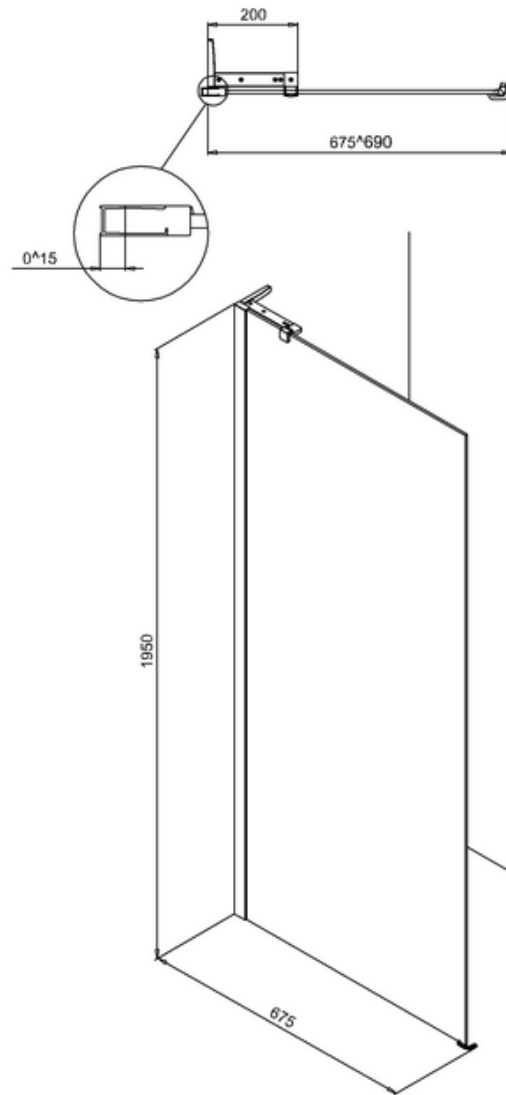
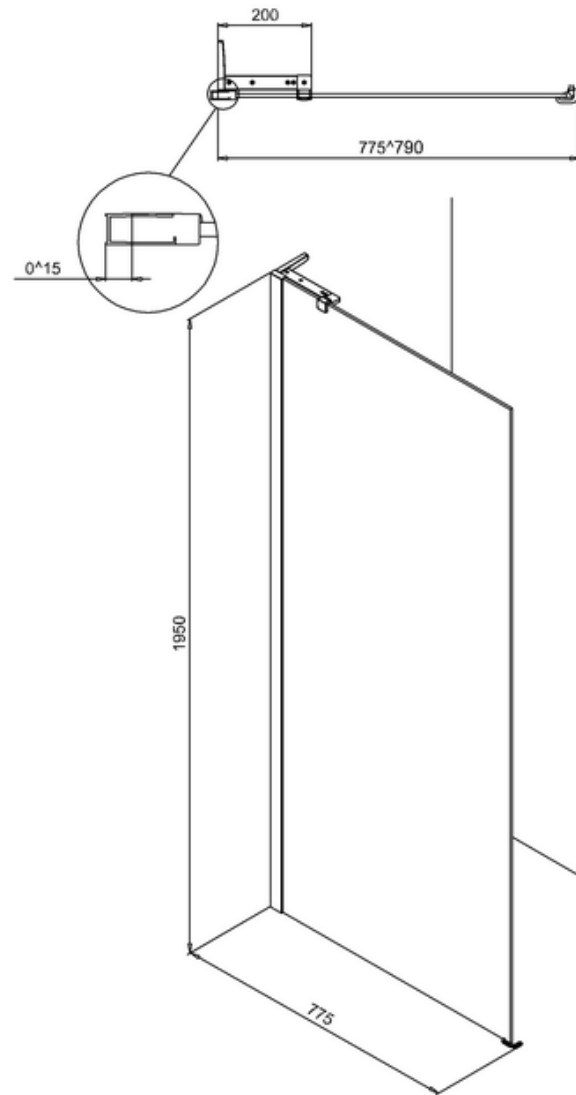


DSPSC0700+ - Side panel 700mm



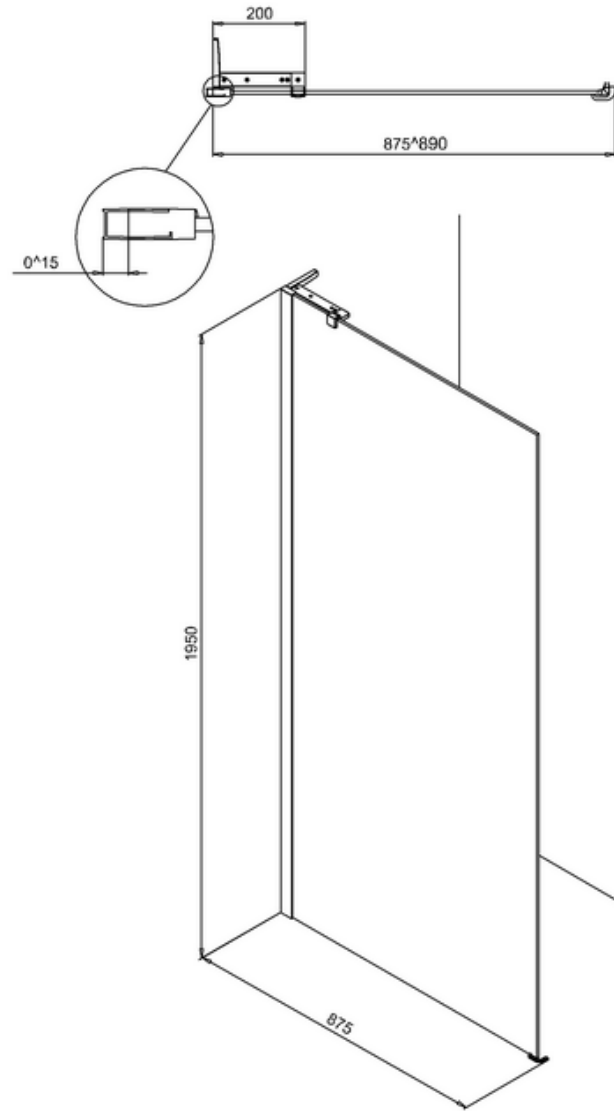
Note:
Whole dimension tolerance is ±5.
Glass dimension tolerance is ±2.

DSPSC0800+ - Side panel 800mm



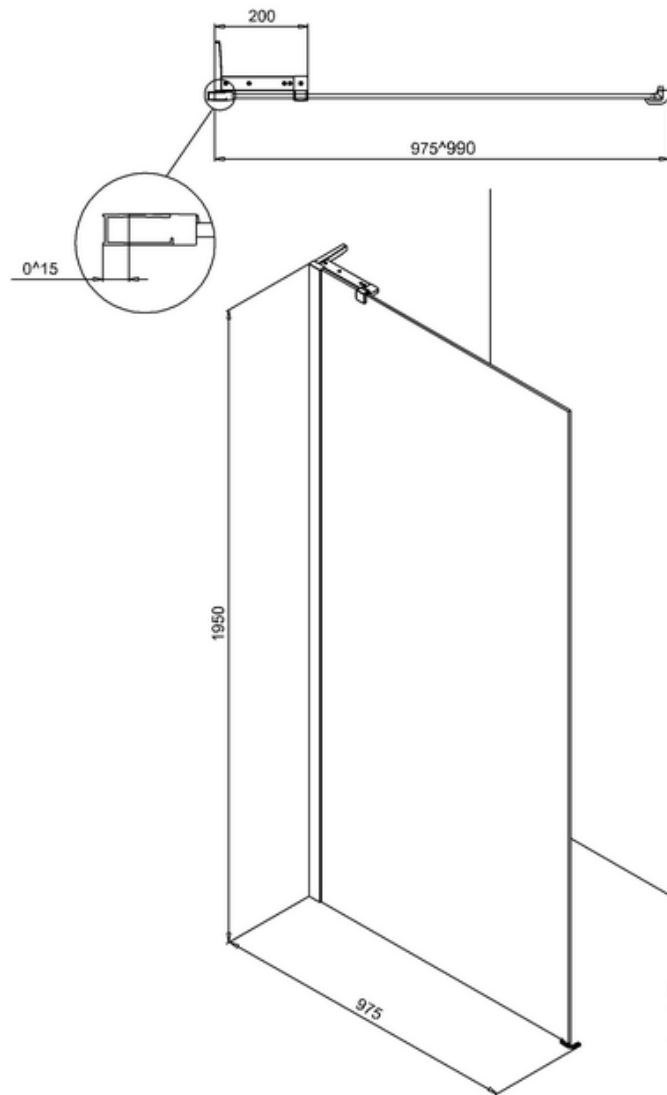
Note:
Whole dimension tolerance is ± 5 .
Glass dimension tolerance is ± 2 .

DSPSC0900+ - Side panel 900mm



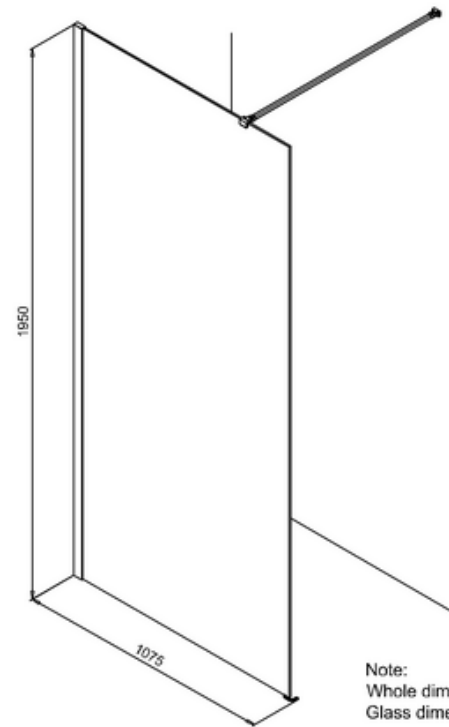
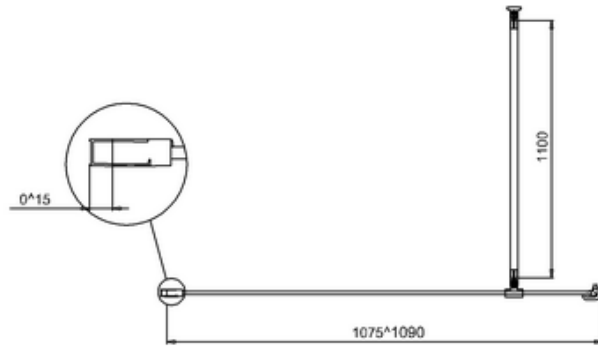
Note:
Whole dimension tolerance is ± 5 .
Glass dimension tolerance is ± 2 .

DSPSC1000+ - Side panel 1000mm



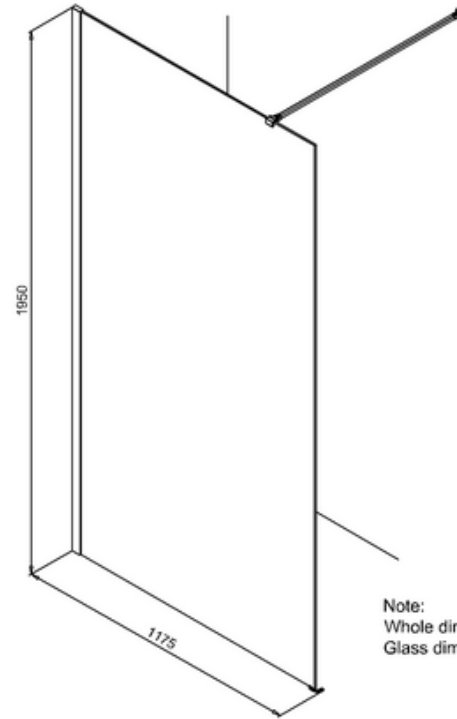
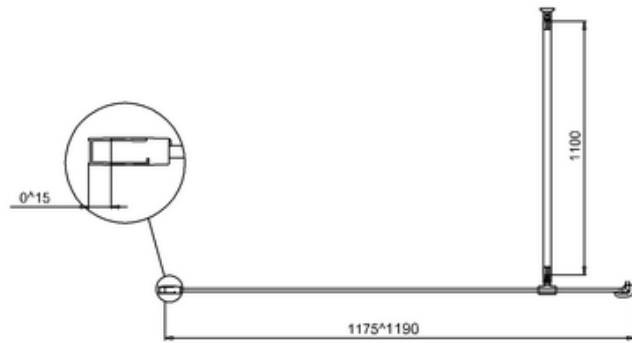
Note:
Whole dimension tolerance is ± 5 .
Glass dimension tolerance is ± 2 .

DSPSC1100+ - Side panel 1100mm



Note:
Whole dimension tolerance is ± 5 .
Glass dimension tolerance is ± 2 .

DSPSC1200+ - Side panel 1200mm



Note:
Whole dimension tolerance is ± 5 .
Glass dimension tolerance is ± 2 .