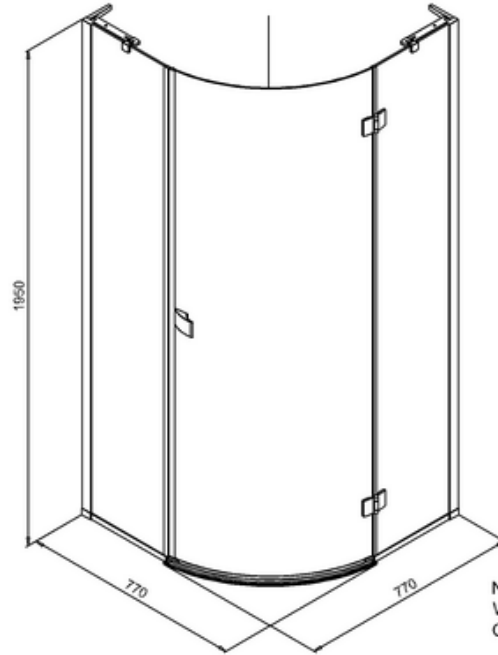
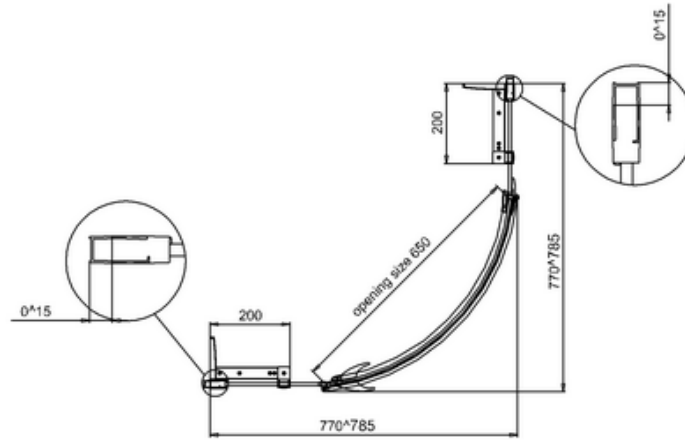


# DQSSC0800+ - Curved Quad with Single Door 800mm



Note:  
Whole dimension tolerance is ±5.  
Glass dimension tolerance is ±2.

# DQSSC0900+ - Curved Quad with Single Door 900mm

