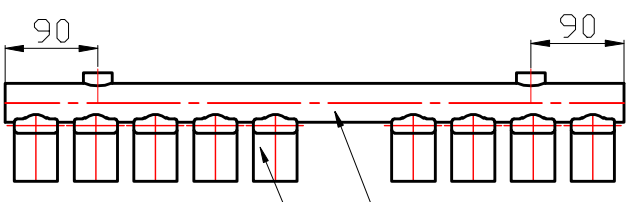
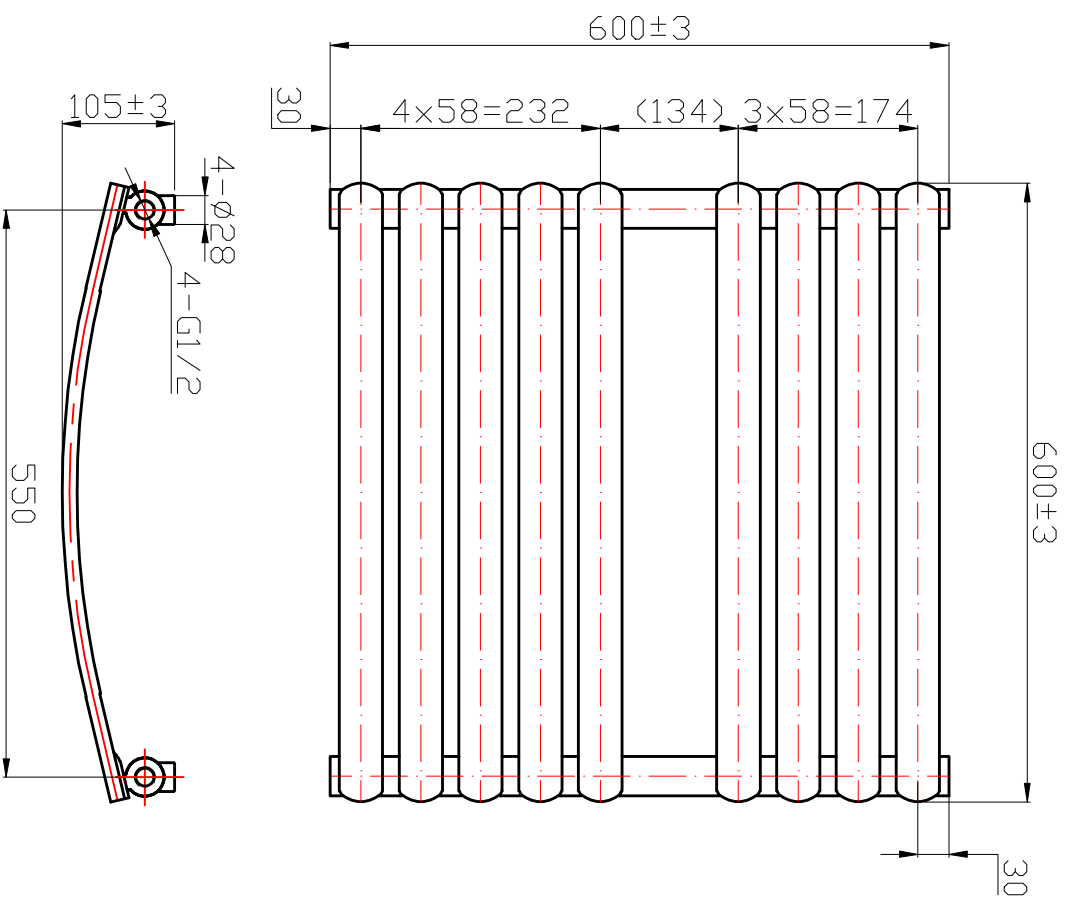


2 Pipes  $\phi 38 \times 1.5$  Tube  
 9 Pipes  $42 \times 14 \times 1.5$  Profile



2 Pipes  $\phi 38 \times 1.5$  Tube  
 9 Pipes  $42 \times 14 \times 1.5$  Profile

