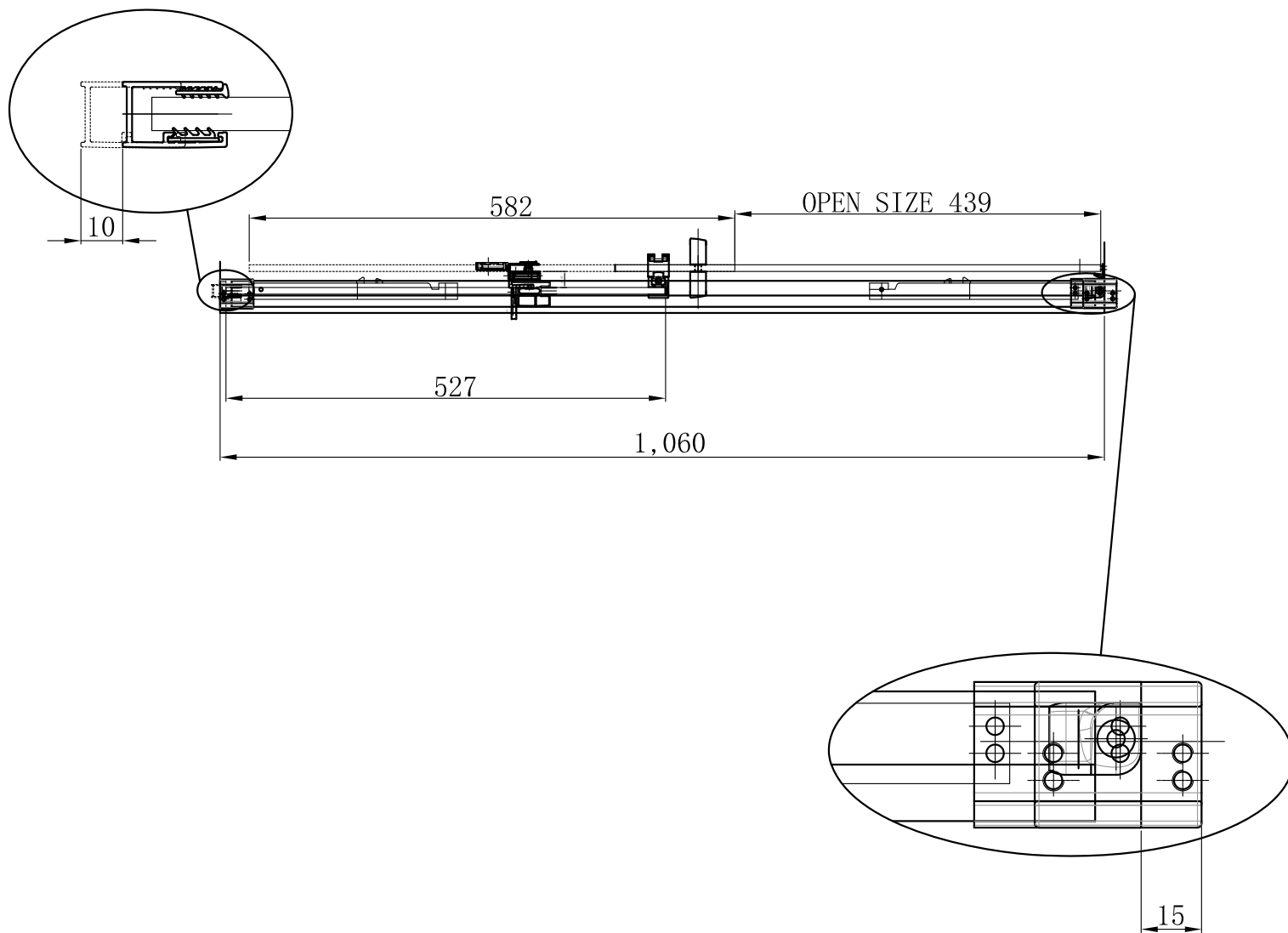
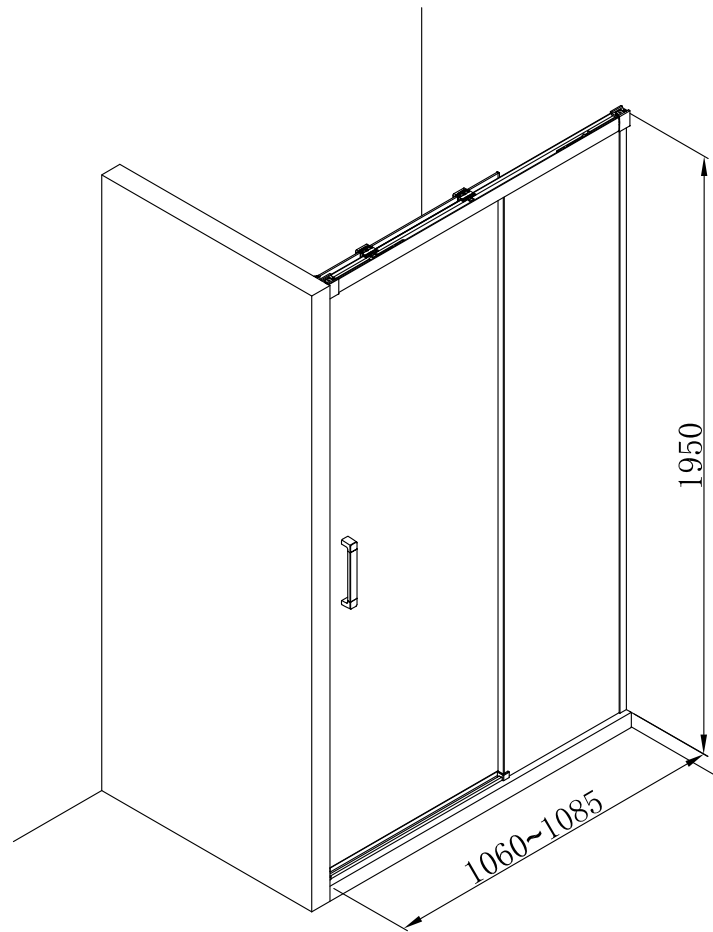
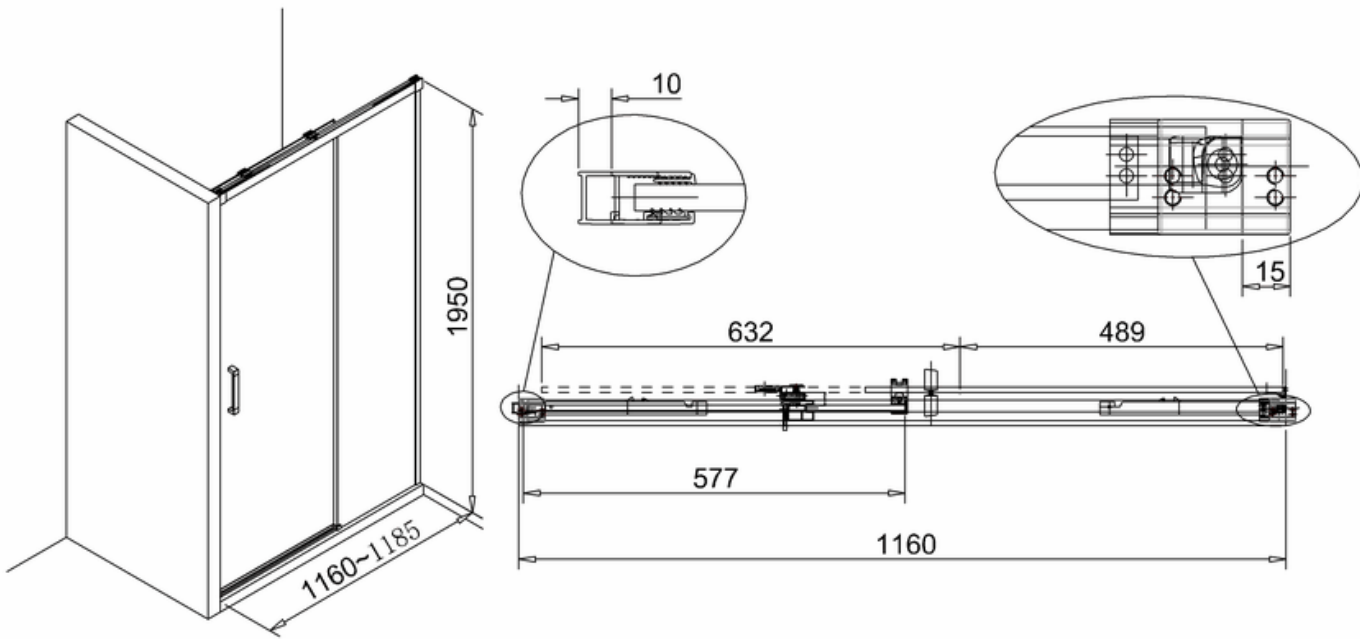


DSLSC1100

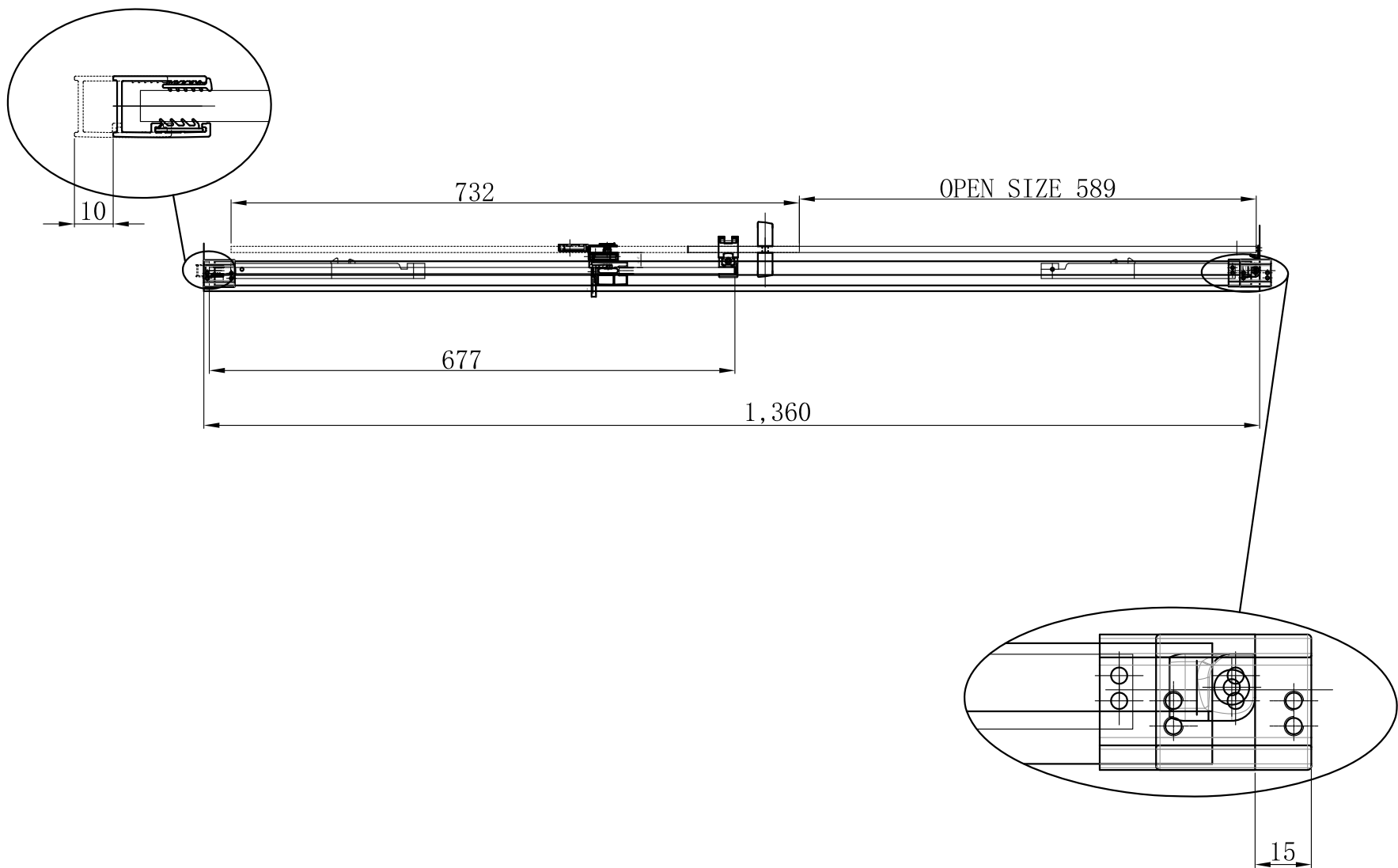
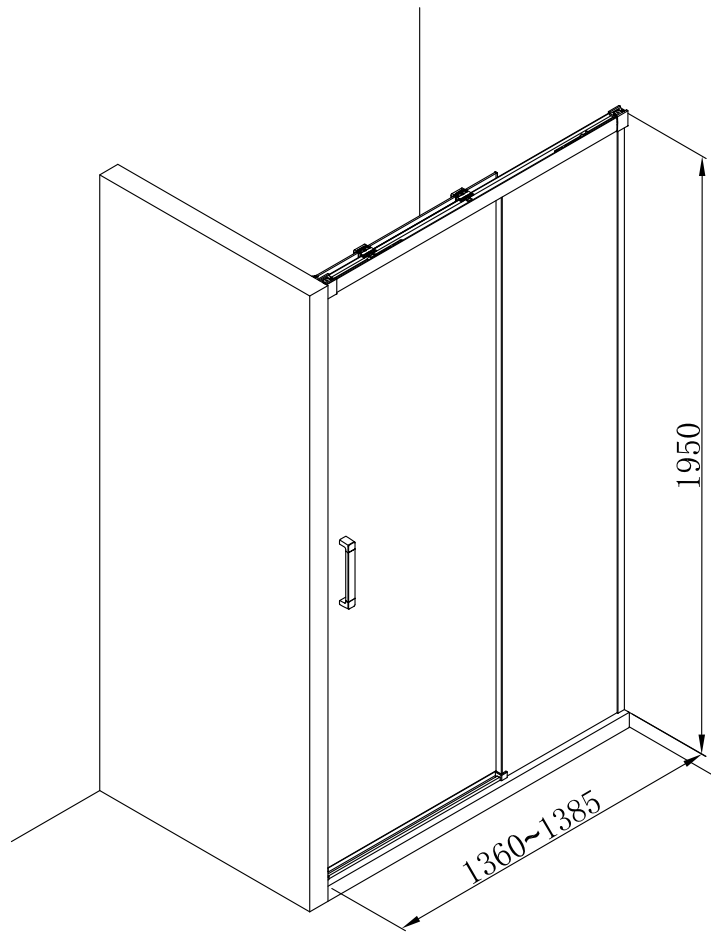
1060x1950



Unit :mm



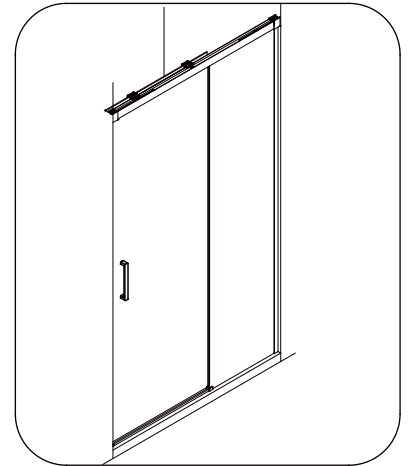
DSLSC1400A
DSLSC1400B
1360x1950



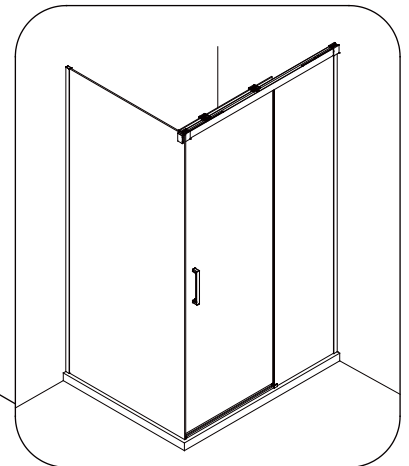
Unit :mm

SOFT CLOSE SLIDING DOOR

DSLSC1100	PRBC1200
DSLSC1200	PRBC1300
DSLSC1400	PRBC1400
DSLSC1500	PRBC1500
DSLSC1600	PRBC1700
DSLSC1700	PRLSP0800BM
DSLSP0800	PRLSP0900BM
DSLSP0900	
DSLSP1000	



SLIDER DOOR IN ALCOVE



SLIDER DOOR & SIDE PANEL

INSTALLATION INSTRUCTIONS

crosswater [®]
SHOWERING

IMPORTANT - Please read before installation

Please read these instructions carefully before starting installation and keep in a safe place for future reference.

Check the contents of the pack carefully before installation. Crosswater will not be held responsible for any de-fit / re-fit costs where faulty product has been fitted.

If any fault is found with materials or workmanship, it must be reported immediately to the manufacturer. Remedial action will be taken, based on information received, on condition that:

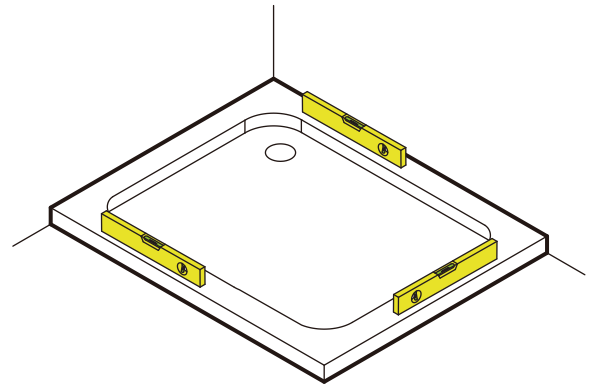
1. Full details are supplied to the manufacturer;
2. The enclosure has not been modified or tampered with;
3. The manufacturer is informed of any damage/shortages prior to installation.

We do not accept responsibility for any problems that may occur through incorrect installation.

The success of the installation and operation of any shower enclosure is, of course, dependant on the squareness, alignment and construction of the walls to which fixing is to be carried out.

VERY IMPORTANT

You must complete all tiling and grouting, and the shower tray **MUST** be level and fully sealed to the tiles before installation. If you do not fit the enclosure onto a tiled surface, or seal the tiles to the tray before installation, water may soak into the wall behind the wall profiles.



INSTALLATION - Advice and safety

These products come with the two wall channels pushed onto each side of the glass panel frame. The side panels do **NOT** come with wall channels, you must use one of the channels from the door.

The installation instructions are based on typical use and conditions.

Please follow the installation instructions relevant to your enclosure.

These hints have been prepared for your guidance, you must exercise due care at all times.

For Health and Safety 2 people must carry out the installation of this enclosure.

Handle glass with care. Although the glass supplied is toughened safety glass (EN12150), impacts can damage both the glass and the frame.

Warning!

Please check for any hidden pipes or cables before drilling holes in the wall.

To stop the drill bit slipping, masking tape can be applied to the tiles when preparing the holes.

When using power tools always follow the manufacturers user instructions.

Do not sit the enclosure on a bed of silicone, as this will also stop any water from draining back into the tray.

DO NOT SEAL THE ENCLOSURE TO THE TRAY ON THE INSIDE.

If the enclosure is sealed to the tray on the inside, any water that may get into the framework will not be able to drain back into the tray, this may cause the enclosure to leak.

Leave the silicone sealant to dry for 24 hours before using the enclosure.

CARE AND CLEANING

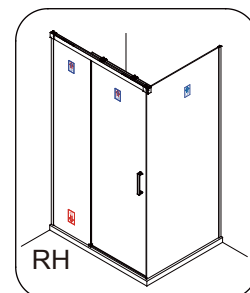
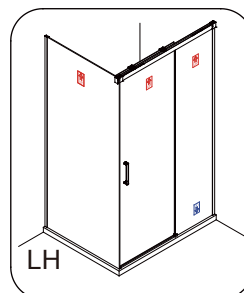
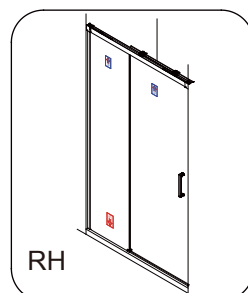
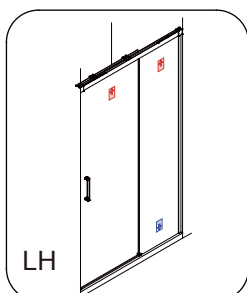
Do not use solvents or abrasive material or chemicals to clean the enclosure.

Only clean using soapy water and a soft cloth, rinse thoroughly afterwards.

INSTALLATION - left & right

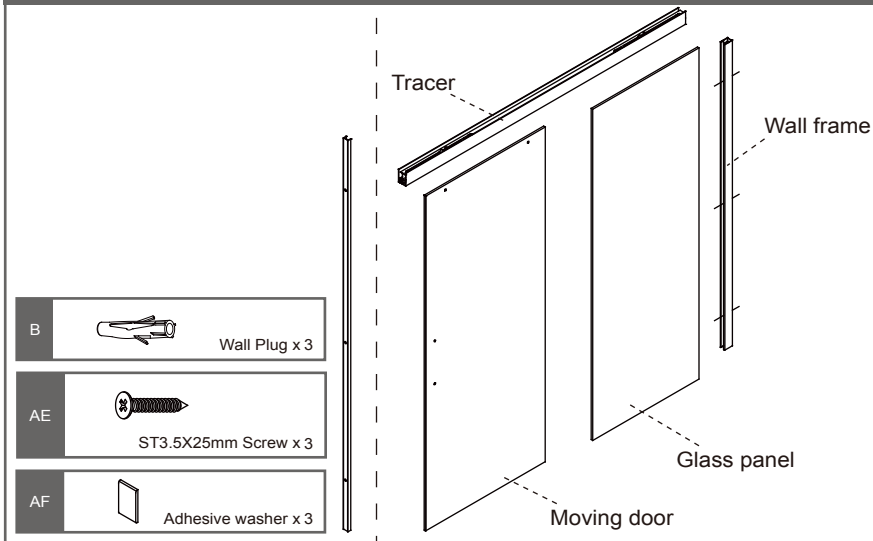
These products are reversible for left or right hand fitting, simply turn the door or panel up side down.

- Left entry, The "up" arrow on the glass should be in red, and be on the outside of the enclosure.
- Right entry, The "up" arrow on the glass should be in blue, and be on the outside of the enclosure.



CONTENTS

DOOR IN ALCOVE



B Wall Plug x 3

AE ST3.5X25mm Screw x 3

AF Adhesive washer x 3

A ST4X40mm Screw x 3

B Wall Plug x 5

C ST4X40mm Screw x 2

D M4X5mm Screw x 4

E Location Plate x 1

F Wall Bracket x 2

G Wall Bracket (LH) x 1

H Wall Bracket (RH) x 1

I Wall Bracket x 1

J Waterproof cap (LH) x 1

K Waterproof cap (RH) x 1

L Waterproof part (LH) x 1

M Waterproof part (RH) x 1

N Glass clip x 1

O Roller x 2

P Roller clip x 2

Q waterproof barrier bar x 1

R Top sealing strip x 1

S Top filler x 1

T Side waterproof strip x 1

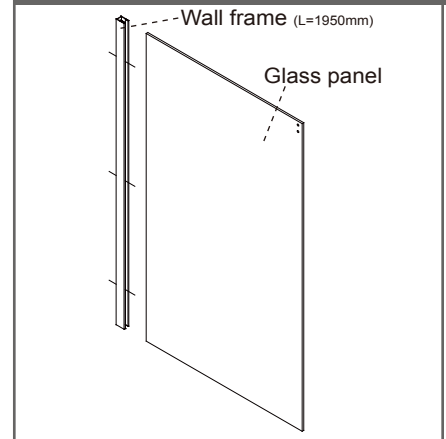
U Wall frame sealing strip x 1

V Handle x 1

W 2.5mm Allen key x 1

X 3mm Allen key x 1

SIDE PANEL



A ST4X40mm Screw x 2

B Wall Plug x 2

AA Top Cap x 1

AB Screw Cap x 1

AC L=1950mm Sealing strip x 1

AD Glass clip set x 1

Y 4mm Allen key x 1

Z Cleaning Wipe x 1

AG Glass clip x 1

AH Waterproof part (LH) x 1

AI Waterproof part (RH) x 1

AJ Waterproof strip x 1

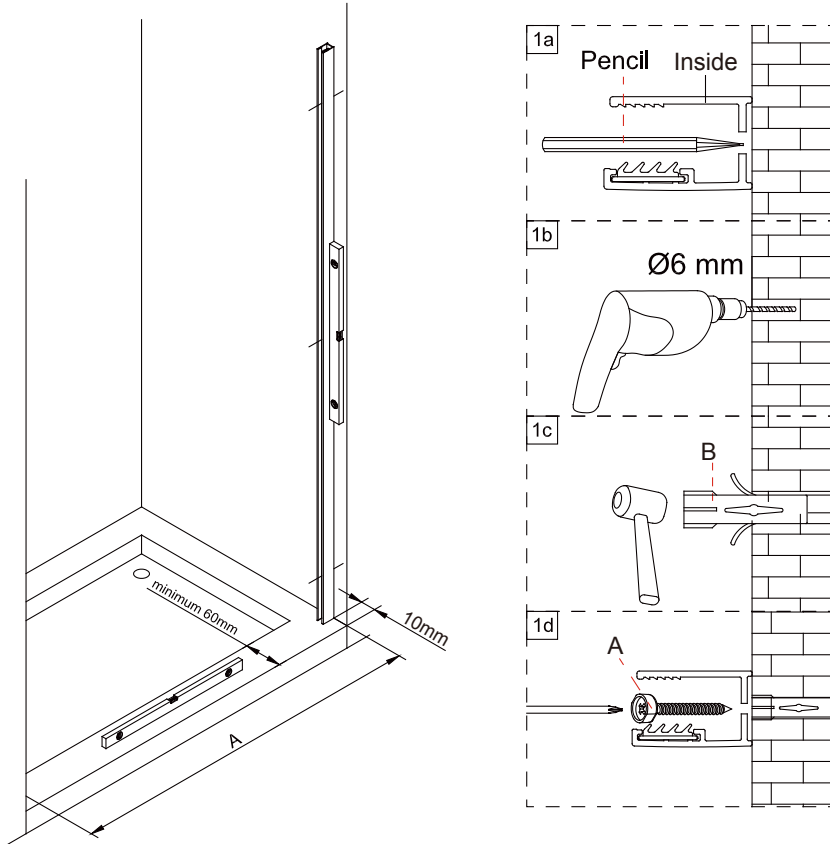
Tools and equipment needed

Drill, 6mm Masonry drill bit, Cross Philips screwdriver, Slotted Philips screwdriver, Spirit level, Pencil, Tape measure, Pincers, Silicone sealant, Knife, Rubber Mallet, Wood, Fine Tooth Saw.

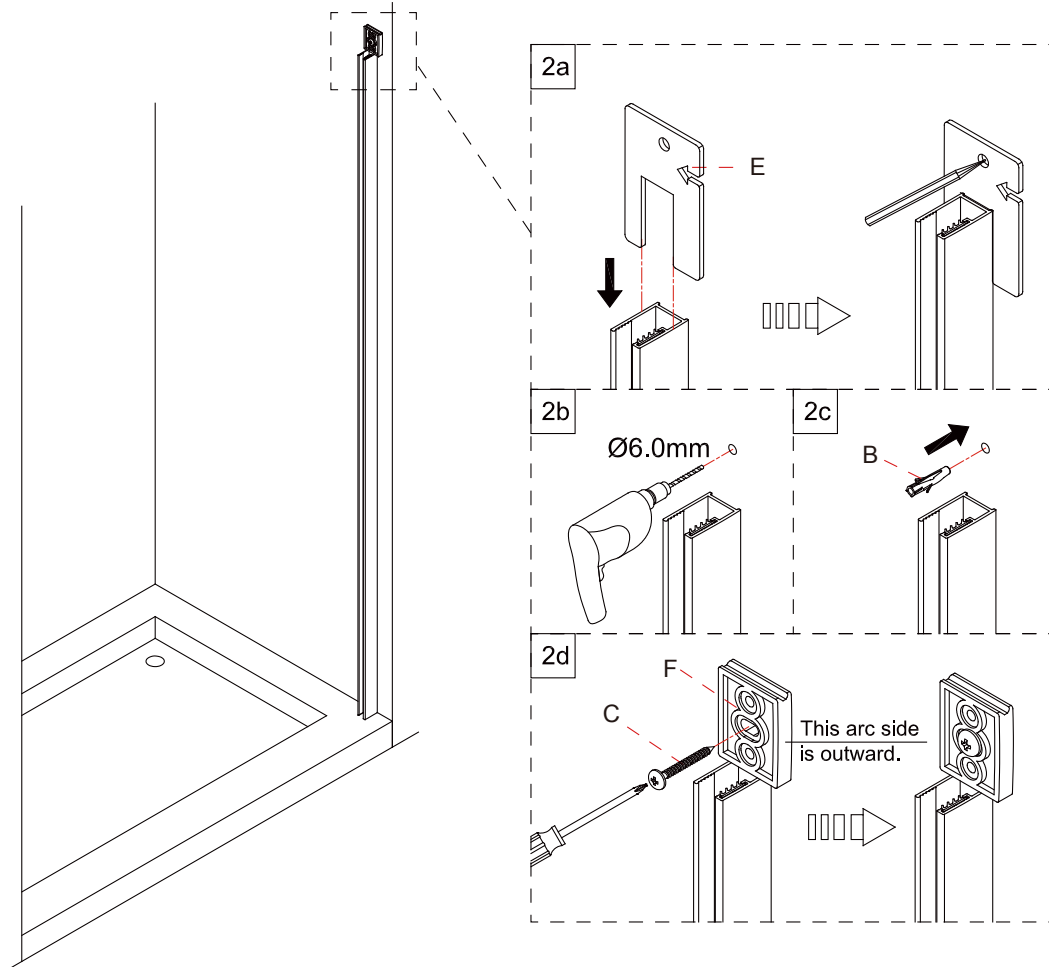
SLIDING DOOR IN ALCOVE

Step 1

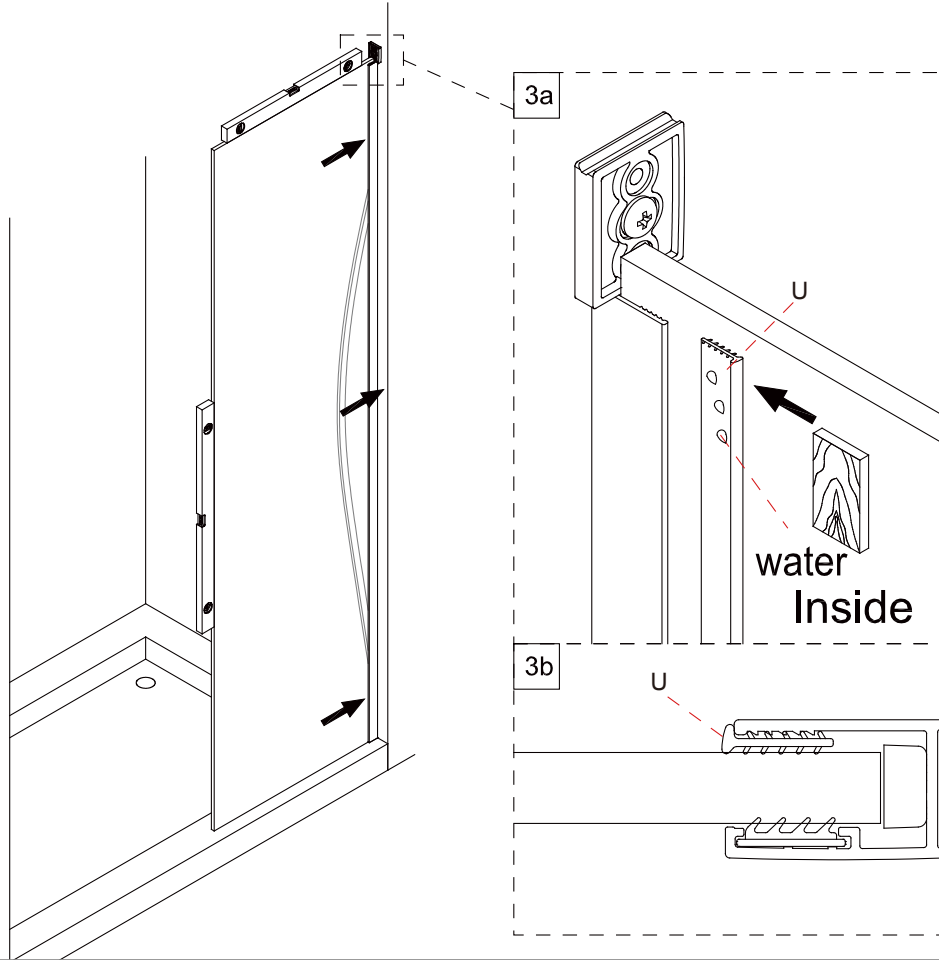
Model	A (mm)
DSLSC1100	1060-1085
DSLSC1200	1160-1185
DSLSC1400	1360-1385
DSLSC1500	1460-1485
DSLSC1600	1560-1585
DSLSC1700	1660-1685
PRCBC1200	1160-1185
PRCBC1300	1260-1285
PRCBC1400	1360-1385
PRCBC1500	1460-1485
PRCBC1700	1660-1685



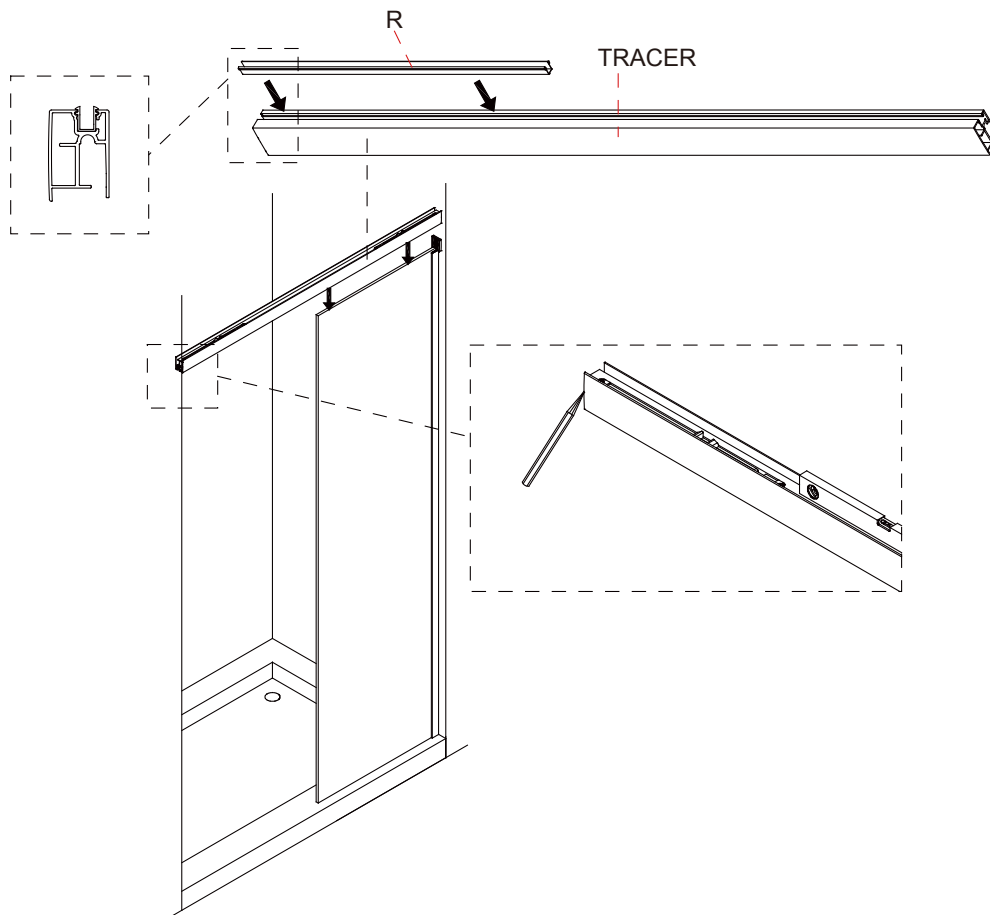
Step 2



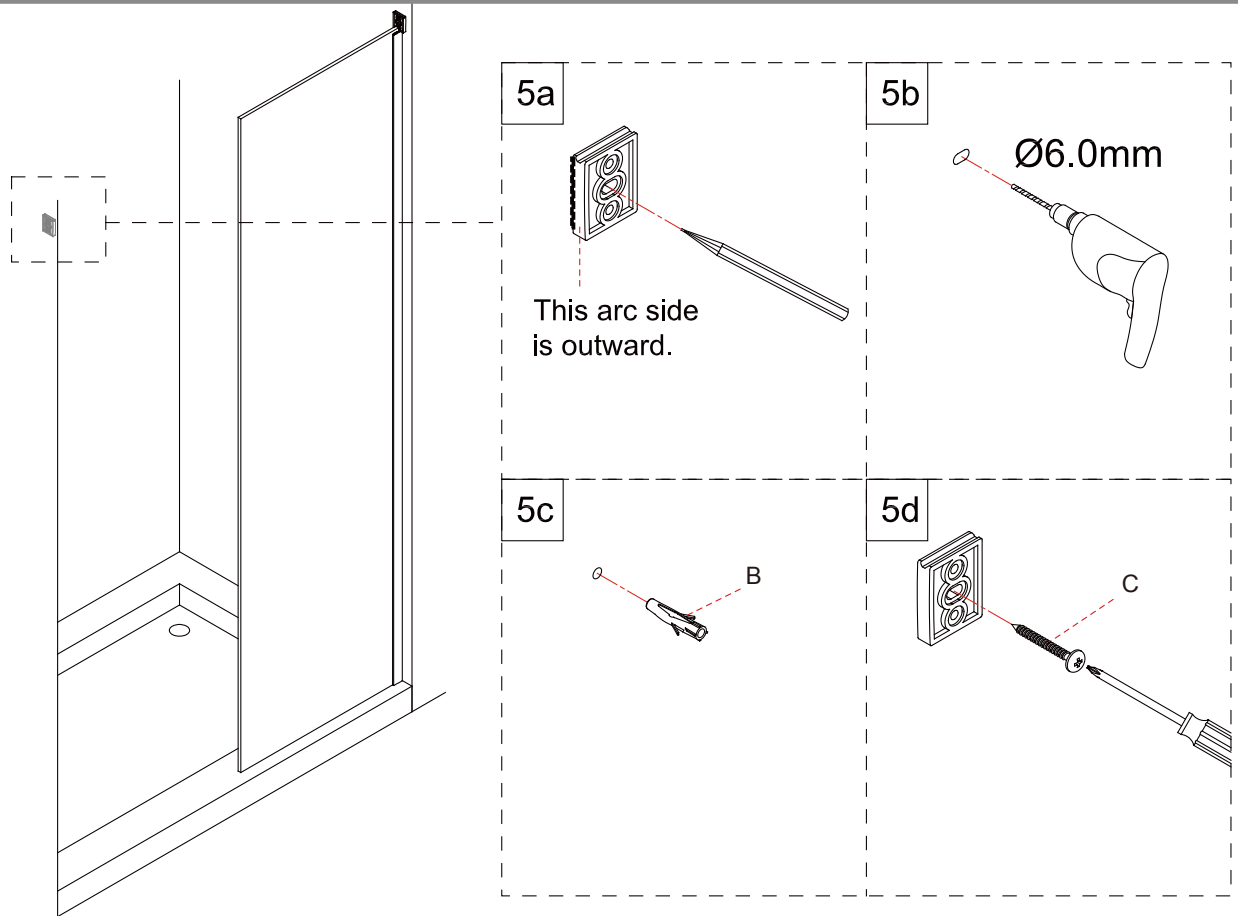
Step 3



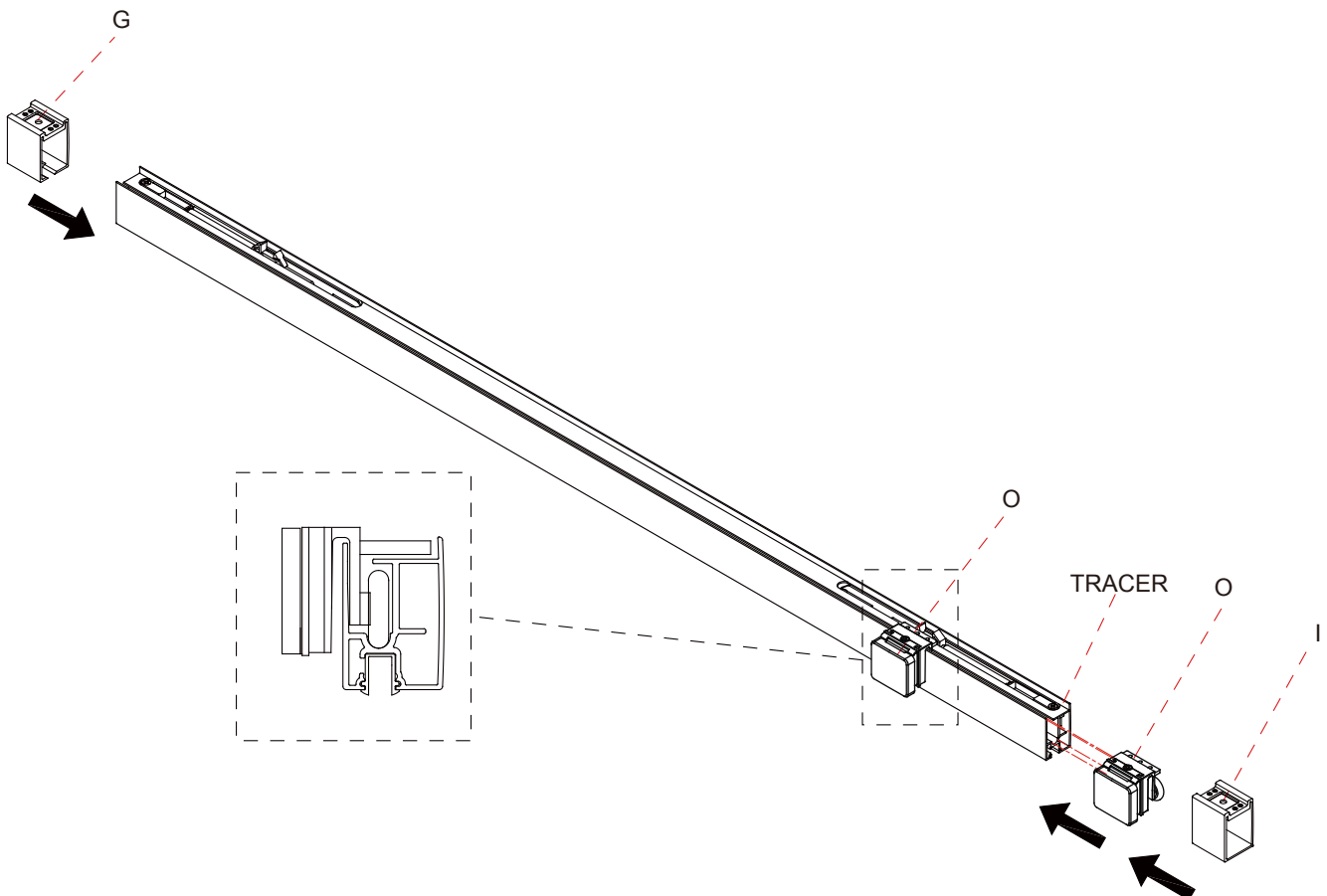
Step 4



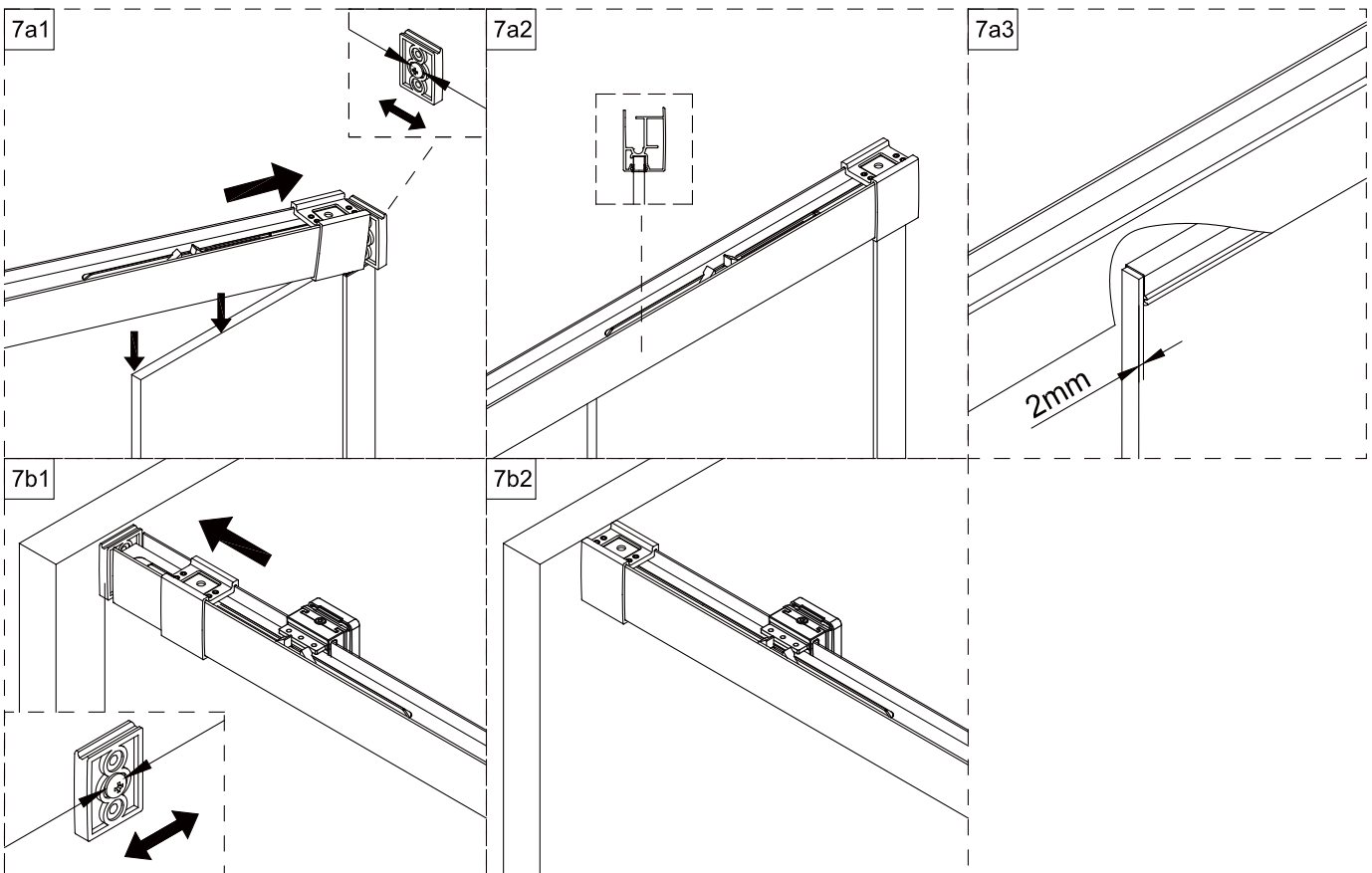
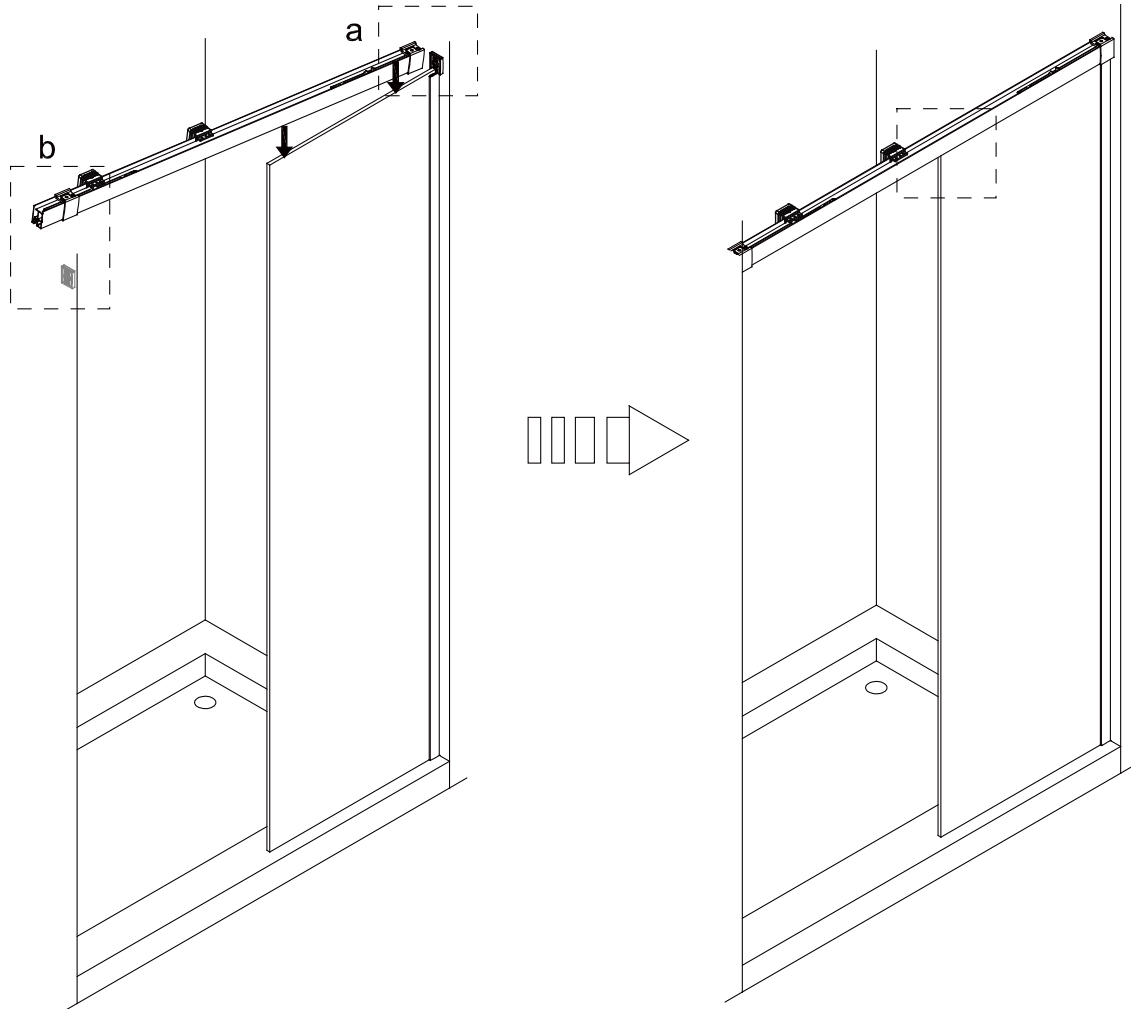
Step 5



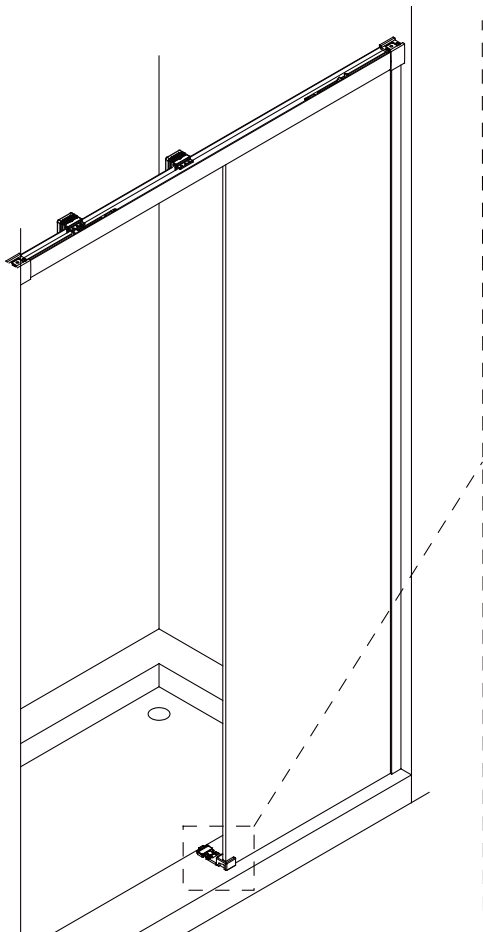
Step 6



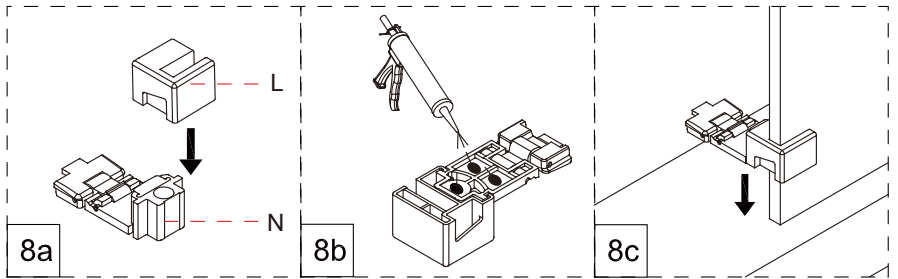
Step 7



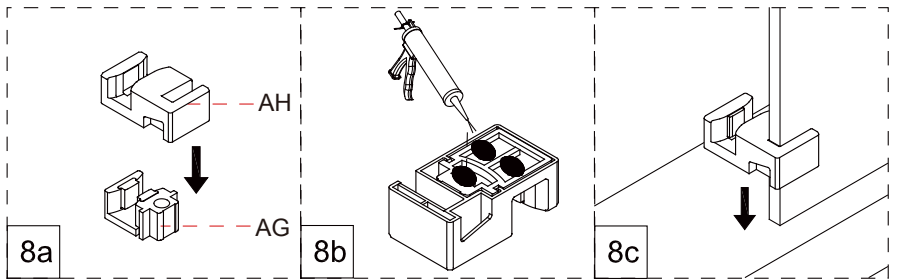
Step 8



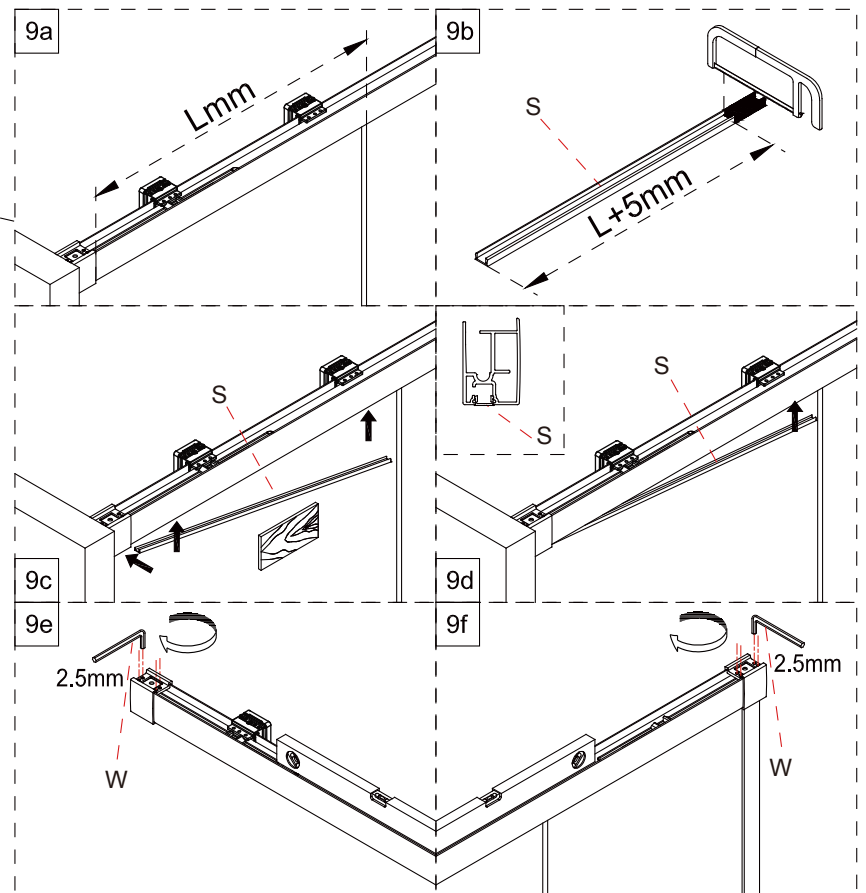
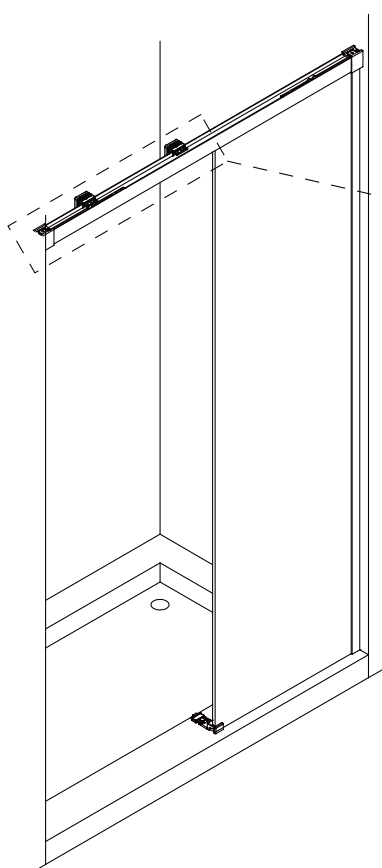
Installation method 1:



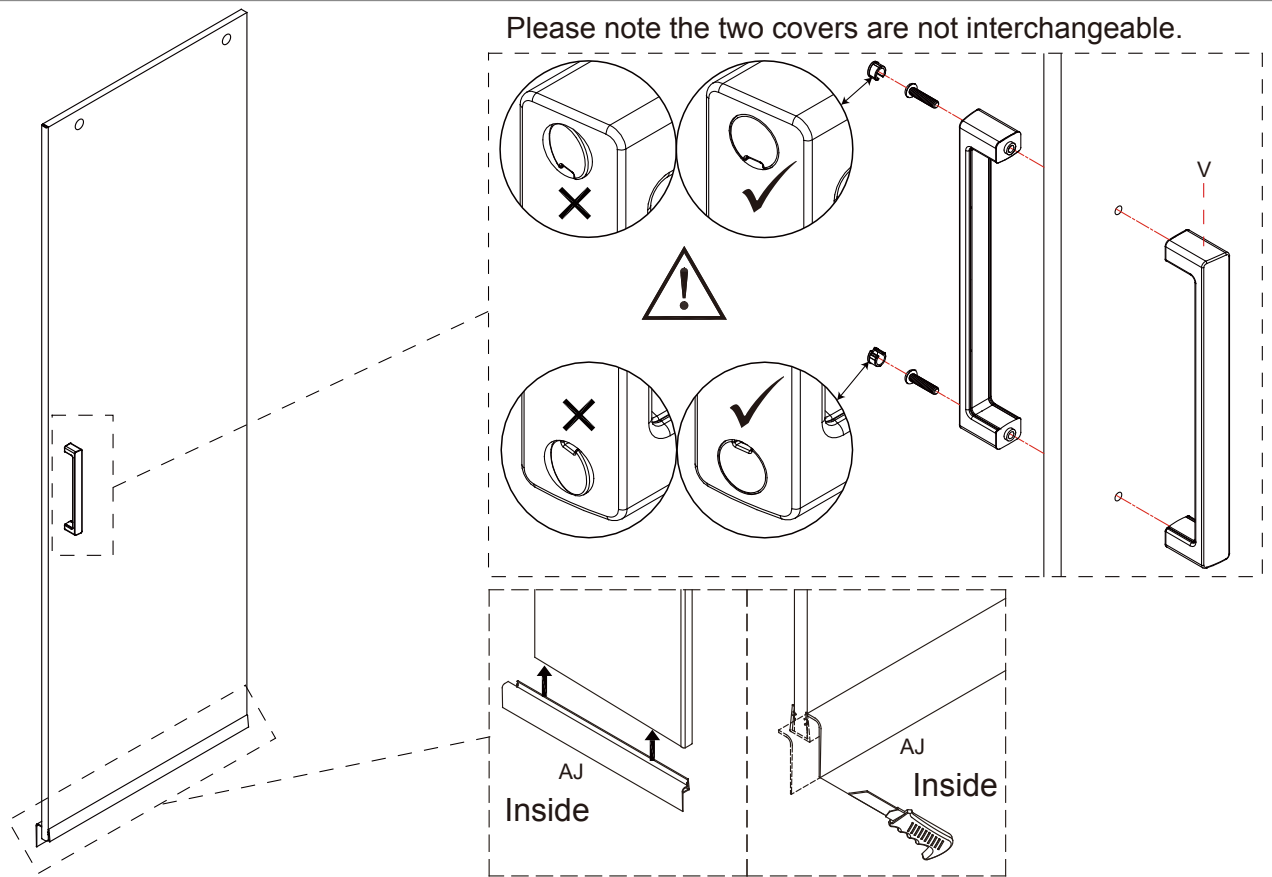
Installation method 2:



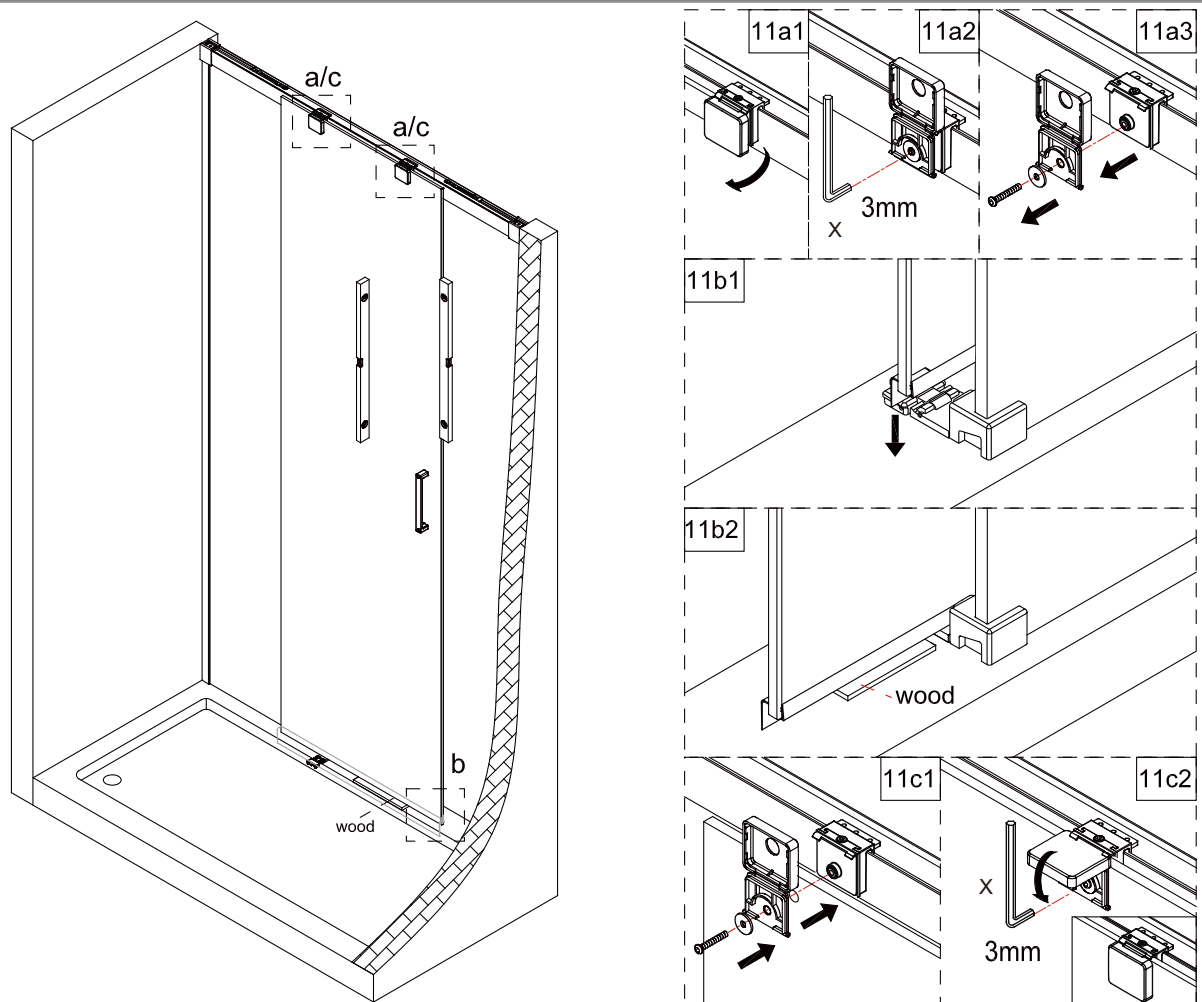
Step 9



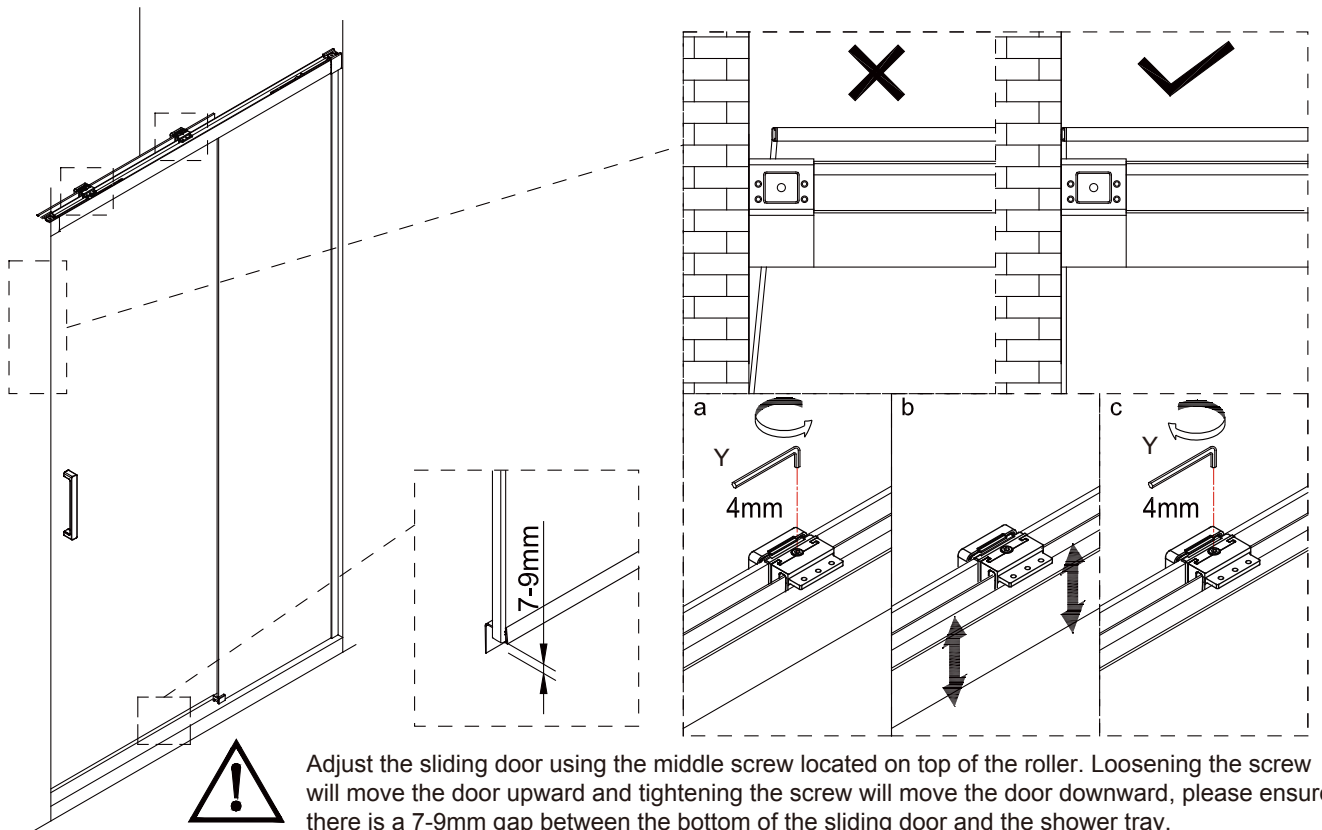
Step 10



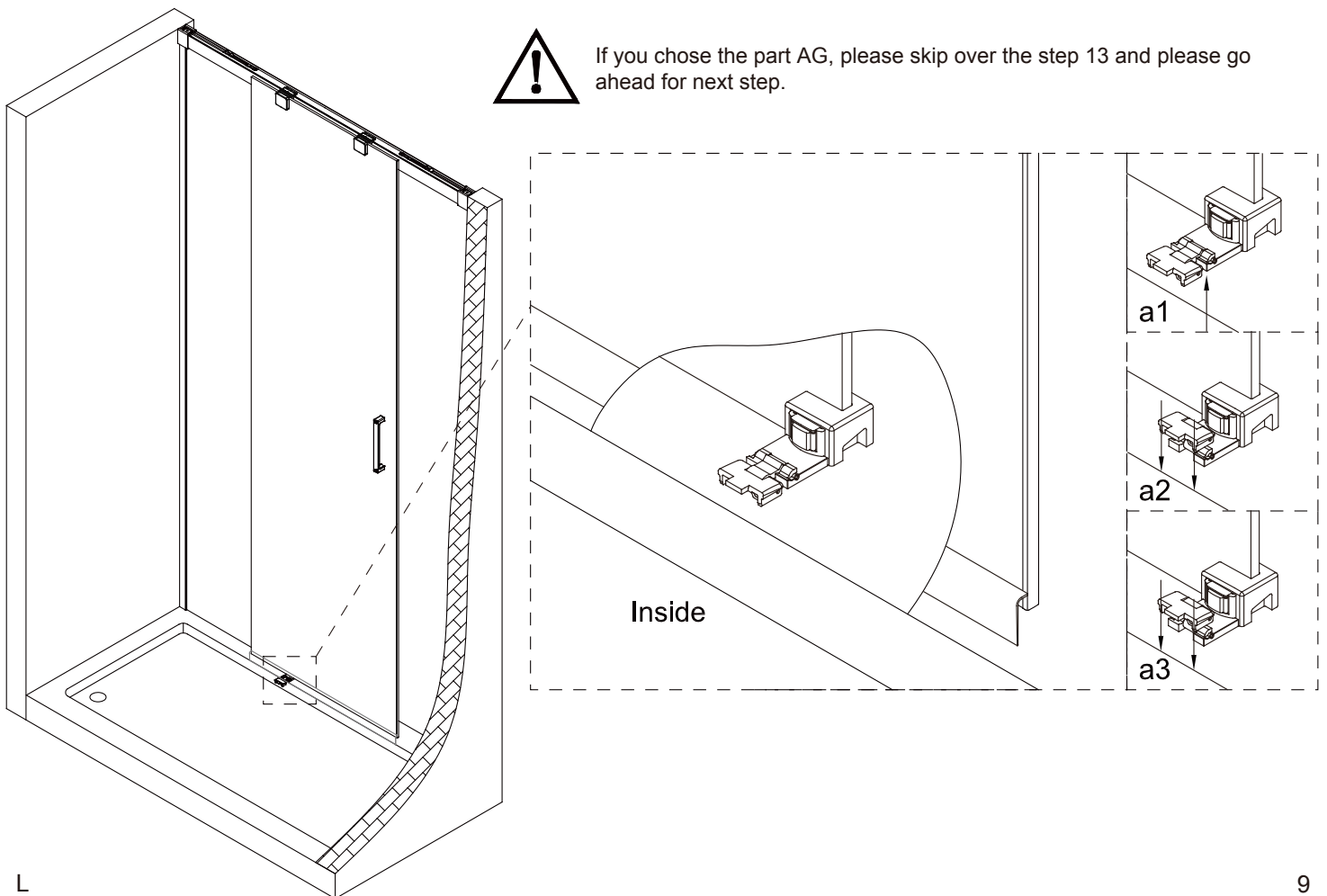
Step 11



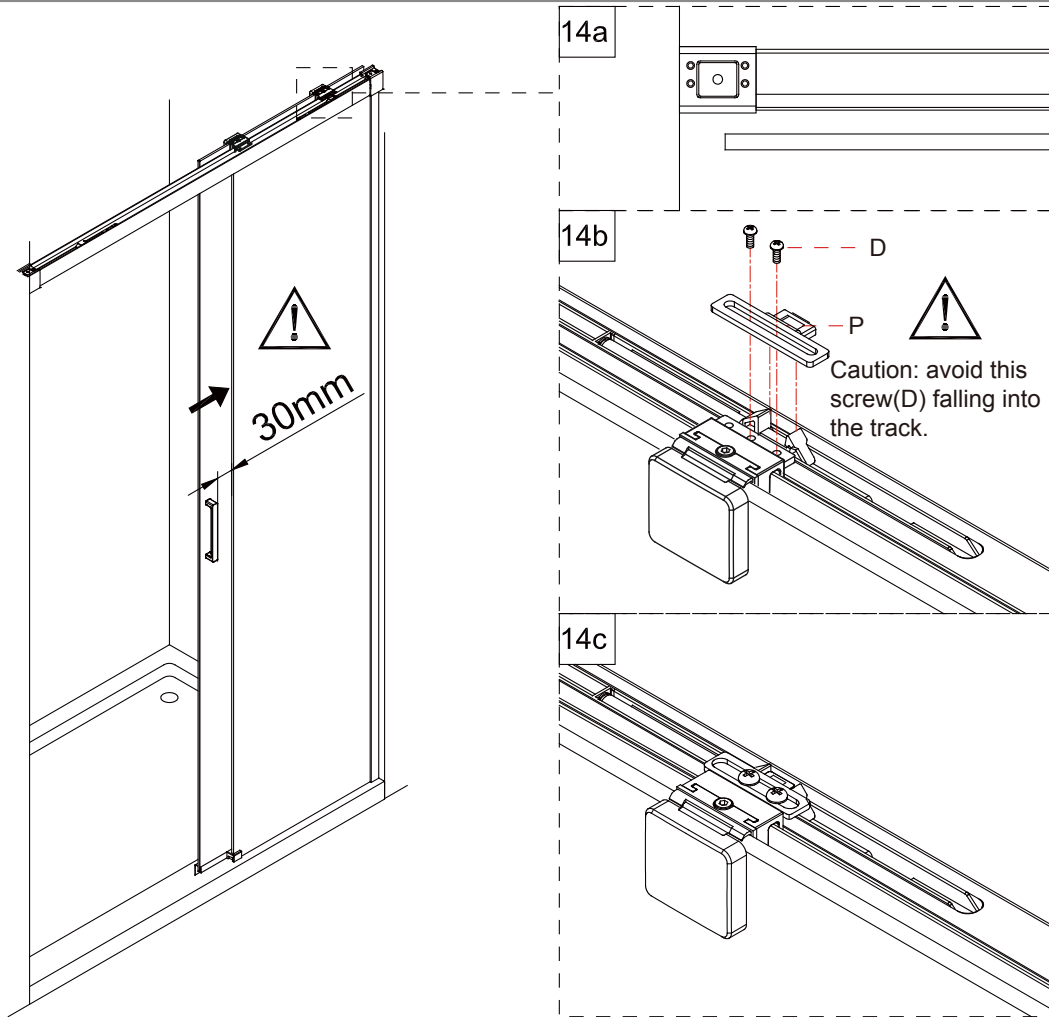
Step 12 - Only if adjustment is required!



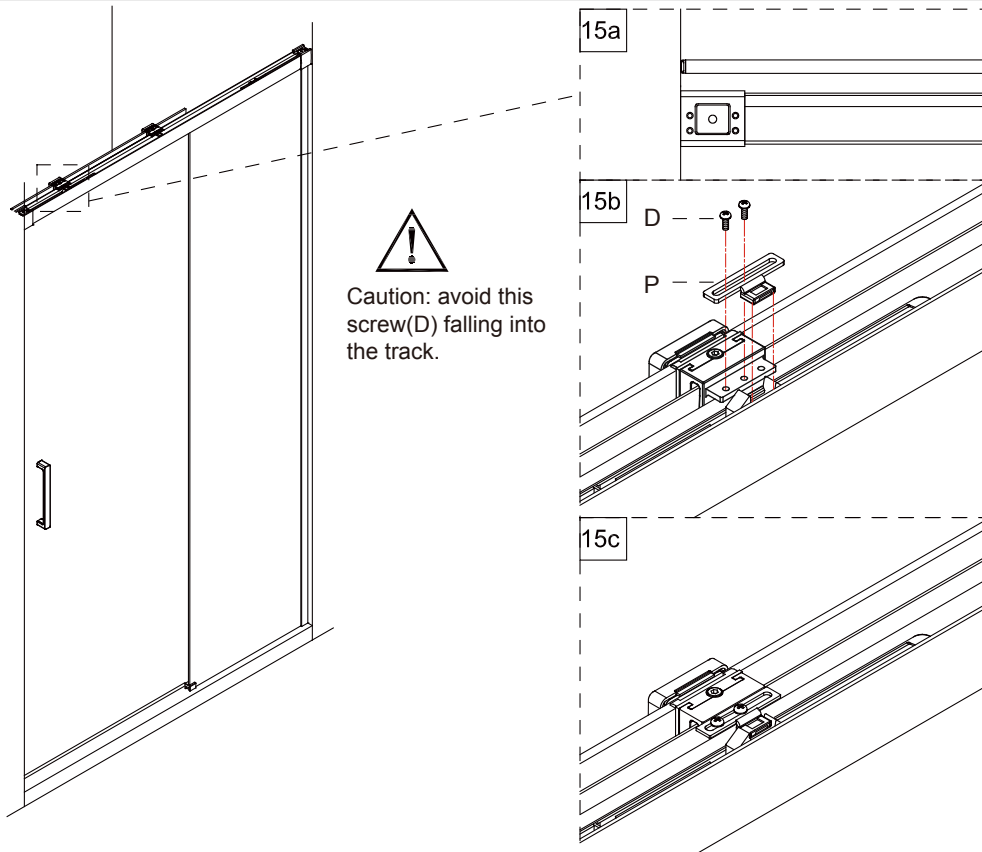
Step 13



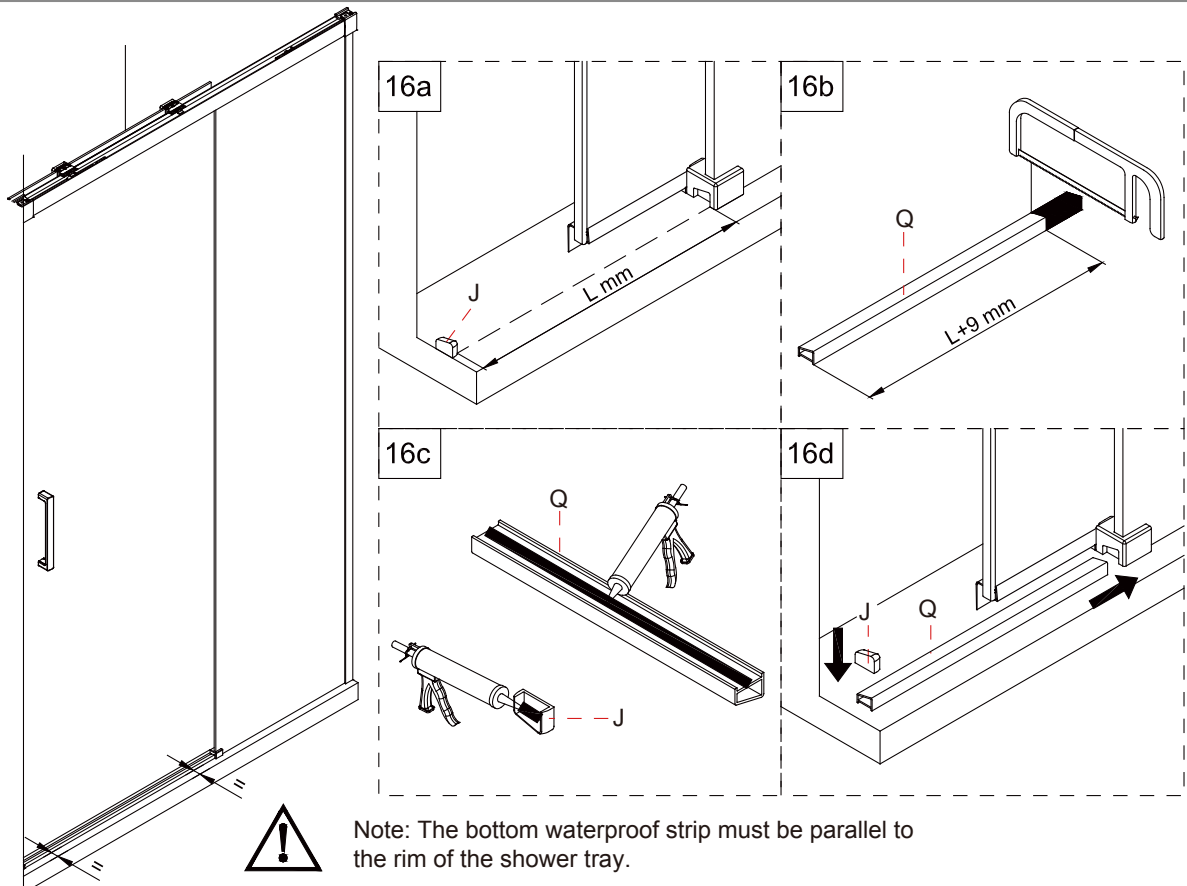
Step 14



Step 15



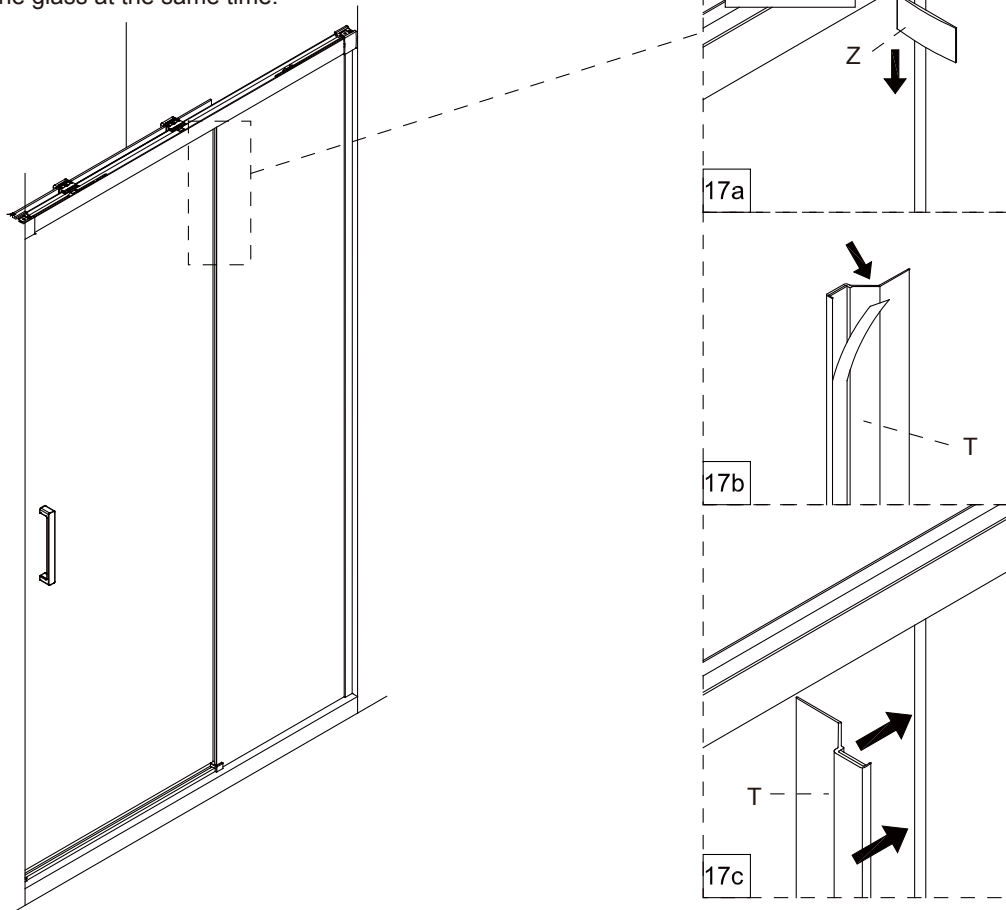
Step 16



Step 17



Clean any grease or debris from the edge of the glass using the Cleaning Wipe (Z). When (Z) dry, remove the protective film from the waterproof strip and stick the waterproof strip along the edge of the glass at the same time.

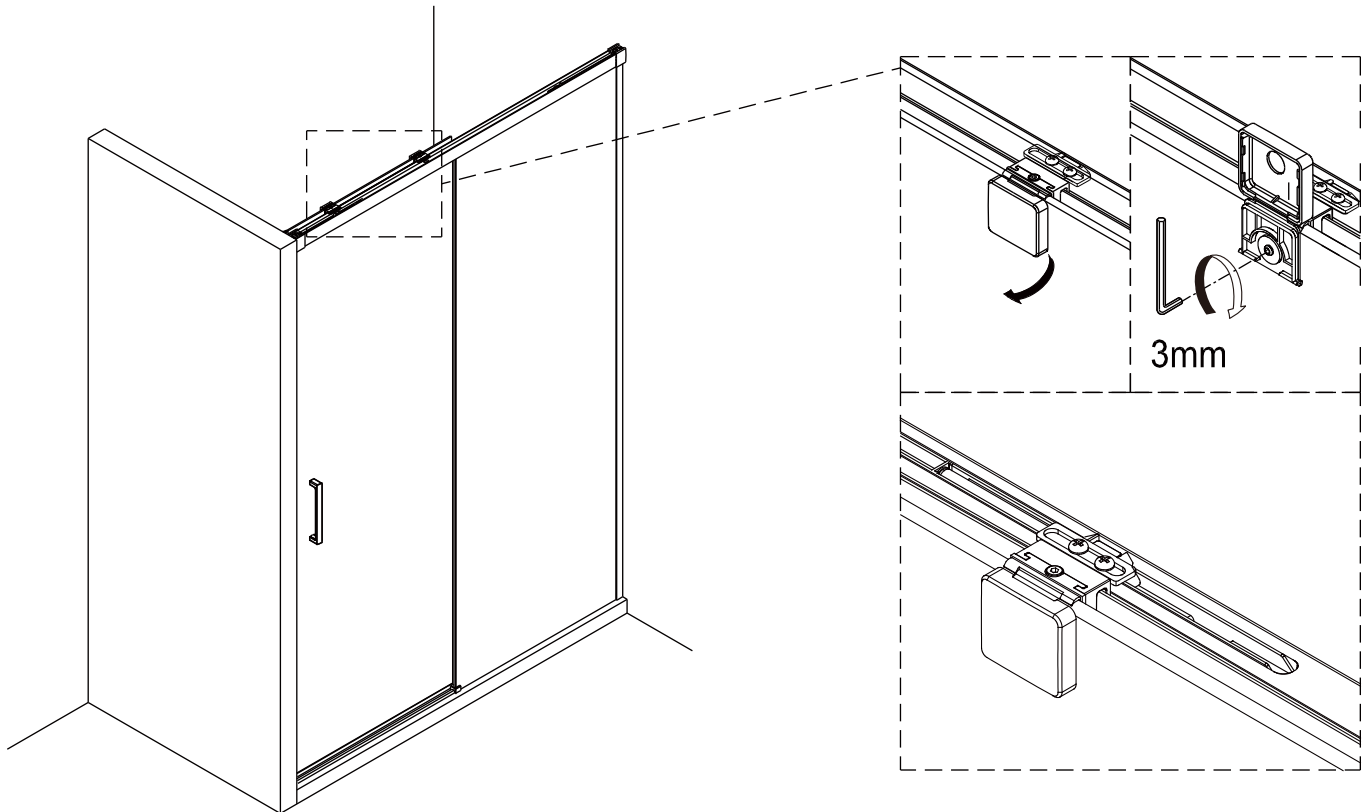


Step 18 Trouble Shooting

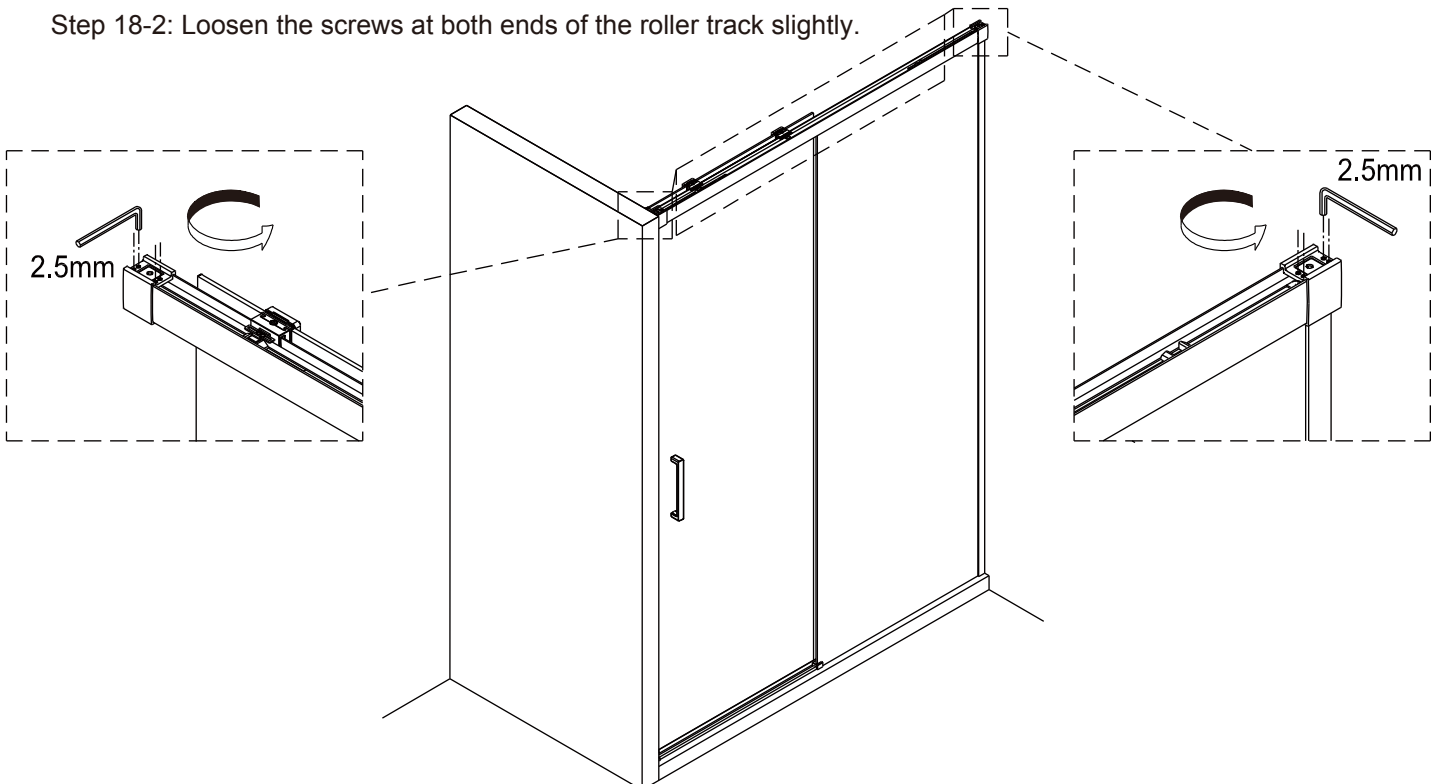


If the slider has a grinding noise during operation, please refer to below instruction to resolve.
If the roller track contacts with the roller holder, then it will have a grinding noise during sliding.
To fix, please follow the below steps:

Step 18-1: Ensure that the screw on the roller is fully tightened.

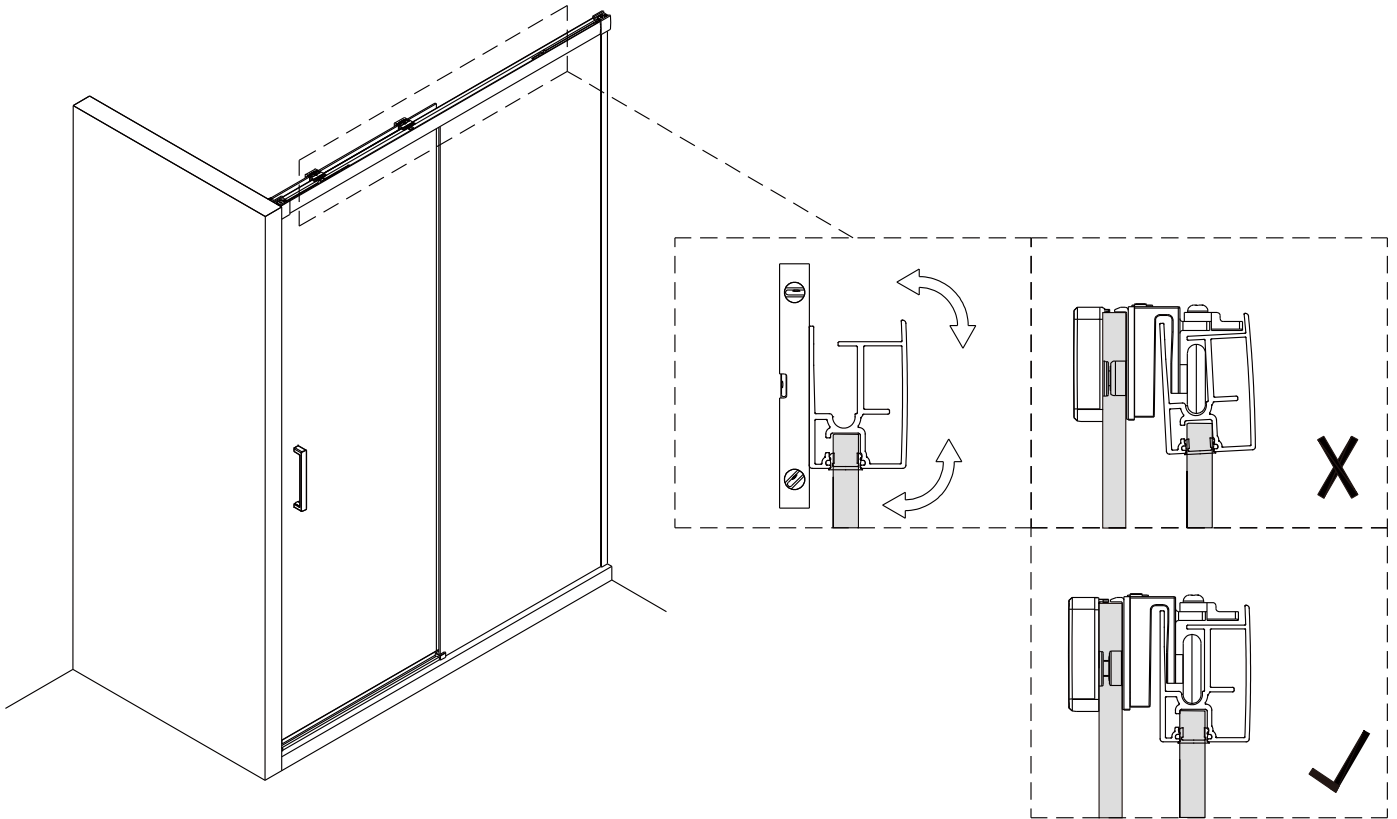


Step 18-2: Loosen the screws at both ends of the roller track slightly.

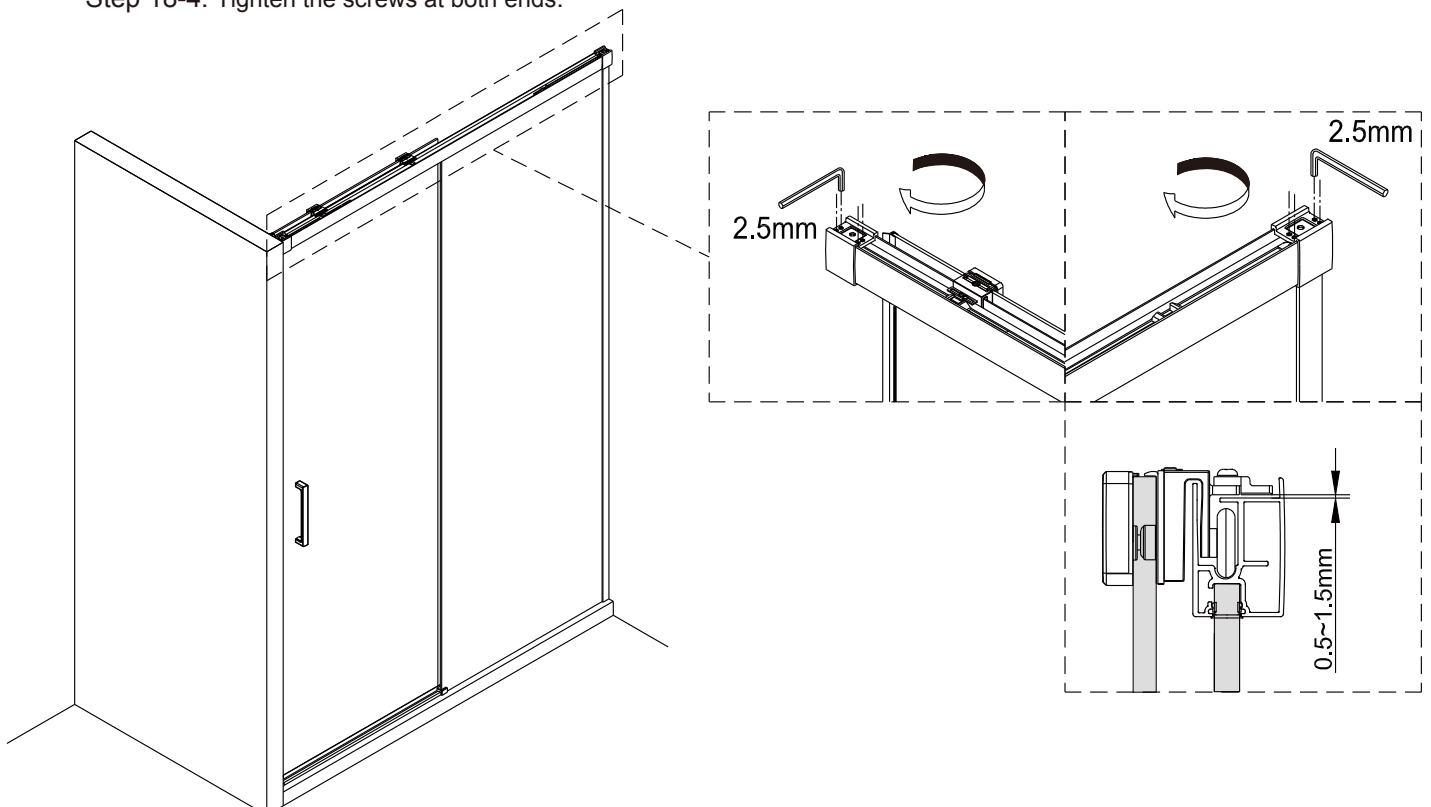


Step 18 Trouble Shooting

Step 18-3: Slightly adjust the roller track, ensure that the track is in the center of the groove, and it does not contact with the groove.

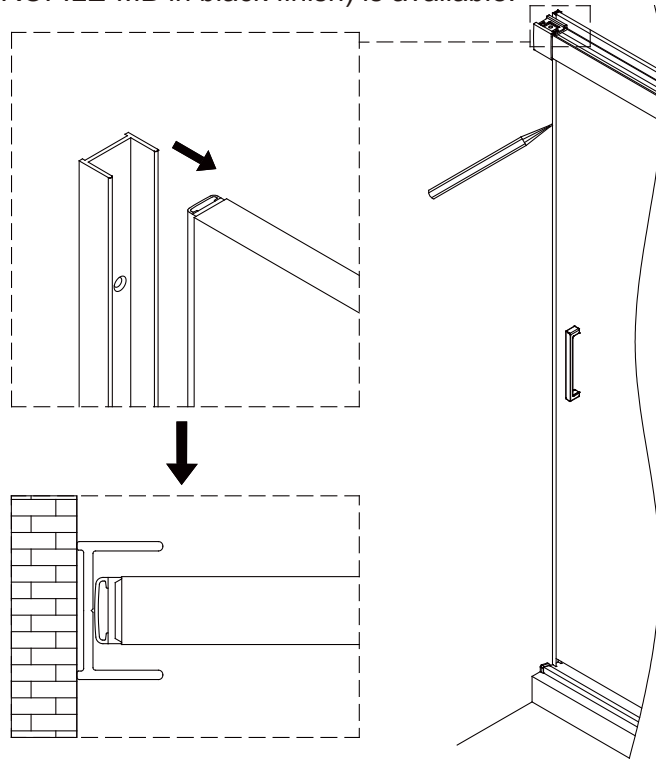


Step 18-4: Tighten the screws at both ends.

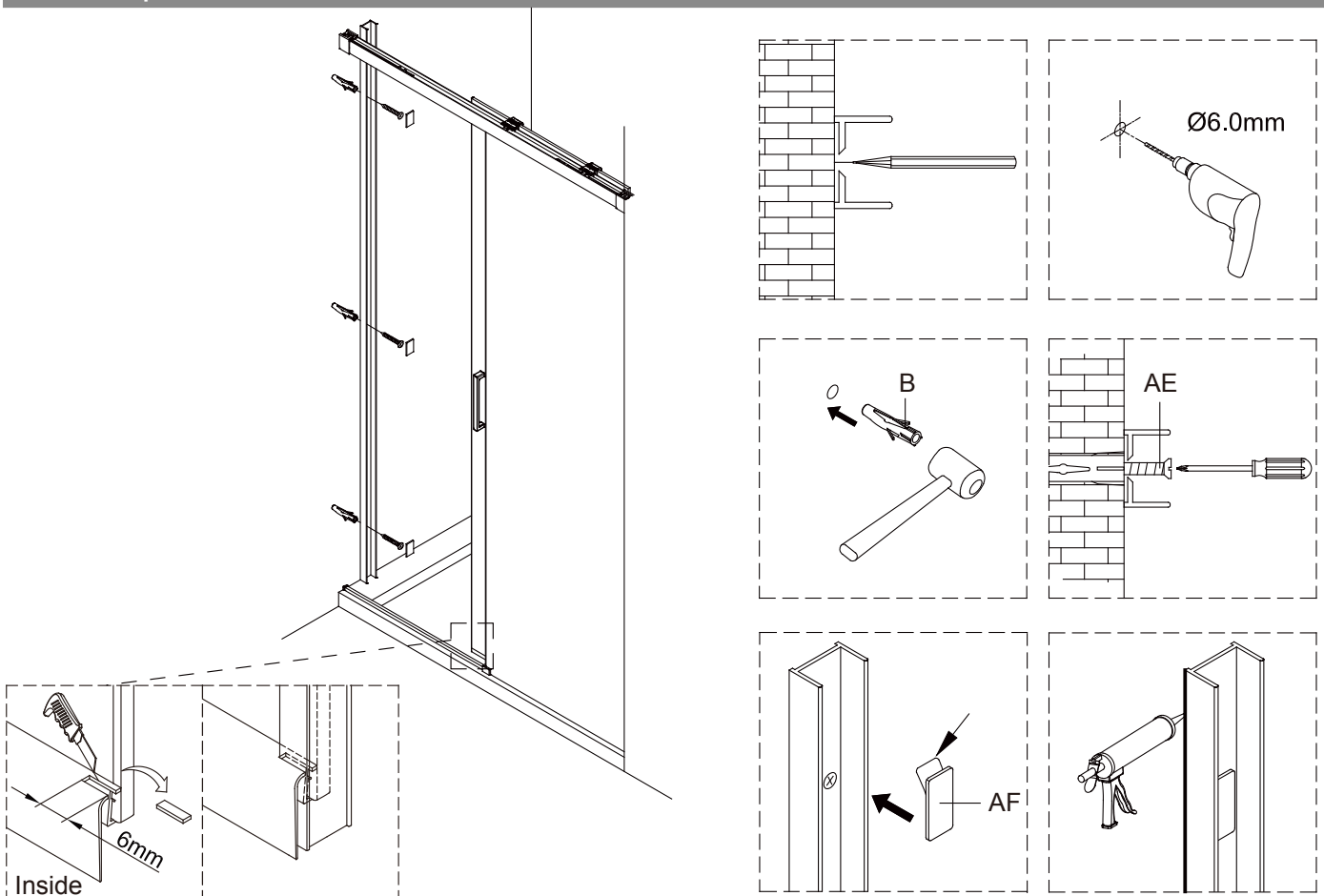


Step 19

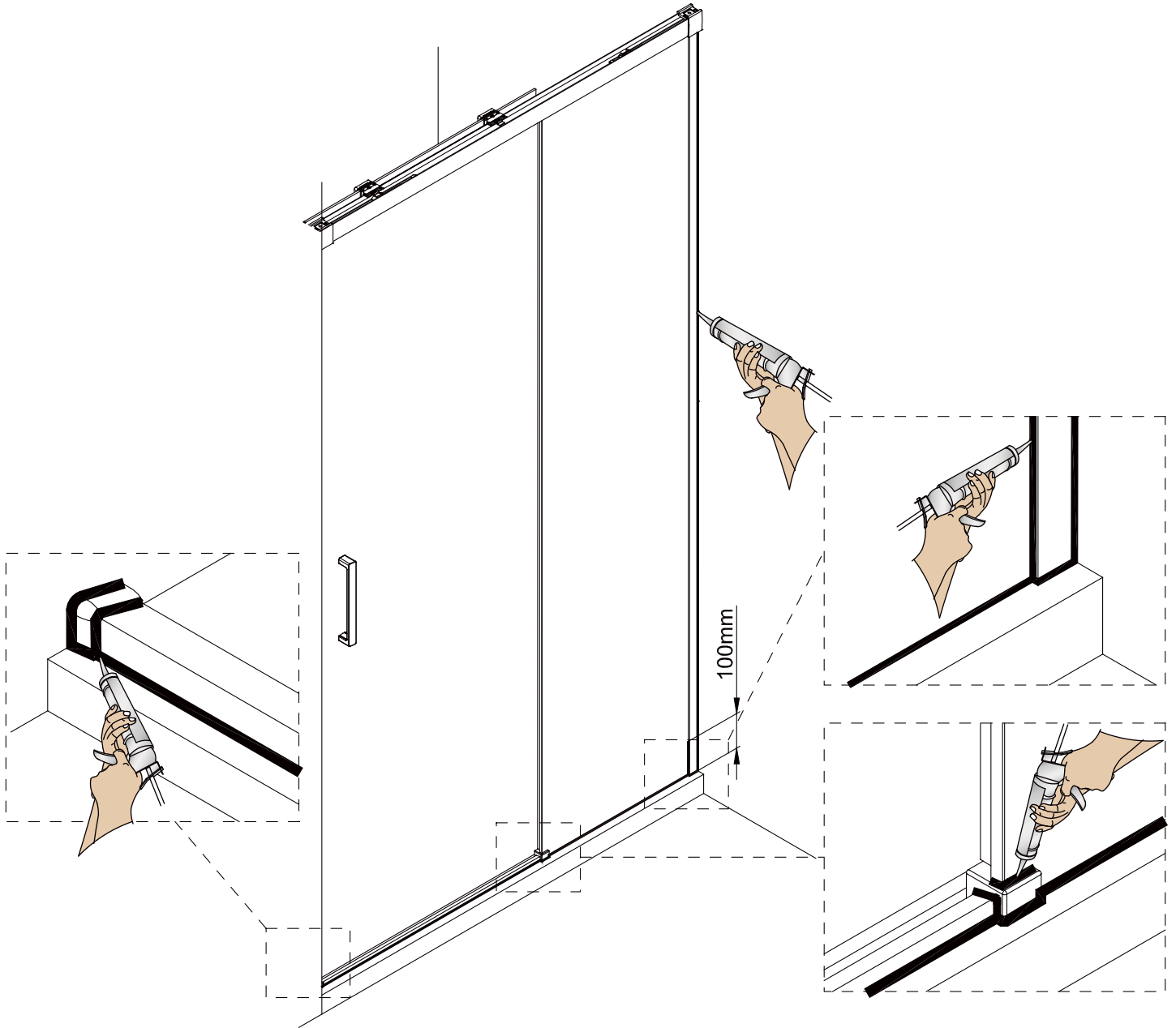
To complete the minimalist look the sliding door has an integrated bubble seal that holds directly onto the wall surface. For uneven surfaces such as mosaic tiles an optional wall channel (code DSLADJPROFILE in chrome finish / DSLADJPROFILE-MB in black finish) is available.



Step 20



Step 21



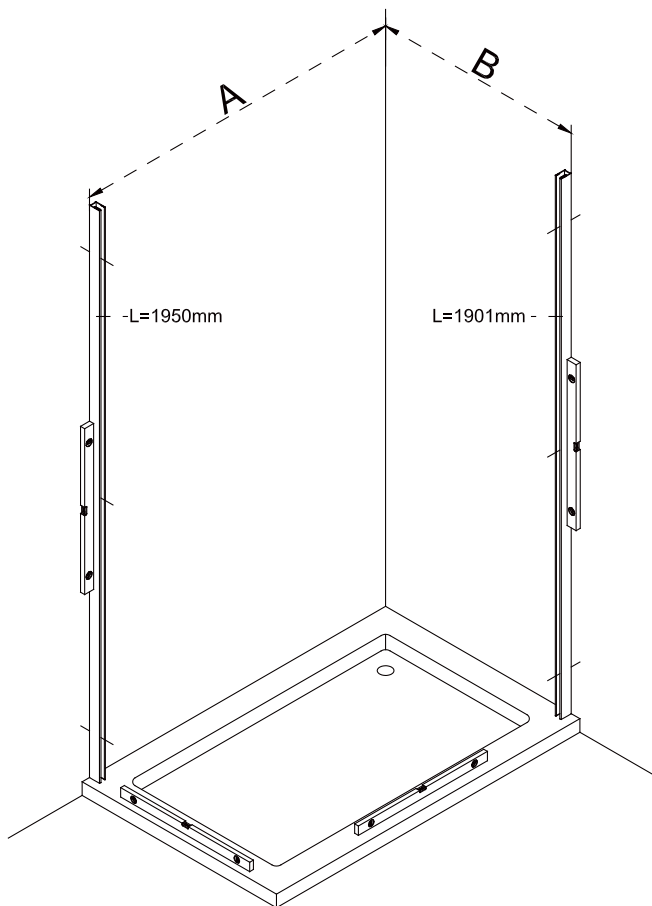
crosswater[®]
SHOWERING



For any further information please contact Crosswater
Phone number, 0345 873 8840
Website, crosswater.co.uk
Email address, sales@crosswater.co.uk
The manufacturer reserves the right to make technical modifications without prior notice.

SLIDING DOOR + SIDE PANEL

Step 1



1a

1b

Pencil Inside

Model	A (mm)
DSLSC1100	1070-1095
DSLSC1200	1170-1195
DSLSC1400	1370-1395
DSLSC1500	1470-1495
DSLSC1600	1570-1595
DSLSC1700	1670-1695
PRCBC1200	1170-1195
PRCBC1300	1270-1295
PRCBC1400	1370-1395
PRCBC1500	1470-1495
PRCBC1700	1670-1695

Model	B (mm)
DSLSP0800	760-768
DSLSP0900	860-868
DSLSP1000	960-968
PRLSP0800BM	760-768
PRLSP0900BM	860-868

1c

Ø6 mm

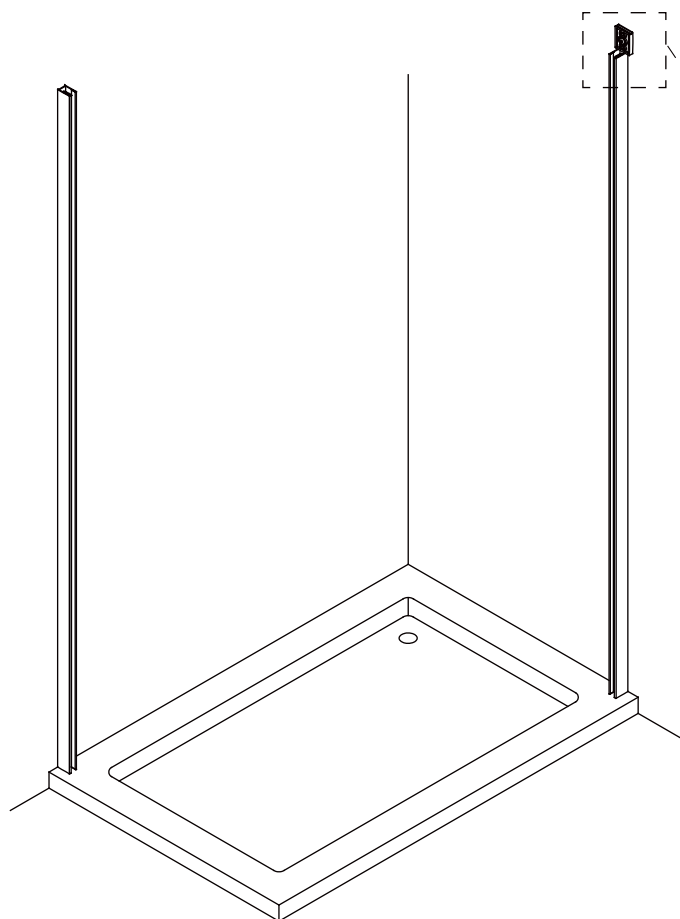
1d

B

1e

A

Step 2



2a

E

2b

Ø6.0mm

2c

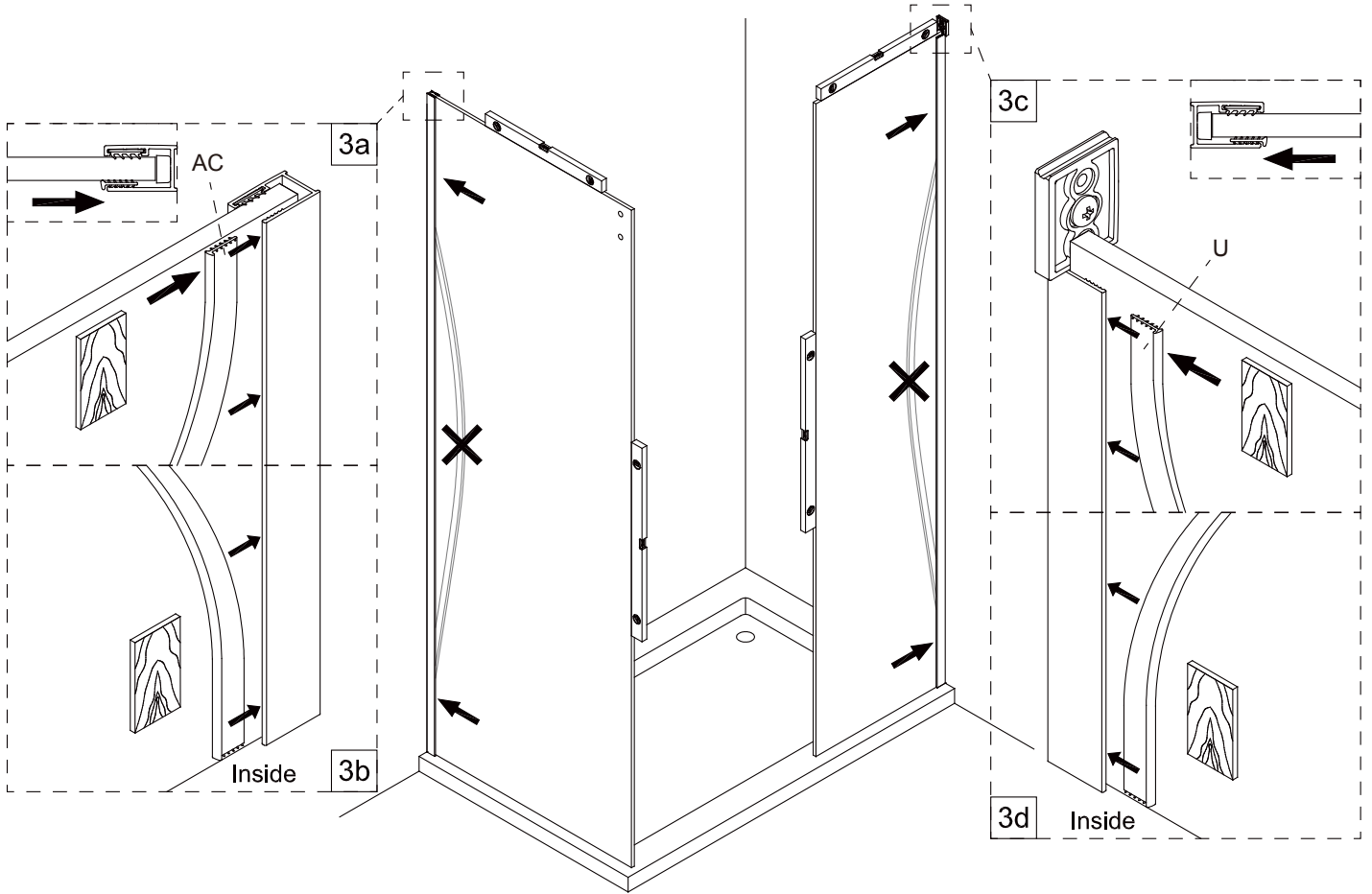
B

2d

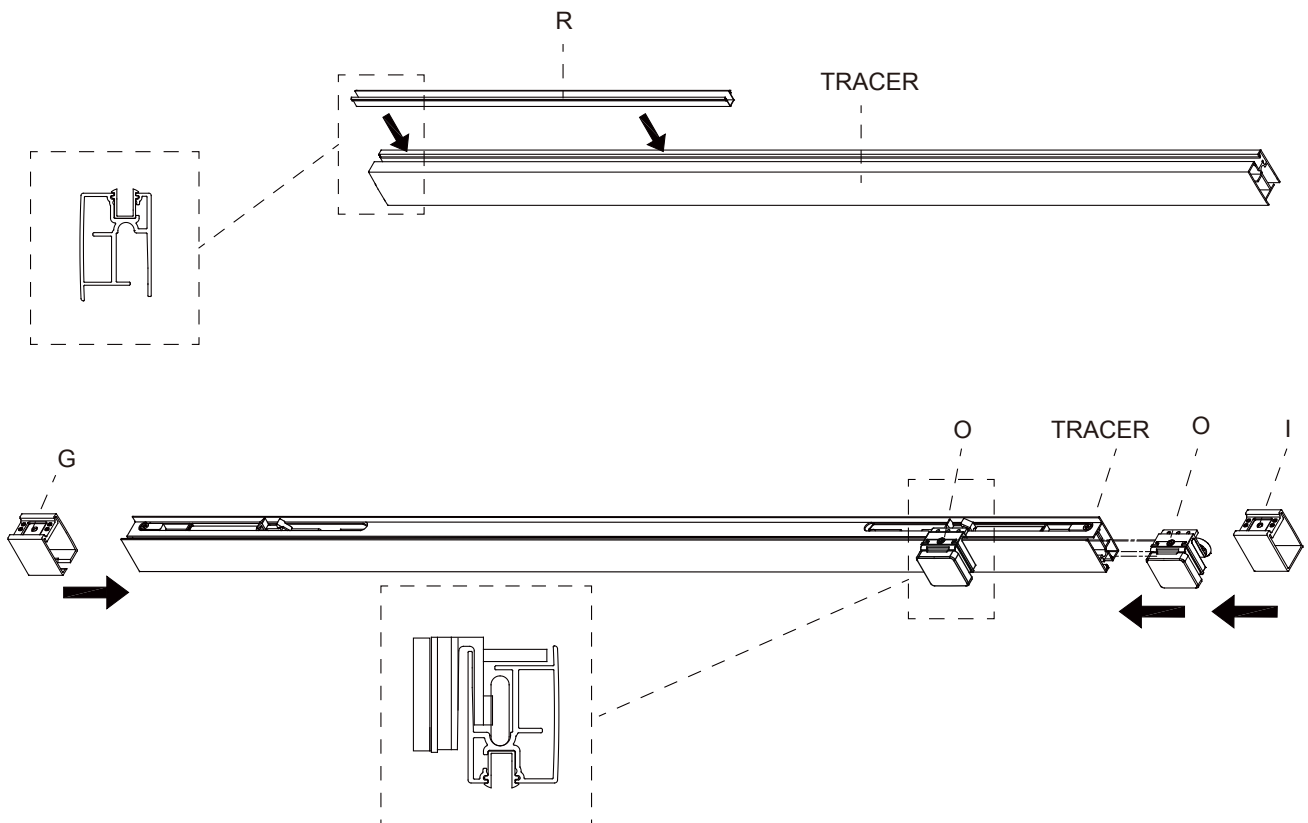
C F

This arc side is outward.

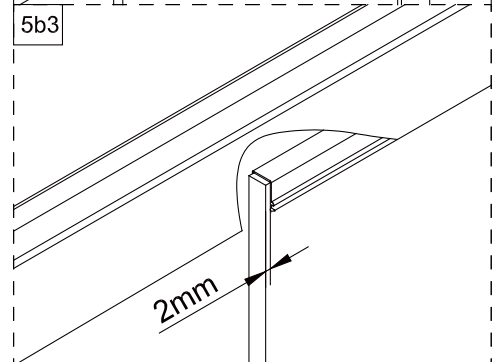
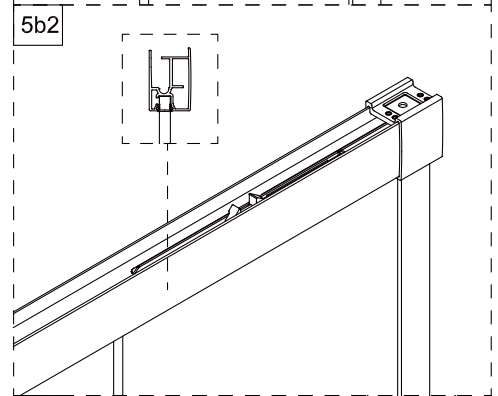
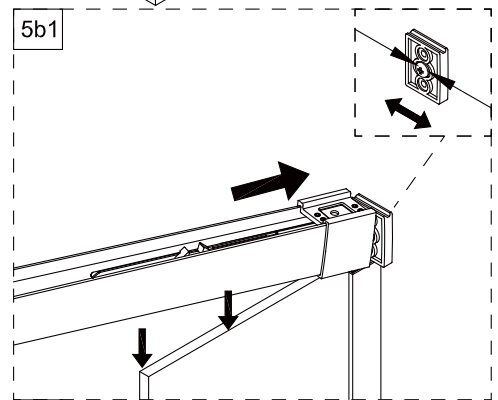
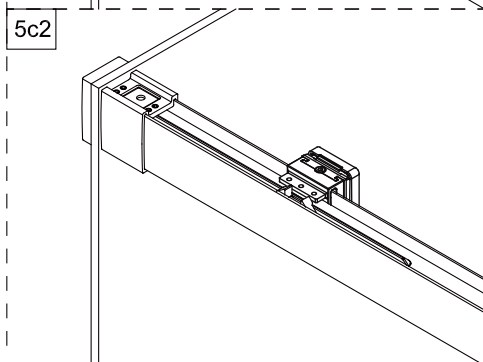
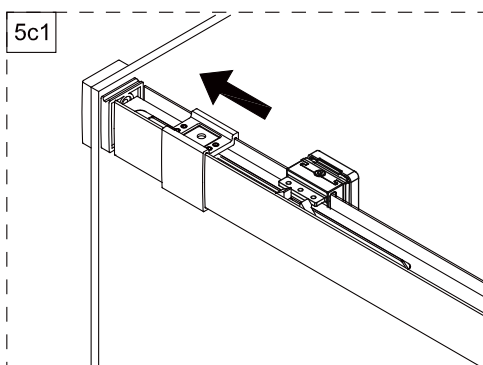
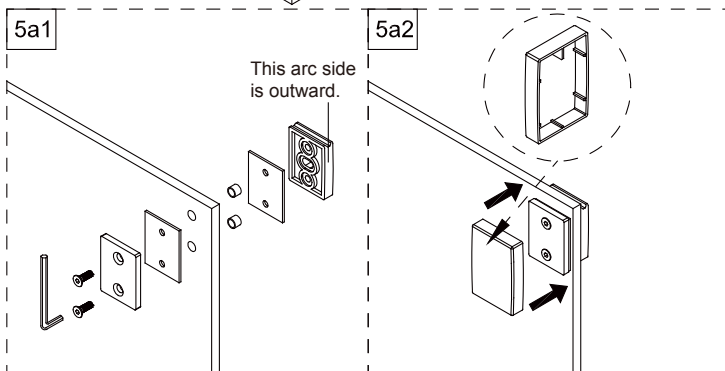
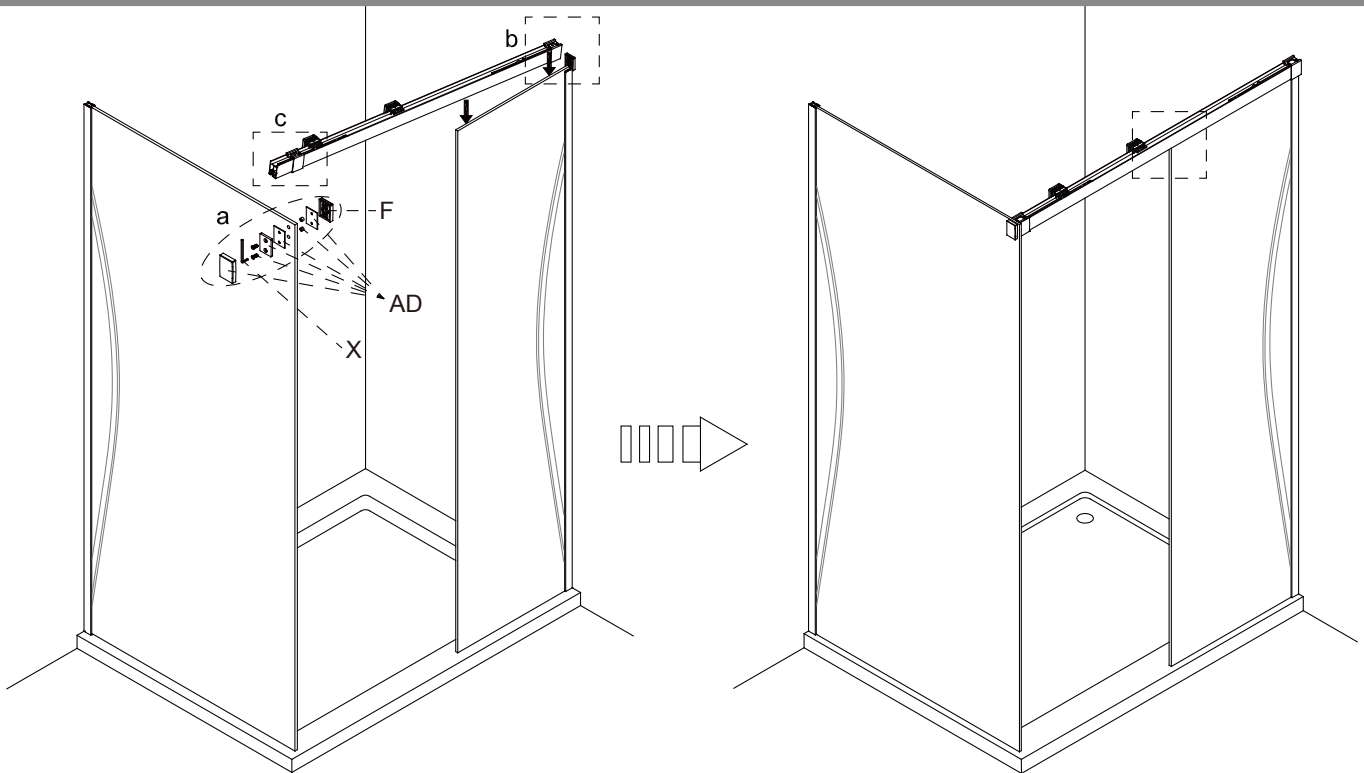
Step 3



Step 4

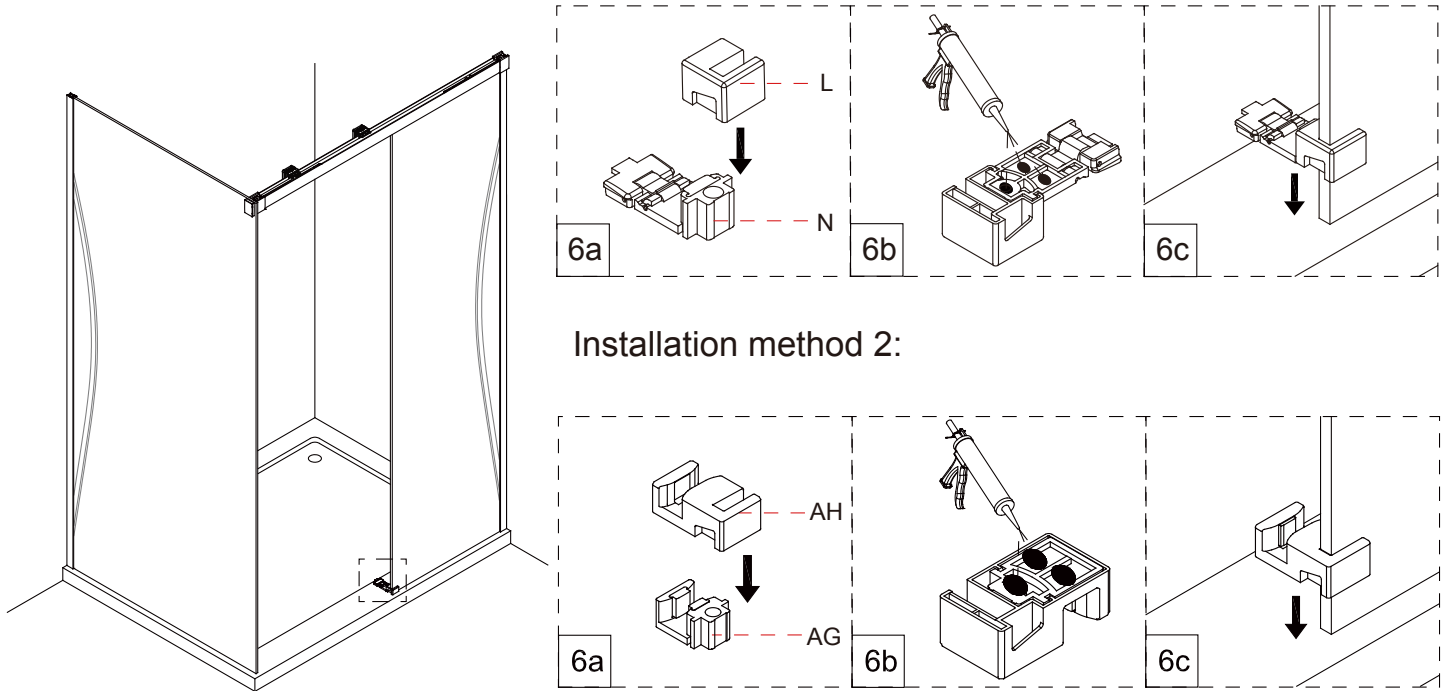


Step 5

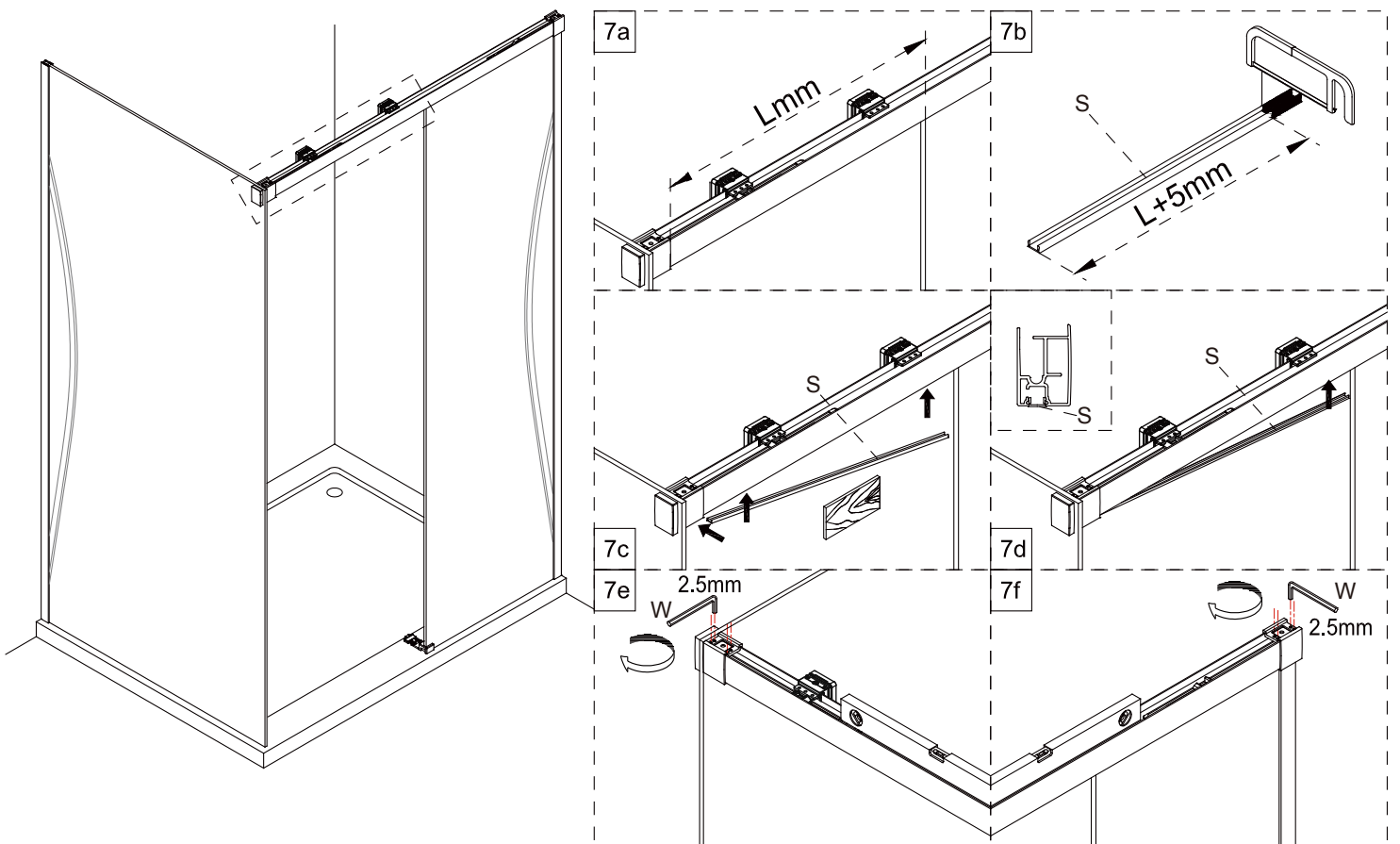


Step 6

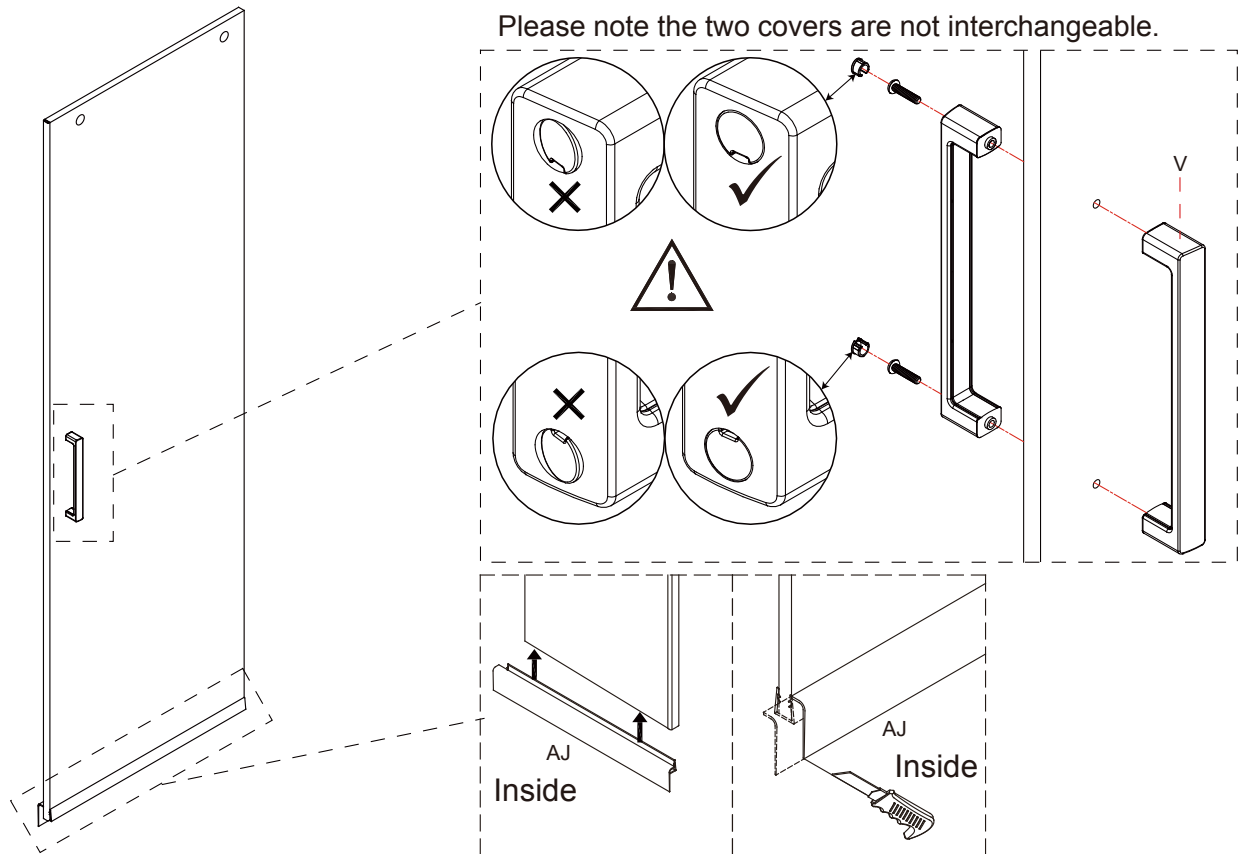
Installation method 1:



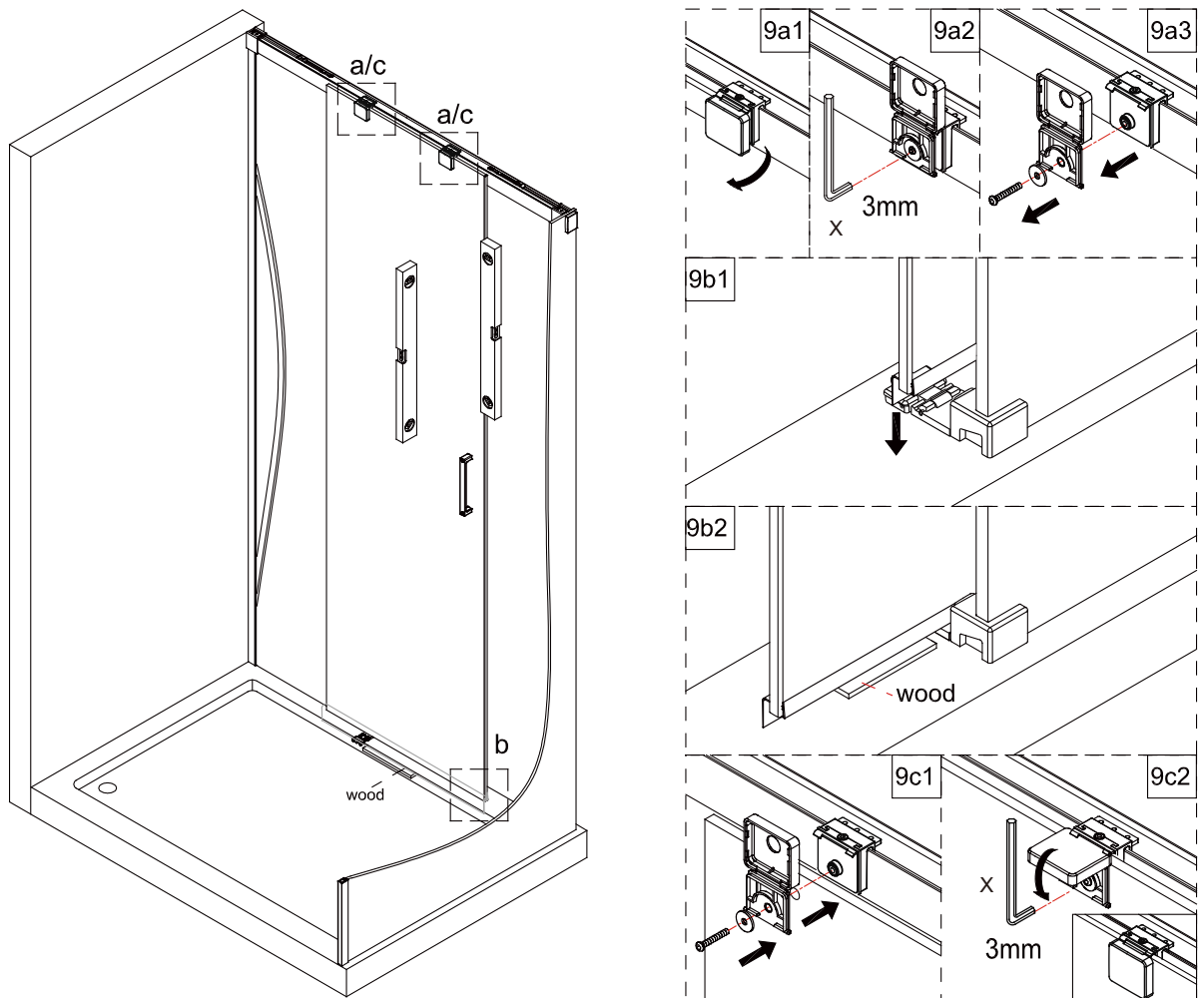
Step 7



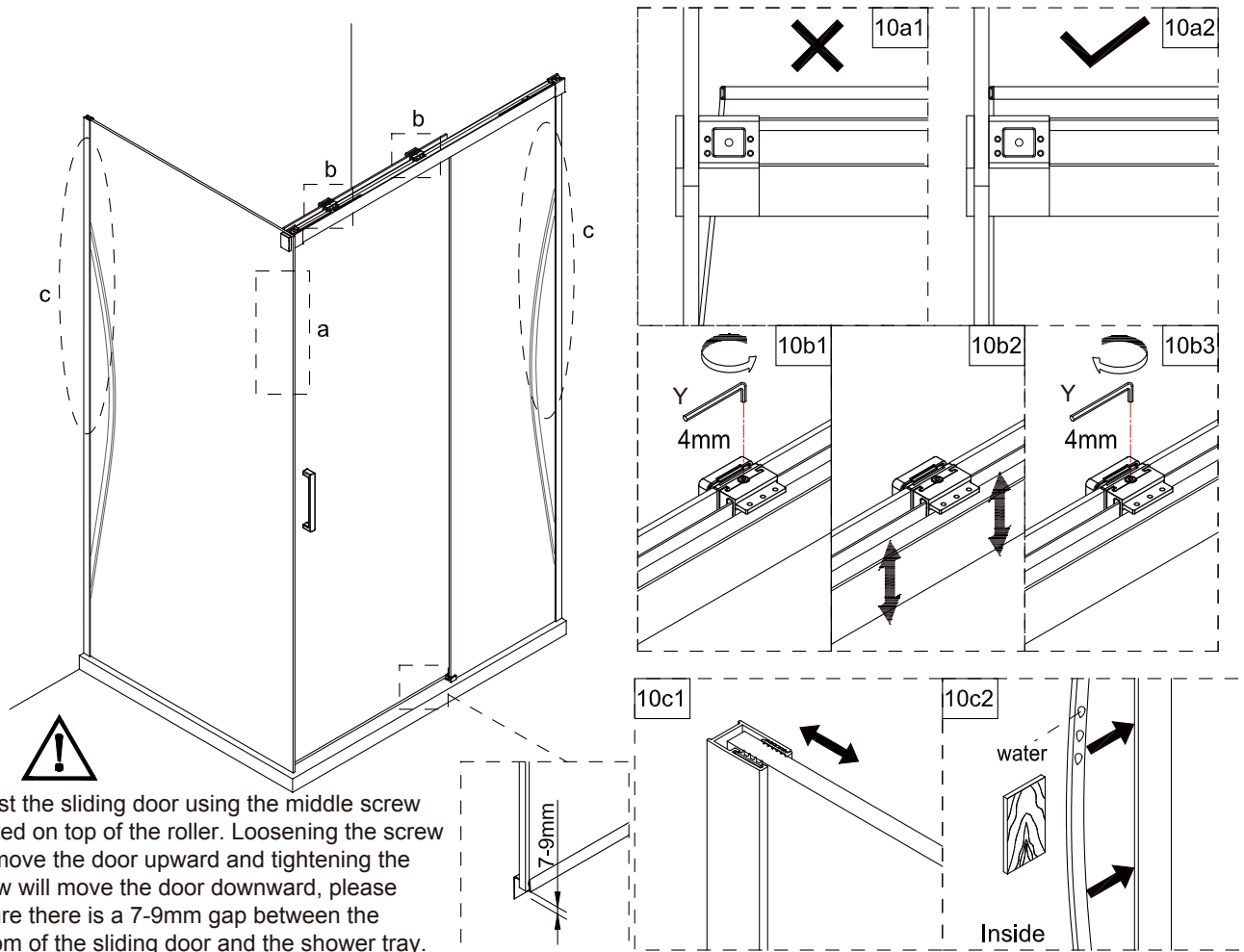
Step 8



Step 9

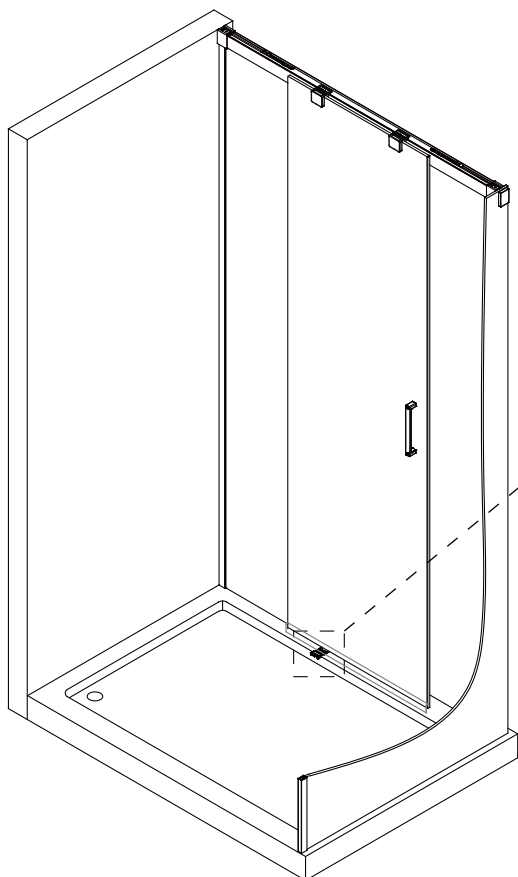


Step 10

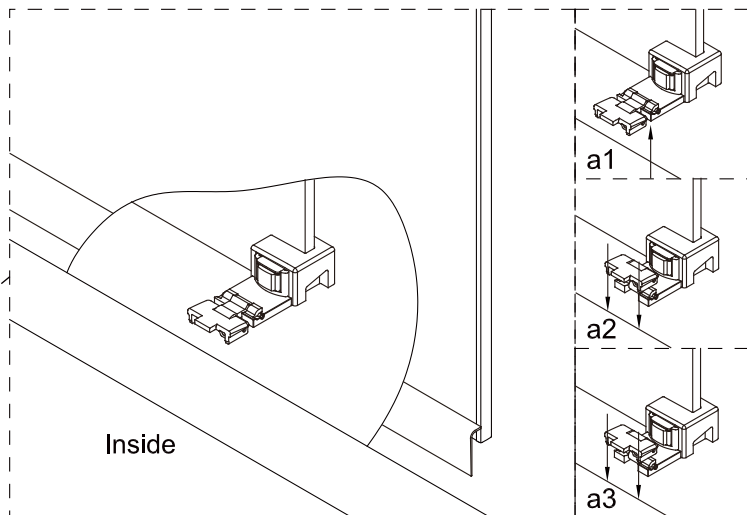


Adjust the sliding door using the middle screw located on top of the roller. Loosening the screw will move the door upward and tightening the screw will move the door downward, please ensure there is a 7-9mm gap between the bottom of the sliding door and the shower tray.

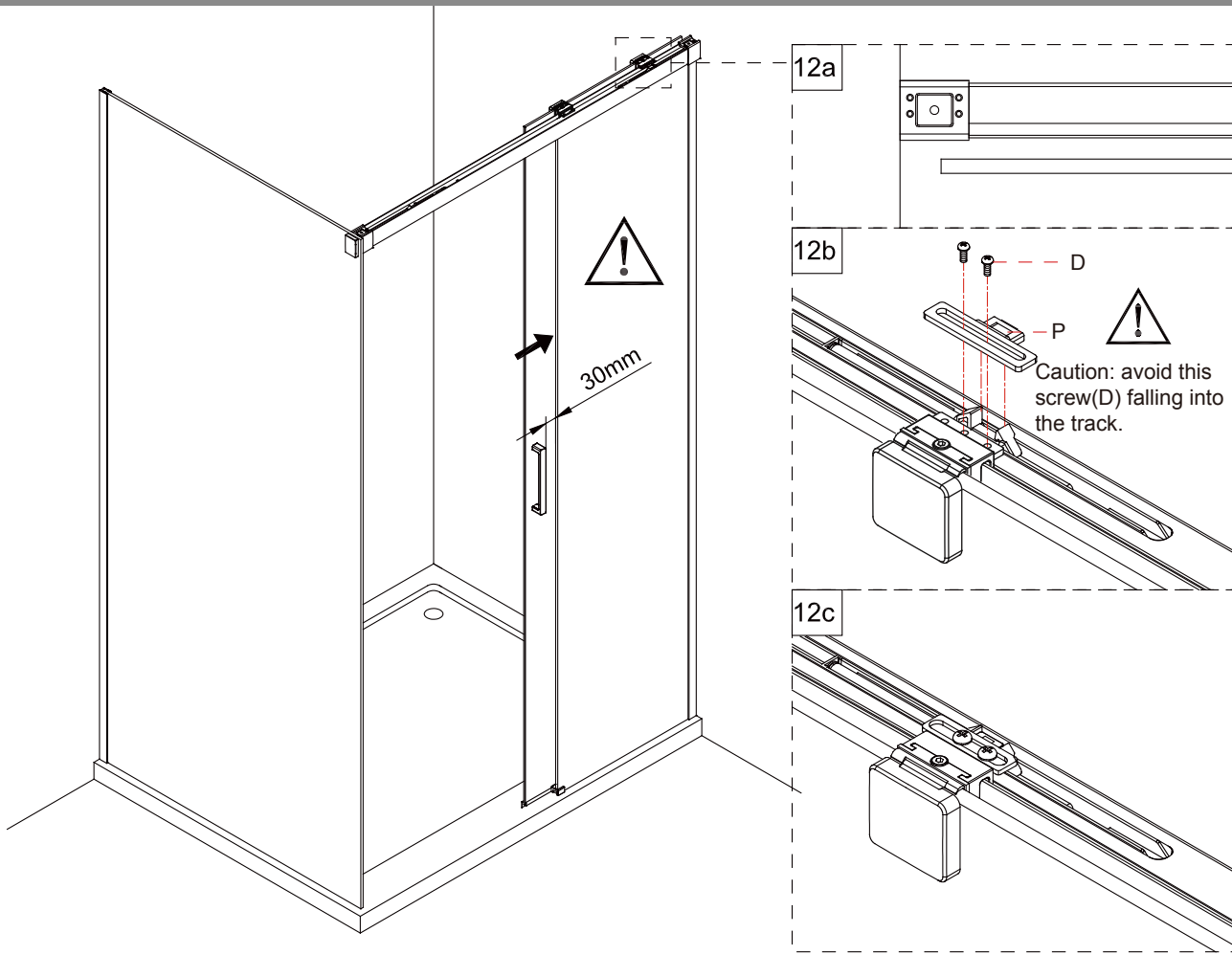
Step 11



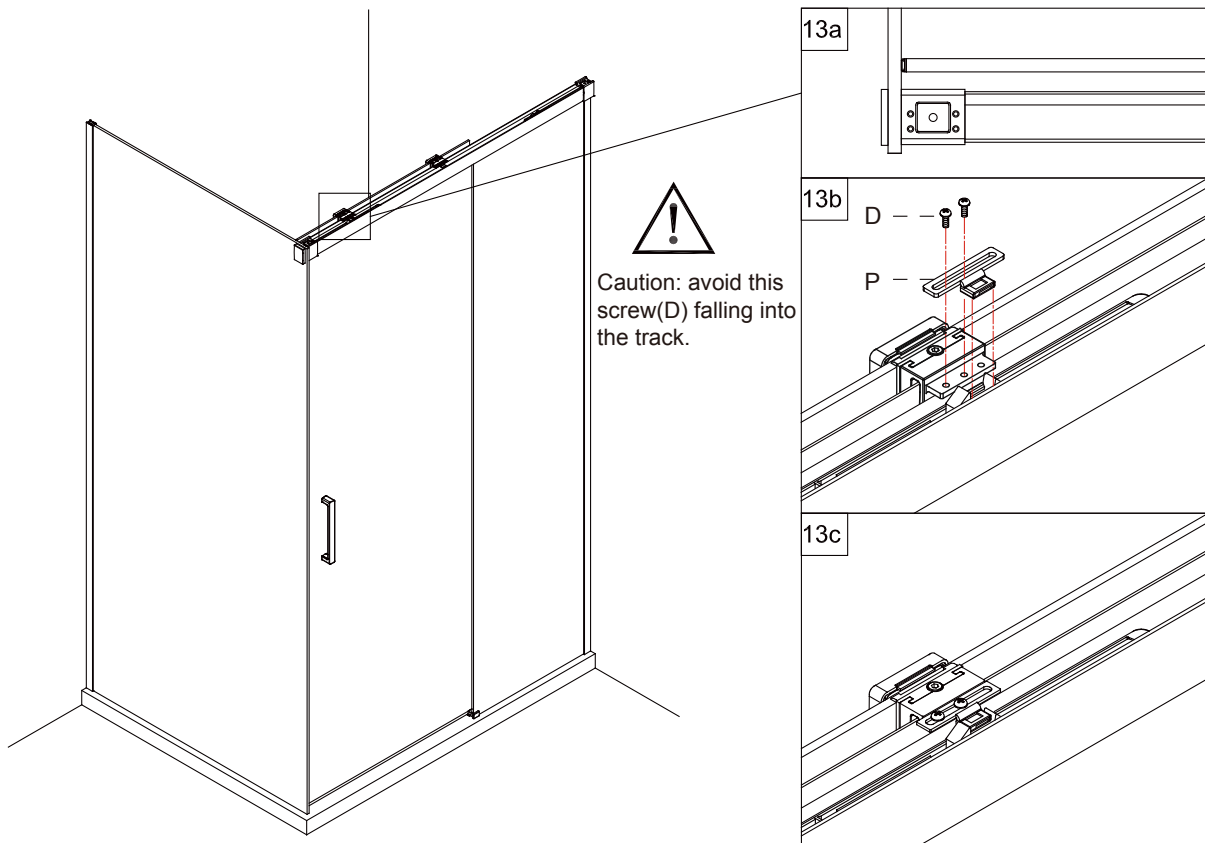
If you chose the part AG, please skip over the step 11 and please go ahead for next step.



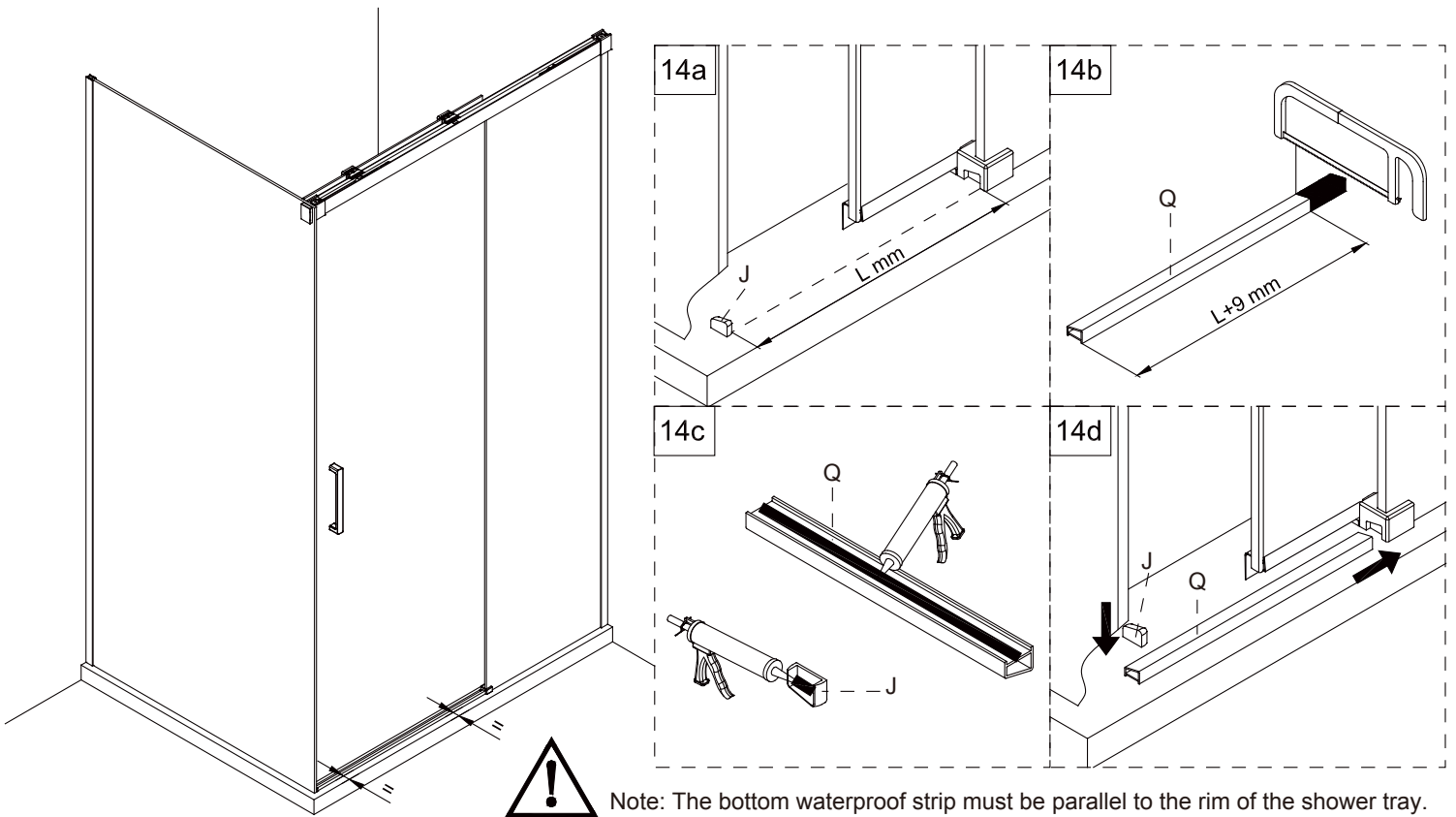
Step 12



Step 13



Step 14

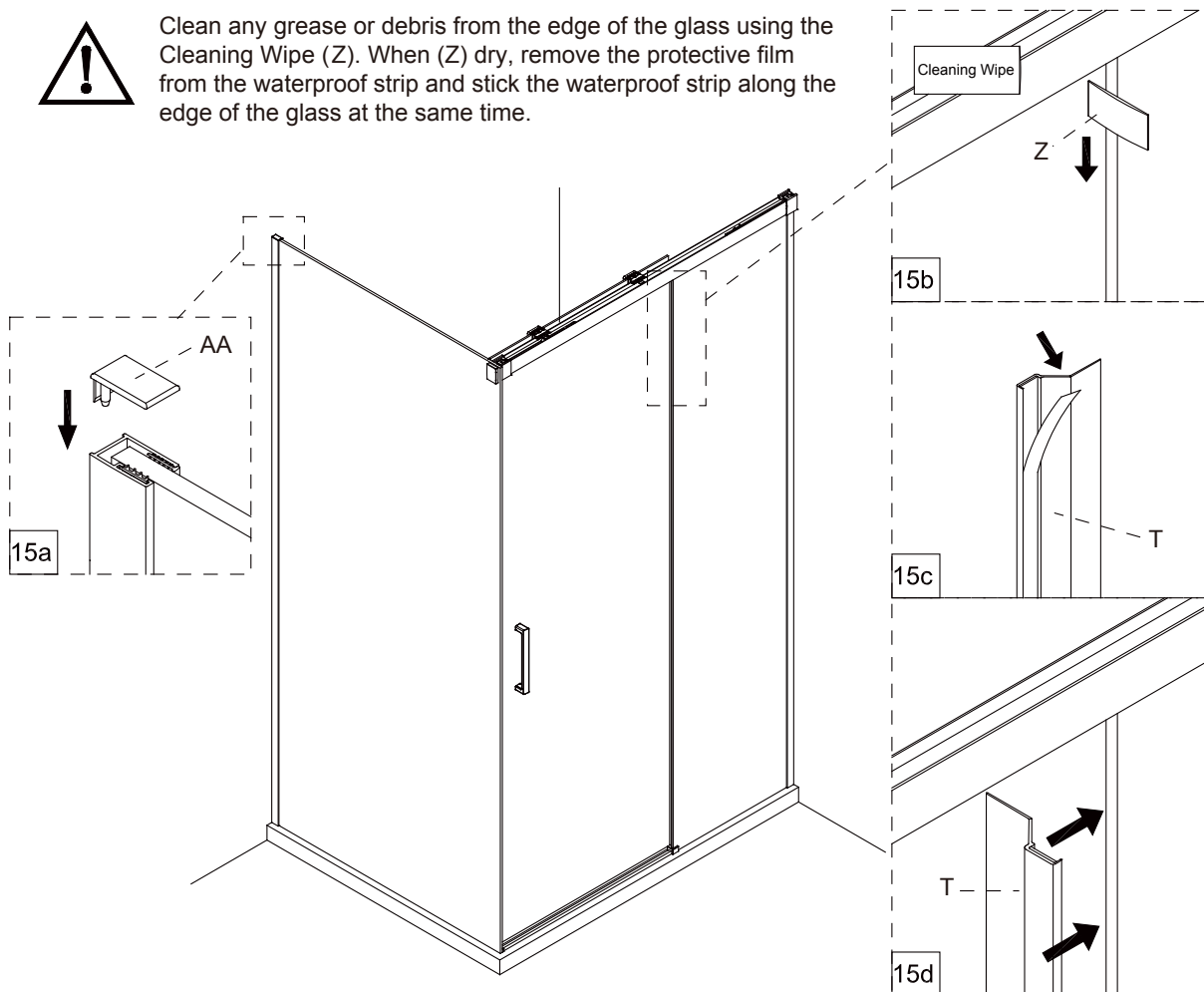


Note: The bottom waterproof strip must be parallel to the rim of the shower tray.

Step 15



Clean any grease or debris from the edge of the glass using the Cleaning Wipe (Z). When (Z) dry, remove the protective film from the waterproof strip and stick the waterproof strip along the edge of the glass at the same time.

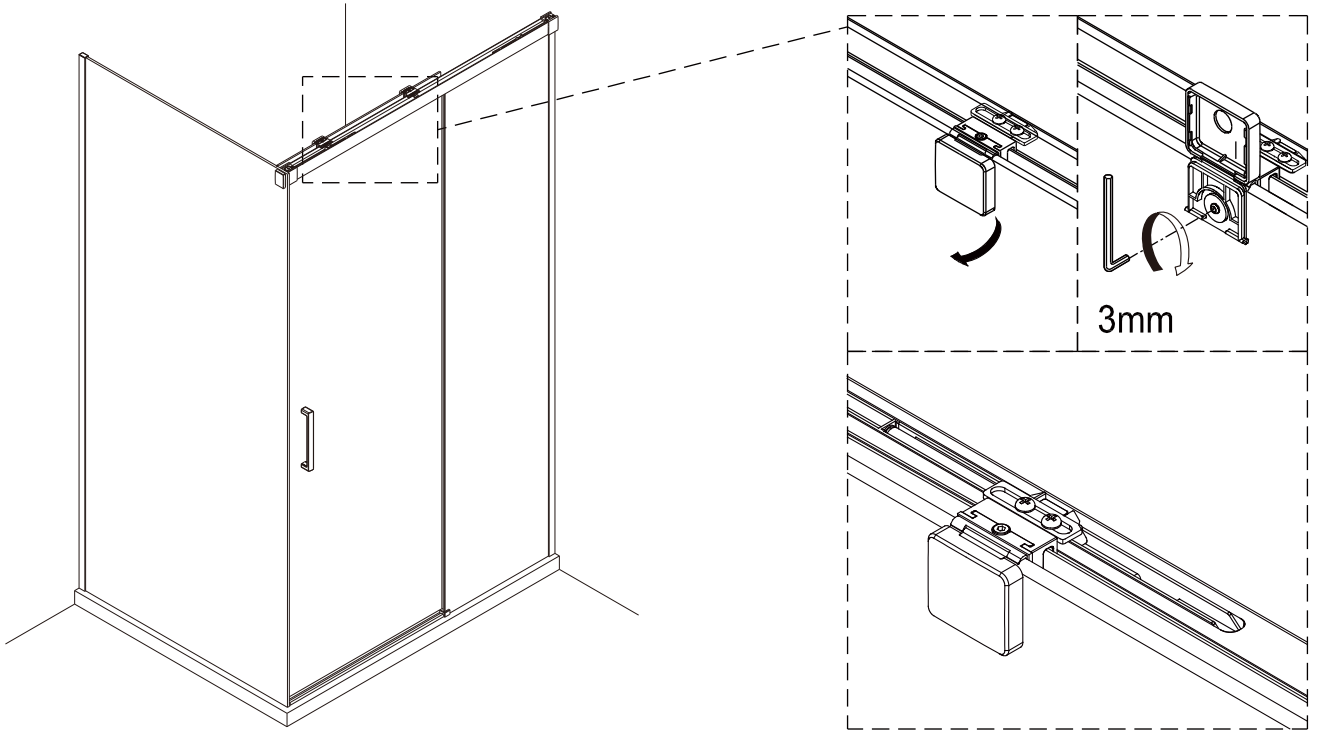


Step 16 Trouble Shooting

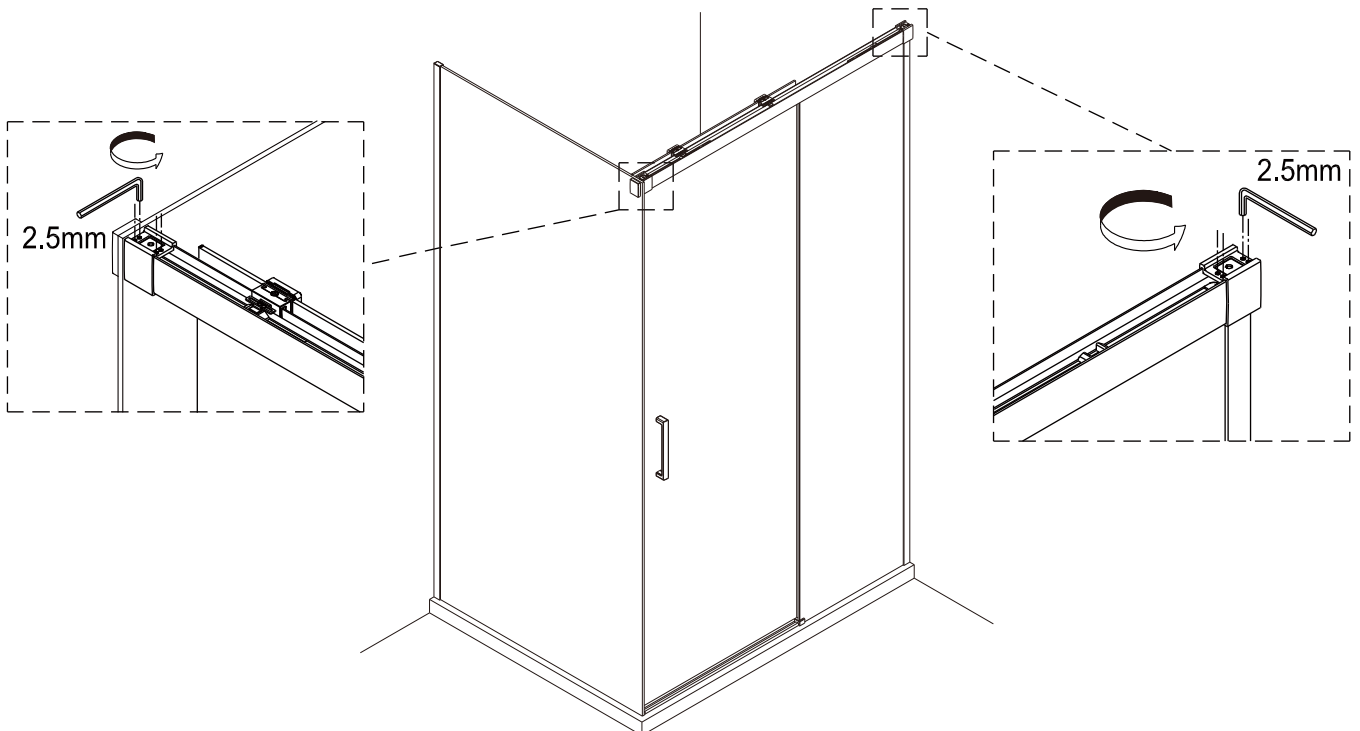


If the slider has a grinding noise during operation, please refer to below instruction to resolve.
If the roller track contacts with the roller holder, then it will have a grinding noise during sliding.
To fix, please follow the below steps:

Step 16-1: Ensure that the screw on the roller is fully tightened.

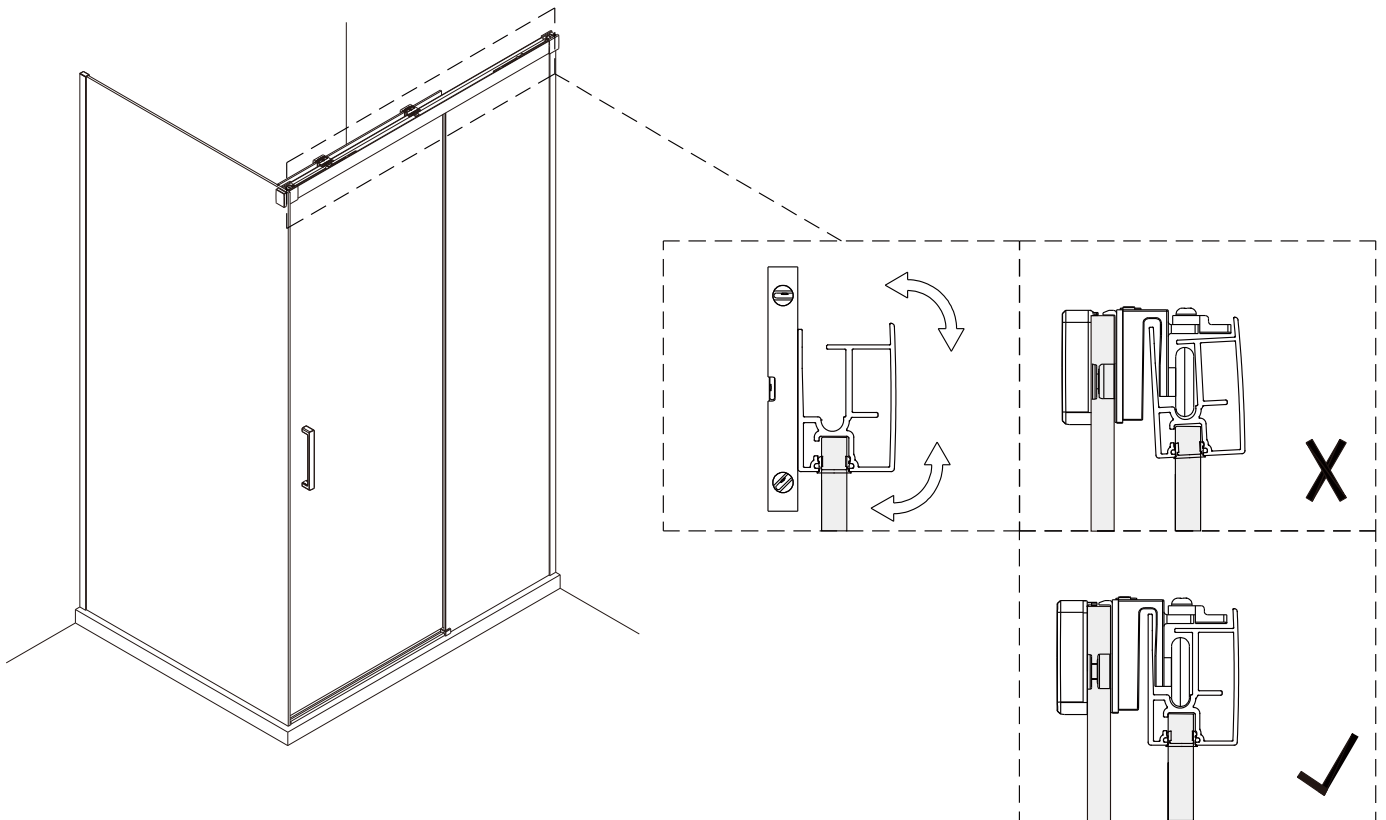


Step 16-2: Loosen the screws at both ends of the roller track slightly.

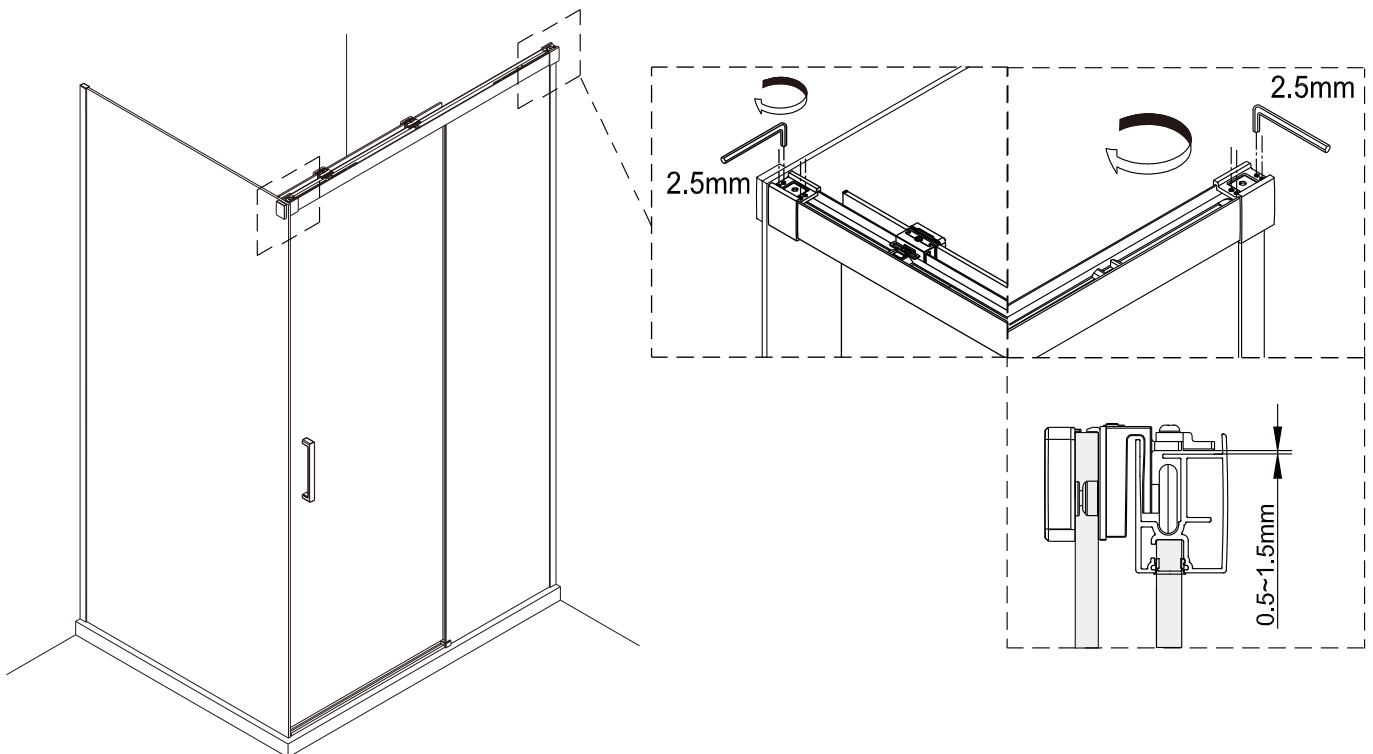


Step 16 Trouble Shooting

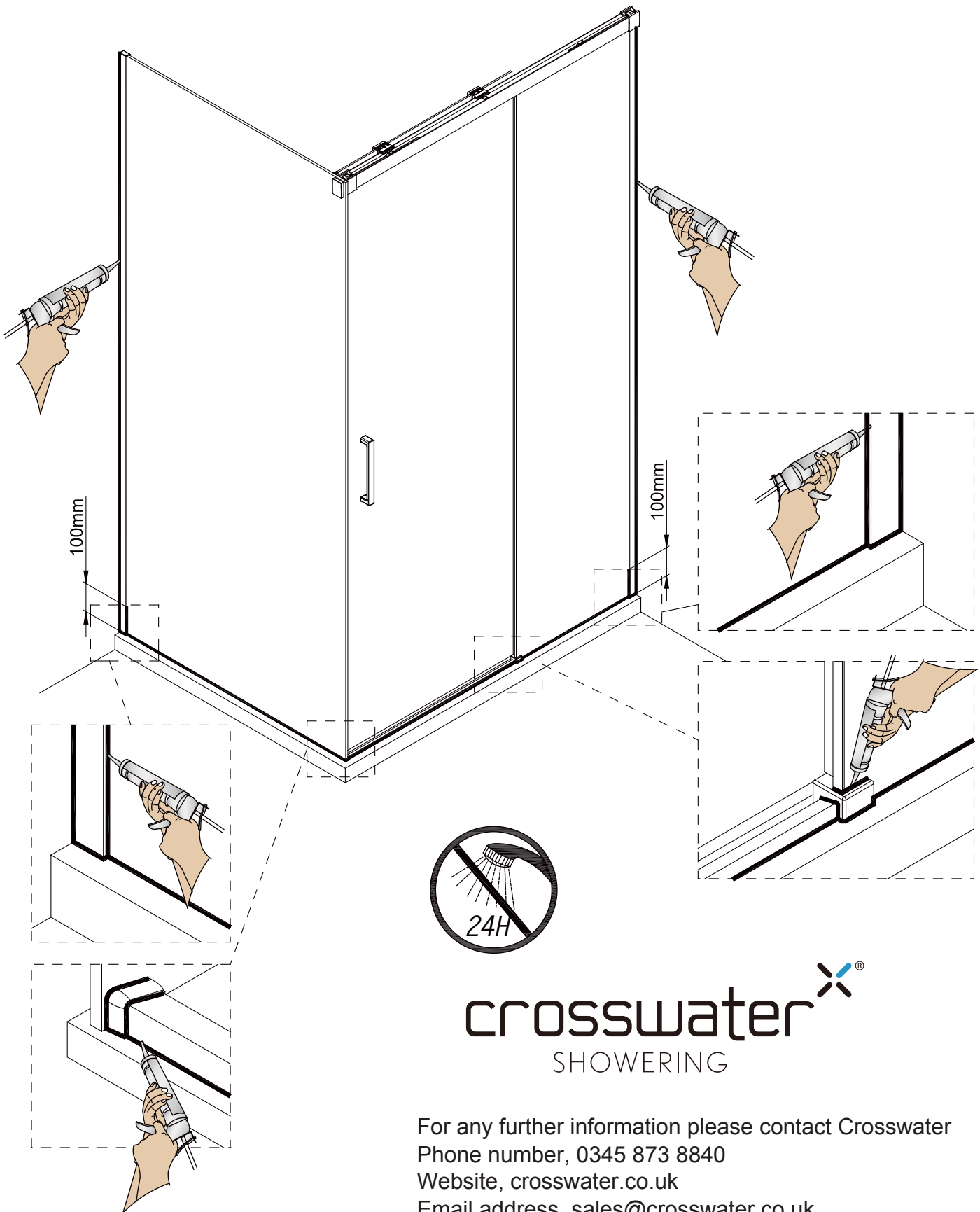
Step 16-3: Slightly adjust the roller track, ensure that the track is in the center of the groove, and it does not contact with the groove.



Step 16-4: Tighten the screws at both ends.

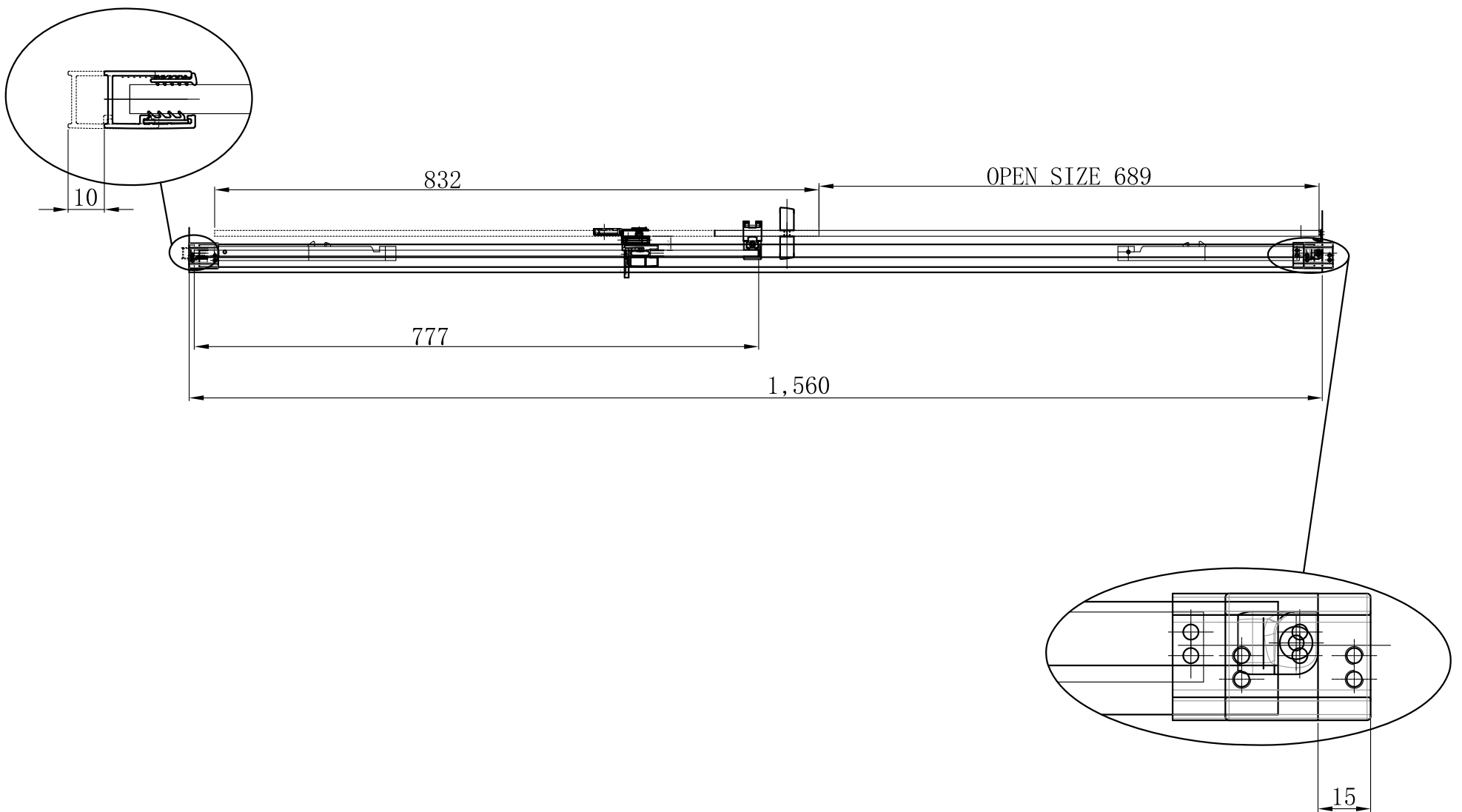
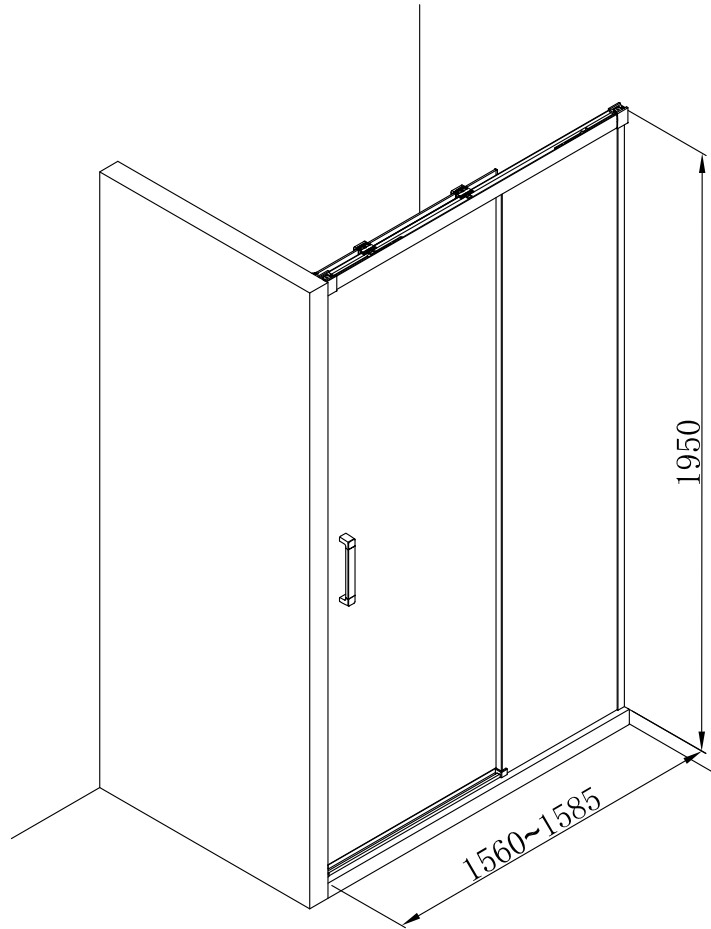


Step 17

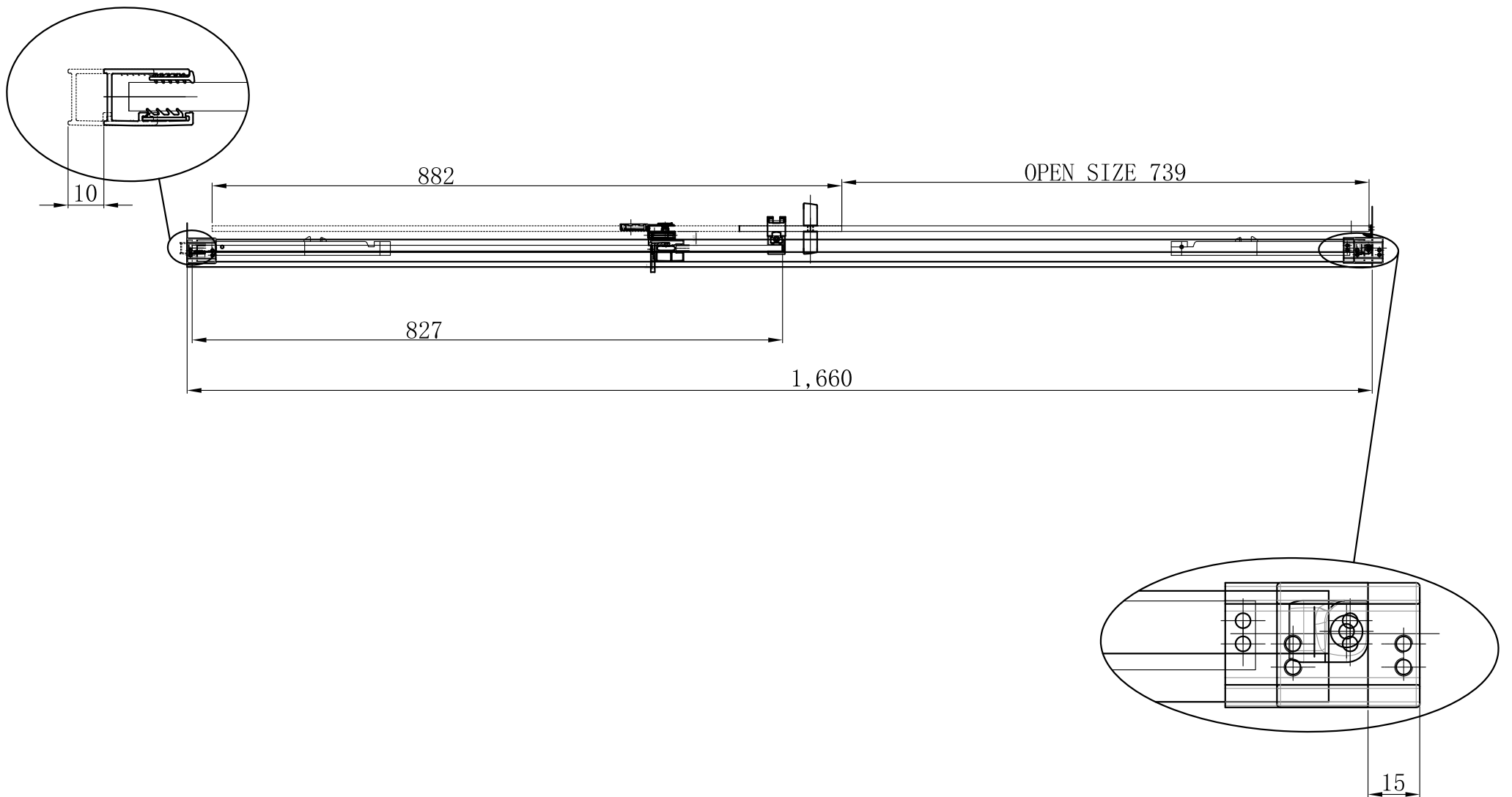
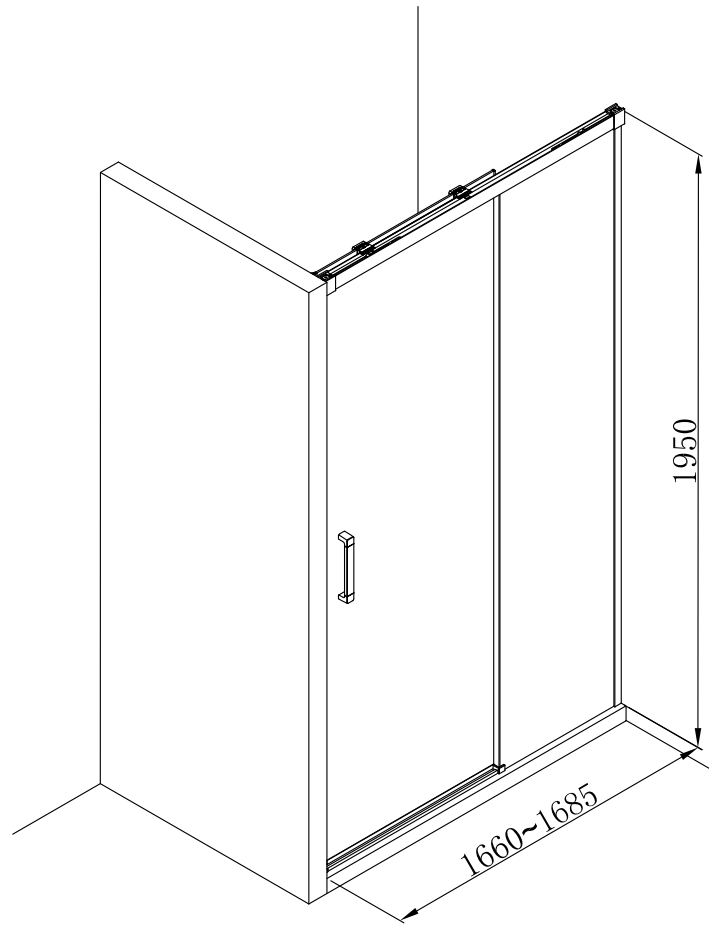


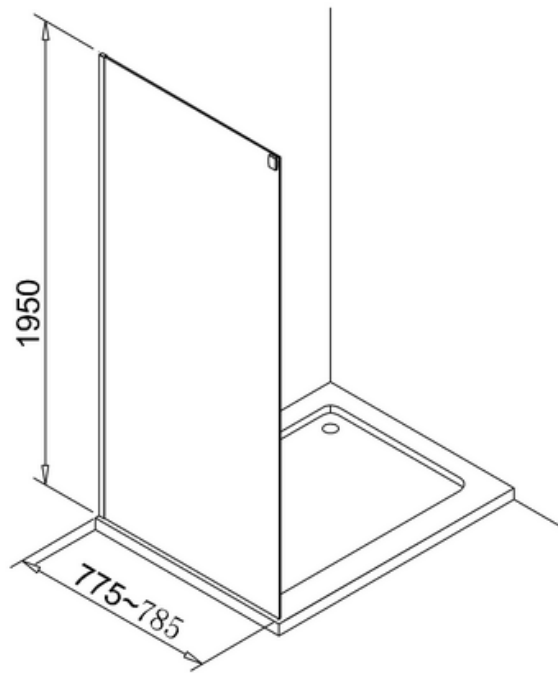
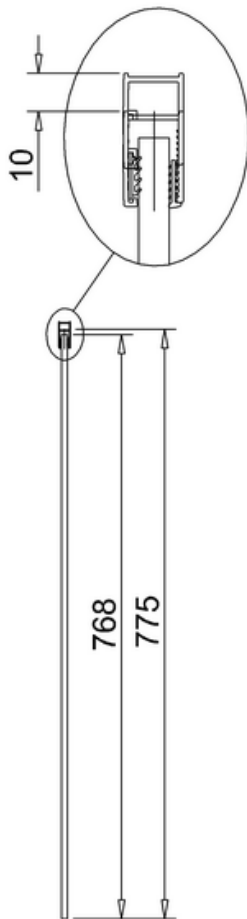
For any further information please contact Crosswater
Phone number, 0345 873 8840
Website, crosswater.co.uk
Email address, sales@crosswater.co.uk
The manufacturer reserves the right to make technical modifications without prior notice.

DSLSC1600A
DSLSC1600B
1560x1950

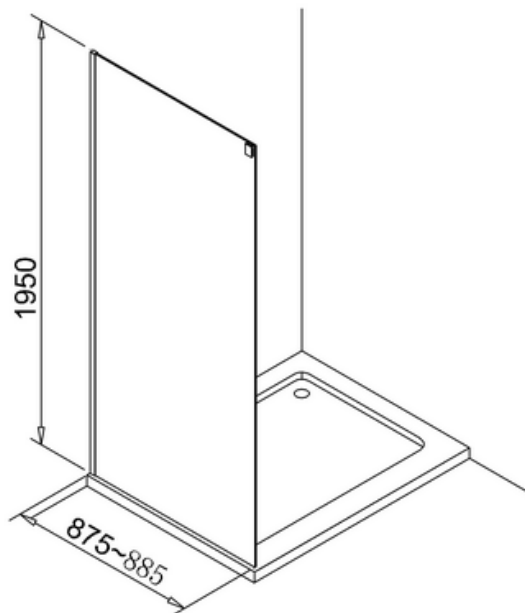
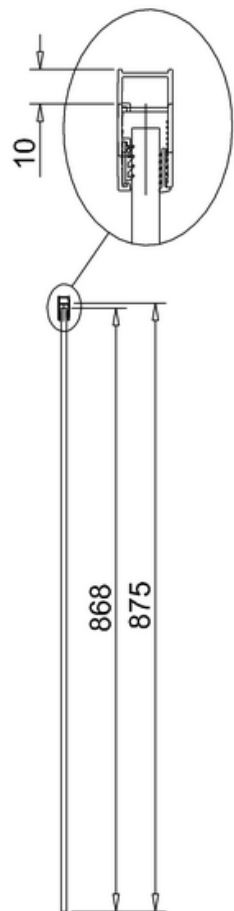


DSLSC1700A
DSLSC1700B
1660x1950





Note:
Whole dimension tolerance is ± 5 .
Glass dimension tolerance is ± 2 .



Note:
Whole dimension tolerance is ± 5 .
Glass dimension tolerance is ± 2 .