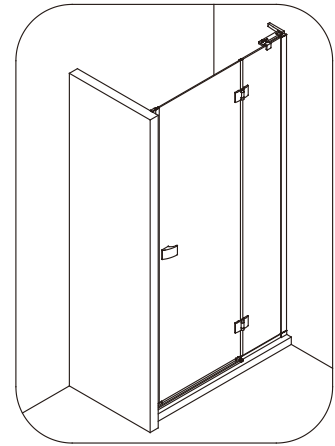
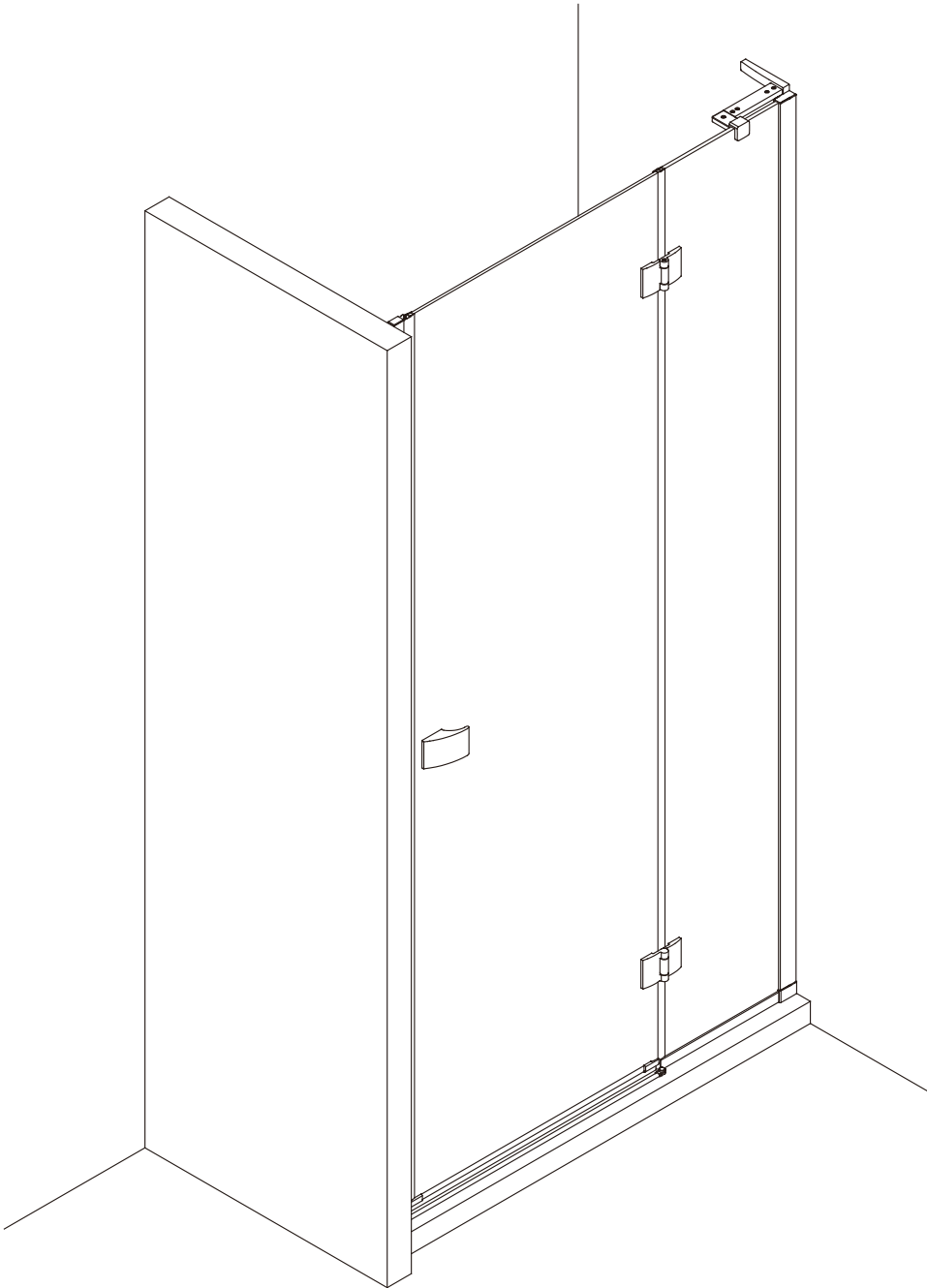
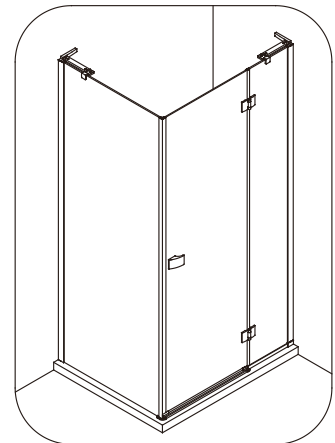


HINGED DOOR

DHDSC0700+ DSPSC0700+
DHDSC0760+ DSPSC0760+
DHDSC0800+ DSPSC0800+
DHDSC0900+ DSPSC0900+
DHDSC1000+ DSPSC1000+
DHDSC1100+ PRSPB0800
DHDSC1200+ PRSPB0900
PRDBC0800 PRSPB1000
PRDBC0900
PRDBC1000
PRDBC1200



HINGED DOOR



SIDE PANEL & HINGED DOOR

INSTALLATION INSTRUCTIONS

crosswater[®]
SHOWERING

IMPORTANT - Please read before installation

Please read these instructions carefully before starting installation and keep in a safe place for future reference.

Check the contents of the pack carefully before installation. Simpsons will not be held responsible for any de-fit / re-fit costs where faulty product has been fitted.

If any fault is found with materials or workmanship, it must be reported immediately to the manufacturer. Remedial action will be taken, based on information received, on condition that:

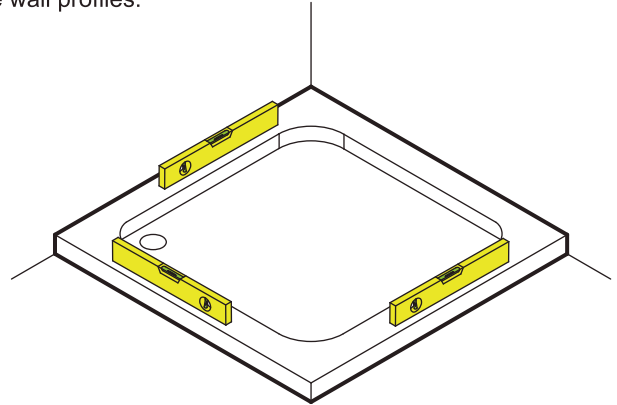
1. Full details are supplied to the manufacturer;
2. The enclosure has not been modified or tampered with;
3. The manufacturer is informed of any damage/shortages prior to installation.

We do not accept responsibility for any problems that may occur through incorrect installation.

The success of the installation and operation of any shower enclosure is, of course, dependant on the squareness, alignment and construction of the walls to which fixing is to be carried out.

VERY IMPORTANT

You must complete all tiling and grouting, and the shower tray **MUST** be level and fully sealed to the tiles before installation. If you do not fit the enclosure onto a tiled surface, or seal the tiles to the tray before installation, water may soak into the wall behind the wall profiles.



INSTALLATION - Advice and safety

The installation instructions are based on typical use and conditions.

All doors are designed to open outwards only.

These hints have been prepared for your guidance, you must exercise due care at all times.

For Health and Safety 2 people must carry out the installation of this enclosure.

Handle glass with care. Although the glass supplied is toughened safety glass (EN12150), impacts can damage both the glass and the frame.

Warning!

Please check for any hidden pipes or cables before drilling holes in the wall.

When using power tools always follow the manufacturers user instructions.

If the Framework is sealed to the tray on the inside, any water that may get into the framework will not be able to drain back into the tray, this may cause the enclosure to leak.

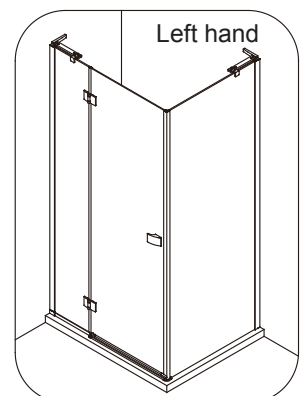
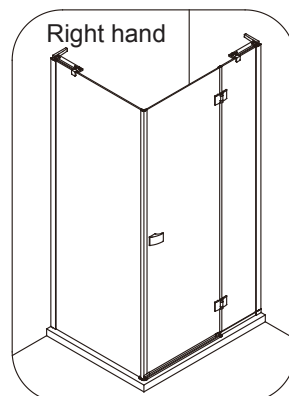
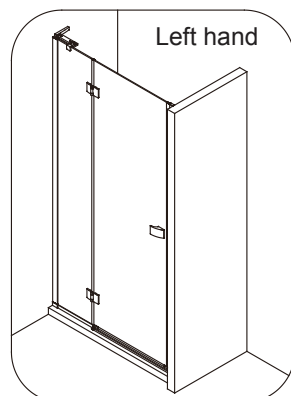
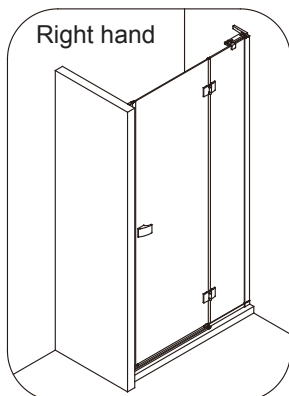
Leave the silicone sealant to dry for 24 hours before using the enclosure.

CARE AND CLEANING

Do not use solvents or abrasive material or chemicals to clean the enclosure.

Only clean using soapy water and a soft cloth, rinse thoroughly afterwards.

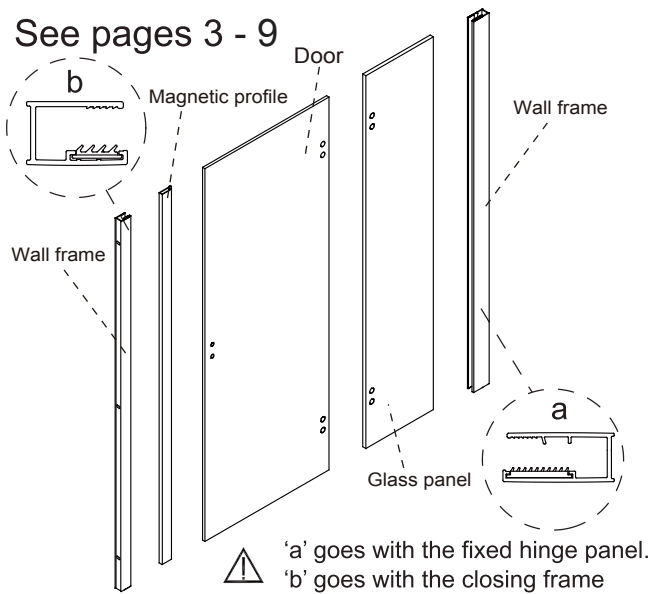
INSTALLATION



CONTENTS

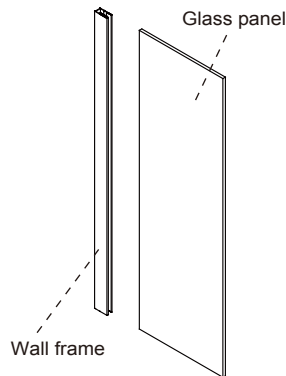
DOOR IN ALCOVE

See pages 3 - 9



SIDE PANEL

See pages 10 - 16



A		ST4 *40mm Screw x 5
B		ST4 *40mm Screw x 3
C		Wall Plug x 8
D		M4 *8mm Screw x 5
E		Wall Bracket x 1
F		Wall Bracket Cover I x 1
G		Support Bar x 1
H		Glass Clamp x 1
I		Cap I (LH) x 1
J		Cap I (RH) x 1
K		Cap II x 1
L		Cap III x 1
M		Fixed Part x 1
N		Cover for taper sleeve x 8

O		Hinge x 2
P		Handle x 1
Q		Breakwater Bar x 1
R		Waterproof Strip x 1
S		Magnetic Strip x 1
T		Wall frame sealing strip I x 1
U		Wall frame sealing strip II x 1
V		Allen Key 4mm x 1
W		Bottom Waterproof Strip x 1
X		Plastic Seal Strip x 1
Y		Water Channel Middle x 1
Z		End Part (RH) x 1
AA		End Part (LH) x 1
AB		End Part (RH) x 1

AC		End Part (LH) x 1
AD		Cover x 2
AE		Water Channel End (RH) x 1
AF		Water Channel End (LH) x 1
AG		Water Channel End (RH) x 1
AH		Water Channel End (LH) x 1
AI		Cover x 1
AJ		Cover (RH) x 1
AK		Cover (LH) x 1
AL		Cover x 1
AM		Bottom profile x 1
AN		Bottom seat (RH) x 1
AO		Bottom seat (LH) x 1

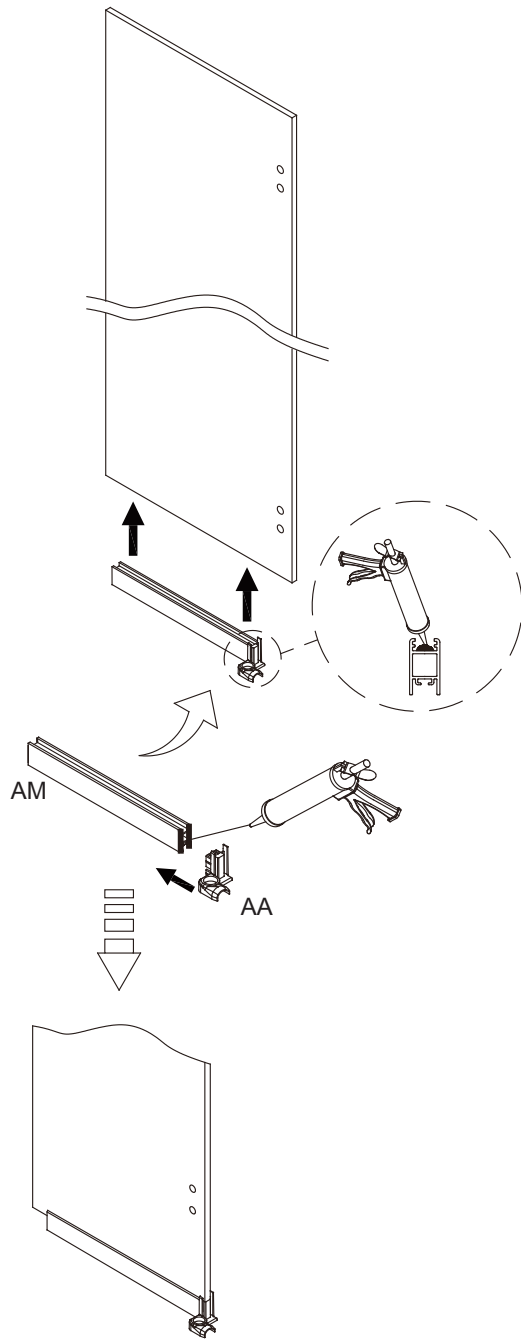
A		ST4 *40mm Screw x 2
B		ST4 *40mm Screw x 3
C		Wall Plug x 5
D		M4 *8mm Screw x 5
E		Wall Bracket x 1
F		Wall Bracket Cover I x 1
G		Support Bar x 1
H		Glass Clamp x 1
I		Cap I (LH) x 1
J		Cap I (RH) x 1
K		Cap II x 1
L		Cap III x 1
M		Fixed Part x 1
V		Allen Key 4mm x 1
AL		Cover x 1
AP		Magnetic Strip x 1
AQ		Magnetic Strip x 1
AR		Wall frame sealing strip I x 1
AS		End Part (RH) x 1
AT		End Part (LH) x 1

Tools and equipment needed

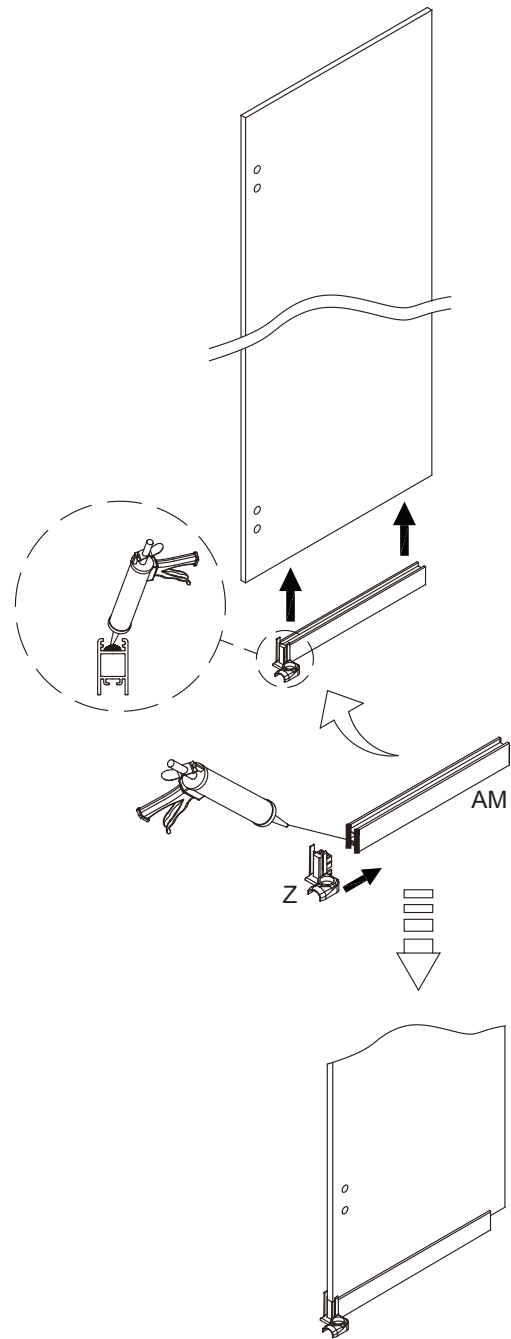
Drill, 6mm Masonry drill bit, 3.2mm General drill bit, Philips screwdriver, Spirit level, Pencil, Scissors, Silicone sealant.

Step 1

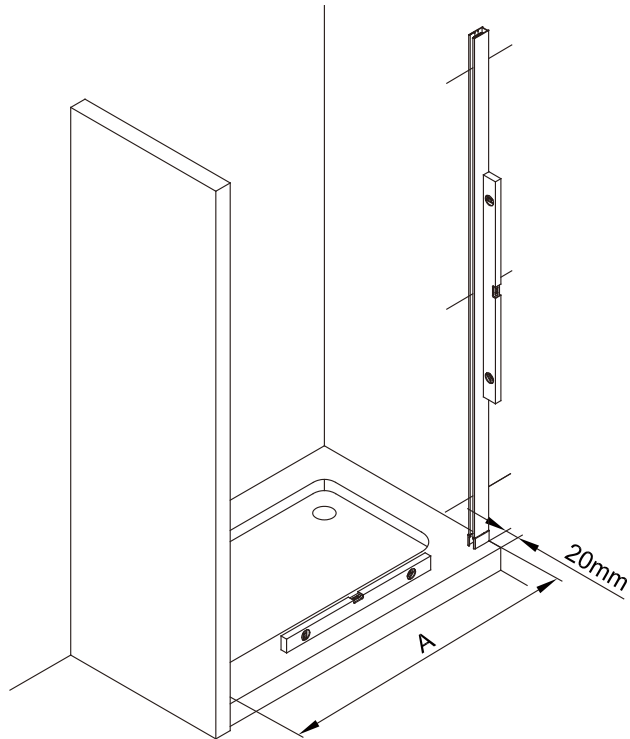
Left hand



Right hand



Step 2



2a

Left hand Right hand

2b

Inside

Model	A (mm)
DHDSC0700+	670~695
DHDSC0760+	730~755
DHDSC0800+	770~795
DHDSC0900+	870~895
DHDSC1000+	970~995
DHDSC1100+	1070~1095
DHDSC1200+	1170~1195
PRDBC0800	770~795
PRDBC0900	870~895
PRDBC1000	970~995
PRDBC1200	1170~1195

2c

Ø6 mm

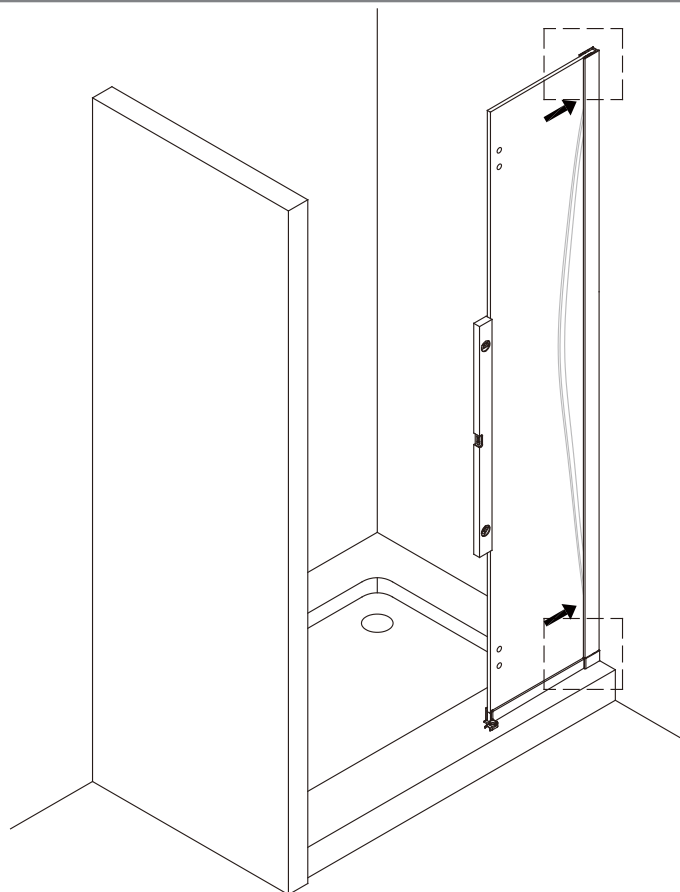
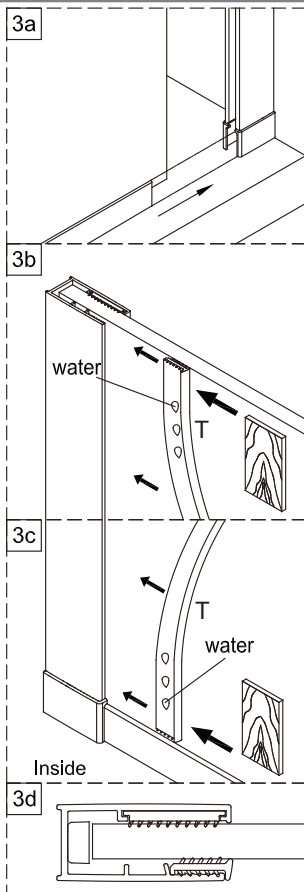
2d

C

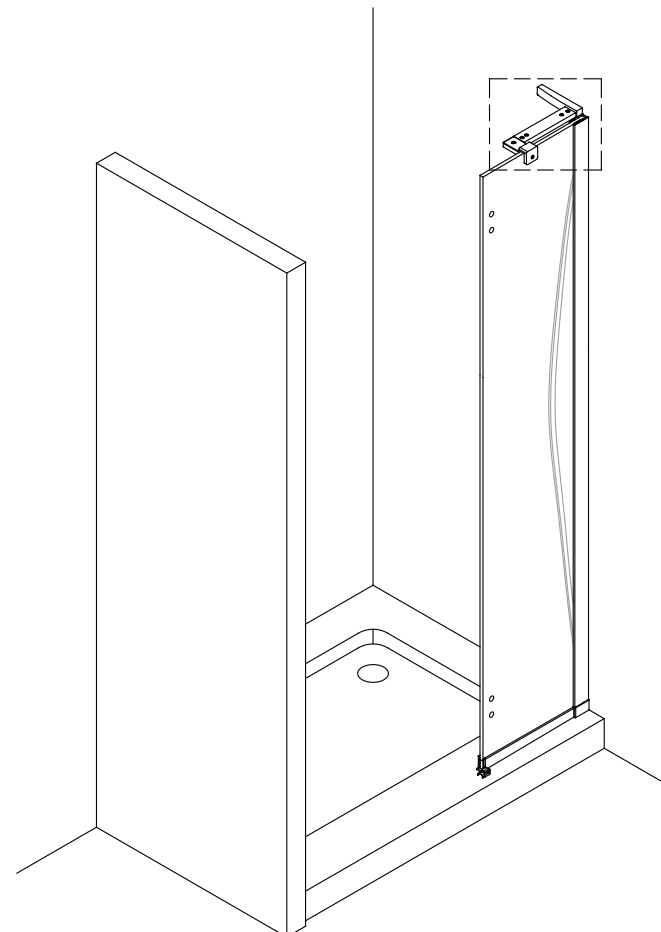
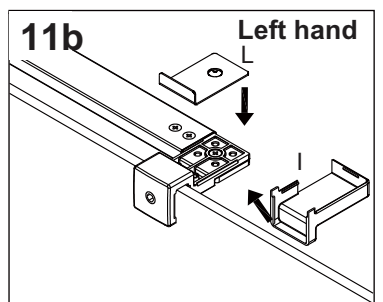
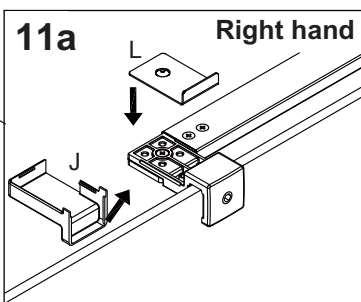
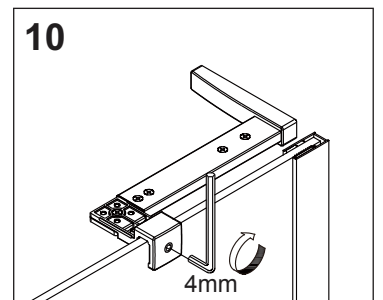
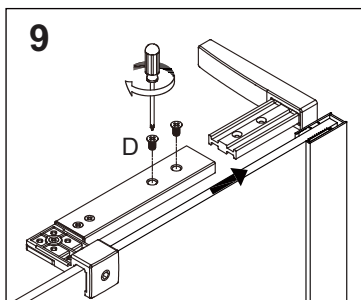
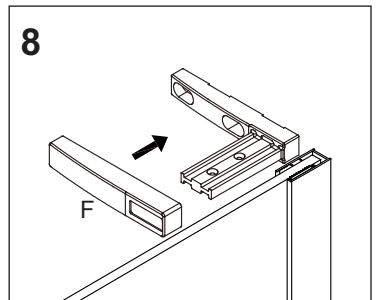
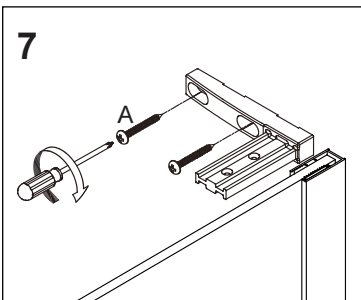
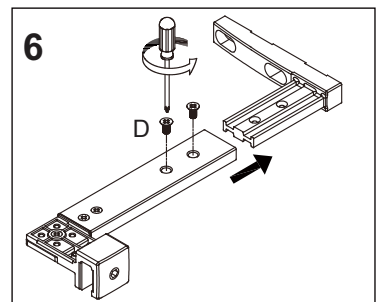
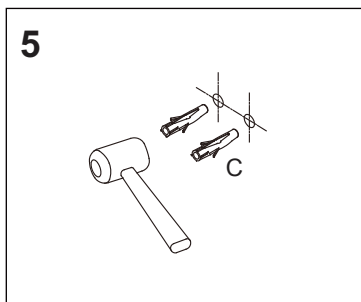
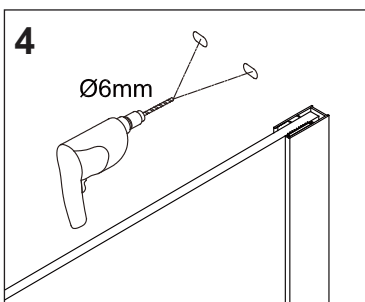
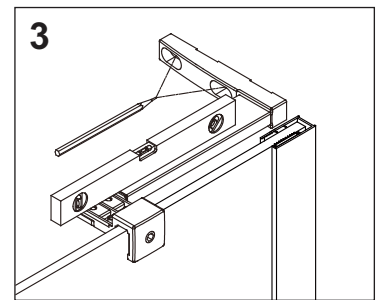
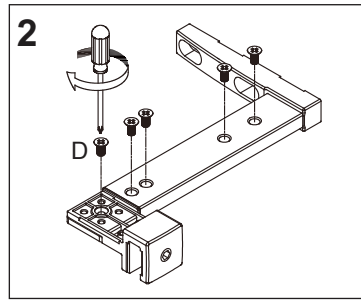
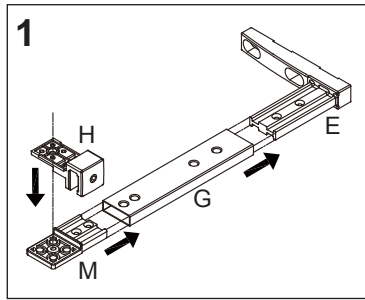
2e

B

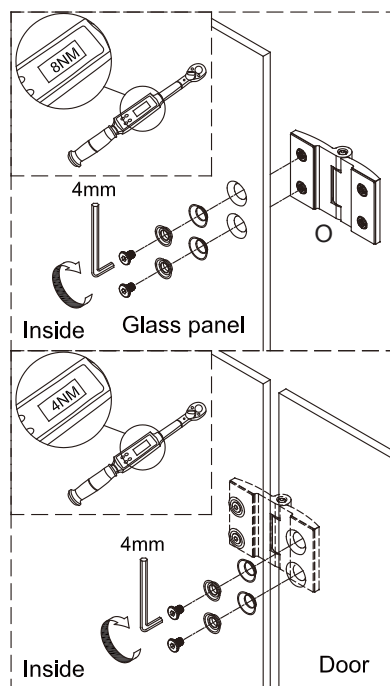
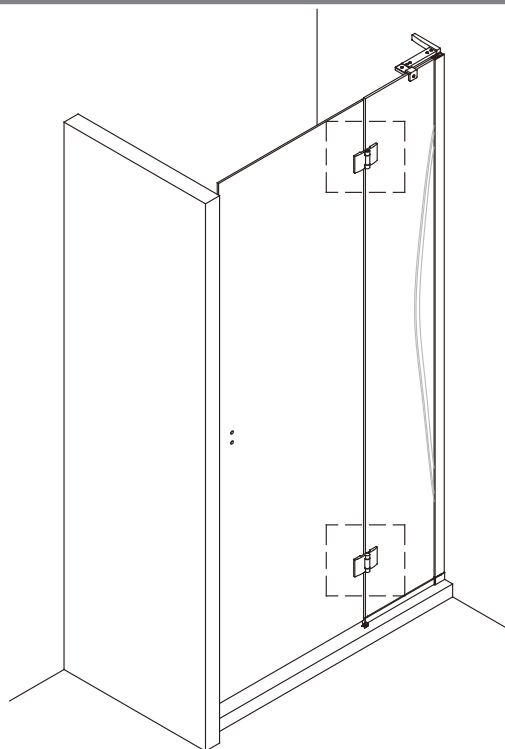
Step 3



Step 4



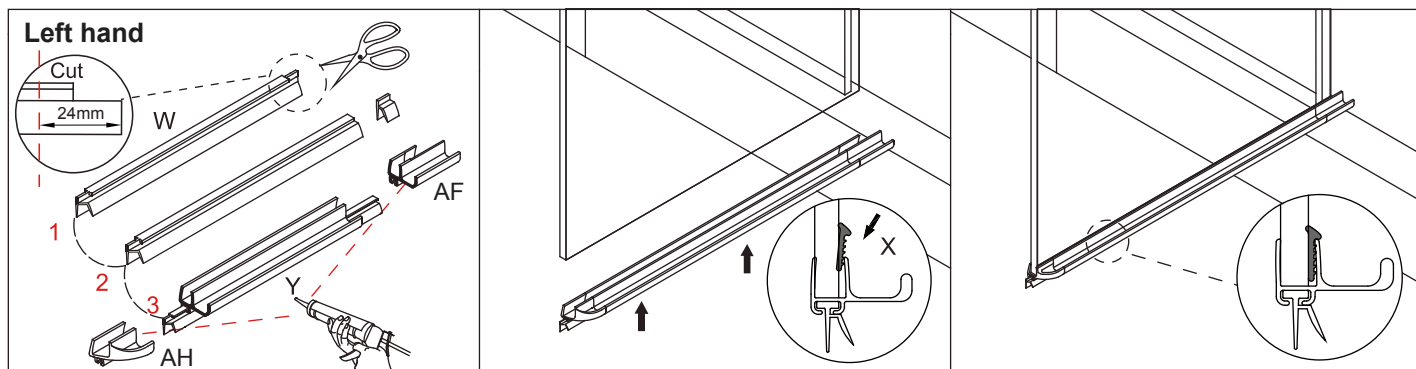
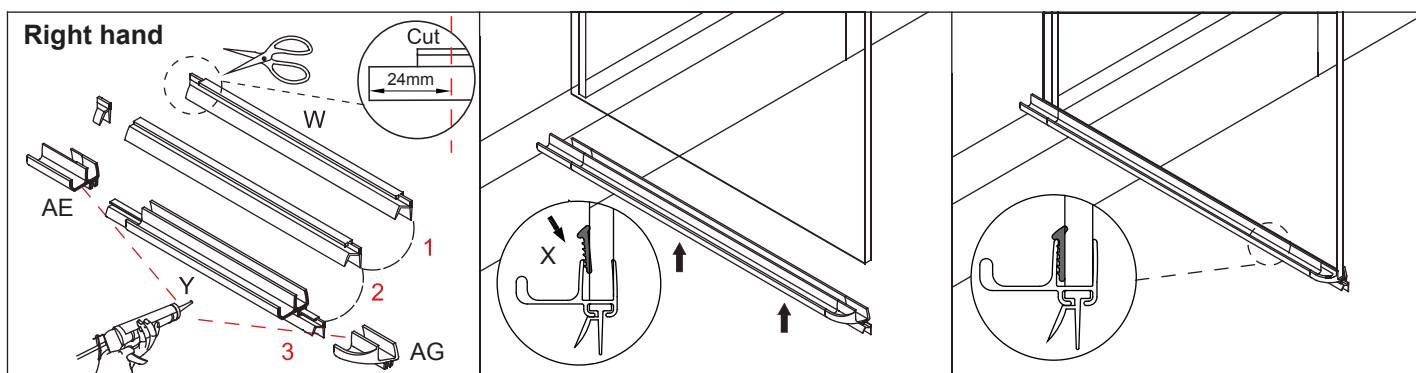
Step 5



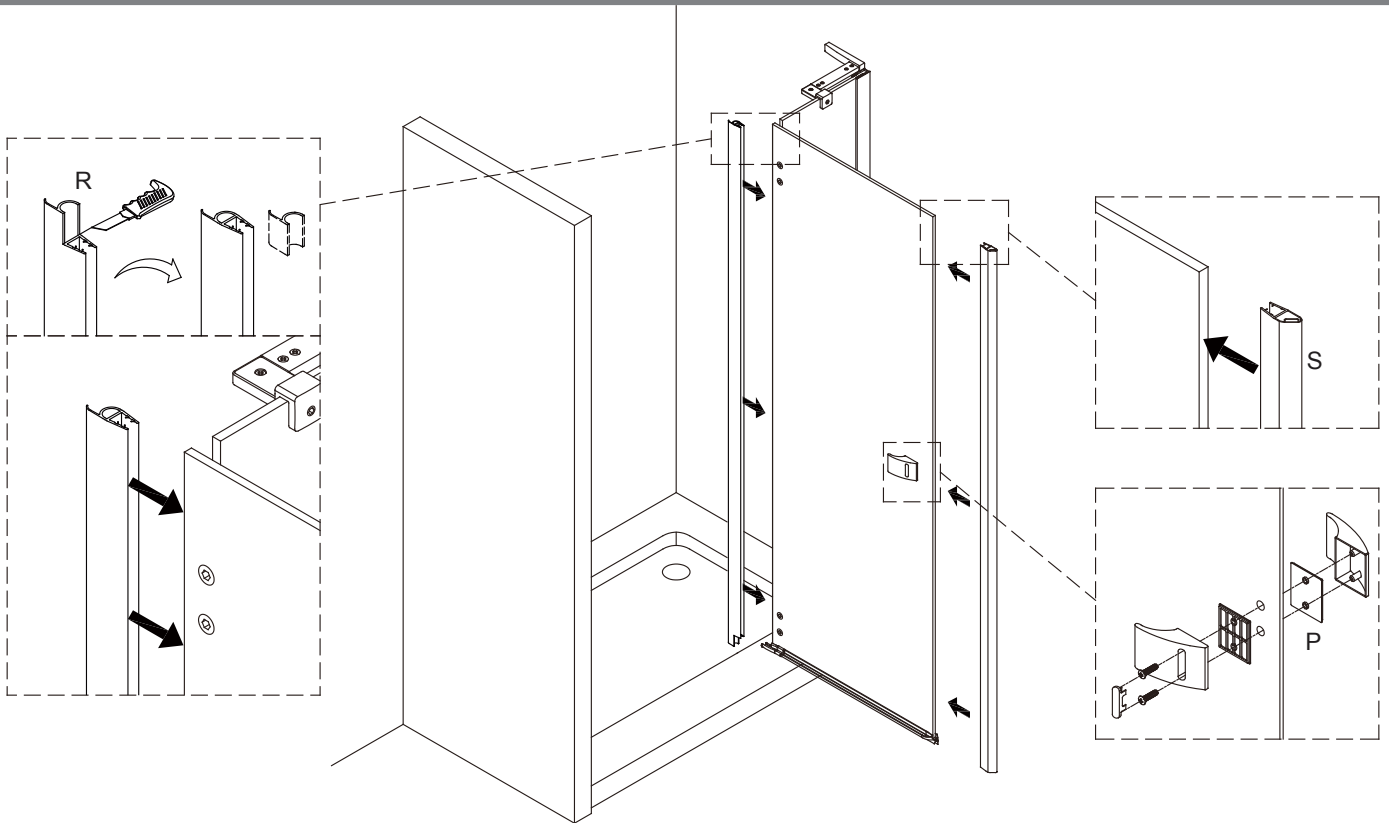
Step 6

Depending on whether you have a right hand or left hand hinged door please select the correct diagram shown below for the fitting of the Water Channel, Water Channel Ends and Bottom Waterproof Strip.

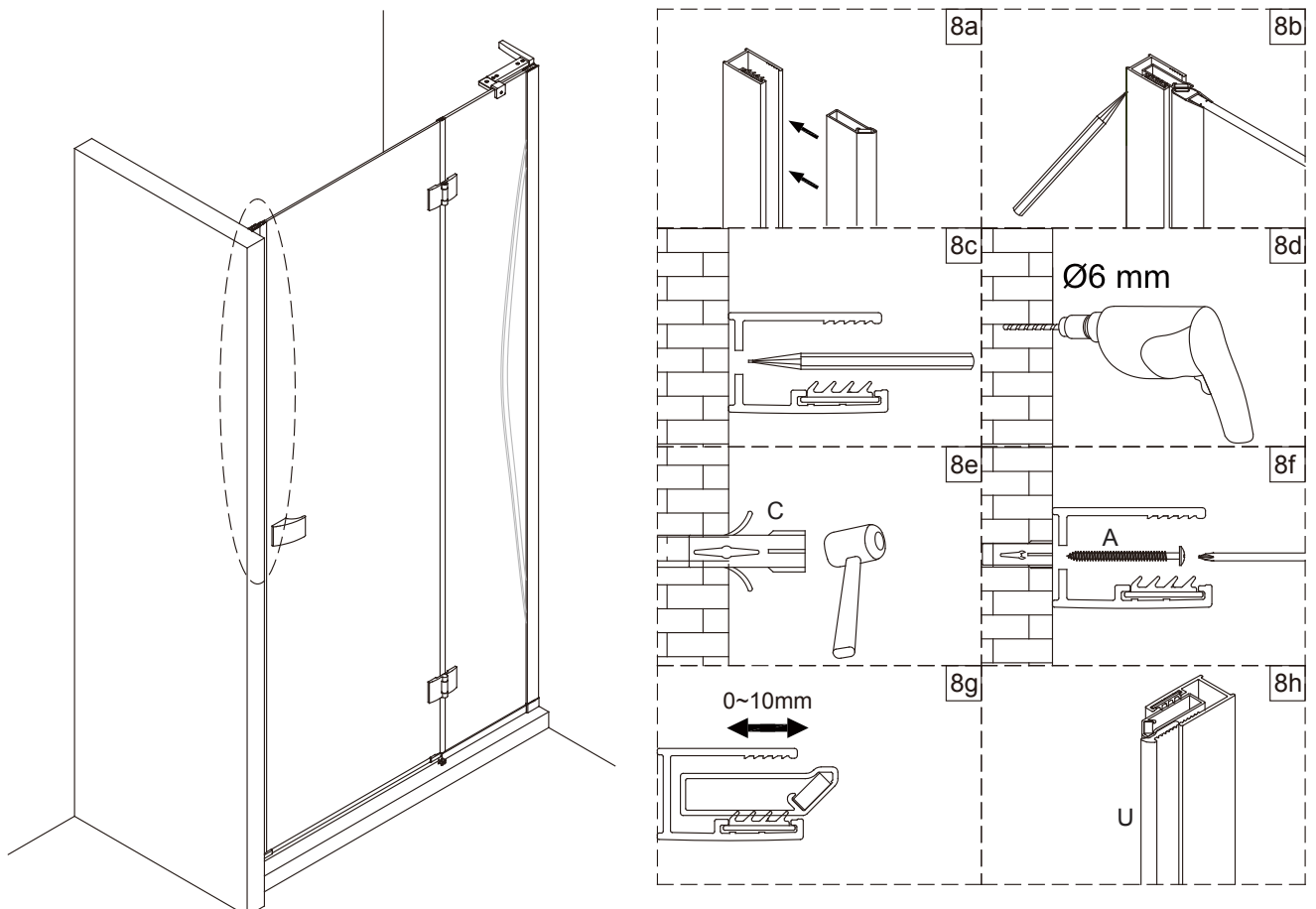
1. Depending on left or right hand installation cut the redundant end of Bottom Waterproof Strip (W), cut off evenly the stepped section.
2. Insert Bottom Waterproof Strip (W) into Water Channel Middle (Y) with profile end to Non hinged side of door making sure it goes completely home into Water Channel End (AG) or (AH).
3. Slide Water Channel End (AE) or (AF) onto Bottom Waterproof Strip (W) and Water Channel Middle (Y) using silicone sealant on joint faces.
4. Slide Water Channel End (AG) or (AH) onto Bottom Waterproof Strip (W) and Water Channel Middle (Y) using silicone sealant on joint faces.
5. Insert completed assembly onto bottom of door and fit Plastic Seal Strip (X).



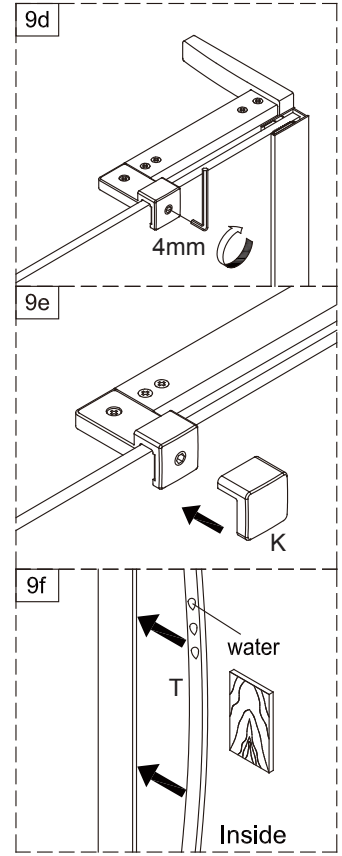
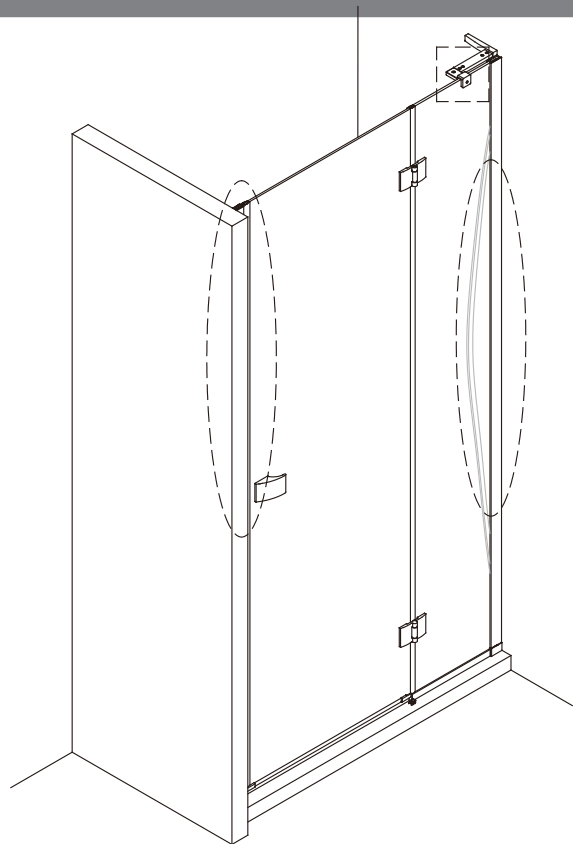
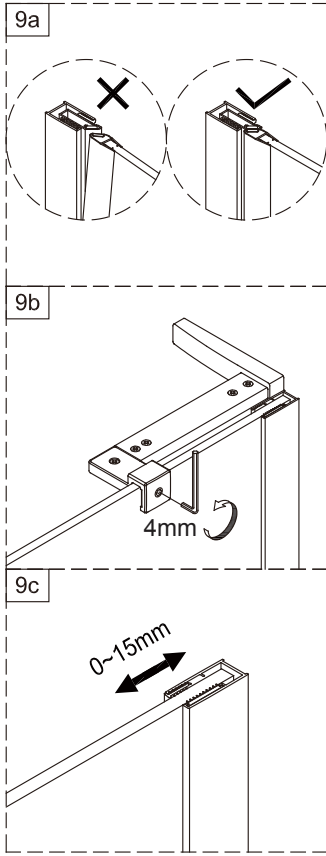
Step 7



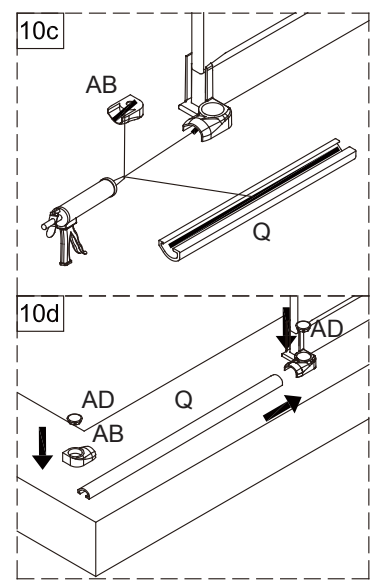
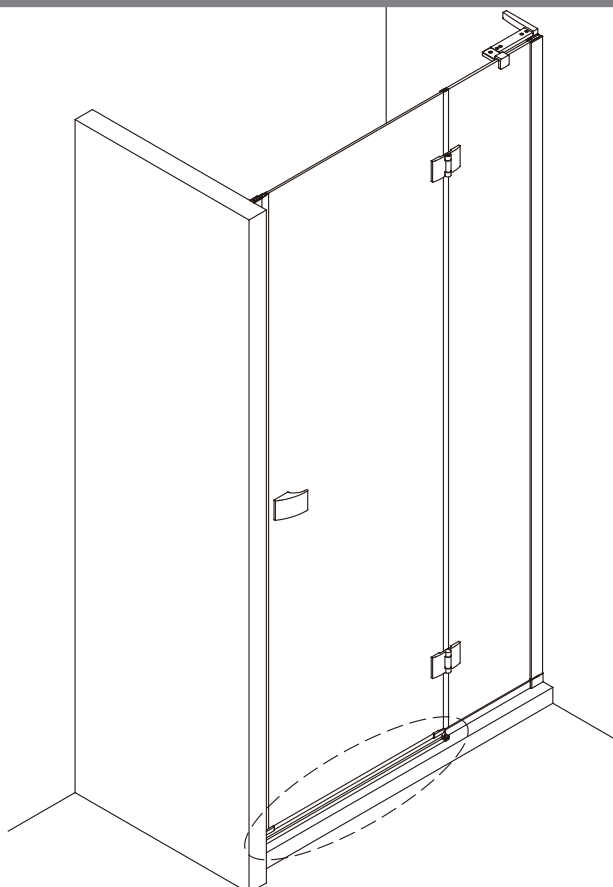
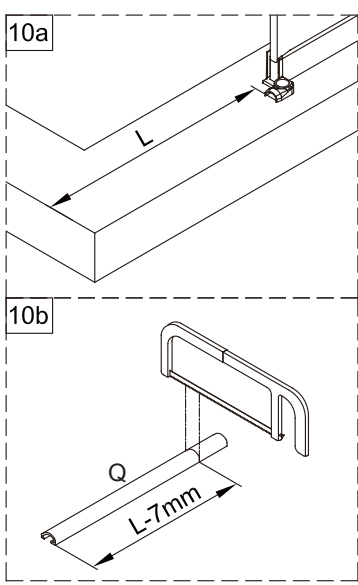
Step 8



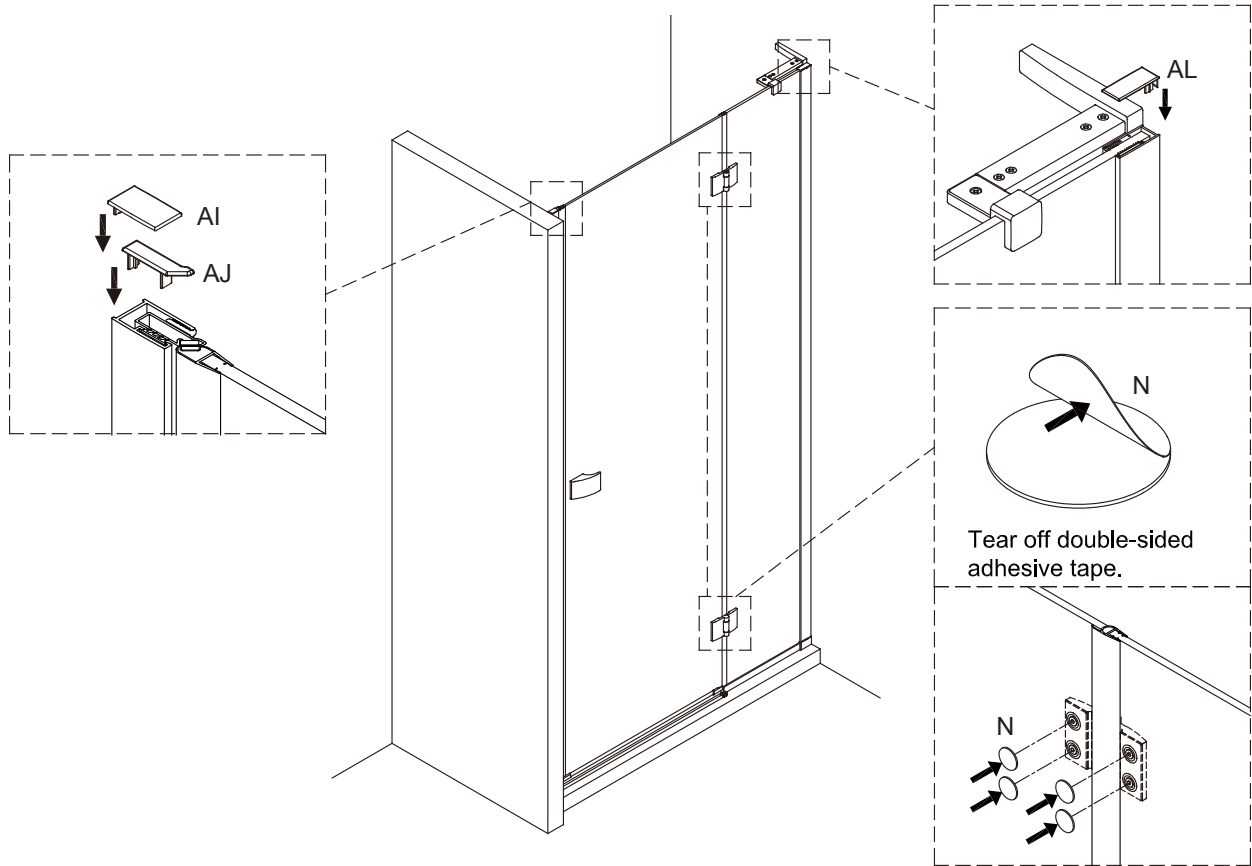
Step 9



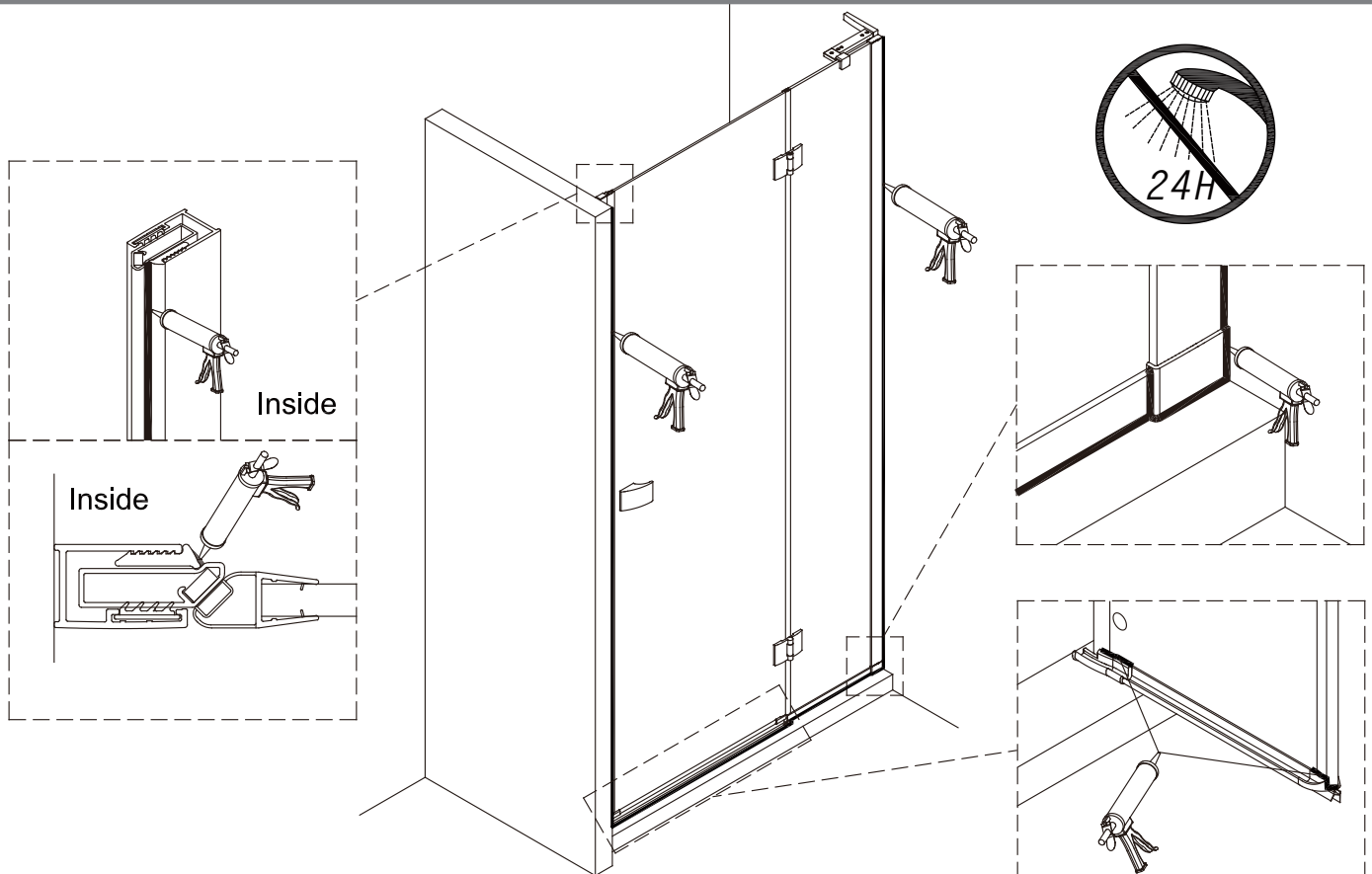
Step 10



Step 11

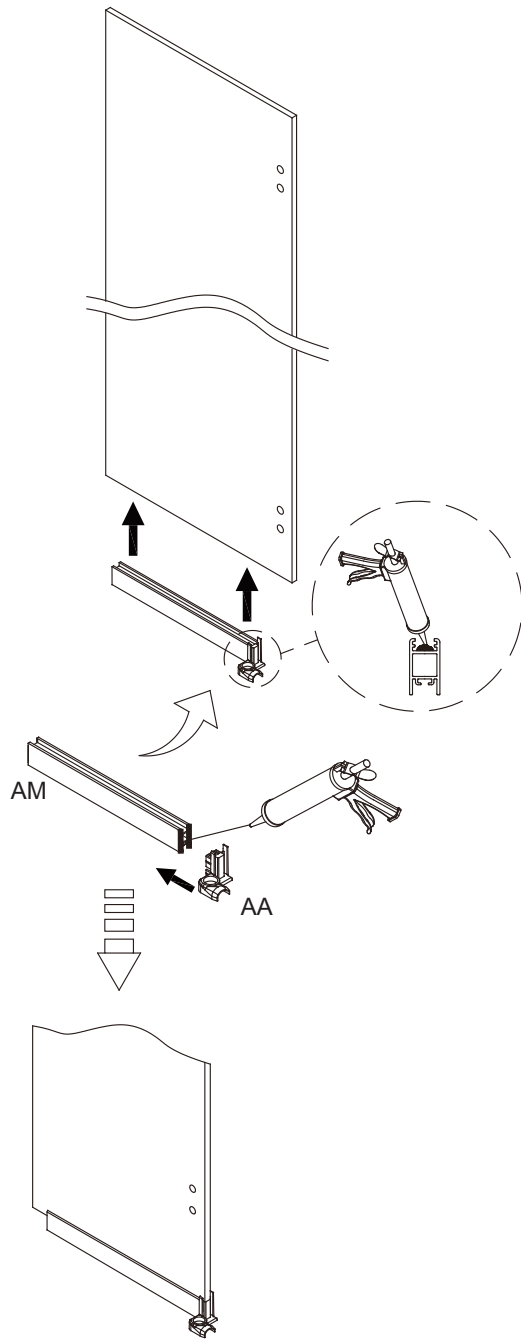


Step 12

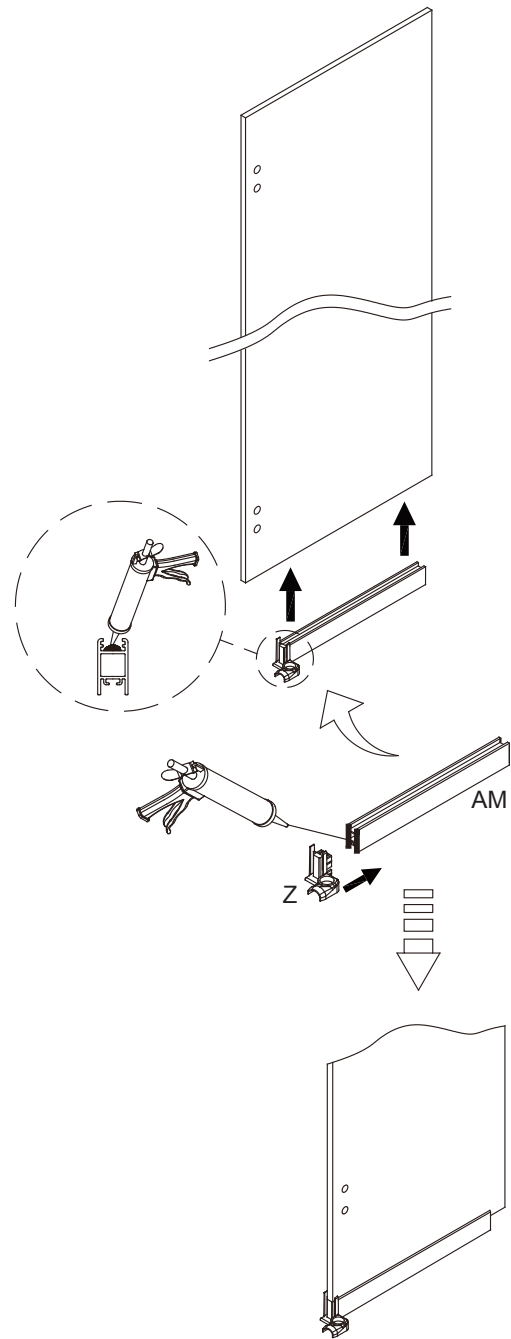


Step 1

Left hand



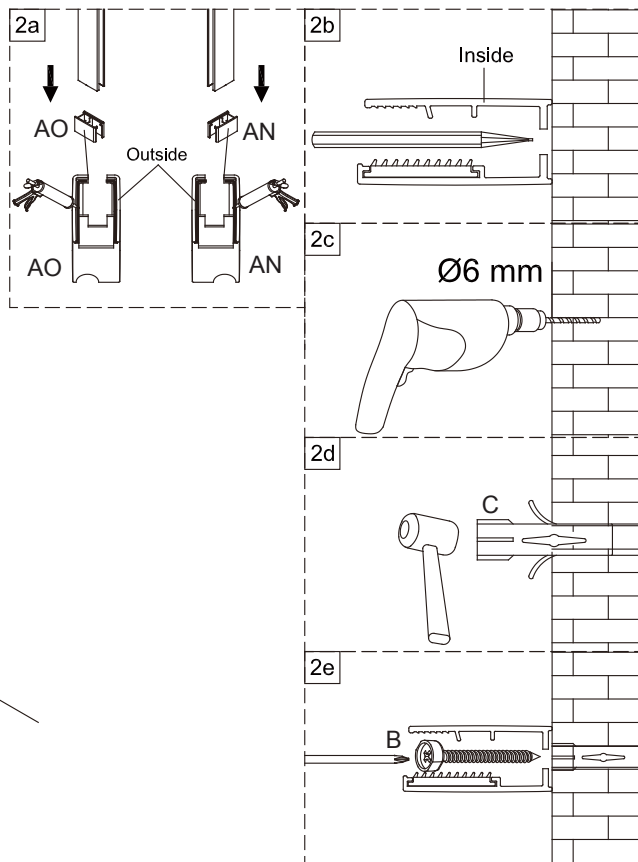
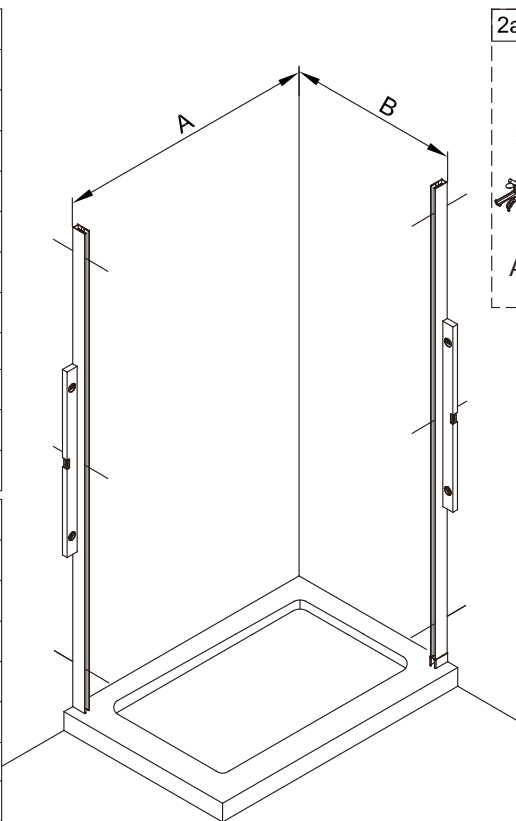
Right hand



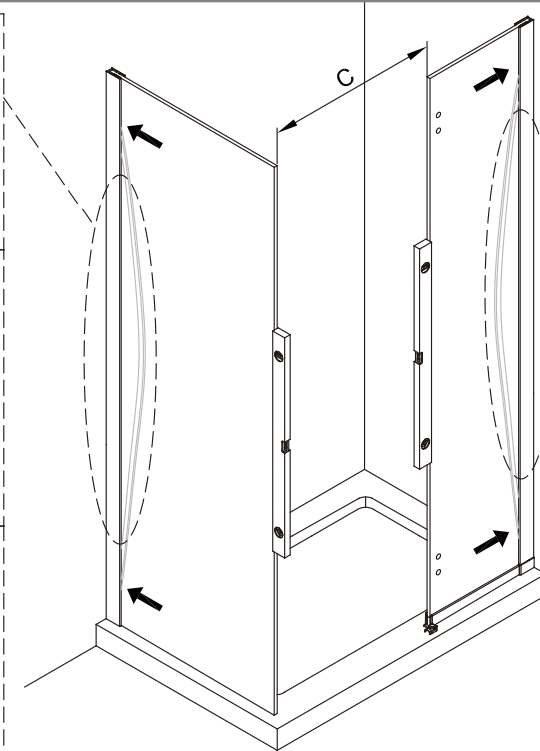
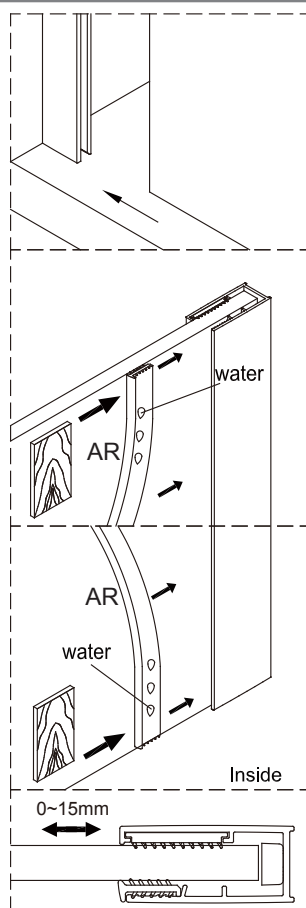
Step 2

Model	A (mm)
DHDSC0700+	648~663
DHDSC0760+	708~723
DHDSC0800+	748~763
DHDSC0900+	848~863
DHDSC1000+	948~963
DHDSC1100+	1048~1063
DHDSC1200+	1148~1163
PRDBC0800	748~763
PRDBC0900	848~863
PRDBC1000	948~963
PRDBC1200	1148~1163

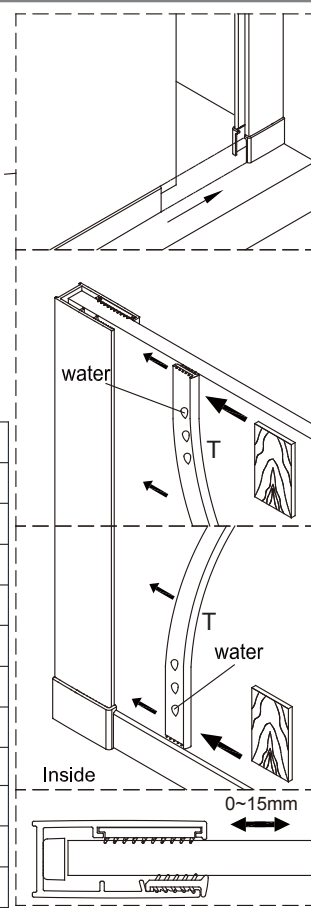
Model	B (mm)
DSPSC0700+	664~679
DSPSC0760+	724~739
DSPSC0800+	764~779
DSPSC0900+	864~879
DSPSC1000+	964~979
PRSPB0800	764~779
PRSPB0900	864~879
PRSPB1000	964~979



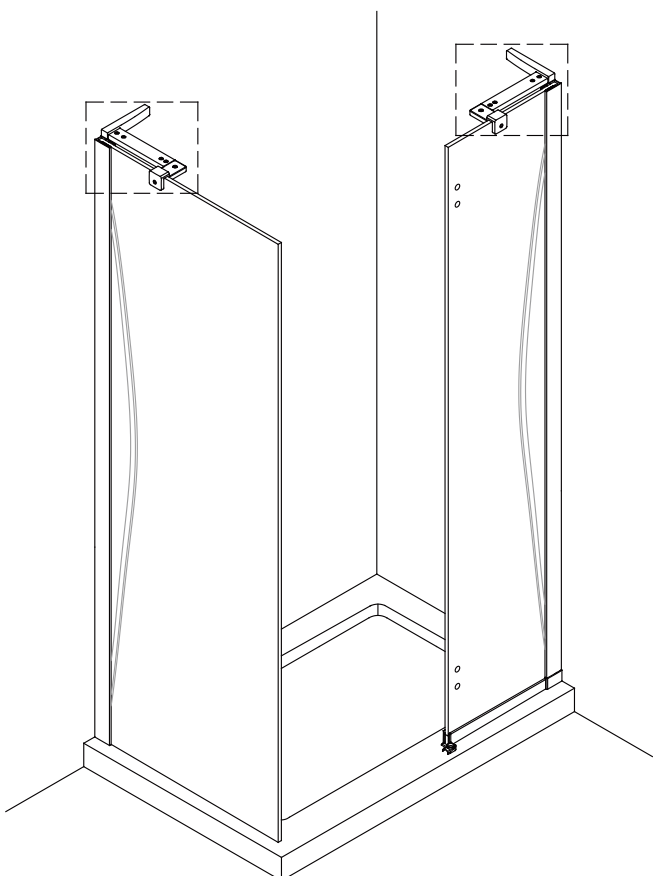
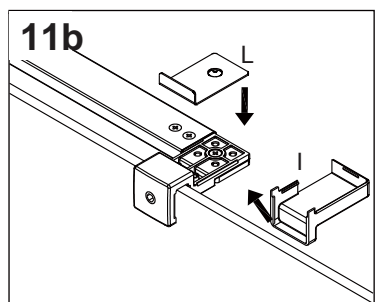
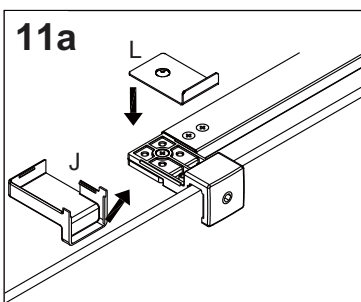
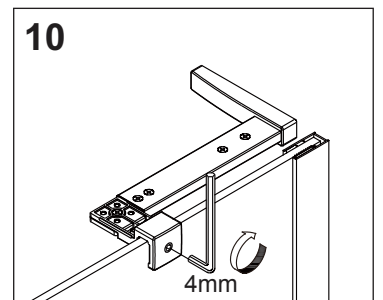
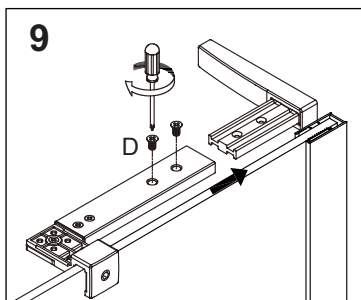
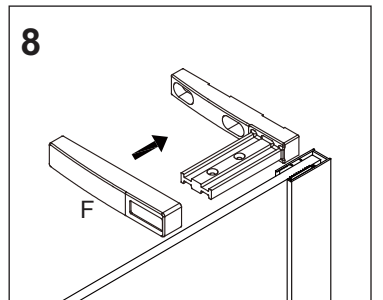
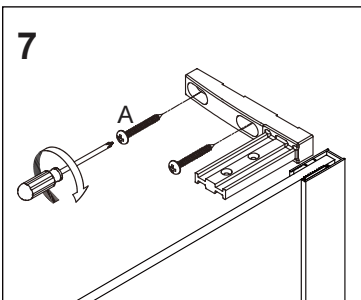
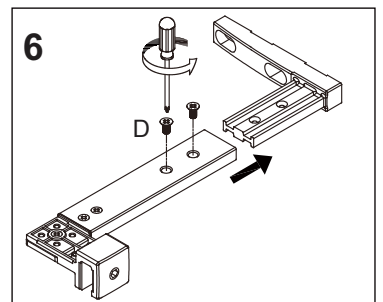
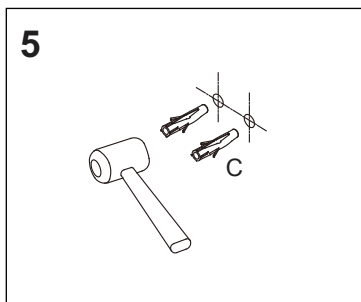
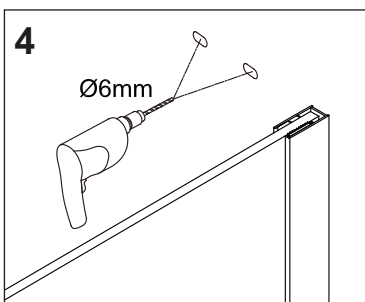
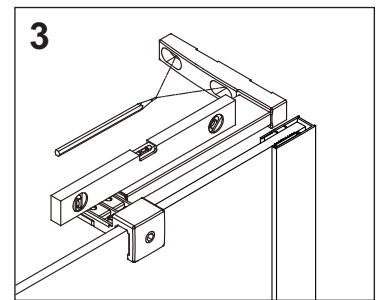
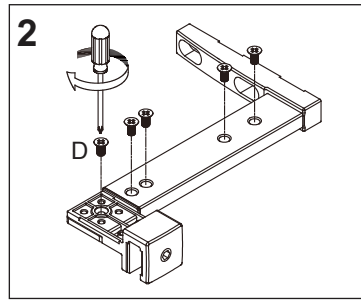
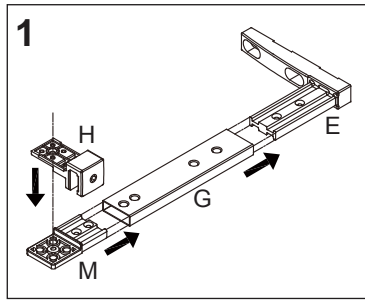
Step 3



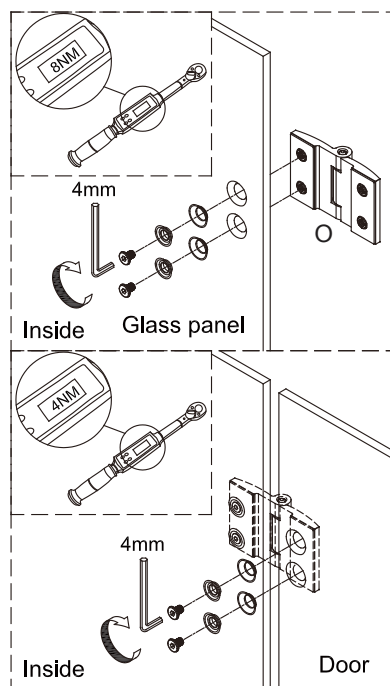
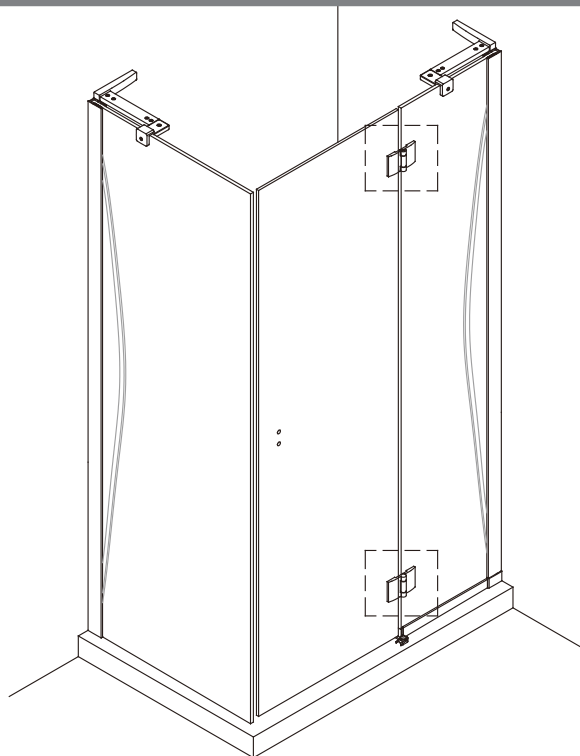
Model	C (mm)
DHDSC0700+	465
DHDSC0760+	525
DHDSC0800+	565
DHDSC0900+	615
DHDSC1000+	615
DHDSC1100+	665
DHDSC1200+	665
PRDBC0800	565
PRDBC0900	615
PRDBC1000	615
PRDBC1200	665



Step 4



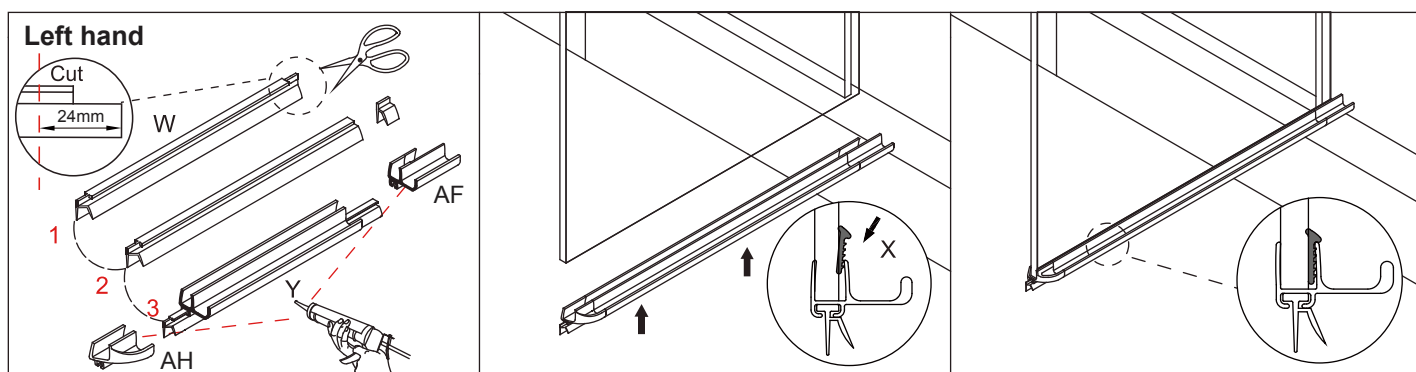
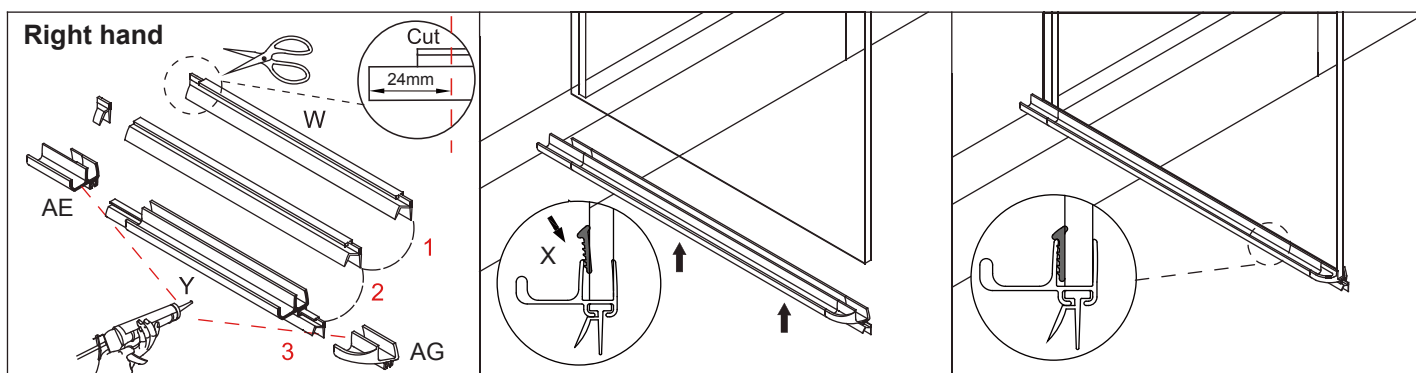
Step 5



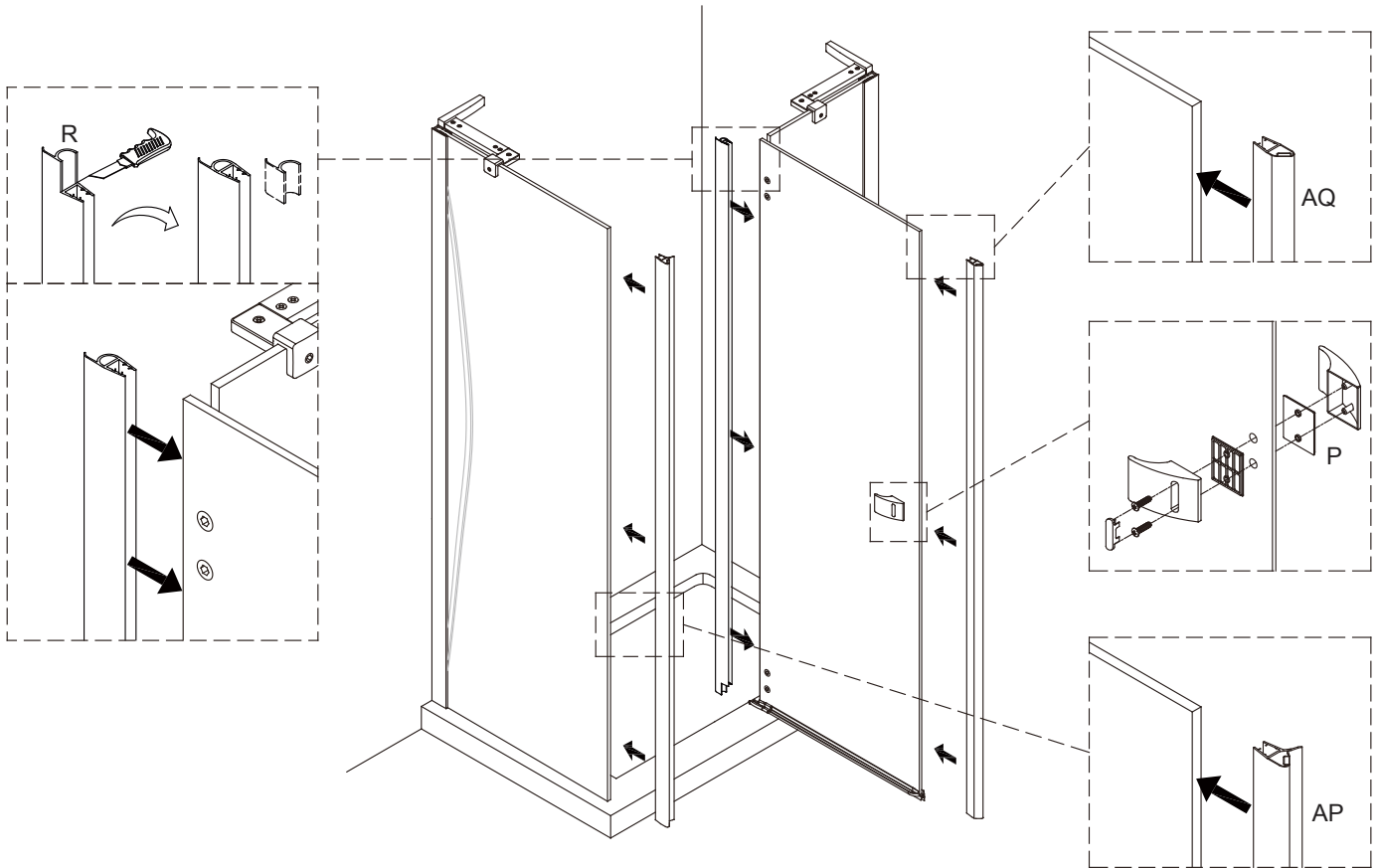
Step 6

Depending on whether you have a right hand or left hand hinged door please select the correct diagram shown below for the fitting of the Water Channel, Water Channel Ends and Bottom Waterproof Strip.

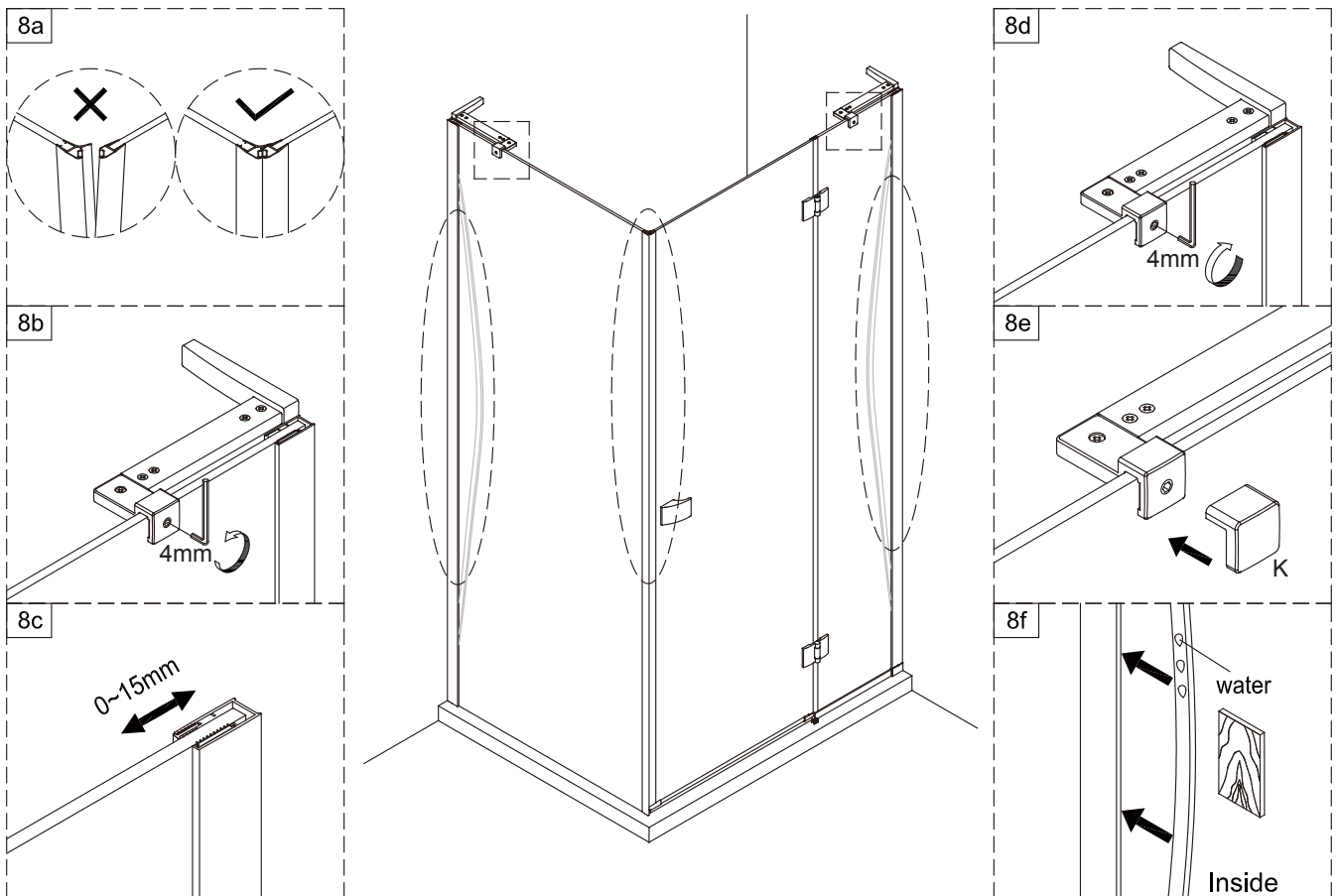
1. Depending on left or right hand installation cut the redundant end of Bottom Waterproof Strip (W), cut off evenly the stepped section.
2. Insert Bottom Waterproof Strip (W) into Water Channel Middle (Y) with profile end to Non hinged side of door making sure it goes completely home into Water Channel End (AG) or (AH).
3. Slide Water Channel End (AE) or (AF) onto Bottom Waterproof Strip (W) and Water Channel Middle (Y) using silicone sealant on joint faces.
4. Slide Water Channel End (AG) or (AH) onto Bottom Waterproof Strip (W) and Water Channel Middle (Y) using silicone sealant on joint faces.
5. Insert completed assembly onto bottom of door and fit Plastic Seal Strip (X).



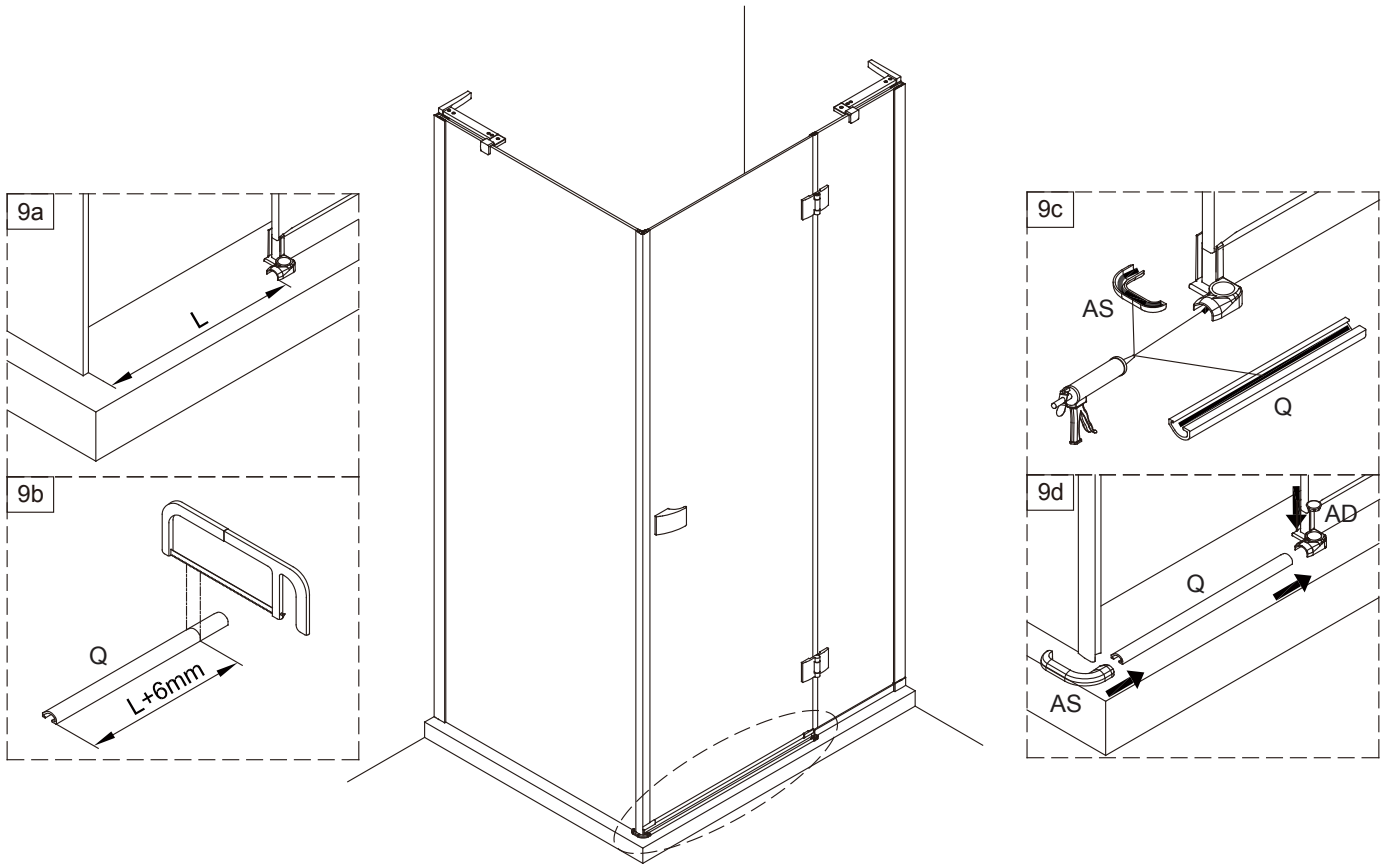
Step 7



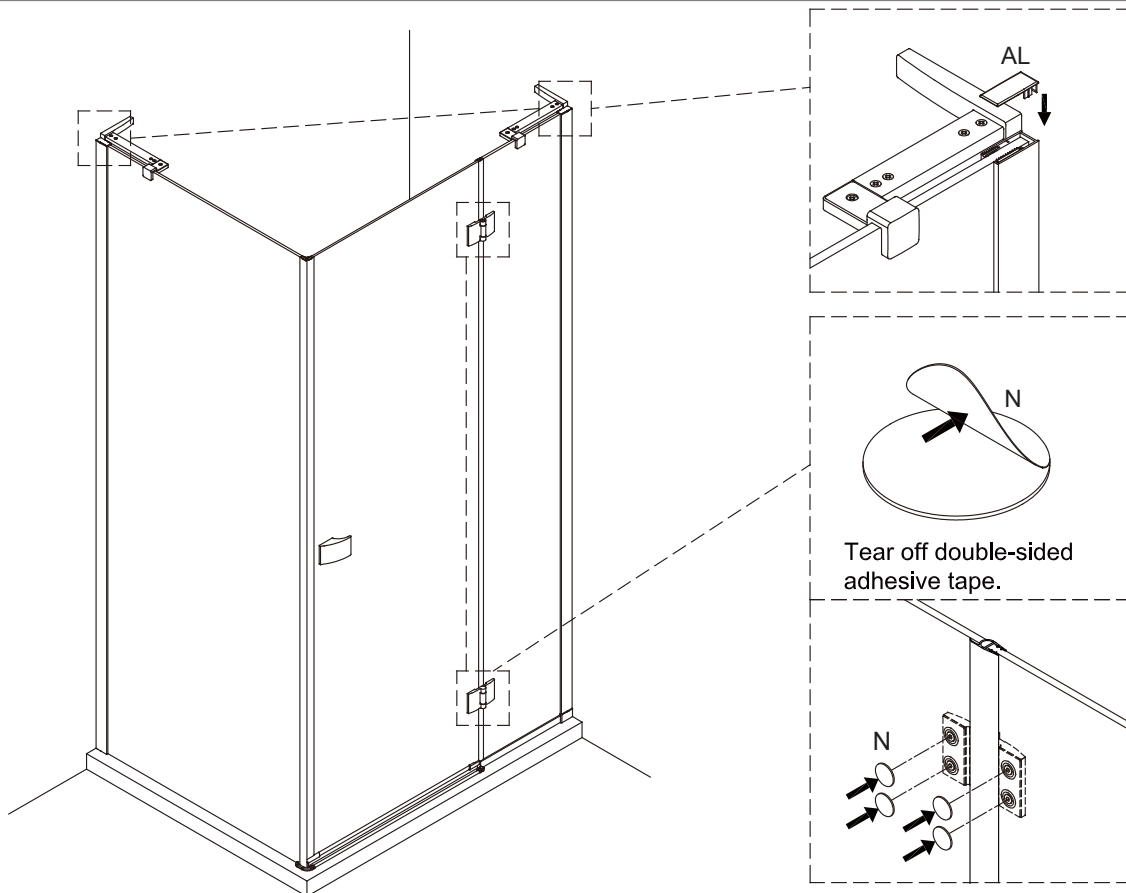
Step 8



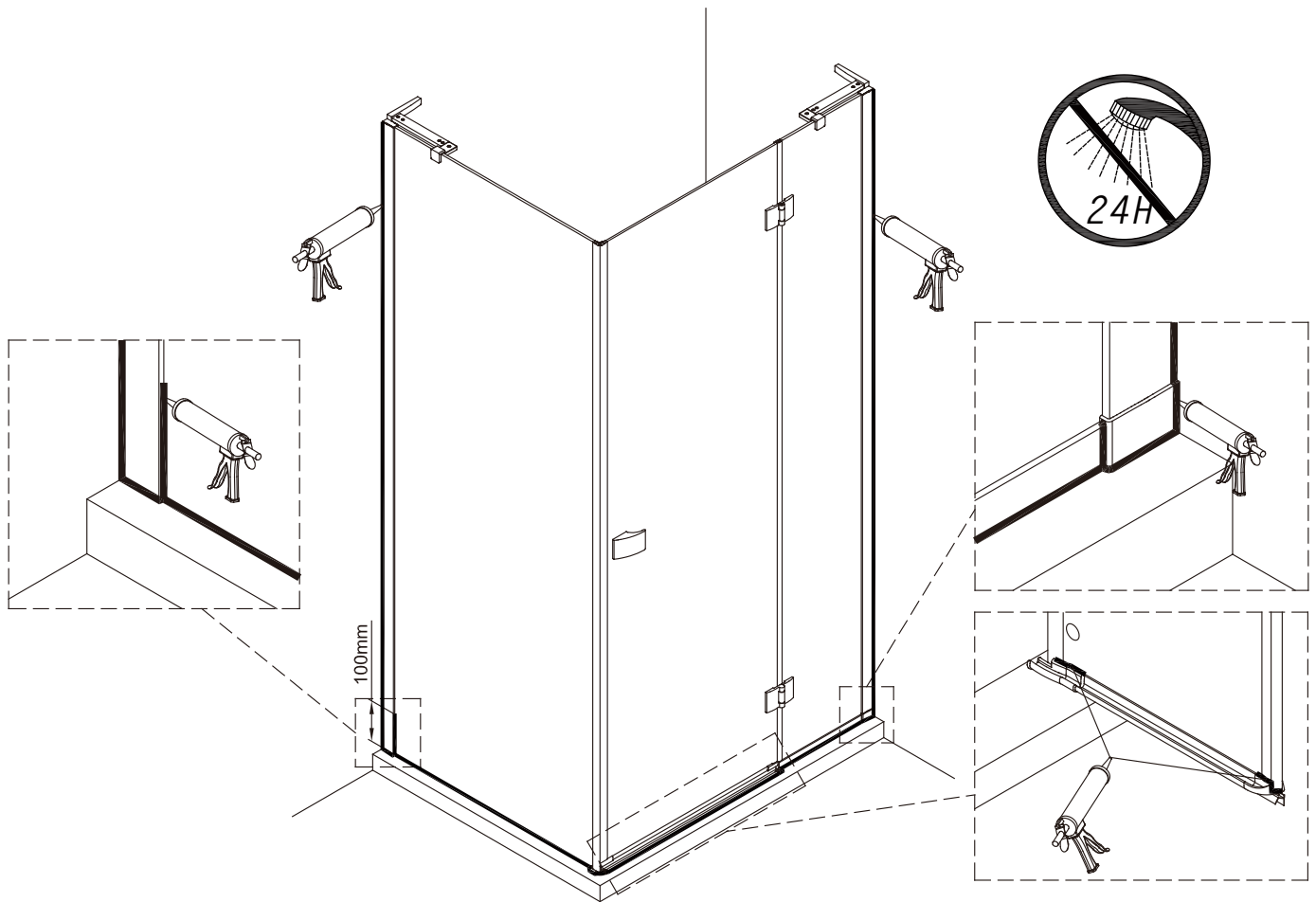
Step 9



Step 10



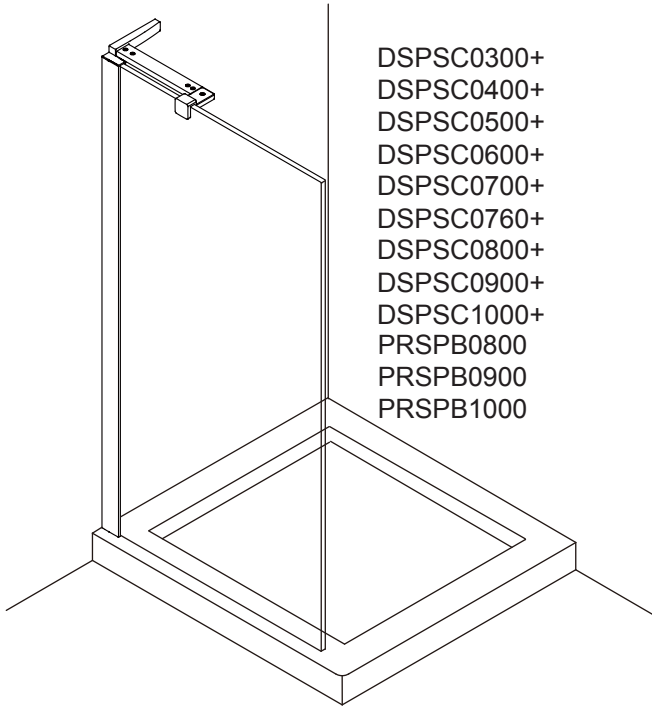
Step 11



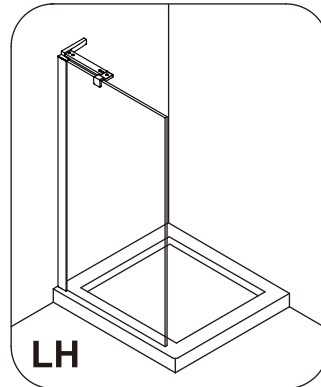
SIDE PANEL

THESE INSTRUCTIONS SHOULD BE USED ONLY WHEN USING AS A WALK IN PANEL. IF INSTALLING WITH A DOOR PLEASE REFER TO THE FITTING INSTRUCTIONS INCLUDED WITH THE DOOR.

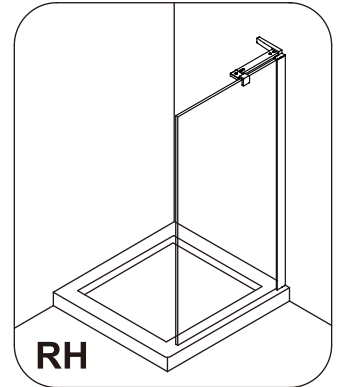
DSPSC0300+ PRSPB0800
 DSPSC0400+ PRSPB0900
 DSPSC0500+ PRSPB1000
 DSPSC0600+ PRSPB1200
 DSPSC0700+
 DSPSC0760+
 DSPSC0800+
 DSPSC0900+
 DSPSC1000+
 DSPSC1100+
 DSPSC1200+
 DSPSC1400+



DSPSC0300+
 DSPSC0400+
 DSPSC0500+
 DSPSC0600+
 DSPSC0700+
 DSPSC0760+
 DSPSC0800+
 DSPSC0900+
 DSPSC1000+
 PRSPB0800
 PRSPB0900
 PRSPB1000

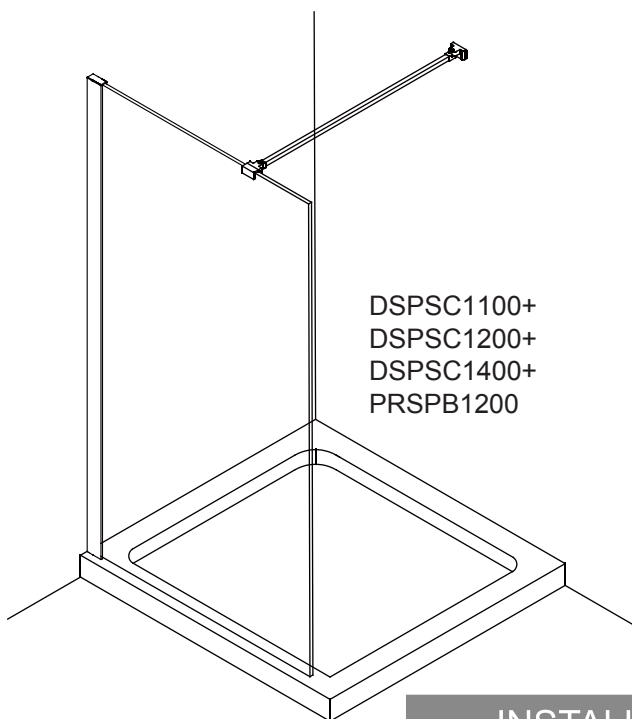


LH

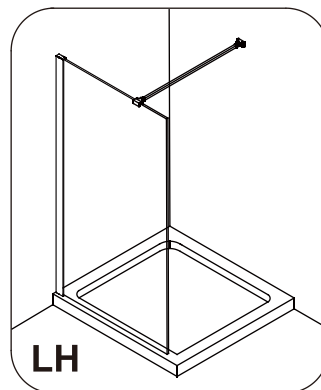


RH

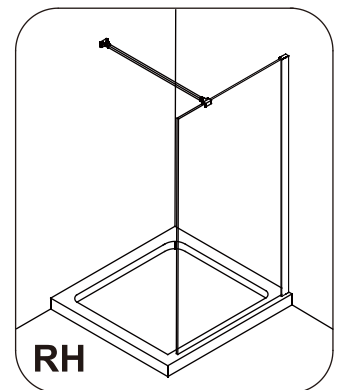
The side panel is reversible for left or right hand fitting, simply turn the panel up side down.



DSPSC1100+
 DSPSC1200+
 DSPSC1400+
 PRSPB1200



LH



RH

The side panel is reversible for left or right hand fitting, simply turn the panel up side down.

INSTALLATION INSTRUCTIONS

crosswater [®]
 SHOWERING

IMPORTANT - Please read before installation

Please read these instructions carefully before starting installation and keep in a safe place for future reference.

Check the contents of the pack carefully before installation. Simpsons will not be held responsible for any de-fit / re-fit costs where faulty product has been fitted.

If any fault is found with materials or workmanship, it must be reported immediately to the manufacturer. Remedial action will be taken, based on information received, on condition that:

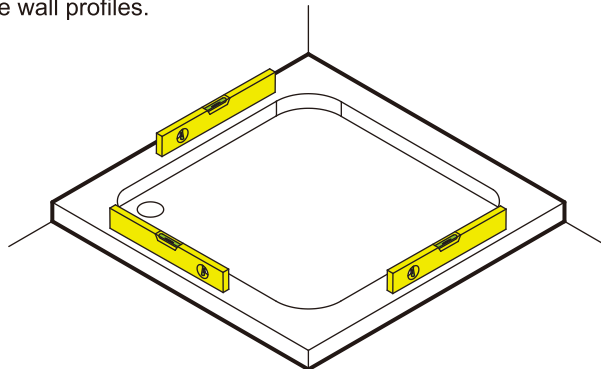
1. Full details are supplied to the manufacturer;
2. The enclosure has not been modified or tampered with;
3. The manufacturer is informed of any damage/shortages prior to installation.

We do not accept responsibility for any problems that may occur through incorrect installation.

The success of the installation and operation of any shower enclosure is, of course, dependant on the squareness, alignment and construction of the walls to which fixing is to be carried out.

VERY IMPORTANT

You must complete all tiling and grouting, and the shower tray **MUST** be level and fully sealed to the tiles before installation. If you do not fit the enclosure onto a tiled surface, or seal the tiles to the tray before installation, water may soak into the wall behind the wall profiles.



INSTALLATION - Advice and safety

The installation instructions are based on typical use and conditions.

The side panel is designed to mate with the hinge door to make a square enclosure, or to use alone as walk in.

These hints have been prepared for your guidance, you must exercise due care at all times.

For Health and Safety 2 people must carry out the installation of this enclosure.

Handle glass with care. Although the glass supplied is toughened safety glass (EN12150), impacts can damage both the glass and the frame.

Warning!

Please check for any hidden pipes or cables before drilling holes in the wall.

When using power tools always follow the manufacturers user instructions.

If the Framework is sealed to the tray on the inside, any water that may get into the framework will not be able to drain back into the tray, this may cause the enclosure to leak.

Leave the silicone sealant to dry for 24 hours before using the enclosure.

CARE AND CLEANING

Do not use solvents or abrasive material or chemicals to clean the enclosure.

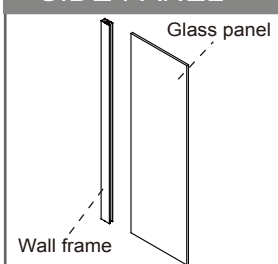
Only clean using soapy water and a soft cloth, rinse thoroughly afterwards.

CONTENTS

PARTS A1 TO A8 FOR USE WITH LARGER PANELS

A1		x 1	A2		x 1
A3		x 1	A4		x 1
A5		x 1	A6		x 1
A7		x 1	A8		x 1

SIDE PANEL



A		x 2
B		x 3
C		x 5
D		x 5
E		x 1

F		x 1	V		x 1
G		x 1	AL		x 1
H		x 1	AP		x 1
I		x 1	AQ		x 1
J		x 1	AR		x 1
K		x 1	AS		x 1
L		x 1	AT		x 1
M		x 1			

Tools and equipment needed

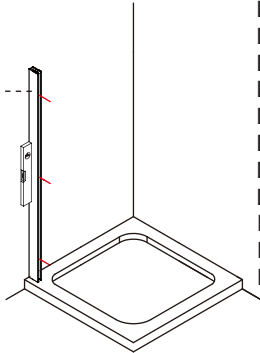
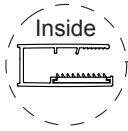
Drill, 6mm Masonry drill bit, 3.2mm General drill bit, Philips screwdriver, Slotted screwdriver, Spirit level, Pencil, Tape measure, Silicone sealant.

SIDE PANEL

Step 1 - FITTING AND POSITIONING WALL CHANNEL



Magnetic strip (AP), Magnetic strip (AQ), End part (AS), End part (AT) are required only for mating with hinged door installation. If your installation is as walk in. Please disregard these parts.



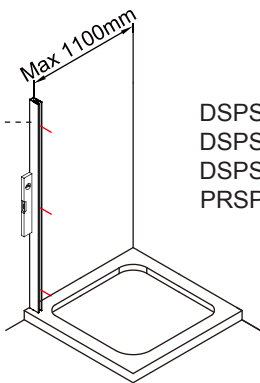
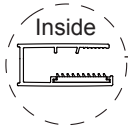
DSPSC0300+
 DSPSC0400+
 DSPSC0500+
 DSPSC0600+
 DSPSC0700+
 DSPSC0760+
 DSPSC0800+
 DSPSC0900+
 DSPSC1000+
 PRSPB0800
 PRSPB0900
 PRSPB1000

Get the wall channel from the packing. Place wall channel in position on the tray, use a spirit level to ensure that it is vertical and mark all 3 fixing holes onto the wall. We recommend the wall channel is placed not less than 10mm from the front edge of the tray.

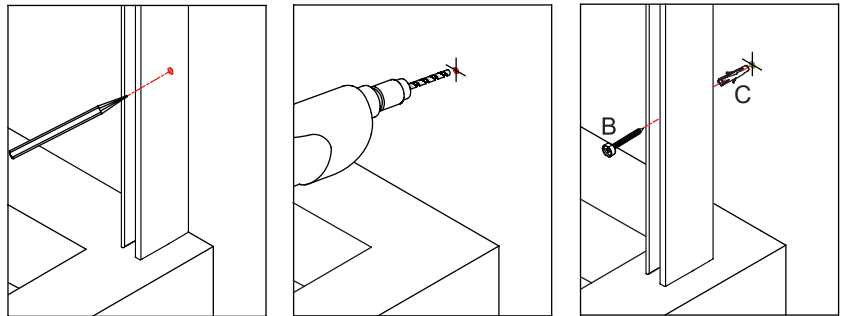
Drill holes in the positions marked using a 6mm masonry drill bit. Insert wall plugs (C) into all of the holes (beyond the thickness of the tile).

Fix the wall channel to the wall using 3 screws (B).

Note: Inject silicone sealant into the holes before inserting the screws to seal the holes.

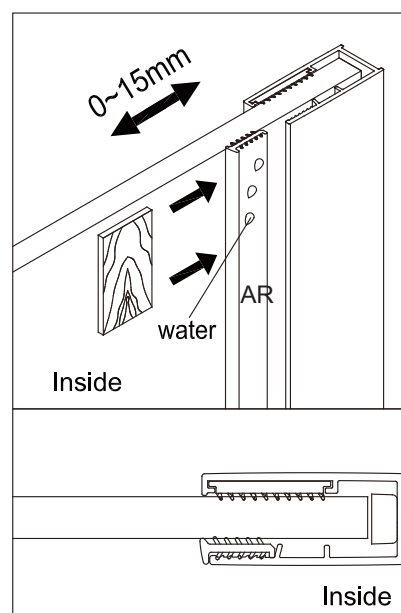
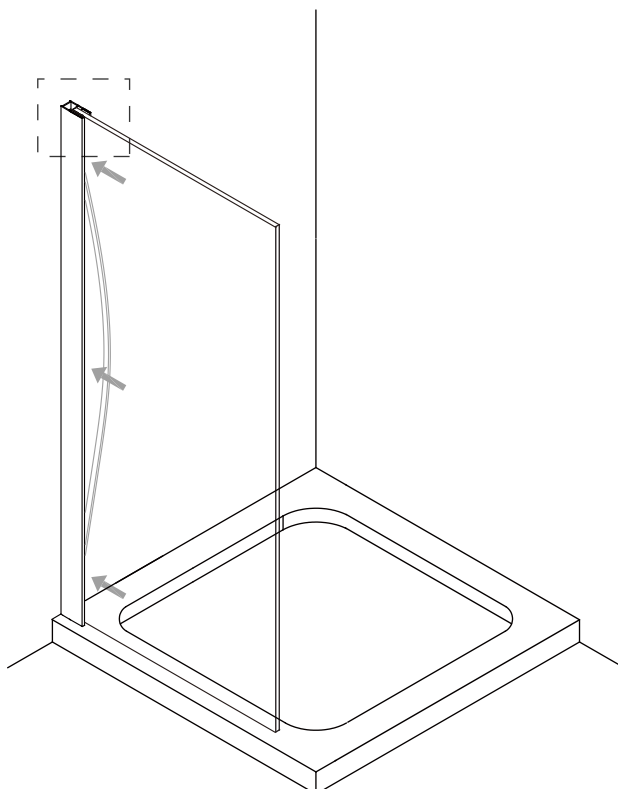


DSPSC1100+
 DSPSC1200+
 DSPSC1400+
 PRSPB1200

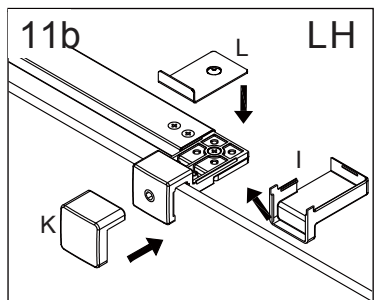
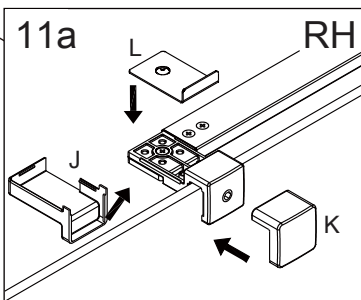
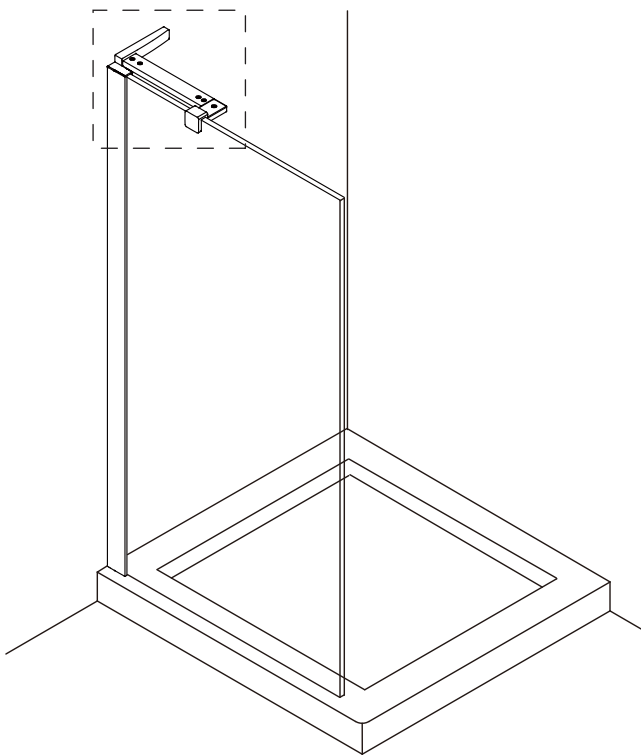
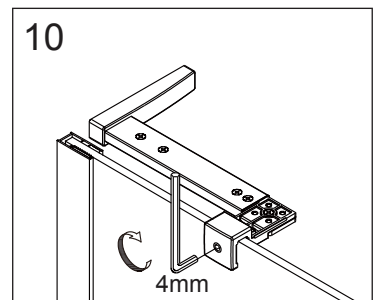
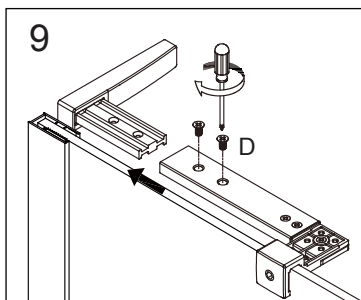
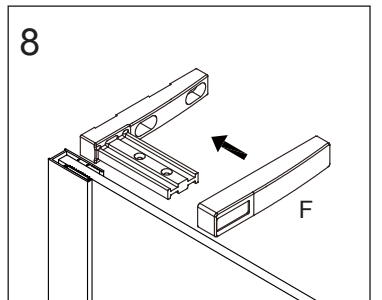
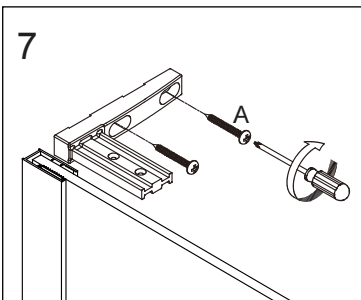
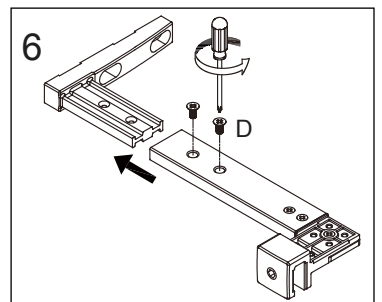
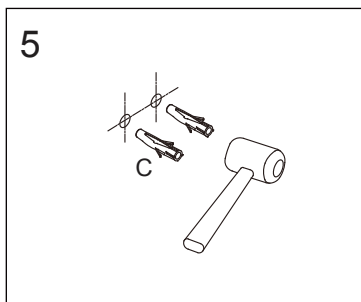
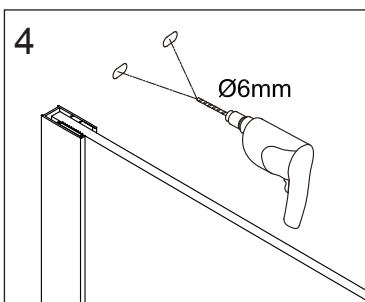
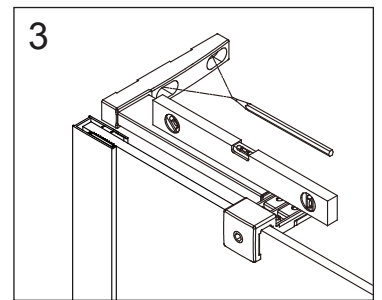
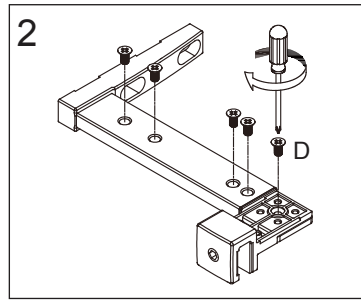
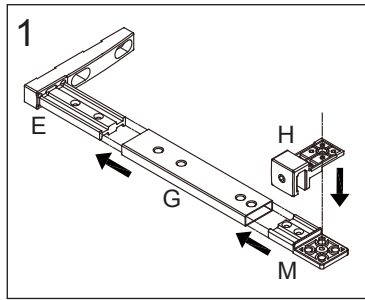


Step 2

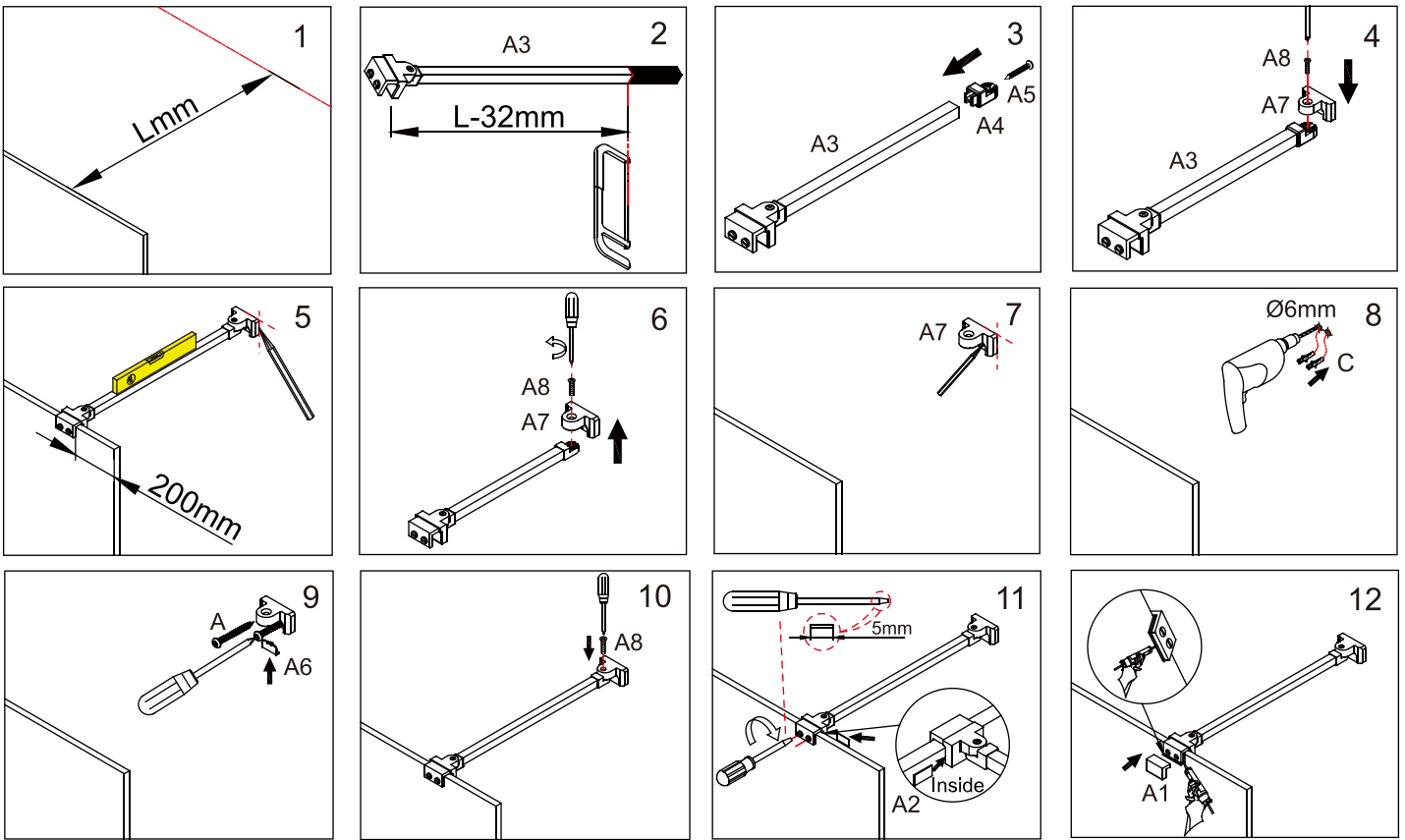
Push the side panel on to the wall channel.



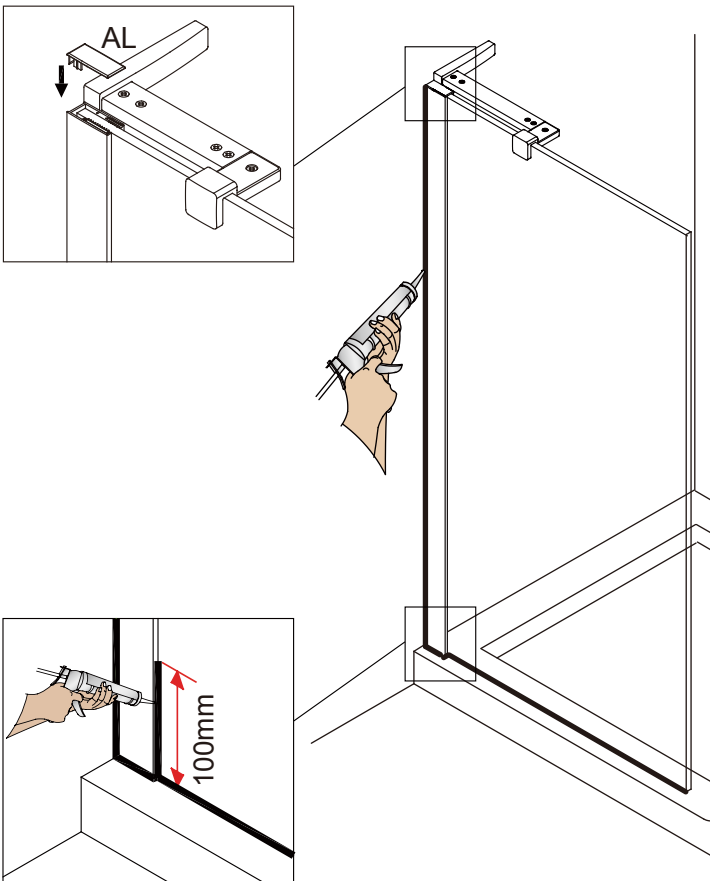
Step 3 - FITTING THE BRACING BAR



Step 3 - FITTING THE BRACING BAR FOR PANELS 1100, 1200 and 1400



Step 4



crosswater[®]
SHOWERING

For any further information please contact Crosswater
 Phone number, 0345 873 8840
 Website, crosswater.co.uk
 Email address, sales@crosswater.co.uk
 The manufacturer reserves the right to make technical
 modifications without prior notice.