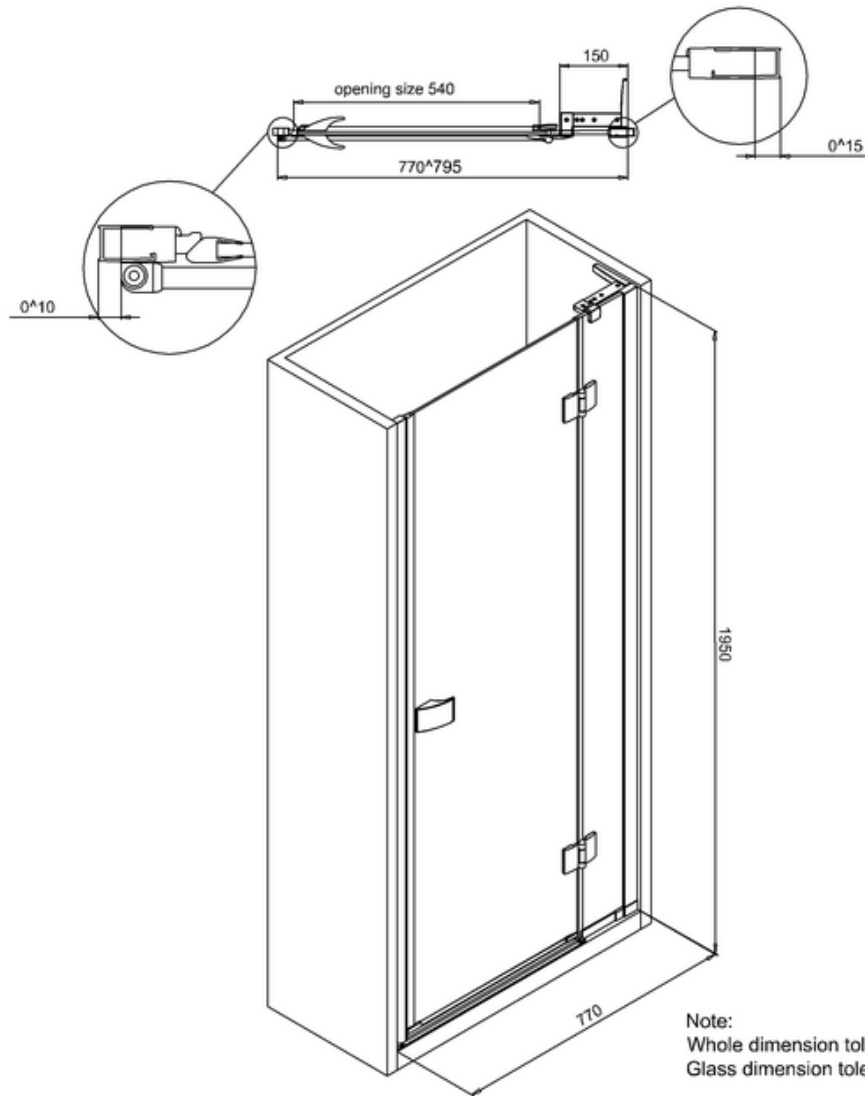
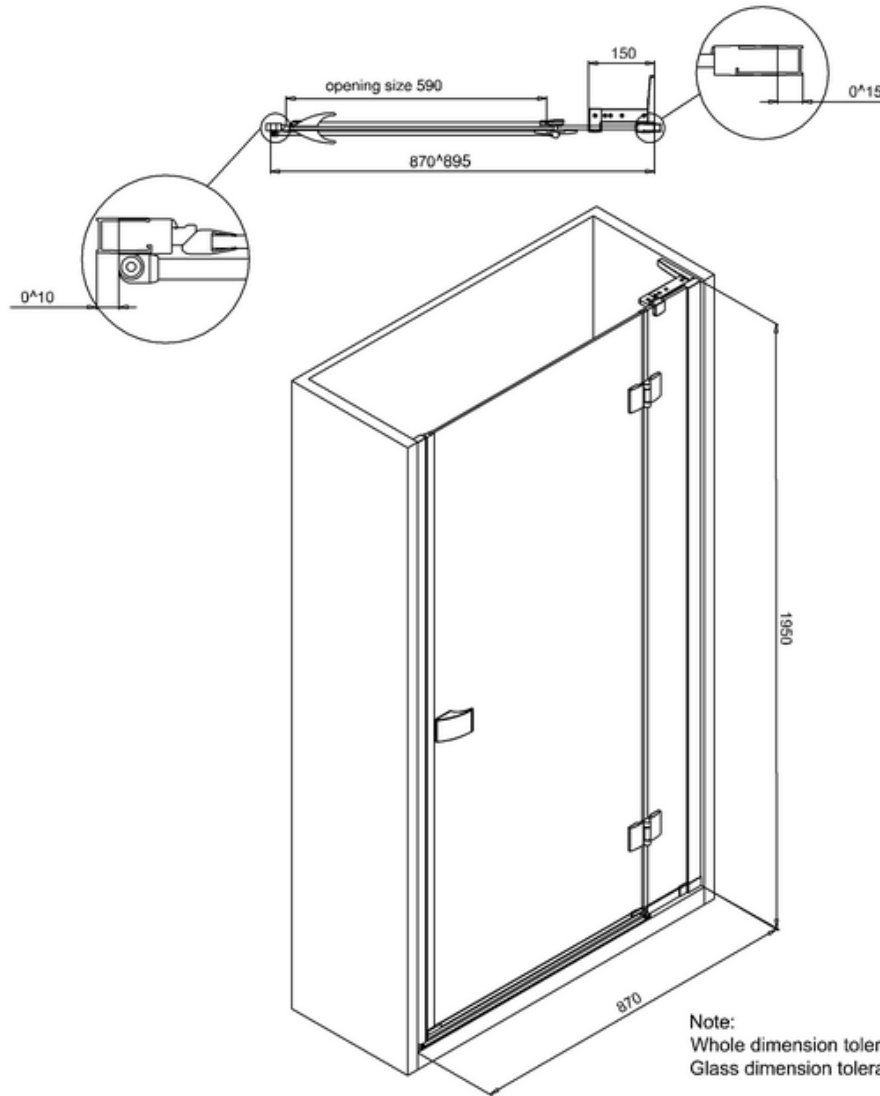


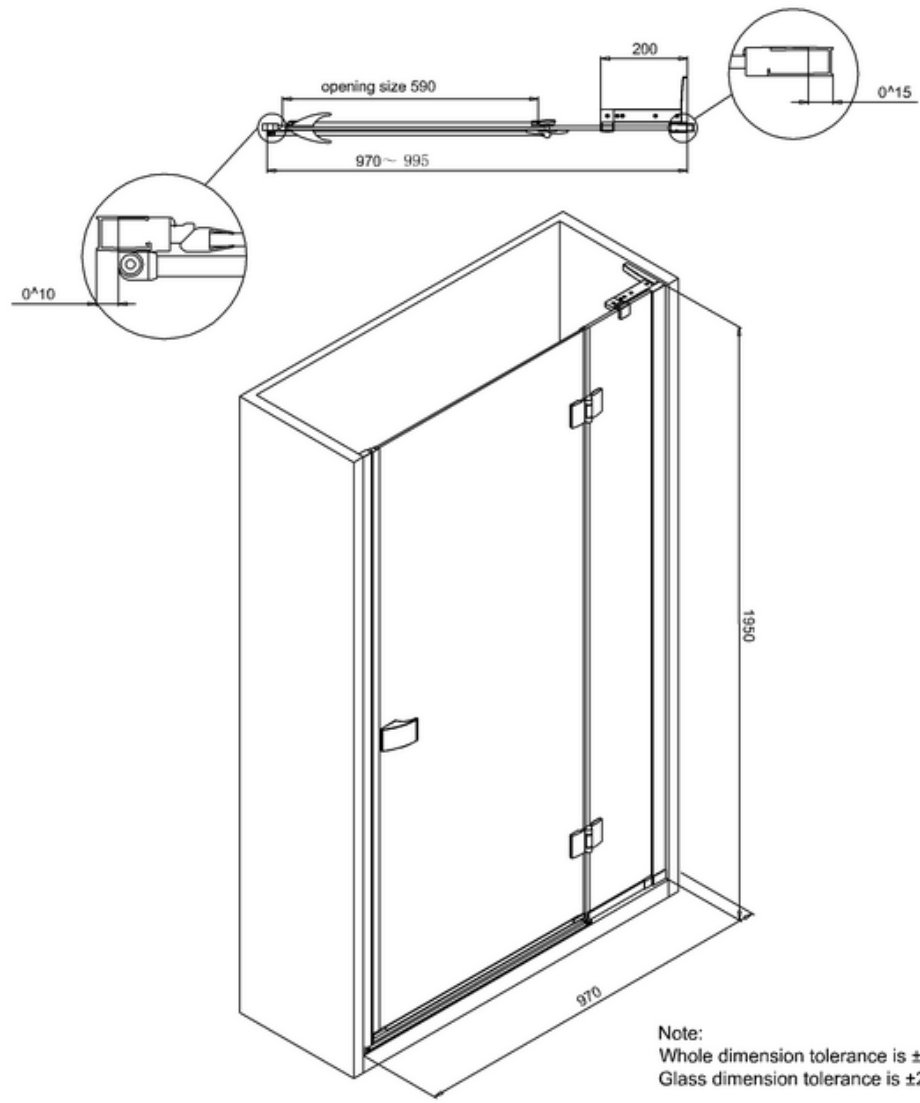
DHDSC0800+ - Design Hinge Door 800



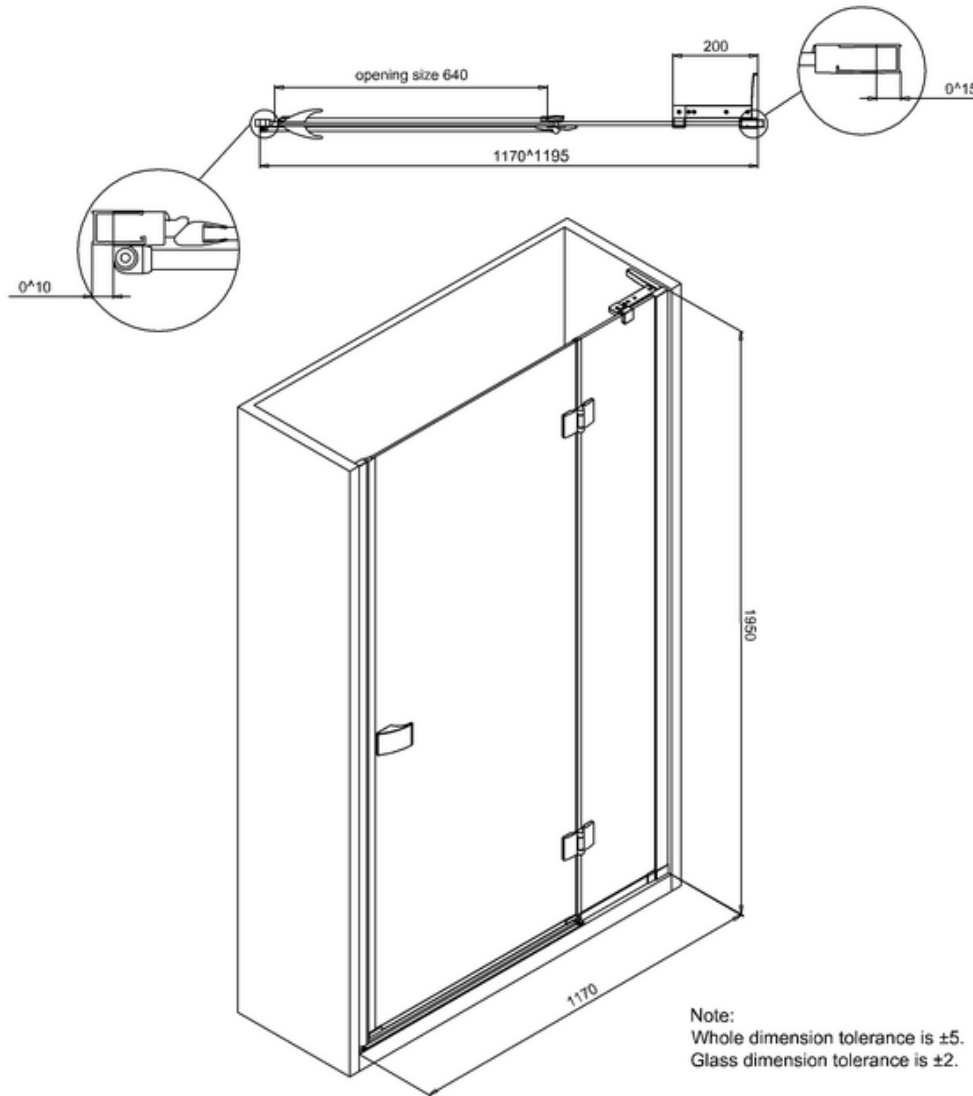
DHDSC0900+ - Design Hinge Door 900



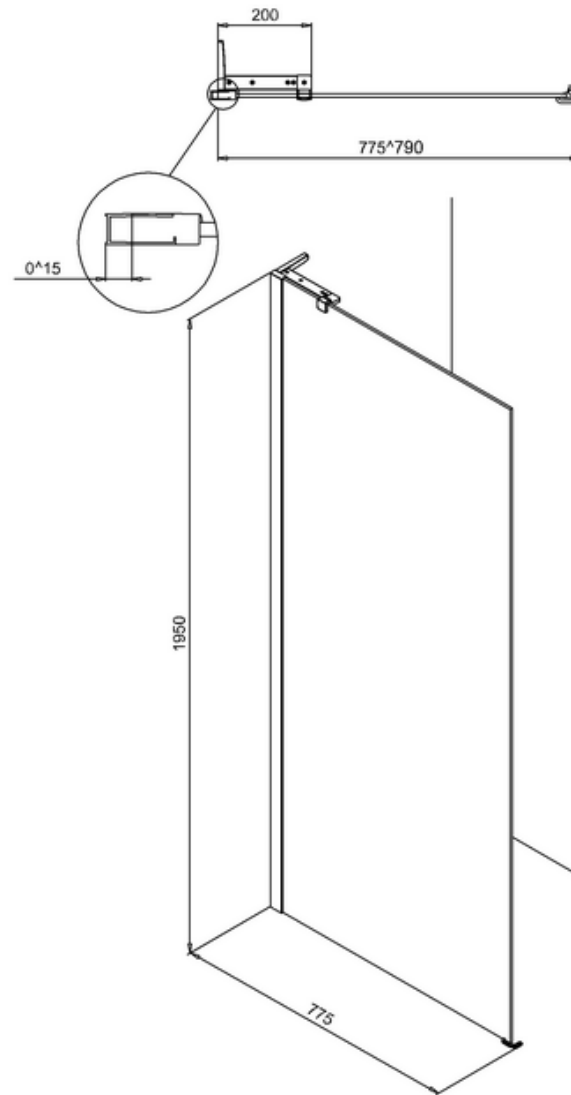
DHDSC1000+ - Design Hinge Door 1000



DHDSC1200+ - Design Hinge Door 1200

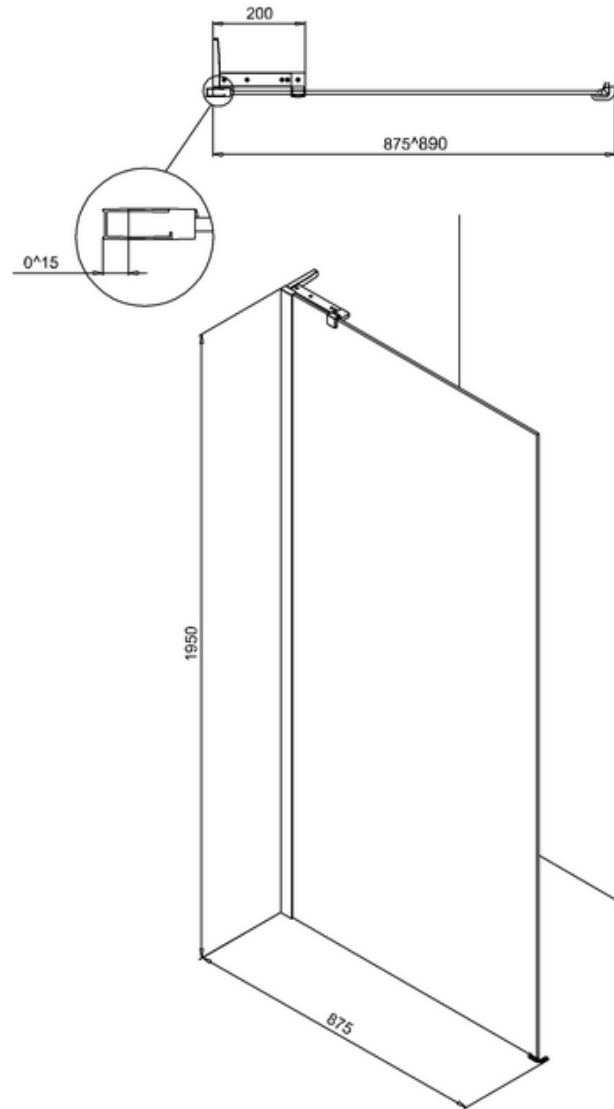


DSPSC0800+ - Side panel 800mm



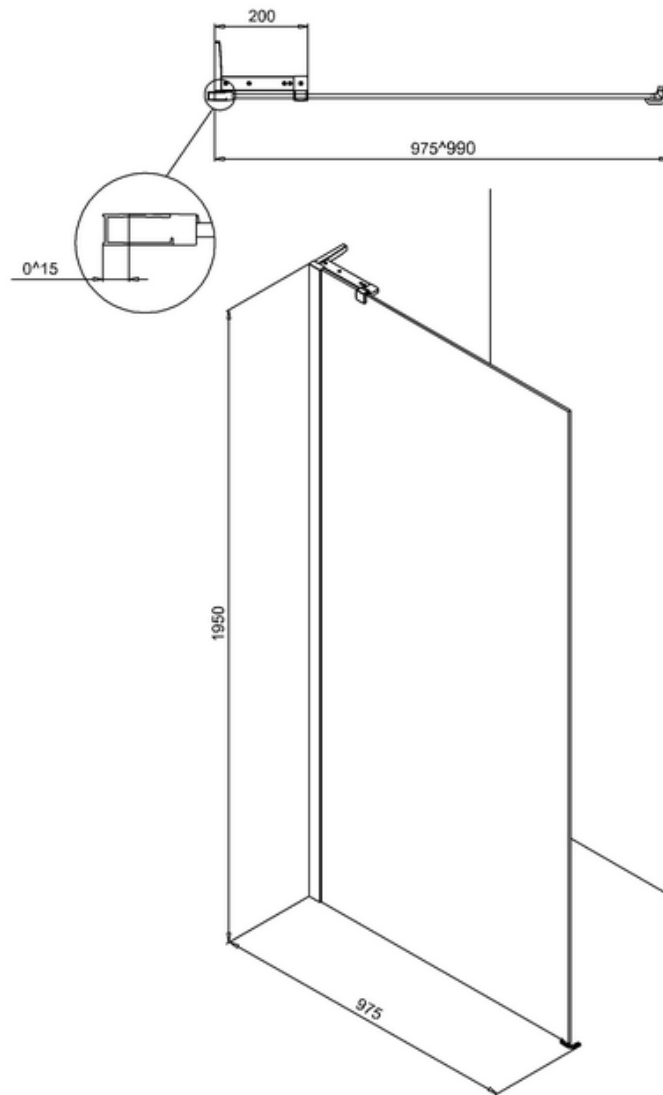
Note:
Whole dimension tolerance is ± 5 .
Glass dimension tolerance is ± 2 .

DSPSC0900+ - Side panel 900mm



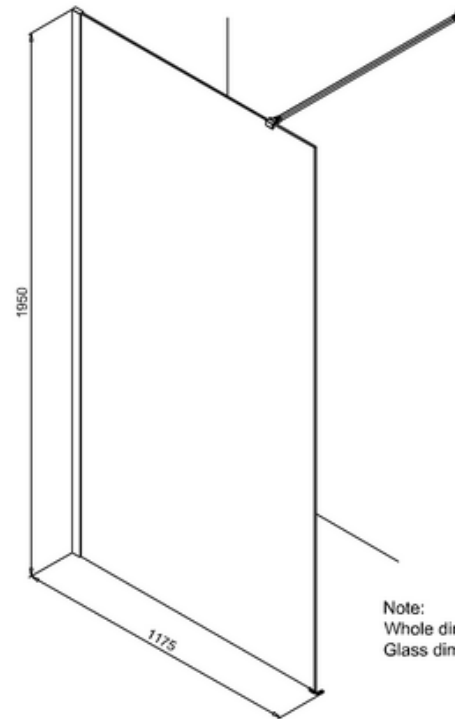
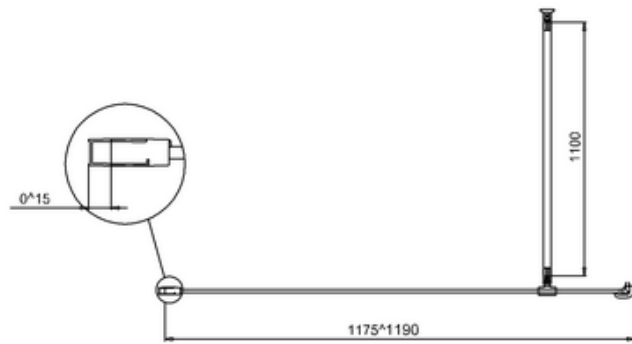
Note:
Whole dimension tolerance is ± 5 .
Glass dimension tolerance is ± 2 .

DSPSC1000+ - Side panel 1000mm



Note:
Whole dimension tolerance is ± 5 .
Glass dimension tolerance is ± 2 .

DSPSC1200+ - Side panel 1200mm



Note:
Whole dimension tolerance is ± 5 .
Glass dimension tolerance is ± 2 .