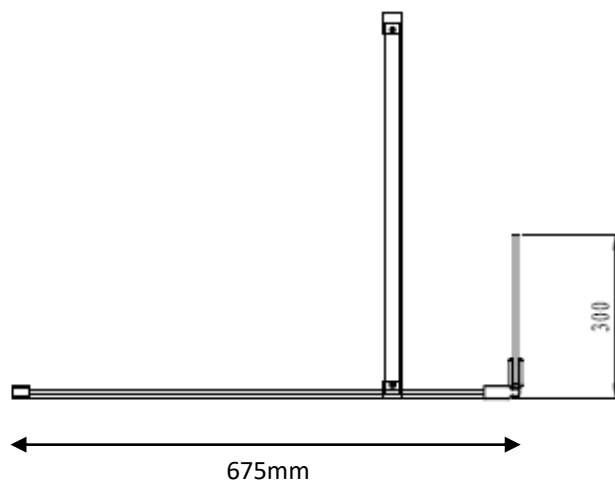
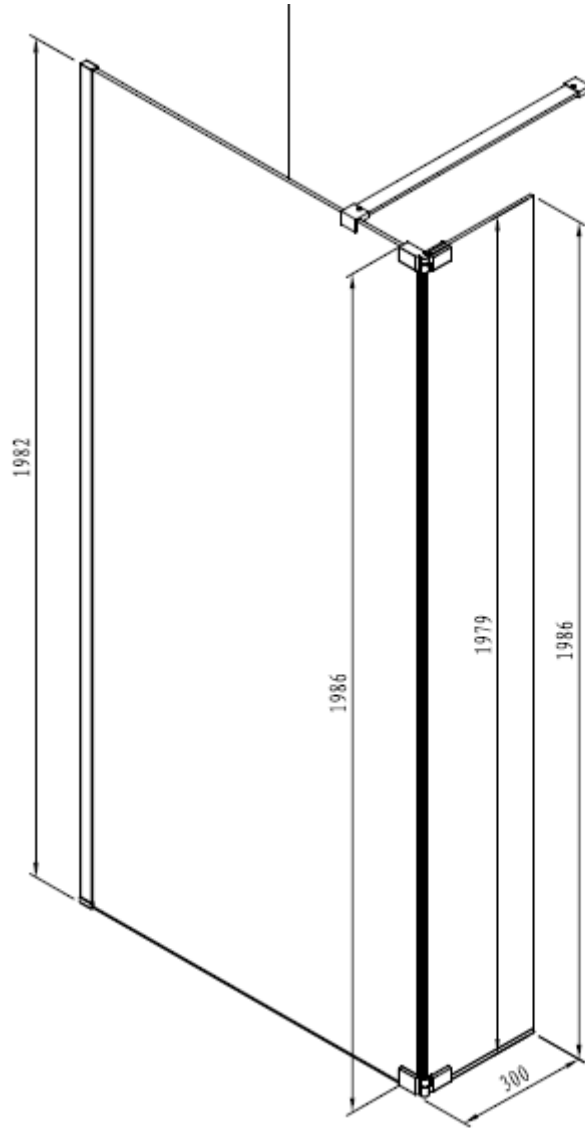
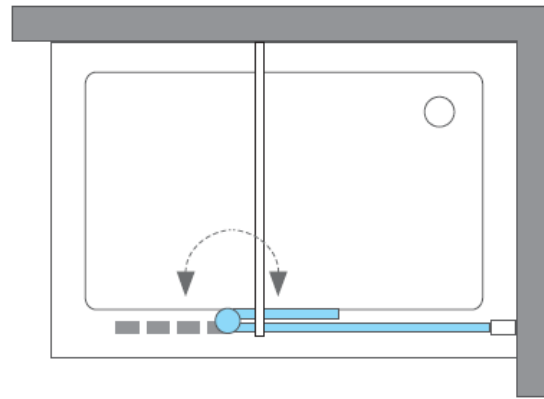
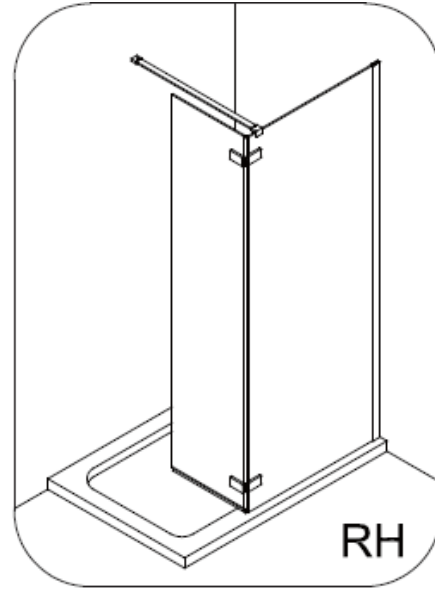
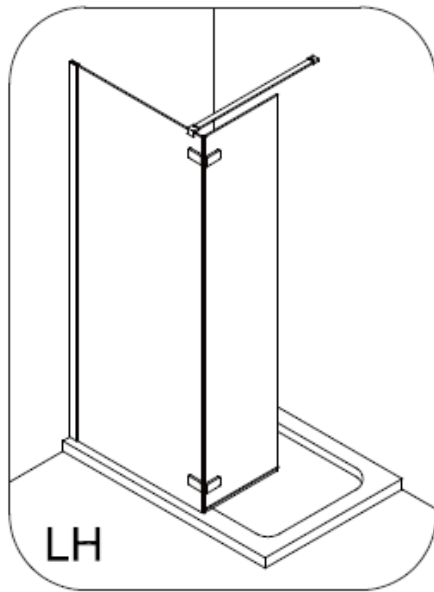




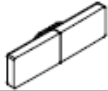


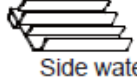


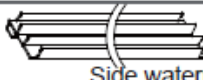


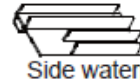


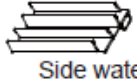

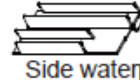


INFINITY 8 WALK IN DOOR WITH DEFLECTOR PANEL

IWESC1050+





<p>A</p>  <p>Wall plug x 4</p>	<p>H</p>  <p>Cover for taper sleeve x 4</p>	<p>O</p>  <p>Waterproof Strip x 1</p>
<p>B</p>  <p>ST4 * 40mm Screw x 3</p>	<p>I</p>  <p>Hinge x 2</p>	<p>P</p>  <p>2.5mm Allen Key x 1</p>
<p>C</p>  <p>Wall frame sealing strip I x 1</p>	<p>J</p>  <p>Side waterproof strip I (RH) x 1</p>	<p>Q</p>  <p>4mm Allen Key x 1</p>
<p>D</p>  <p>Wall frame sealing strip II x 1</p>	<p>K</p>  <p>Side waterproof strip II x 1</p>	<p>R</p>  <p>5mm Allen Key x 1</p>
<p>E</p>  <p>Cover x 2</p>	<p>L</p>  <p>Side waterproof strip III (RH) x 1</p>	<p>S</p>  <p>Block x 1</p>
<p>F</p>  <p>Support Bar x 1</p>	<p>M</p>  <p>Side waterproof strip I (LH) x 1</p>	
<p>G</p>  <p>ST4 * 40mm Screw x 1</p>	<p>N</p>  <p>Side waterproof strip III (LH) x 1</p>	

INFINITY 8 WALK IN DOOR WITH DEFLECTOR PANEL

IWESC1250+

