

Measurements in millimetres mm

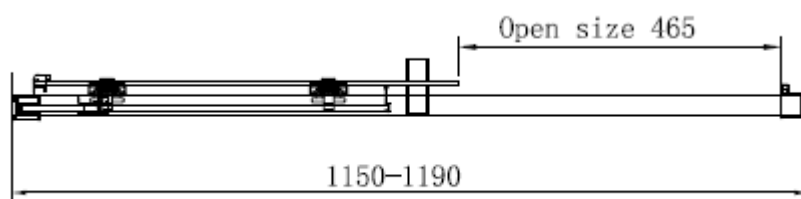
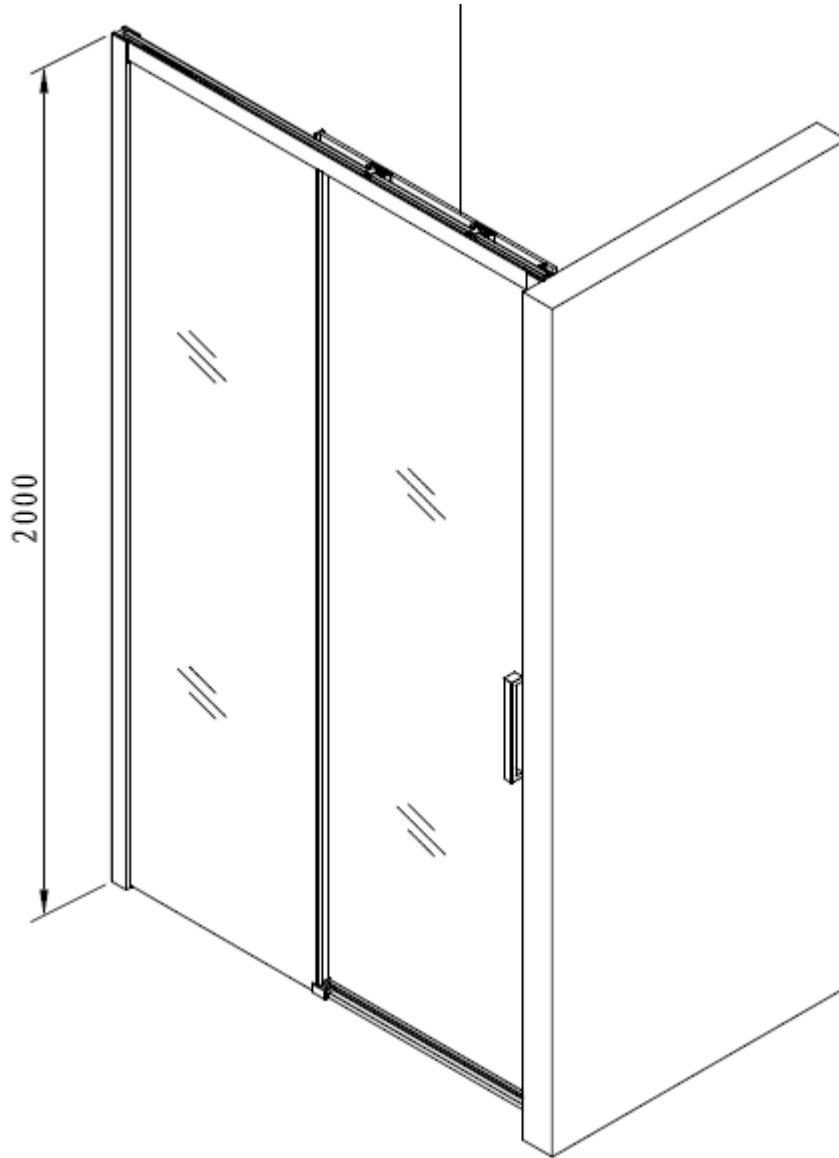
Information updated April 2020

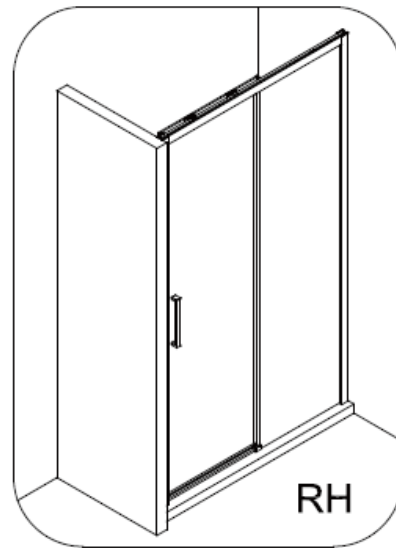
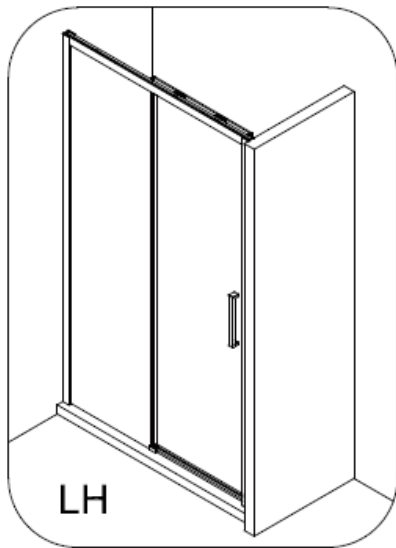
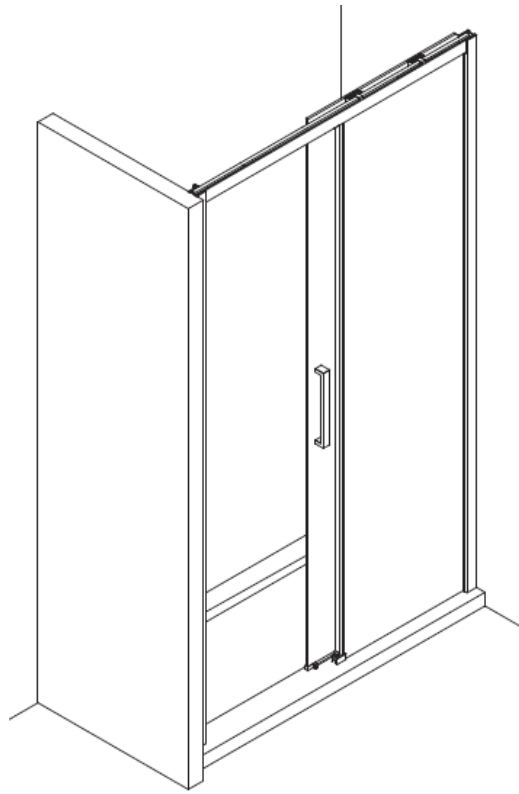
Tel 0345 873 8840

crosswater<sup>™</sup>

INFINITY 8 SLIDING DOOR

ISLSC1200+



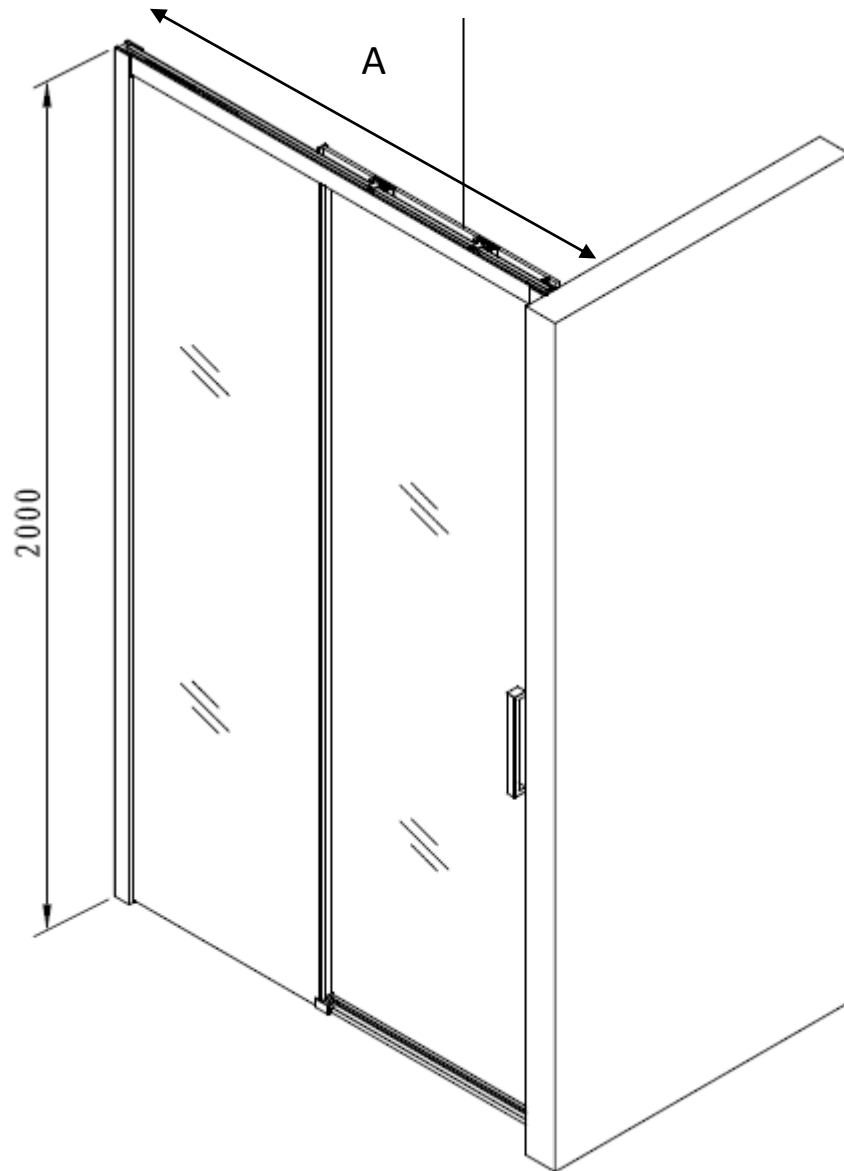


A		Wall plug x 6
B		ST4 *40mm screw x 3
C		M4 *30mm screw x 4
D		Cover I x 3
E		Decoration cover I x 2
F		Decoration cover II x 1
G		Wall frame sealing strip I x 1
H		Cover for taper sleeve x 2
I		Roller x 2

J		M4 *5mm screw x 4
K		Roller clip x 2
L		Cover II x 1
M		ST4 *12mm screw x 1
N		End socket of track (RH) x 1
O		Side waterproof strip I x 1
P		Side waterproof strip II x 1
Q		Anti-jump rubber strip x 1
R		Decoration cover III (RH) x 1

S		Wall frame sealing strip I x 1
T		Wall frame sealing strip II x 1
U		ST4 *40mm screw x 3
V		End socket I (RH) x 1
W		Waterproof part (RH) x 1
X		Waterproof barrier bar x 1
Y		End socket II (RH) x 1
Z		Waterproof cap x 1
AA		Handle x 1

AB		End socket of track (LH) x 1
AC		Waterproof part (LH) x 1
AD		End socket II (LH) x 1
AE		End socket I (LH) x 1
AF		Decoration cover III (LH) x 1
AG		Sleeve x 1
AH		4mm Allen key x 1
AI		Cleaning Wipe x 1



Model	A (mm)
<b>ISLSC1200+</b>	1150~1190
<b>ISLSC1400+</b>	1350~1390
<b>ISLSC1500+</b>	1450~1490
<b>ISLSC1700+</b>	1650~1690

Measurements in millimetres mm

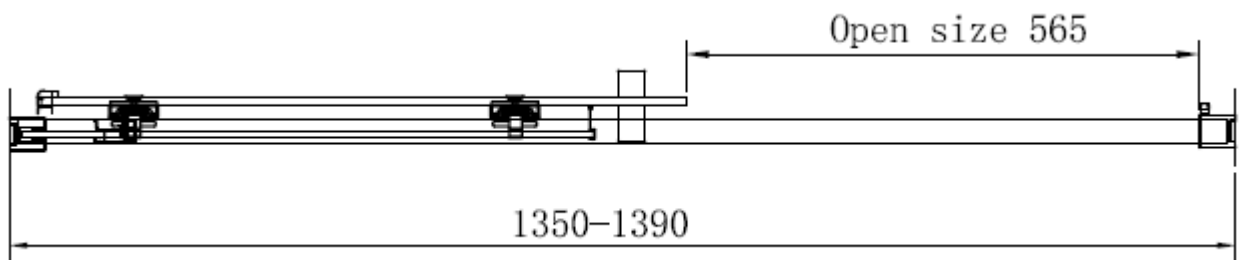
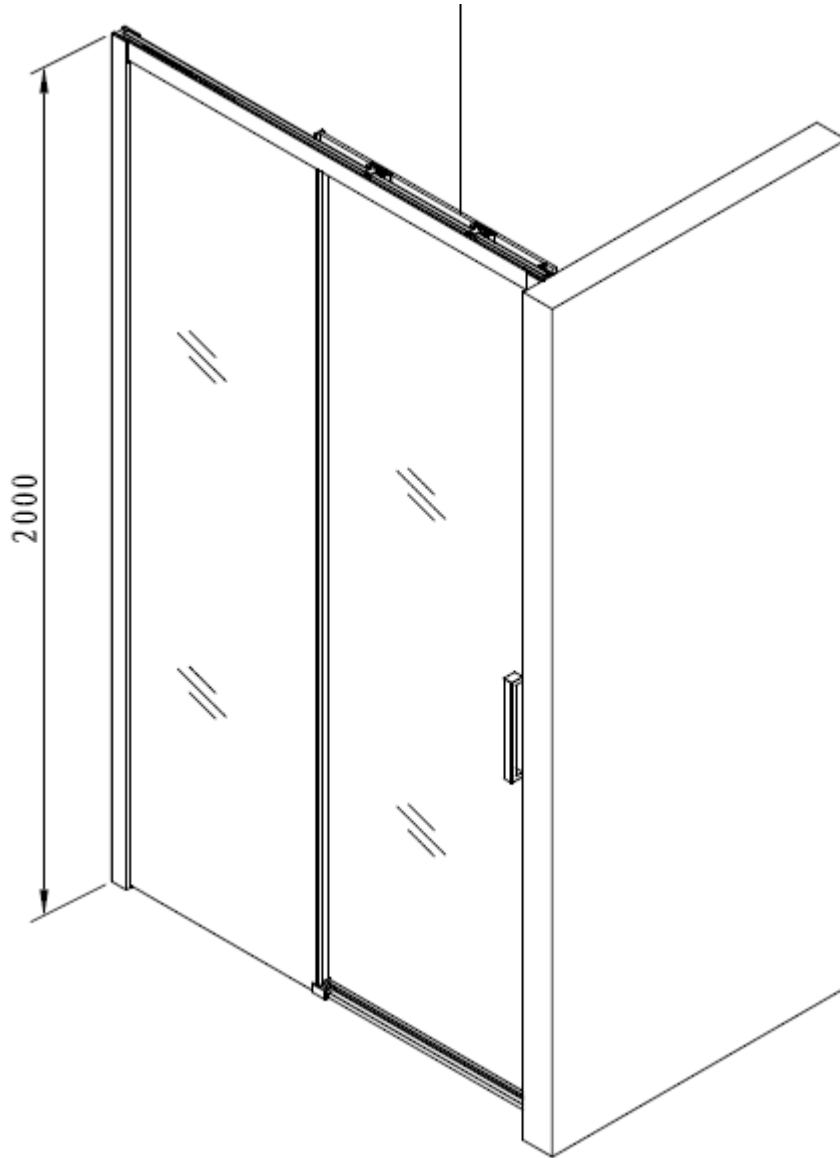
Information updated April 2020

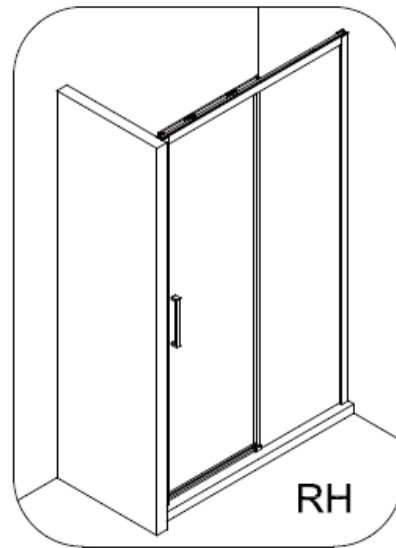
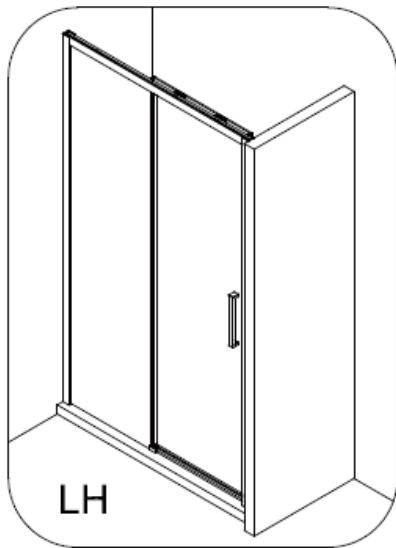
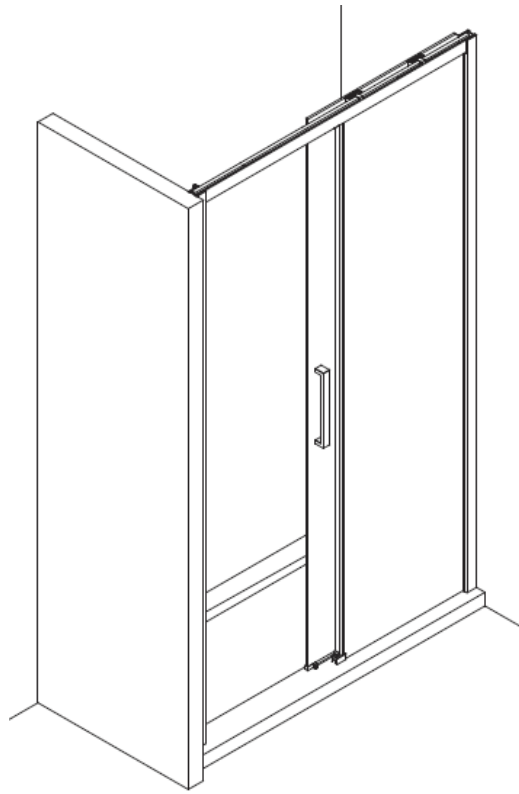
Tel 0345 873 8840

crosswater<sup>™</sup>

INFINITY 8 SLIDING DOOR

ISLSC1400+



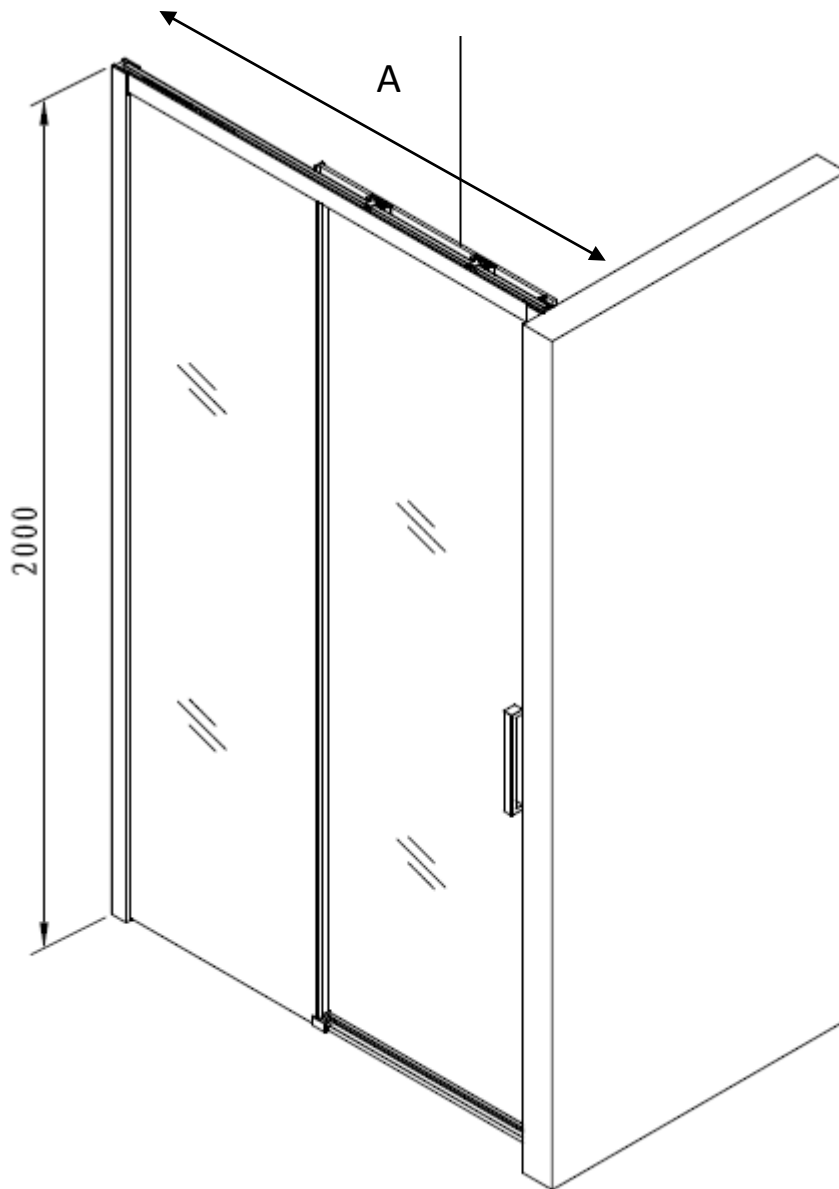


A		Wall plug x 6
B		ST4 *40mm screw x 3
C		M4 *30mm screw x 4
D		Cover I x 3
E		Decoration cover I x 2
F		Decoration cover II x 1
G		Wall frame sealing strip I x 1
H		Cover for taper sleeve x 2
I		Roller x 2

J		M4 *5mm screw x 4
K		Roller clip x 2
L		Cover II x 1
M		ST4 *12mm screw x 1
N		End socket of track (RH) x 1
O		Side waterproof strip I x 1
P		Side waterproof strip II x 1
Q		Anti-jump rubber strip x 1
R		Decoration cover III (RH) x 1

S		Wall frame sealing strip I x 1
T		Wall frame sealing strip II x 1
U		ST4 *40mm screw x 3
V		End socket I (RH) x 1
W		Waterproof part (RH) x 1
X		Waterproof barrier bar x 1
Y		End socket II (RH) x 1
Z		Waterproof cap x 1
AA		Handle x 1

AB		End socket of track (LH) x 1
AC		Waterproof part (LH) x 1
AD		End socket II (LH) x 1
AE		End socket I (LH) x 1
AF		Decoration cover III (LH) x 1
AG		Sleeve x 1
AH		4mm Allen key x 1
AI		Cleaning Wipe x 1



Model	A (mm)
<b>ISLSC1200+</b>	1150~1190
<b>ISLSC1400+</b>	1350~1390
<b>ISLSC1500+</b>	1450~1490
<b>ISLSC1700+</b>	1650~1690

Measurements in millimetres mm

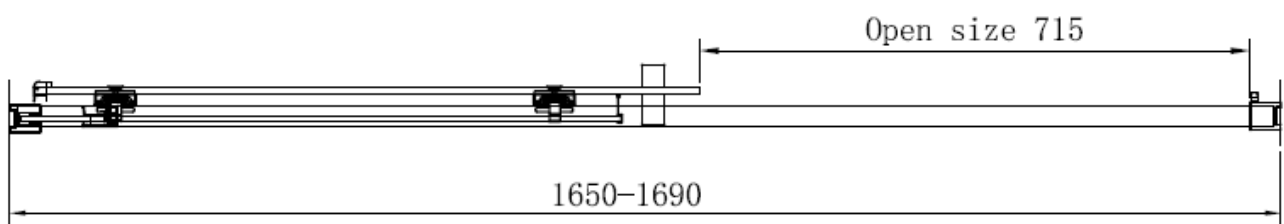
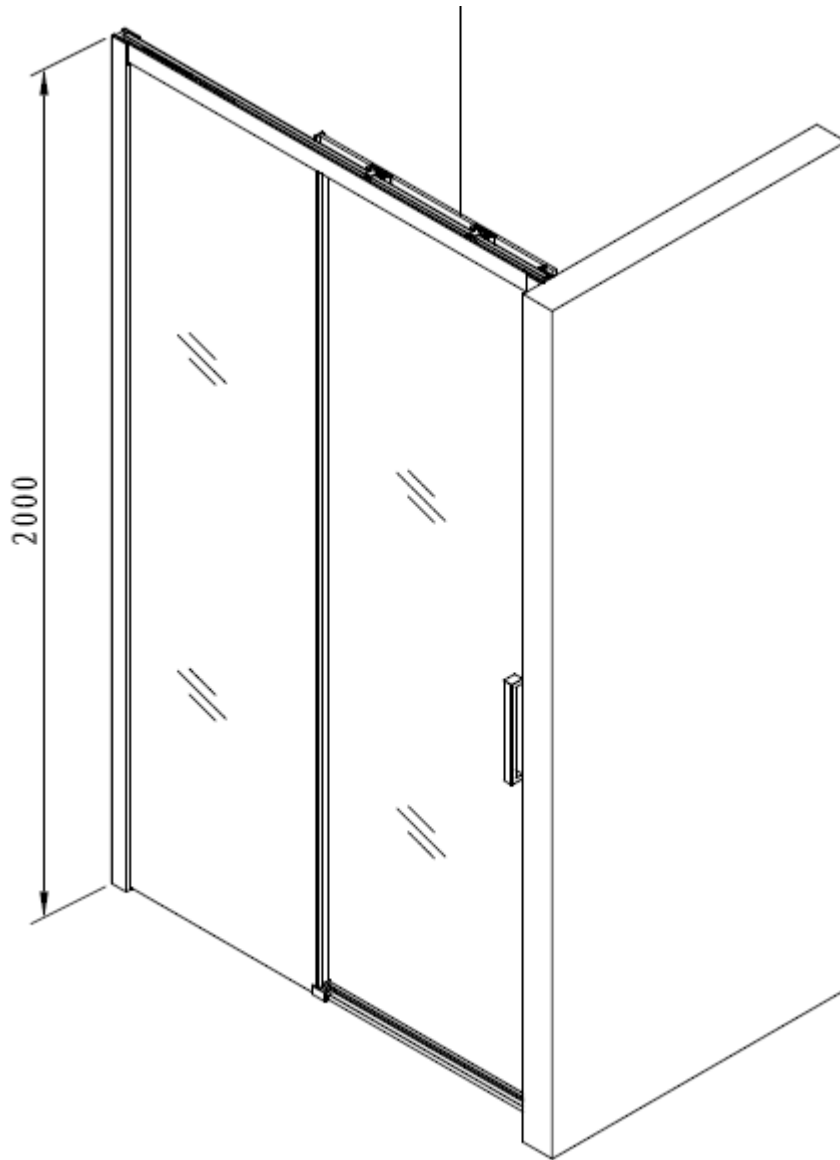
Information updated April 2020

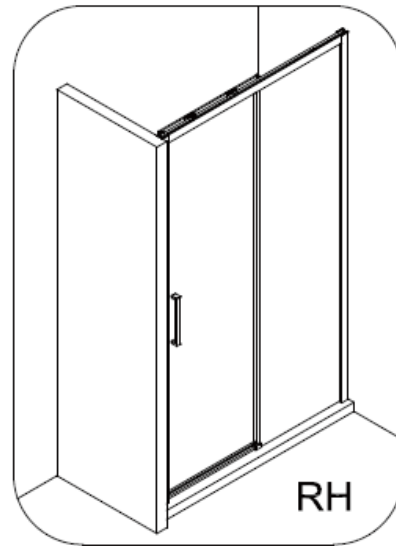
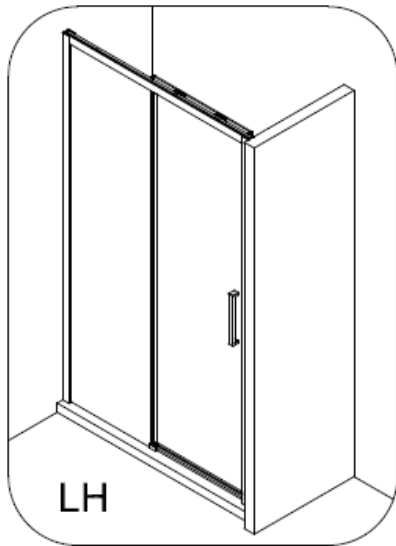
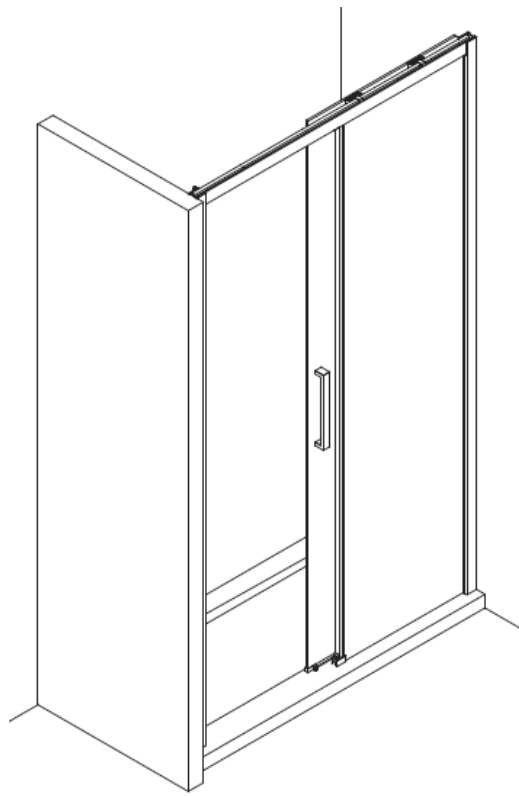
Tel 0345 873 8840

crosswater<sup>™</sup>

INFINITY 8 SLIDING DOOR

ISLSC1700+





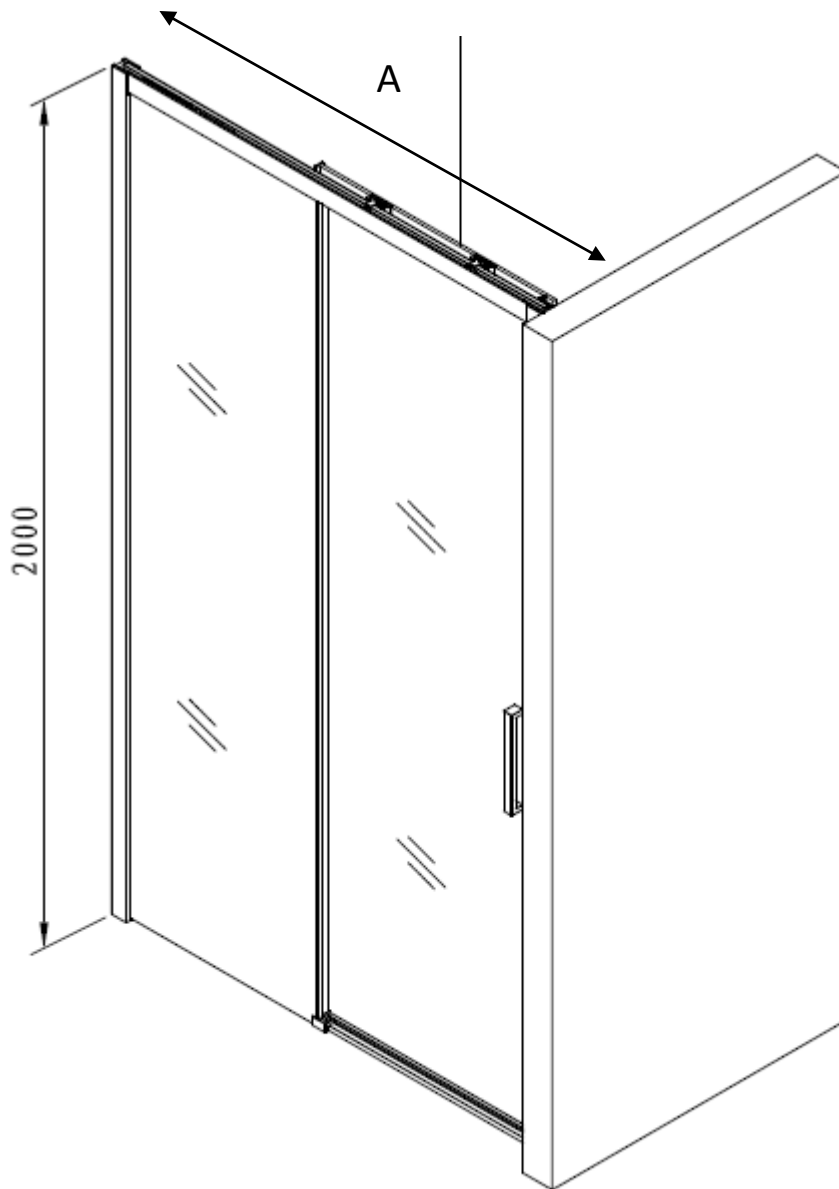
A		Wall plug x 6
B		ST4 *40mm screw x 3
C		M4 *30mm screw x 4
D		Cover I x 3
E		Decoration cover I x 2
F		Decoration cover II x 1
G		Wall frame sealing strip I x 1
H		Cover for taper sleeve x 2
I		Roller x 2

J		M4 *5mm screw x 4
K		Roller clip x 2
L		Cover II x 1
M		ST4 *12mm screw x 1
N		End socket of track (RH) x 1
O		Side waterproof strip I x 1
P		Side waterproof strip II x 1
Q		Anti-jump rubber strip x 1
R		Decoration cover III (RH) x 1

S		Wall frame sealing strip I x 1
T		Wall frame sealing strip II x 1
U		ST4 *40mm screw x 3
V		End socket I (RH) x 1
W		Waterproof part (RH) x 1
X		Waterproof barrier bar x 1
Y		End socket II (RH) x 1
Z		Waterproof cap x 1
AA		Handle x 1

AB		End socket of track (LH) x 1
AC		Waterproof part (LH) x 1
AD		End socket II (LH) x 1
AE		End socket I (LH) x 1
AF		Decoration cover III (LH) x 1
AG		Sleeve x 1
AH		4mm Allen key x 1
AI		Cleaning Wipe x 1





Model	A (mm)
<b>ISLSC1200+</b>	1150~1190
<b>ISLSC1400+</b>	1350~1390
<b>ISLSC1500+</b>	1450~1490
<b>ISLSC1700+</b>	1650~1690

Measurements in millimetres mm

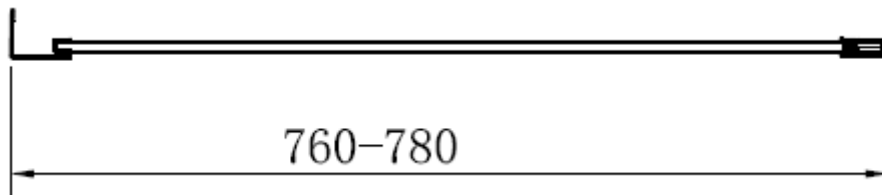
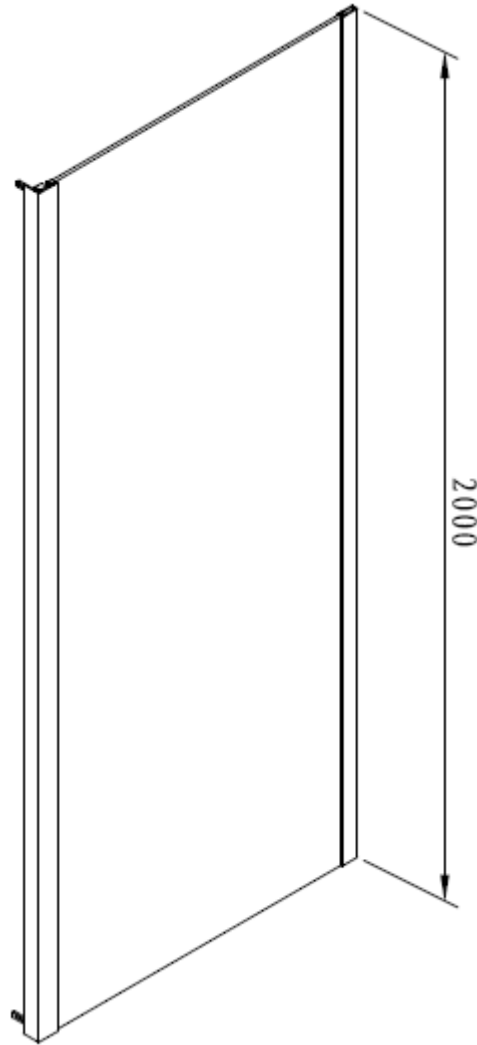
Information updated April 2020

Tel 0345 873 8840

crosswater<sup>™</sup>

INFINITY 8 SIDE PANEL

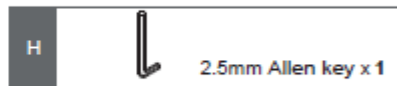
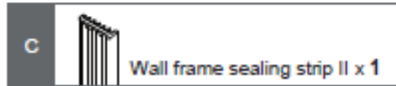
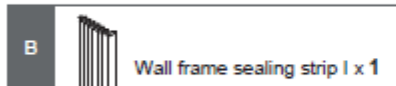
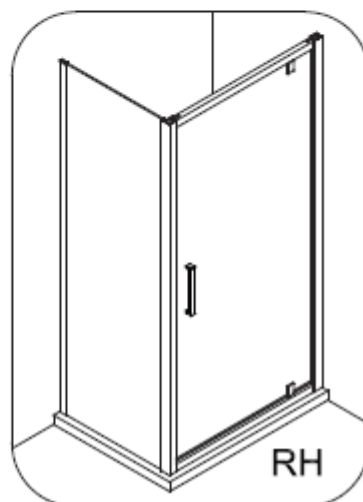
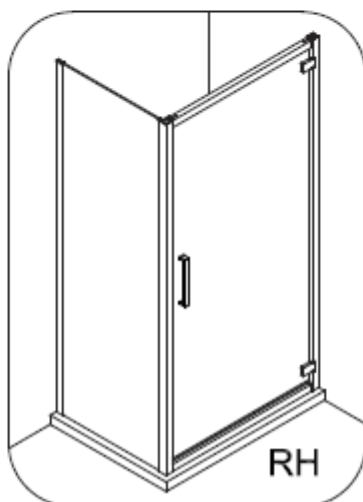
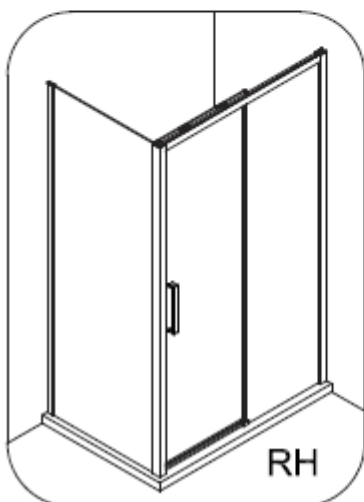
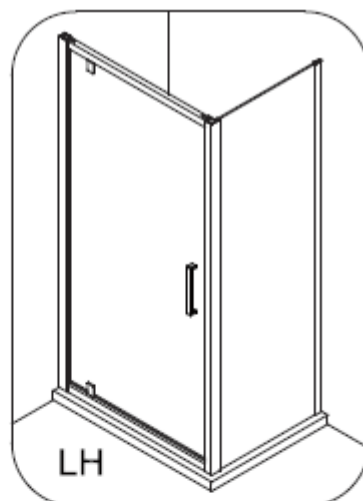
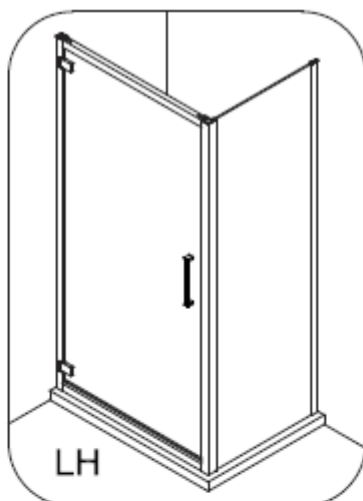
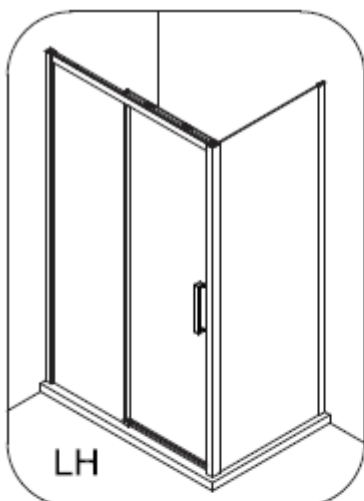
ISPSC0800+



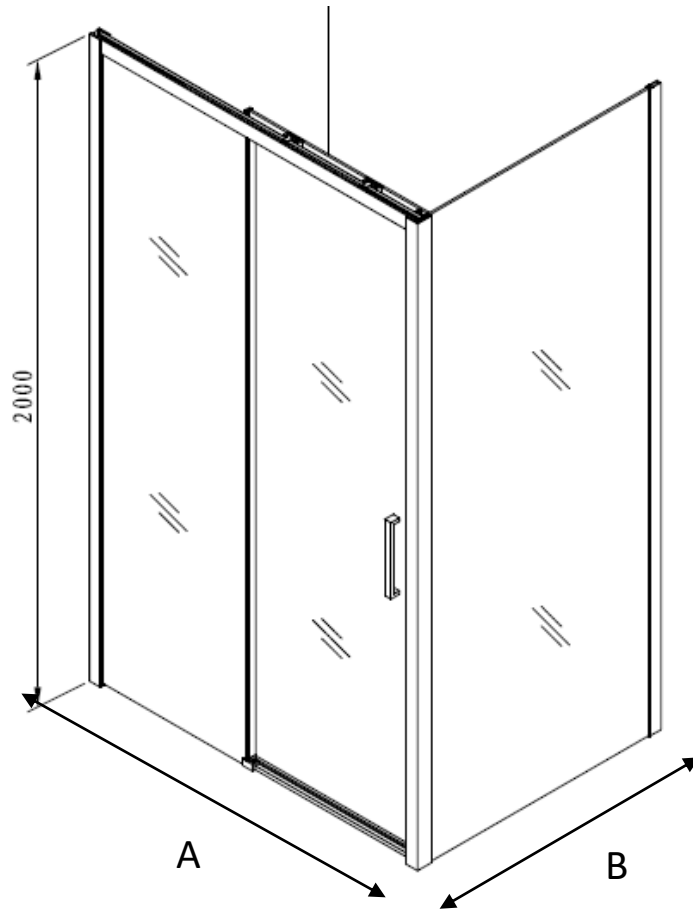
SLIDING DOOR

HINGED DOOR

PIVOT DOOR



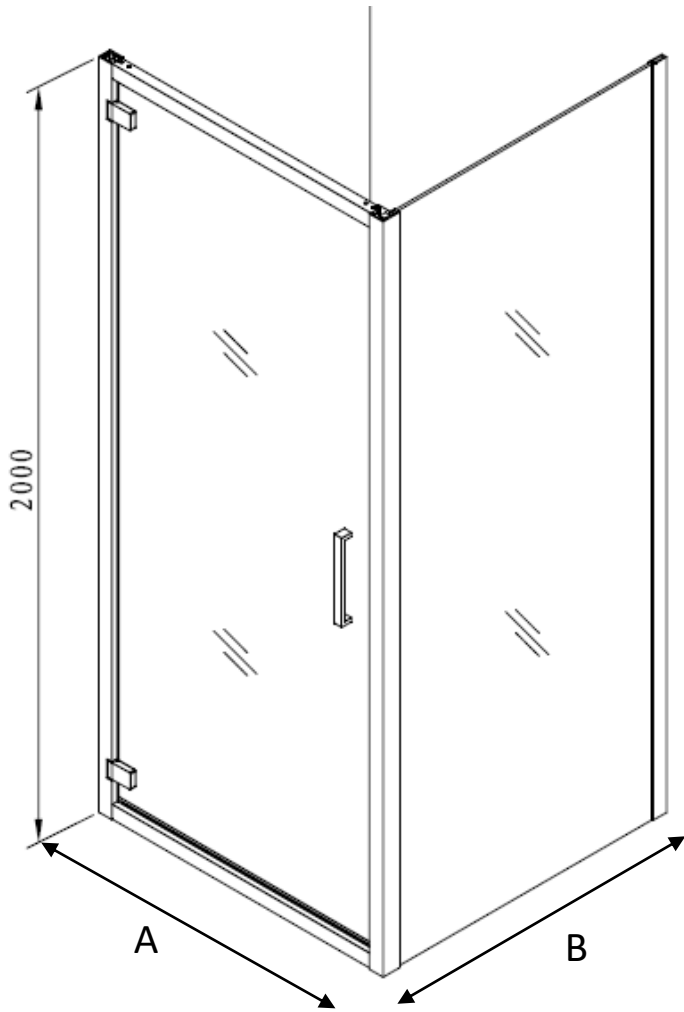
SLIDING DOOR



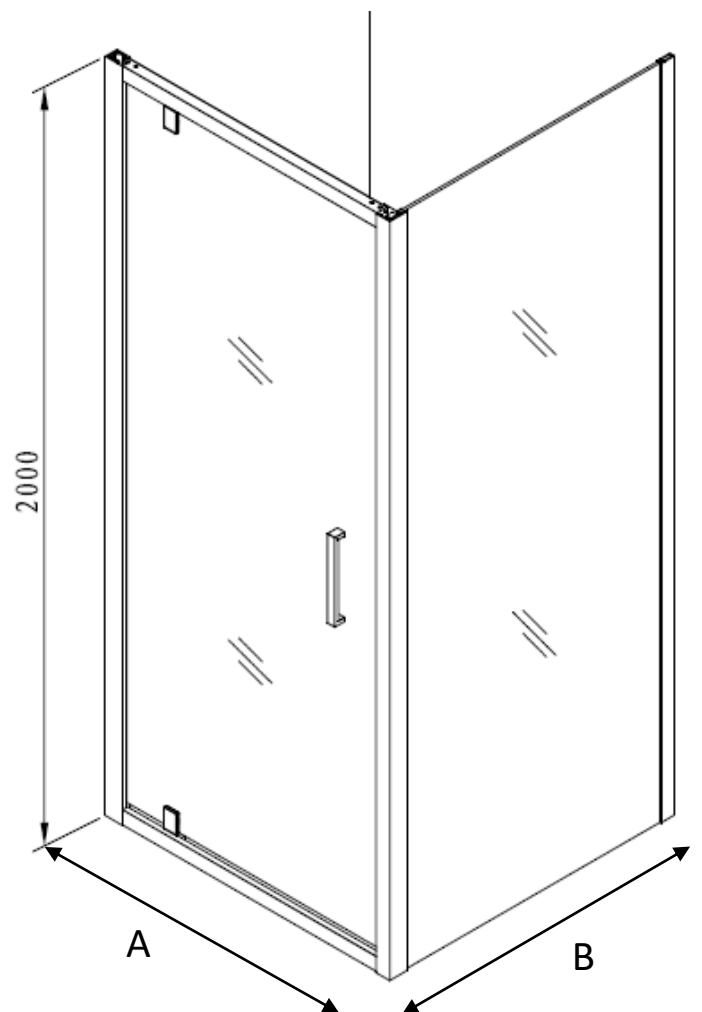
Model	A (mm)
<b>ISLSC1200+</b>	1150~1170
<b>ISLSC1400+</b>	1350~1370
<b>ISLSC1500+</b>	1450~1470
<b>ISLSC1700+</b>	1650~1670

Model	B (mm)
<b>ISPSC0800+</b>	760~780
<b>ISPSC0900+</b>	860~880

HINGED DOOR



PIVOT DOOR



Model	A (mm)
<b>IHDSC0800+</b>	750~770
<b>IHDSC0900+</b>	850~870
<b>IPDSC0900+</b>	850~870

Model	B (mm)
<b>ISPSC0800+</b>	760~780
<b>ISPSC0900+</b>	860~880

