

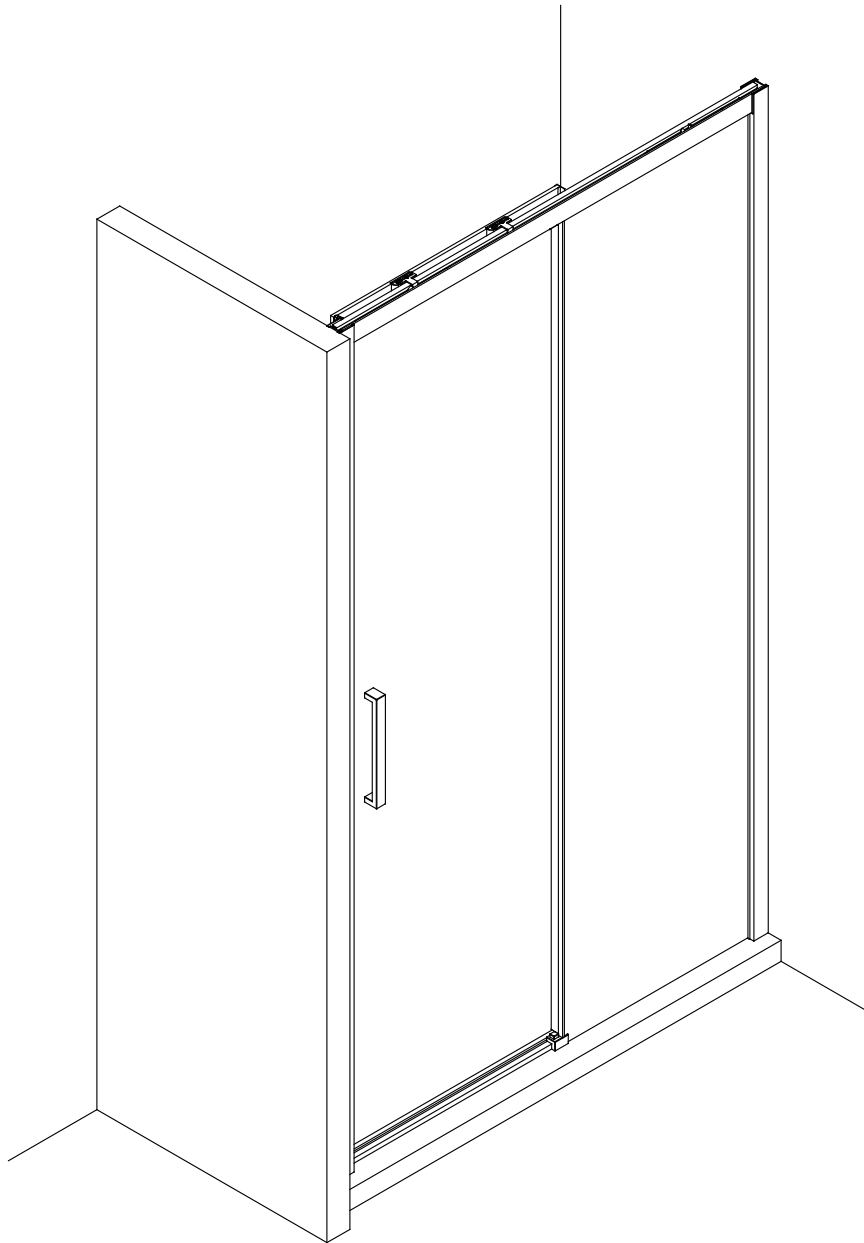
INFINITY SLIDER SINGLE DOOR

ISLSC1200+
ISLSC1400+
ISLSC1500+
ISLSC1700+


IMPORTANT

BEFORE STARTING THE INSTALLATION ENSURE ALL THE DOOR SIZE MEASUREMENTS CORRESPOND WITH THE INSTALLATION AREA INCLUDING THE FINISHED TILED/PANELLED WALLS.

RETURNS DUE TO INCORRECT SIZING WILL NOT BE ACCEPTED.



INSTALLATION INSTRUCTIONS

crosswater [®]
SHOWERING

IMPORTANT - Please read before installation

Please read these instructions carefully before starting installation and keep in a safe place for future reference.

Check the contents of the pack carefully before installation. Crosswater will not be held responsible for any de-fit / re-fit costs where faulty product has been fitted.

If any fault is found with materials or workmanship, it must be reported immediately to the manufacturer. Remedial action will be taken, based on information received, on condition that:

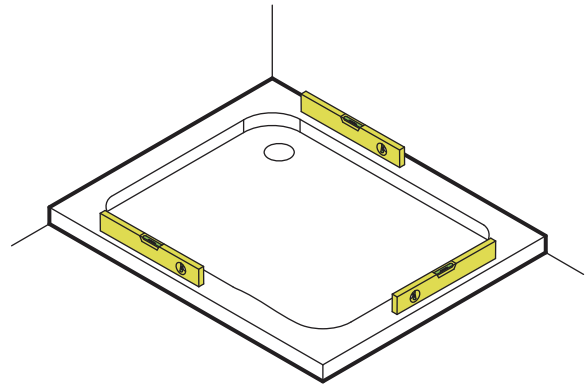
1. Full details are supplied to the manufacturer;
2. The enclosure has not been modified or tampered with;
3. The manufacturer is informed of any damage/shortages prior to installation.

We do not accept responsibility for any problems that may occur through incorrect installation.

The success of the installation and operation of any shower enclosure is, of course, dependant on the squareness, alignment and construction of the walls to which fixing is to be carried out.

VERY IMPORTANT

You must complete all tiling and grouting, and the shower tray **MUST** be level and fully sealed to the tiles before installation. If you do not fit the enclosure onto a tiled surface, or seal the tiles to the tray before installation, water may soak into the wall behind the wall profiles.



INSTALLATION - Advice and safety

The installation instructions are based on typical use and conditions.

These products come with the two wall channels pushed onto each side of the glass panel frame.

These hints have been prepared for your guidance, you must exercise due care at all times.

For Health and Safety 2 people must carry out the installation of this enclosure.

Handle glass with care. Although the glass supplied is toughened safety glass (EN12150), impacts can damage both the glass and the frame.

Warning!

Please check for any hidden pipes or cables before drilling holes in the wall.

To stop the drill bit slipping, masking tape can be applied to the tiles when preparing the holes.

When using power tools always follow the manufacturers user instructions.

Do not sit the enclosure on a bed of silicone, as this will also stop any water from draining back into the tray.

If the enclosure is sealed to the tray on the inside, any water that may get into the framework will not be able to drain back into the tray, this may cause the enclosure to leak.

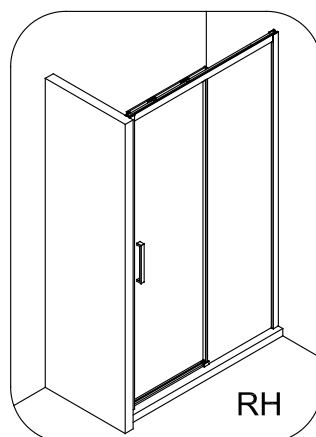
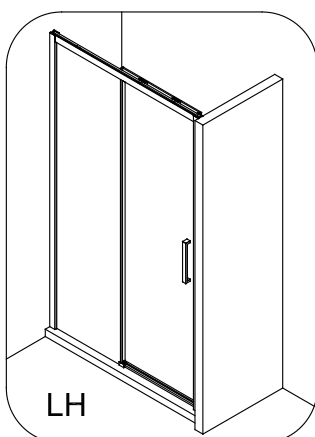
Leave the silicone sealant to dry for 24 hours before using the enclosure.

CARE AND CLEANING

Do not use solvents or abrasive material or chemicals to clean the enclosure.

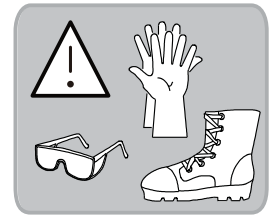
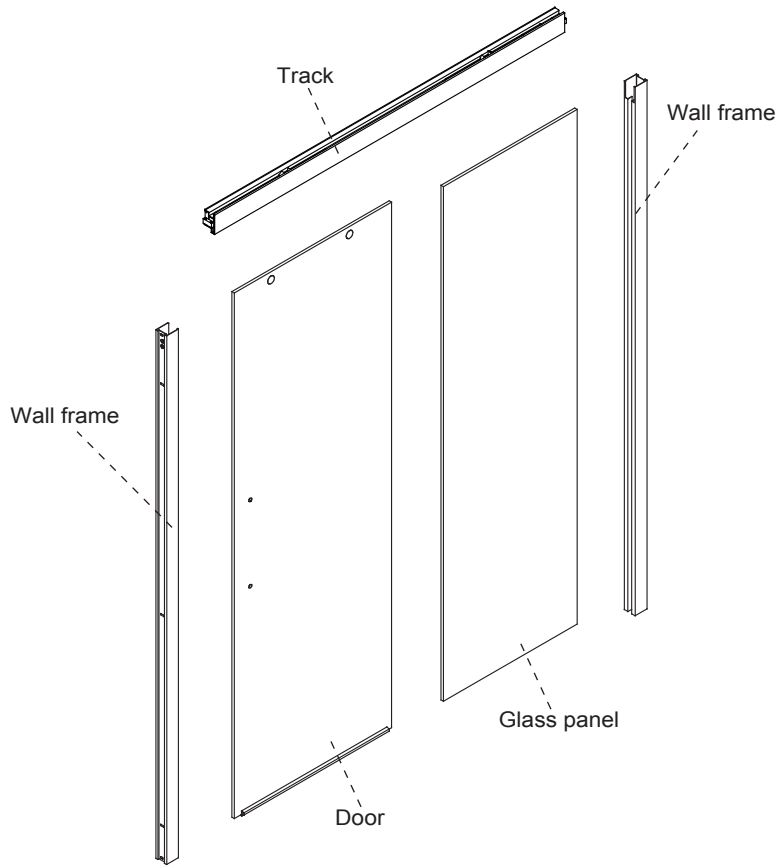
Only clean using soapy water and a soft cloth, rinse thoroughly afterwards.

INSTALLATION



CONTENTS

INFINITY SLIDER SINGLE DOOR

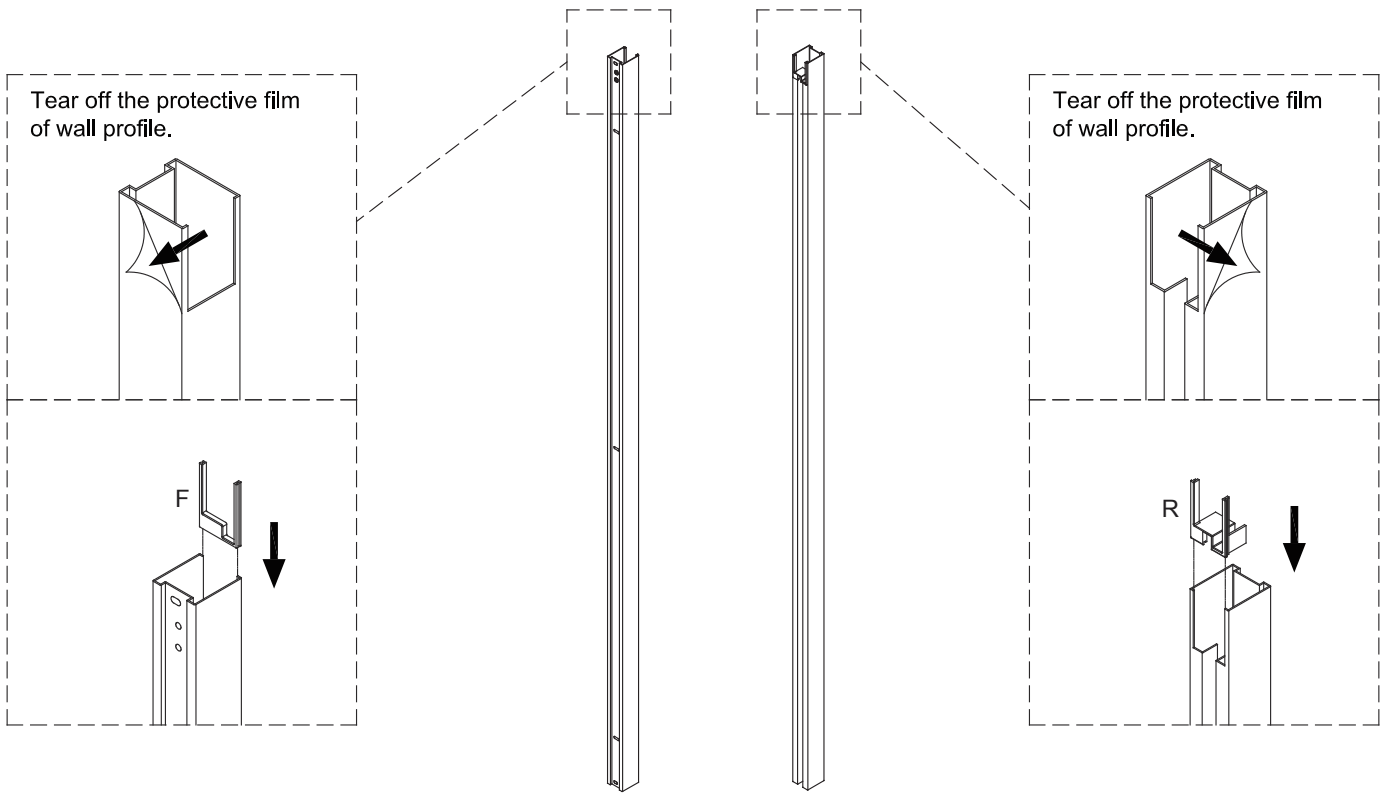


A	Wall plug x 6	J	M4 *5mm screw x 4	S	Wall frame sealing strip I x 1	AB	End socket of track (LH) x 1
B	ST4 *40mm screw x 3	K	Roller clip x 2	T	Wall frame sealing strip II x 1	AC	Waterproof part (LH) x 1
C	M4 *30mm screw x 4	L	Cover II x 1	U	ST4 *40mm screw x 3	AD	End socket II (LH) x 1
D	Cover I x 3	M	ST4 *12mm screw x 1	V	End socket I (RH) x 1	AE	End socket I (LH) x 1
E	Decoration cover I x 2	N	End socket of track (RH) x 1	W	Waterproof part (RH) x 1	AF	Decoration cover III (LH) x 1
F	Decoration cover II x 1	O	Side waterproof strip I x 1	X	Waterproof barrier bar x 1	AG	Sleeve x 1
G	Wall frame sealing strip I x 1	P	Side waterproof strip II x 1	Y	End socket II (RH) x 1	AH	4mm Allen key x 1
H	Cover for taper sleeve x 2	Q	Anti-jump rubber strip x 1	Z	Waterproof cap x 1	AI	Cleaning Wipe x 1
I	Roller x 2	R	Decoration cover III (RH) x 1	AA	Handle x 1		

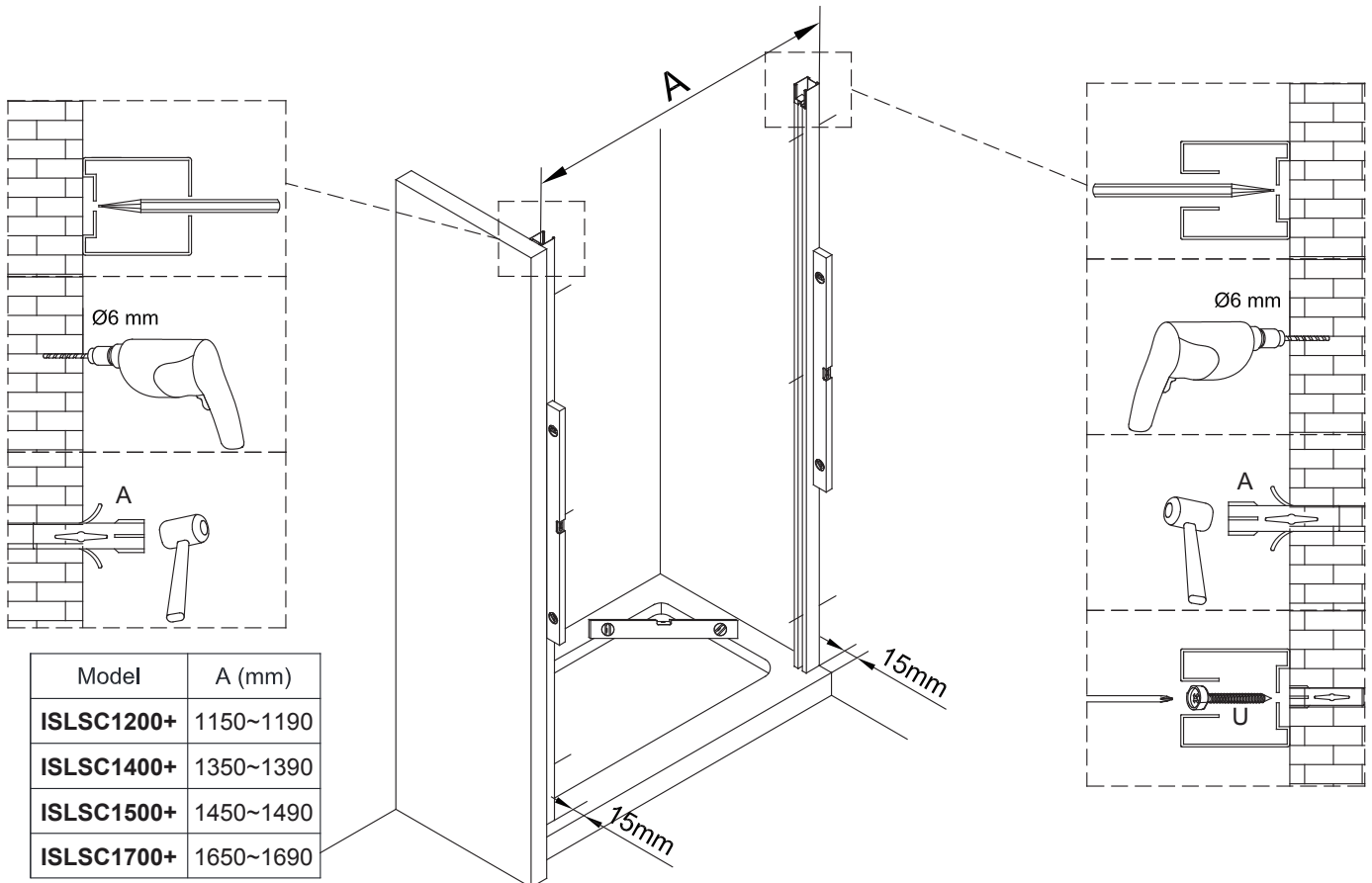
Tools and equipment needed

Drill, 6mm Masonry drill bit, 3.2mm General drill bit, Philips screwdriver, Spirit level, Pencil, Scissors, Knife, Silicone sealant.

Step 1

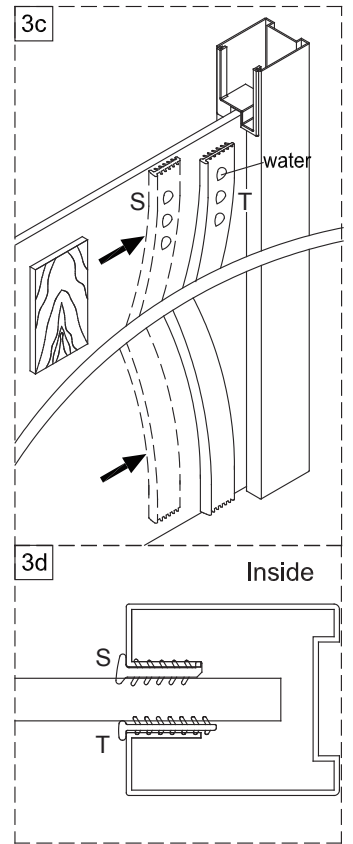
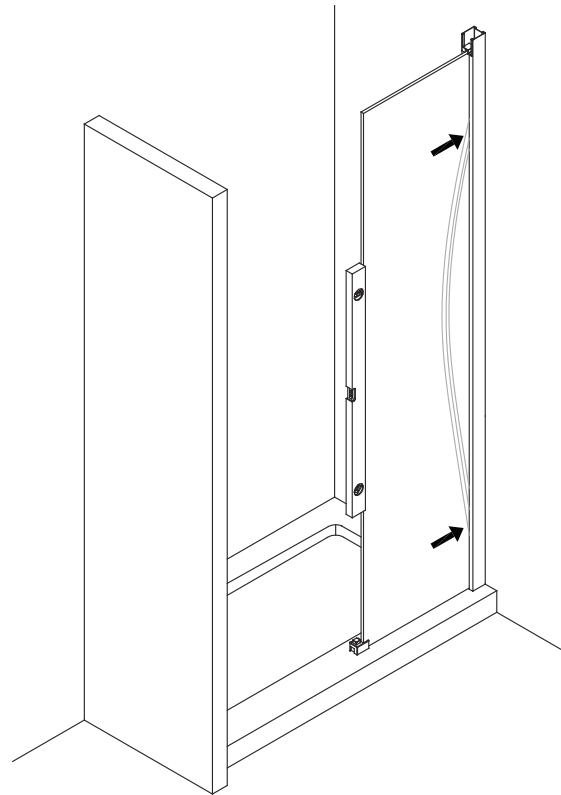
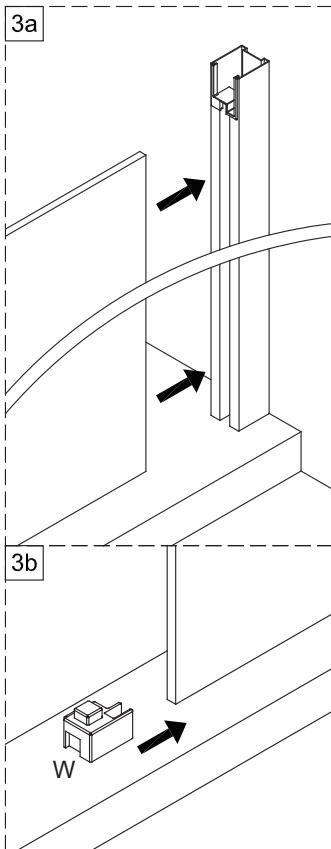


Step 2

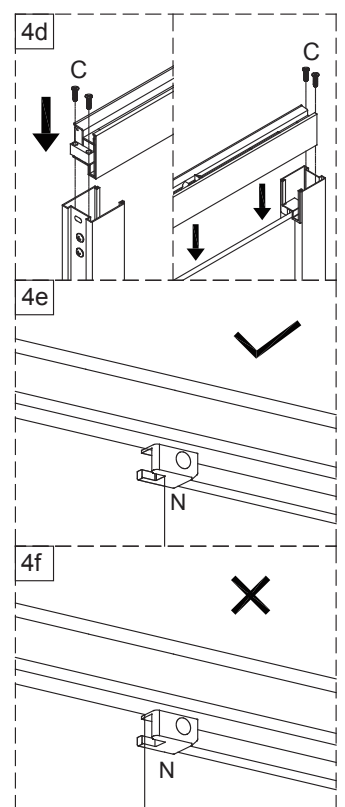
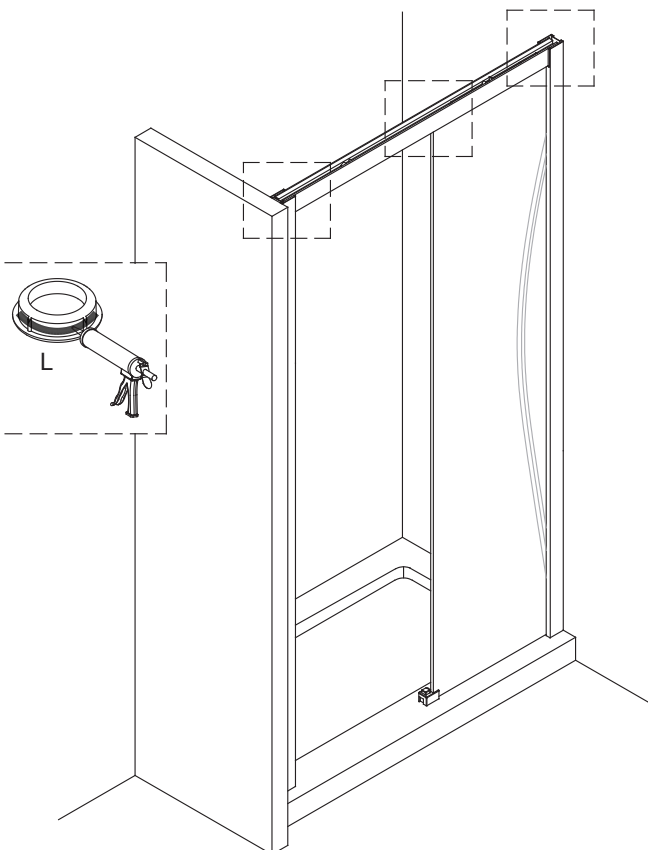
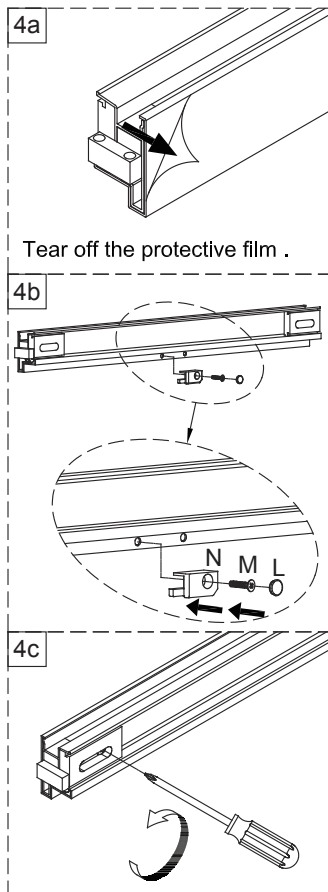


Model	A (mm)
ISLSC1200+	1150~1190
ISLSC1400+	1350~1390
ISLSC1500+	1450~1490
ISLSC1700+	1650~1690

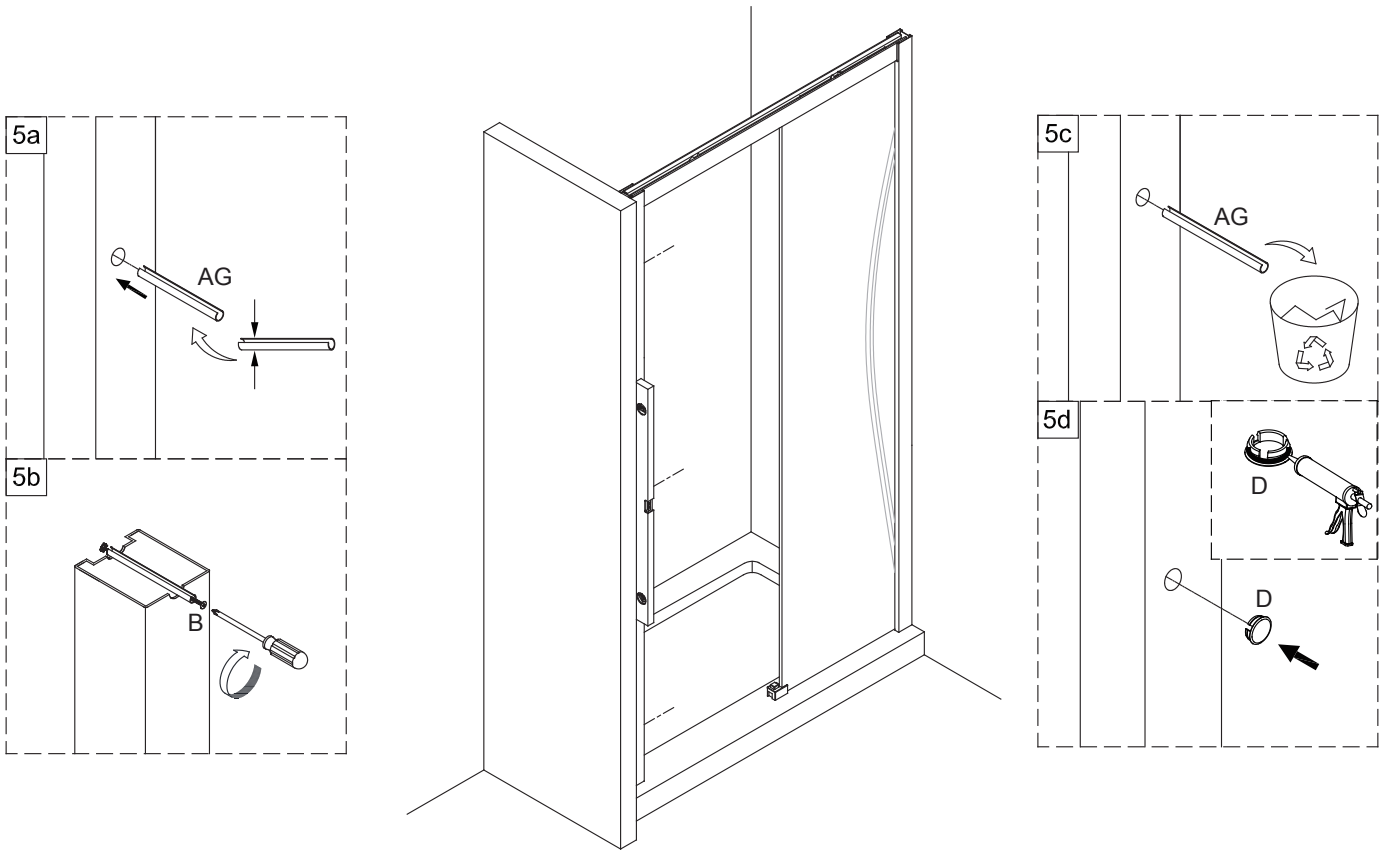
Step 3



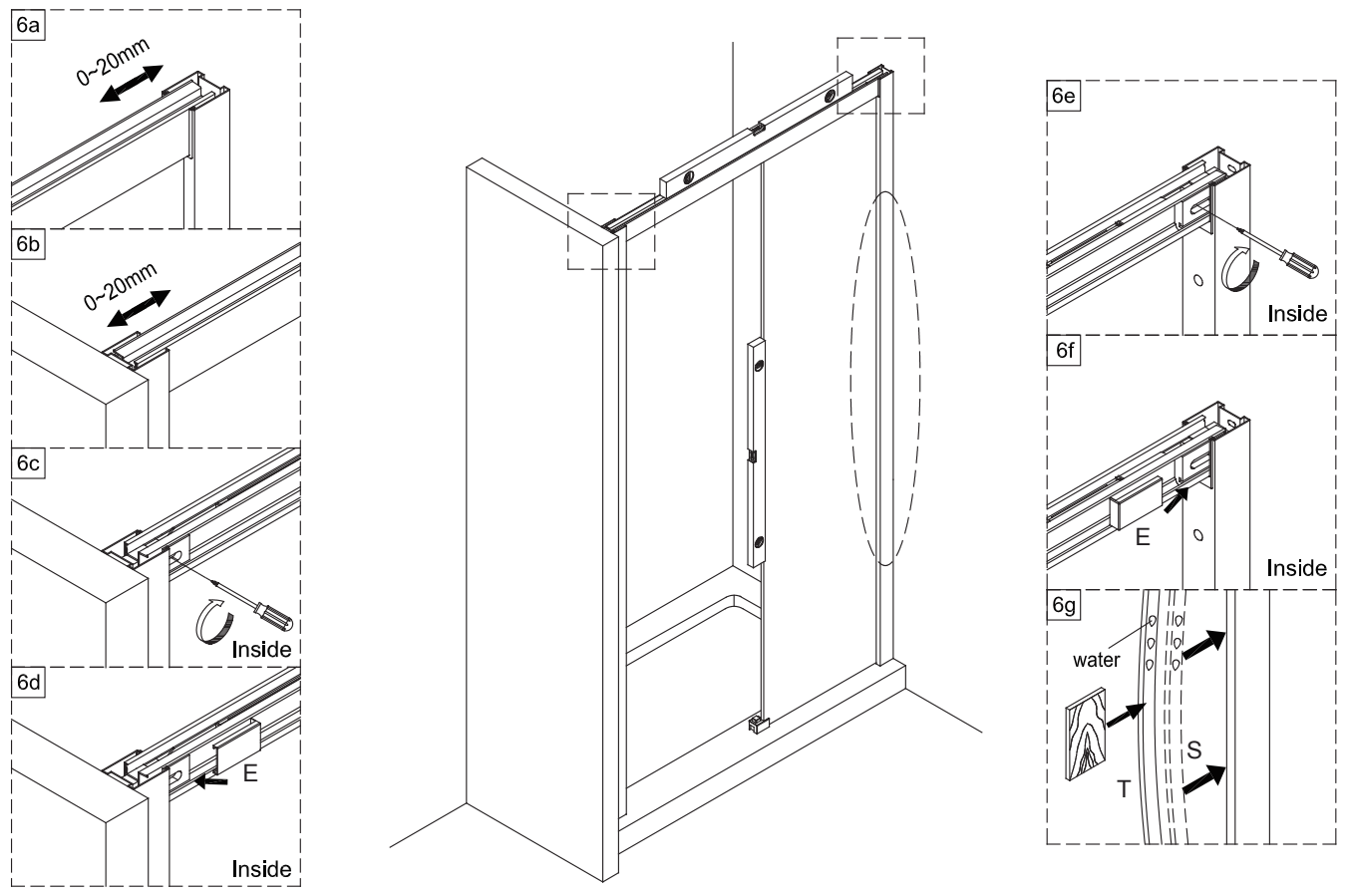
Step 4



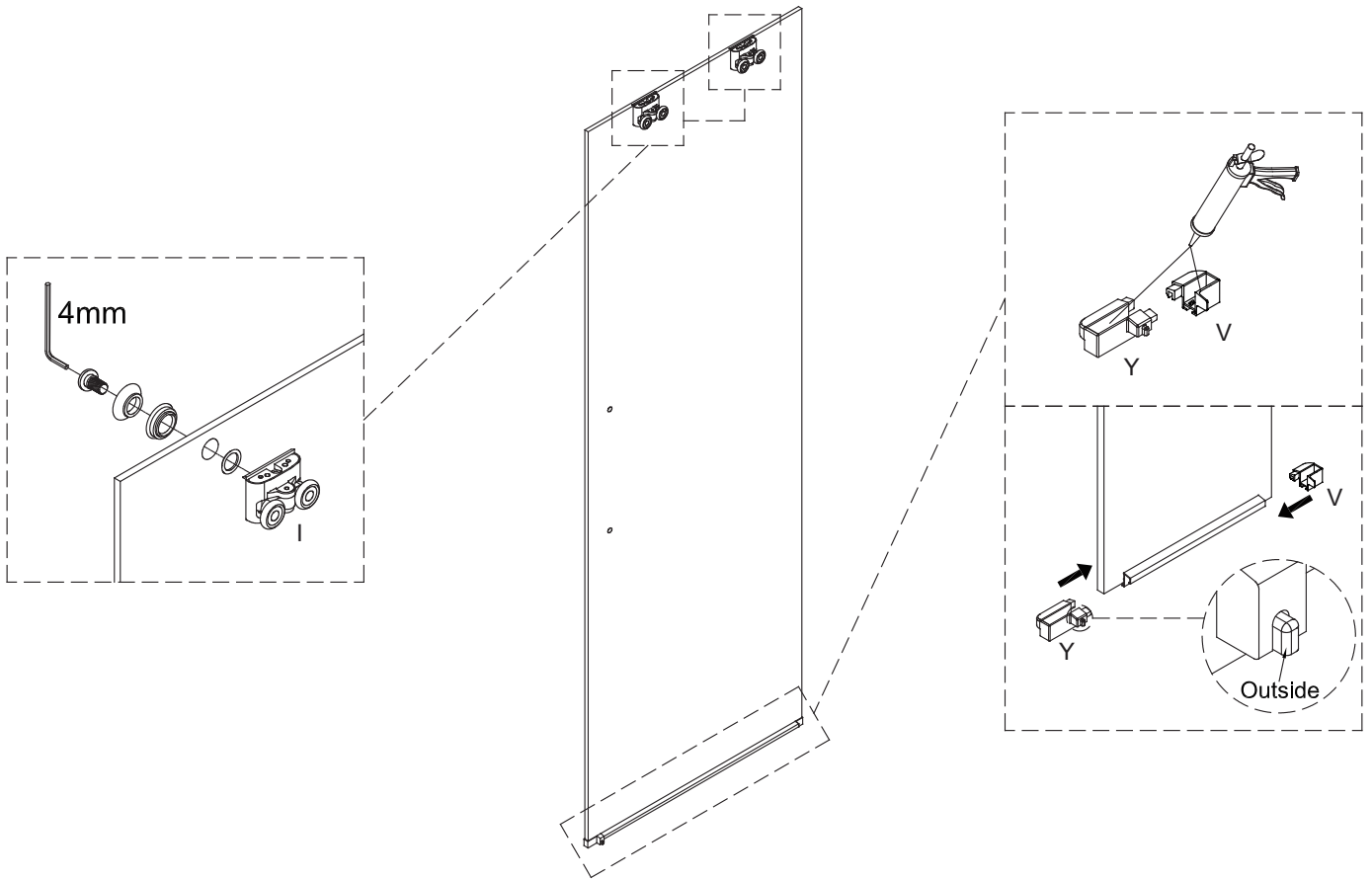
Step 5



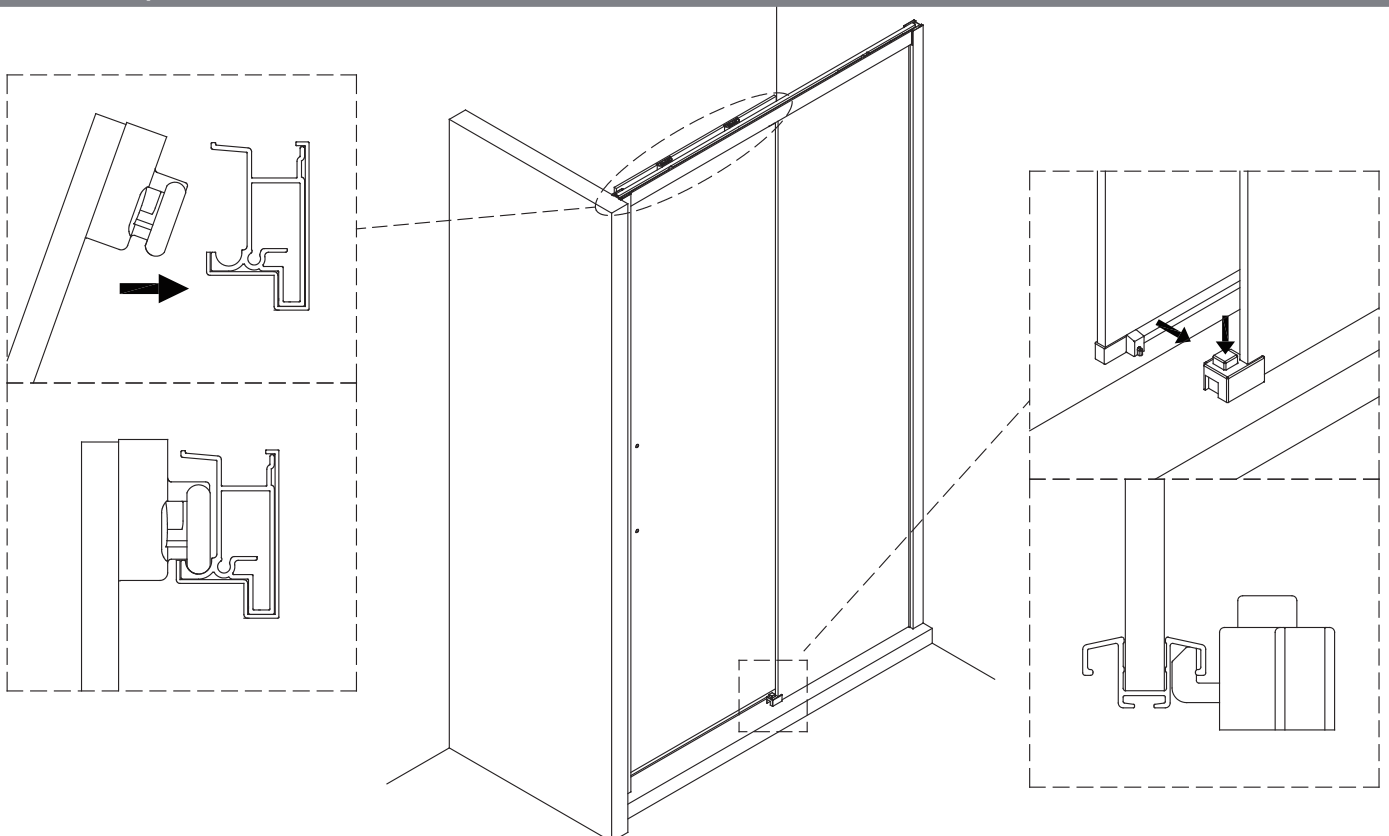
Step 6



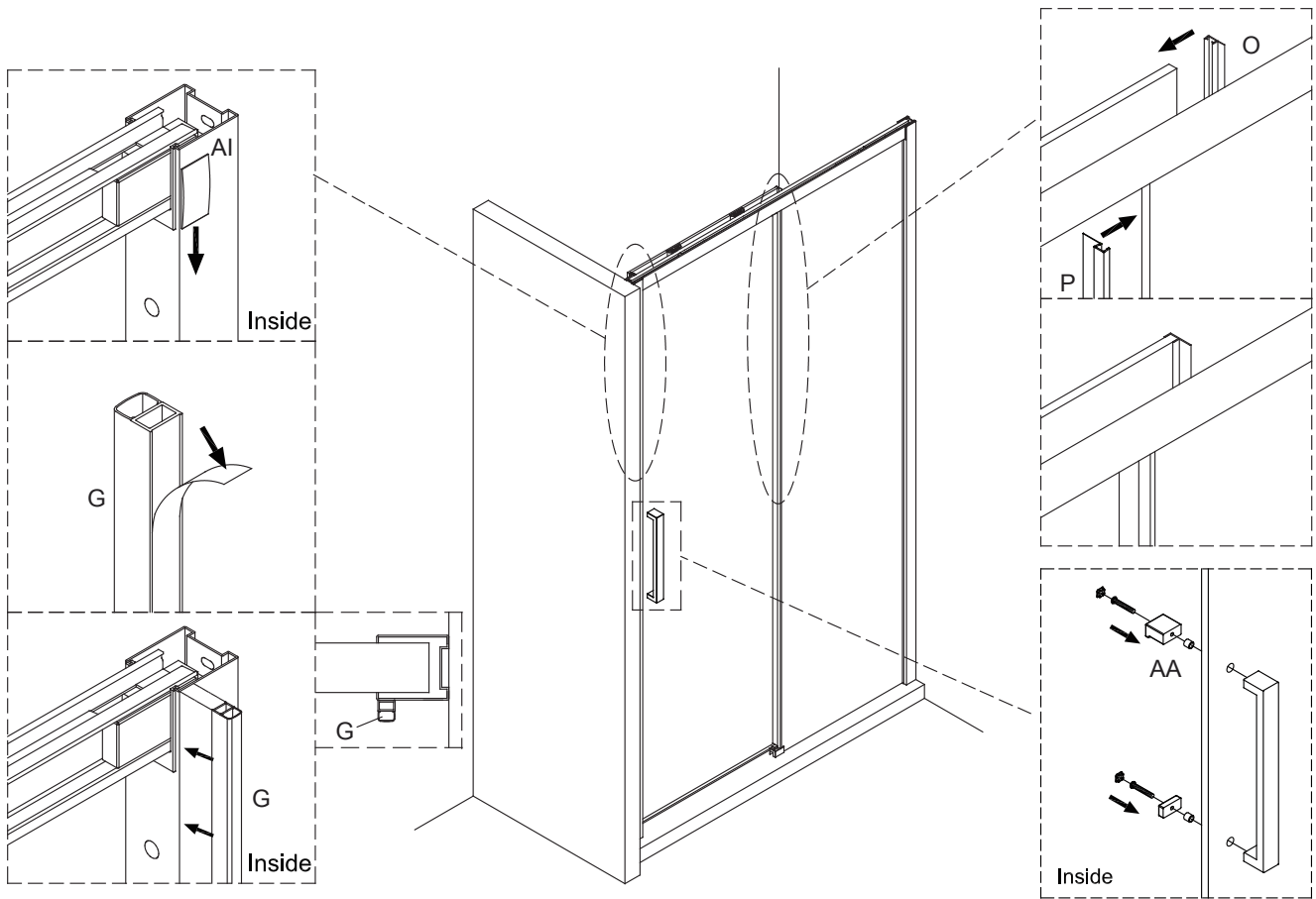
Step 7



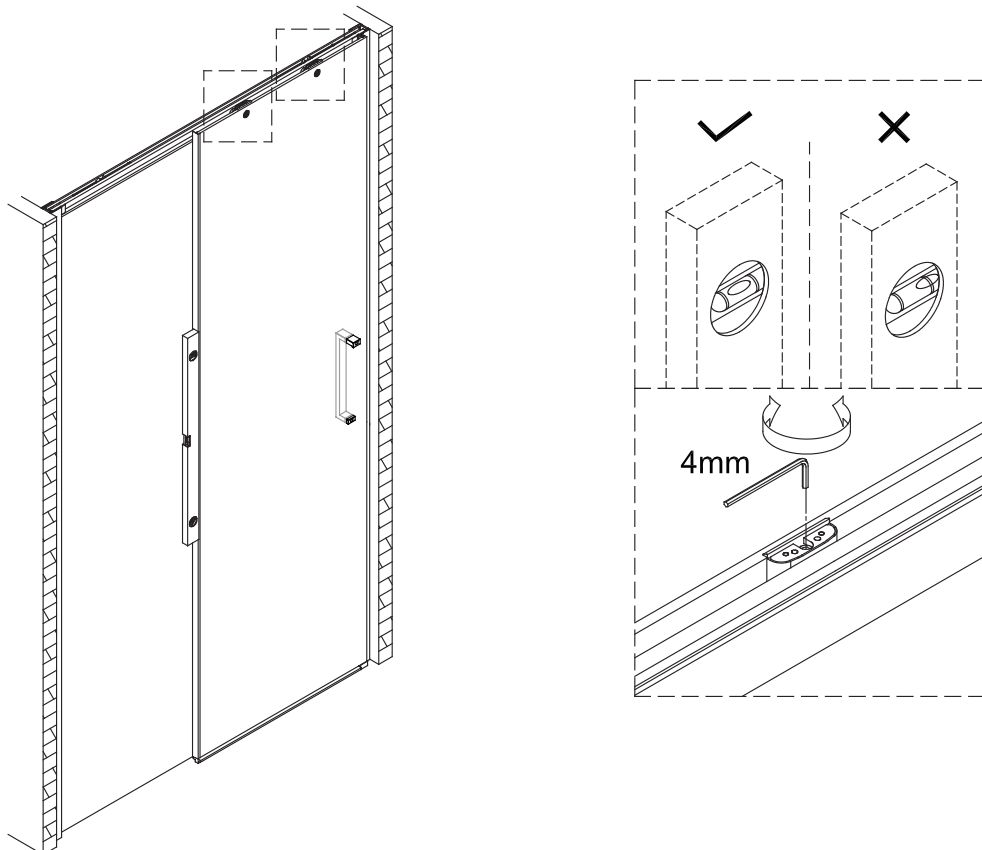
Step 8



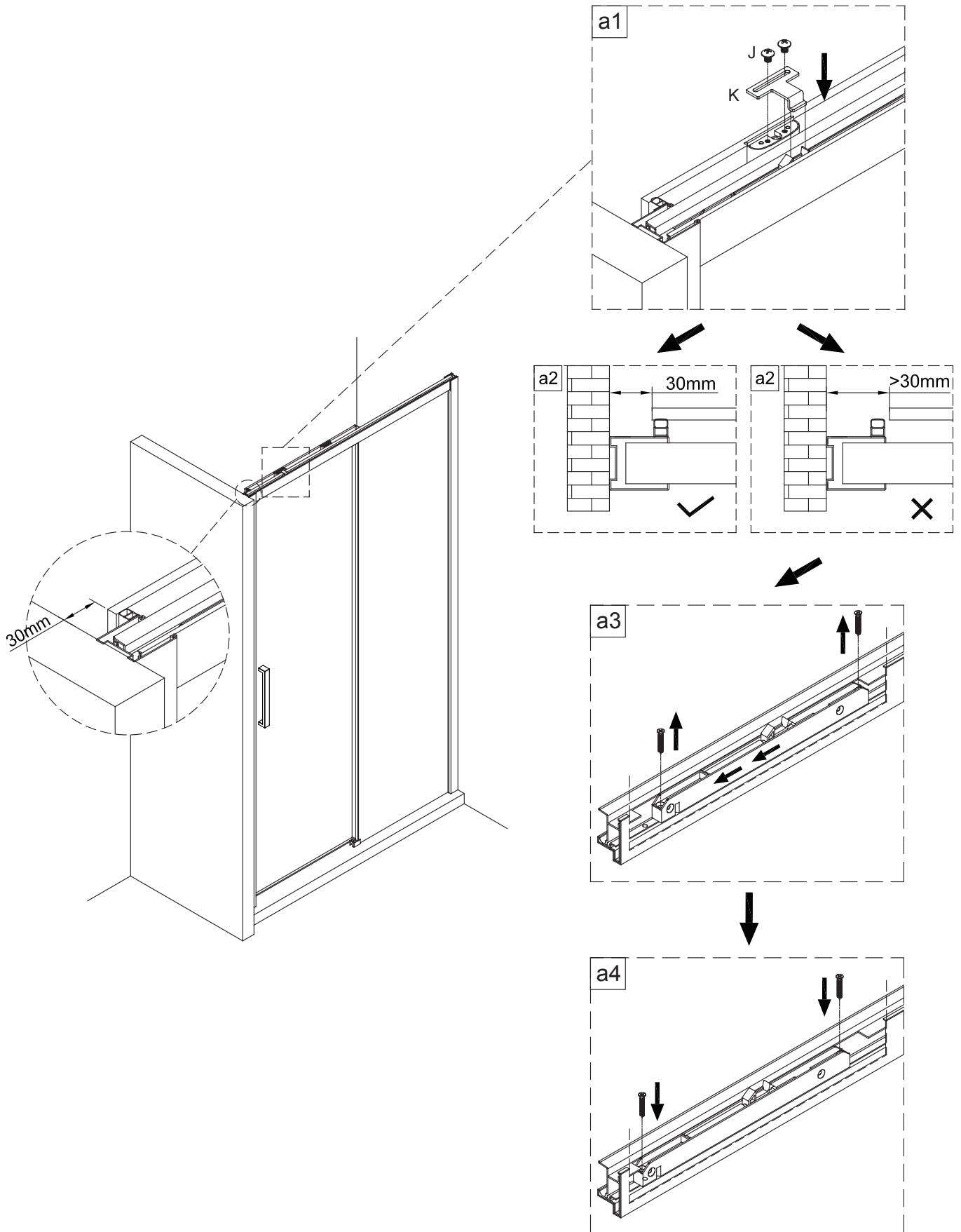
Step 9



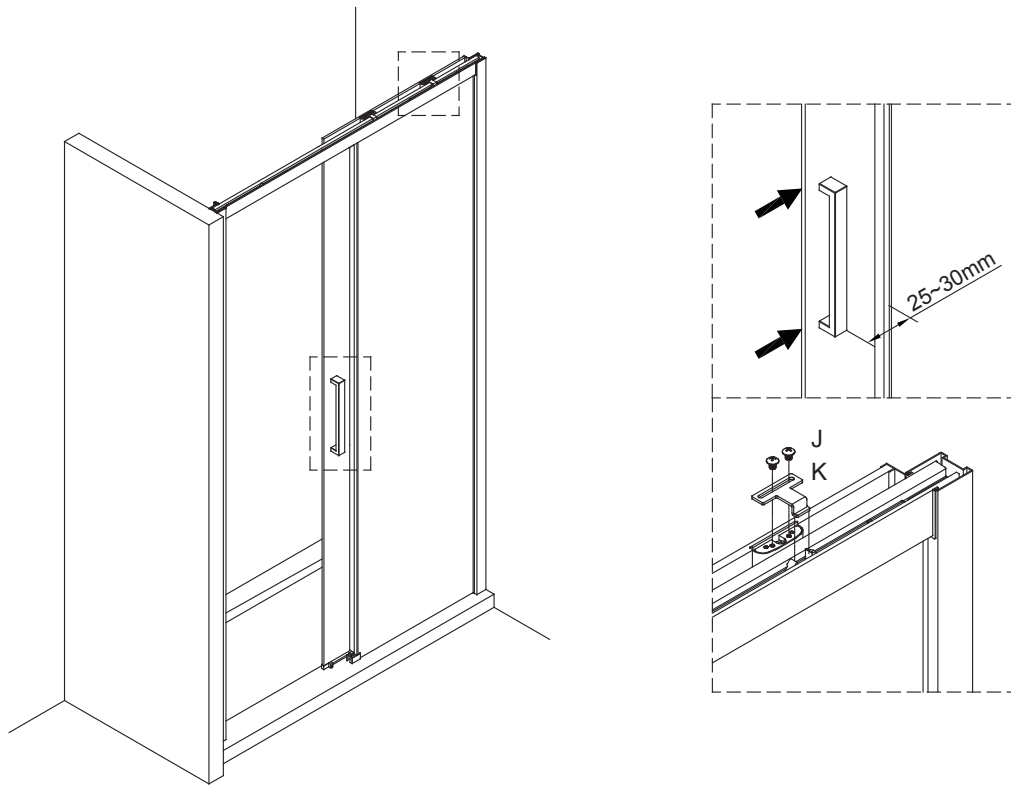
Step 10



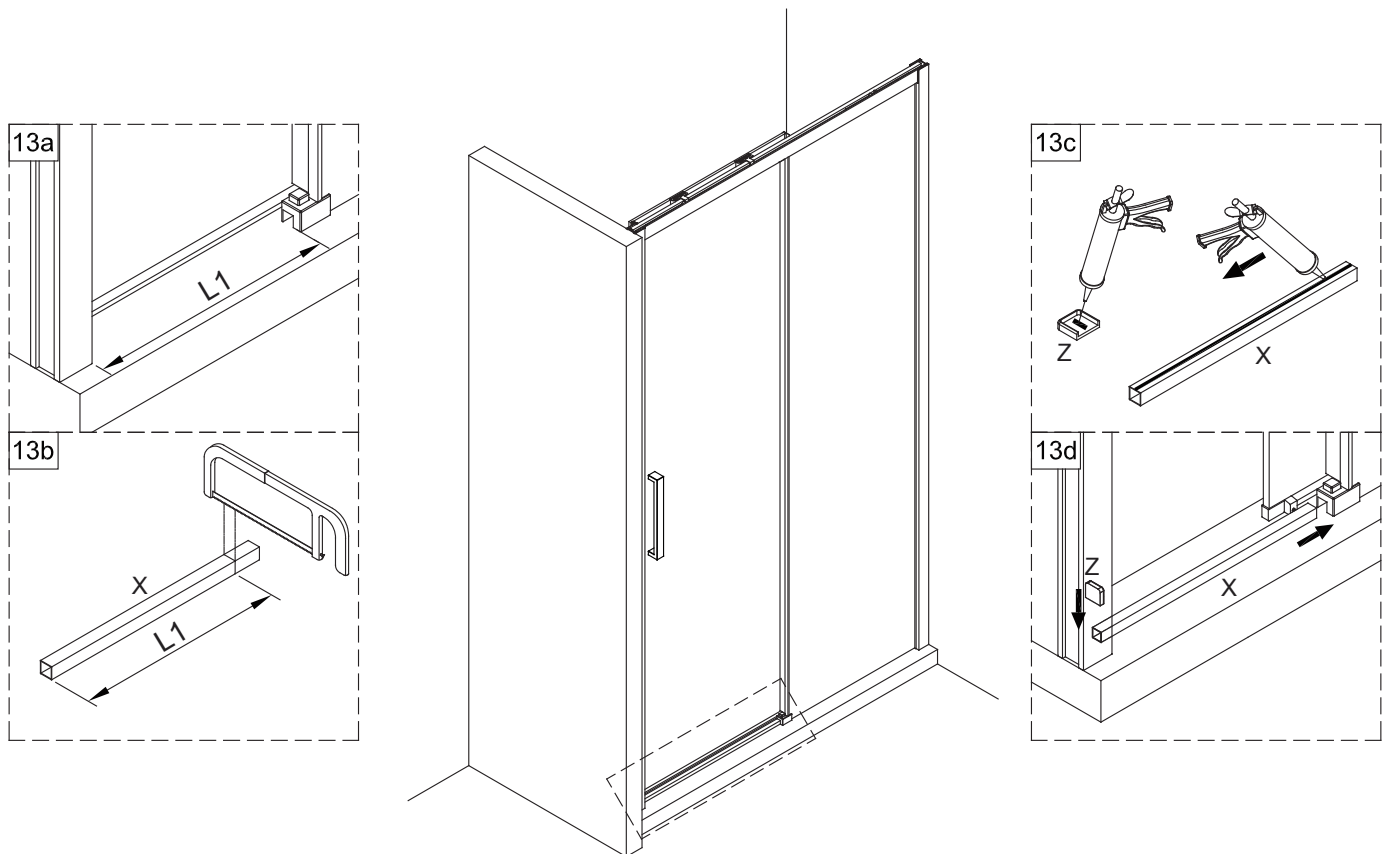
Step 11



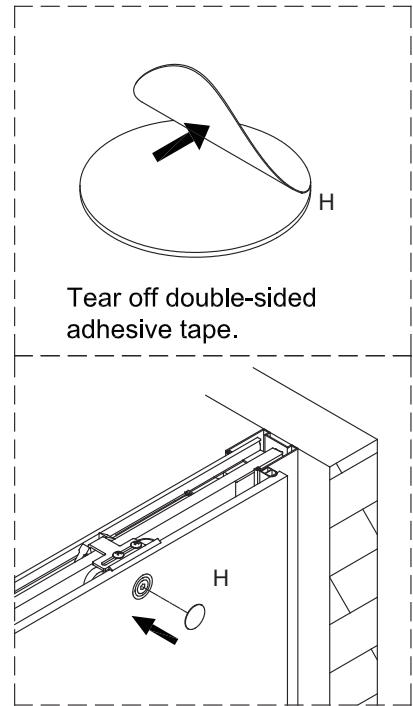
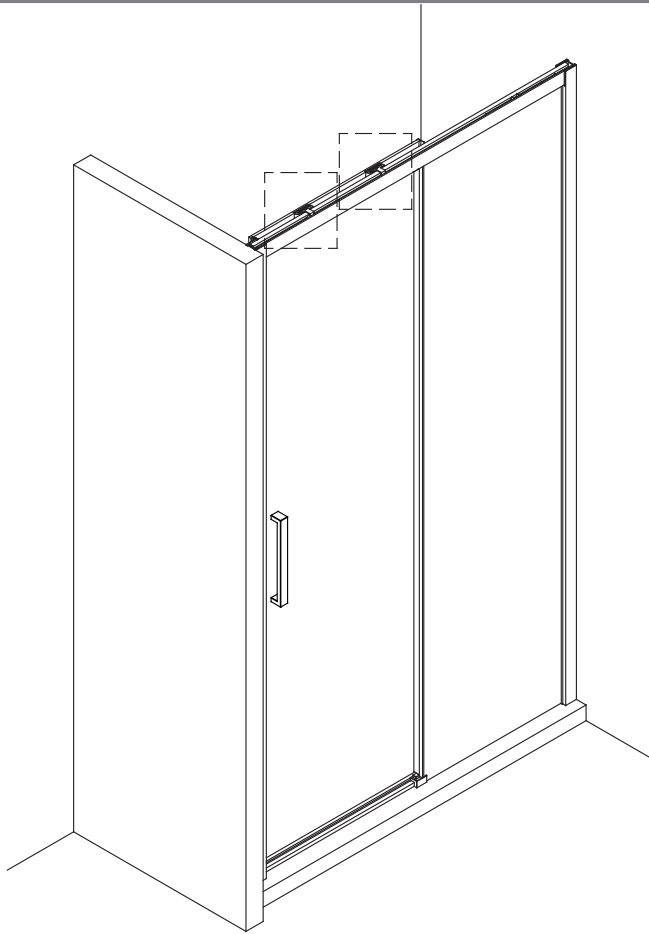
Step 12



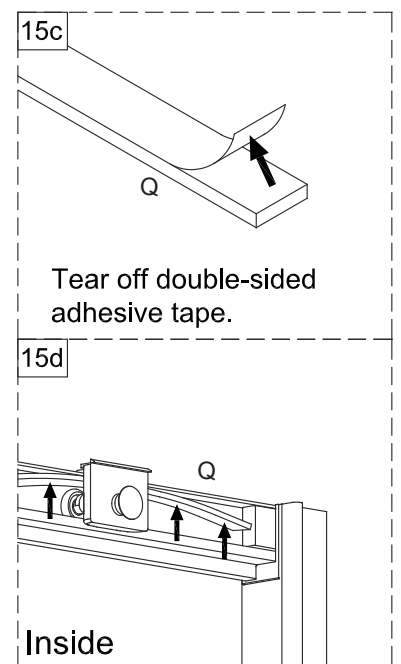
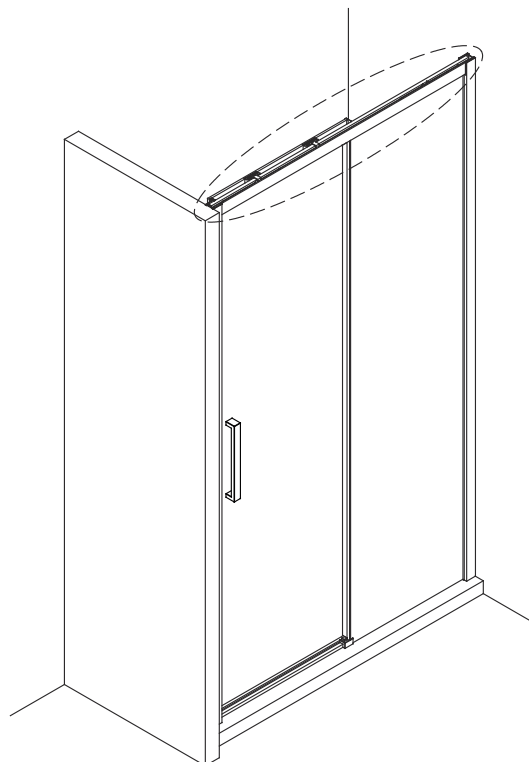
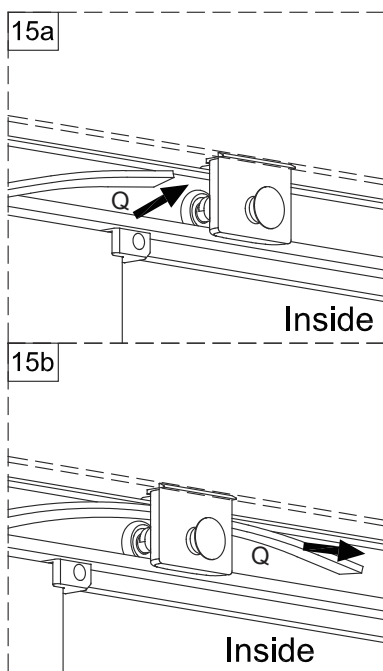
Step 13



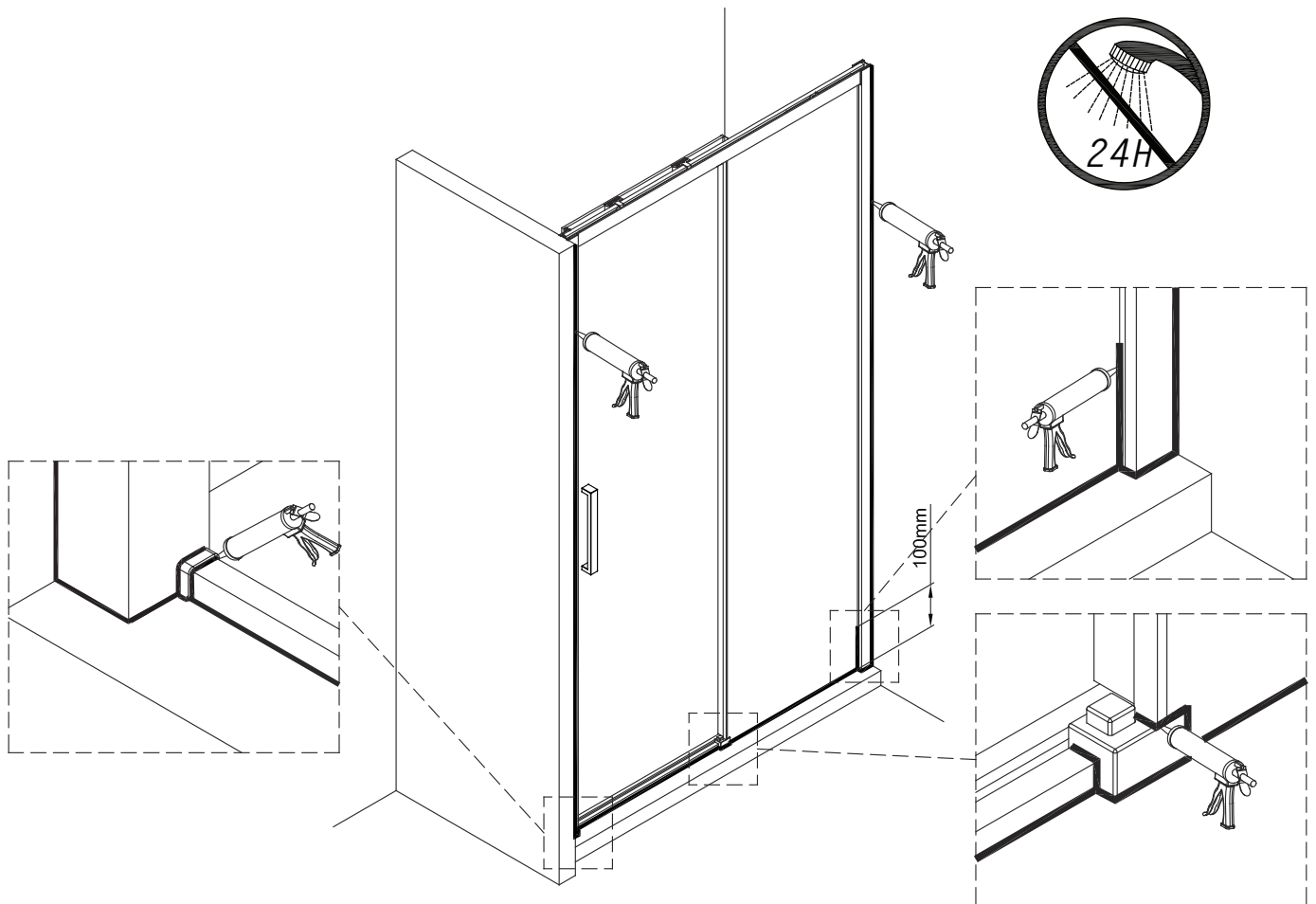
Step 14



Step 15



Step 16



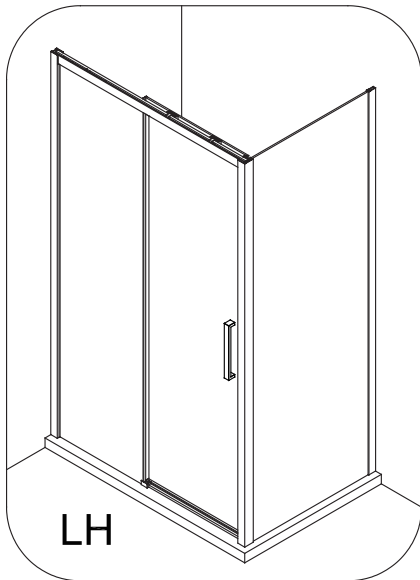
INFINITY SIDE PANEL

ISPSC0800+
ISPSC0900+
ISPSC1000+

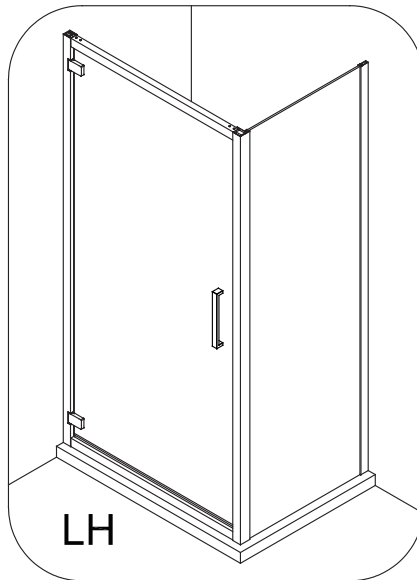
IMPORTANT

BEFORE STARTING THE INSTALLATION ENSURE ALL THE DOOR SIZE MEASUREMENTS CORRESPOND WITH THE INSTALLATION AREA INCLUDING THE FINISHED TILED/PANELLED WALLS.
RETURNS DUE TO INCORRECT SIZING WILL NOT BE ACCEPTED.

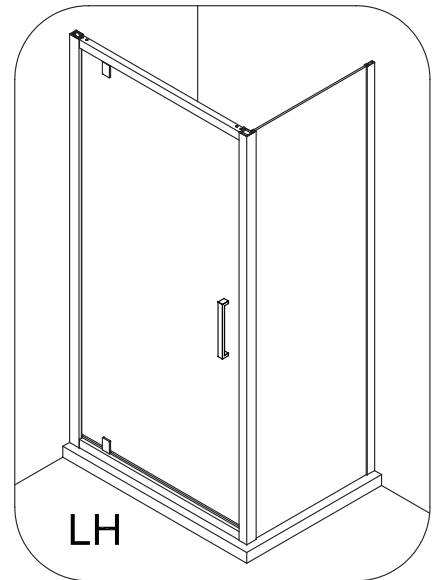
SET A



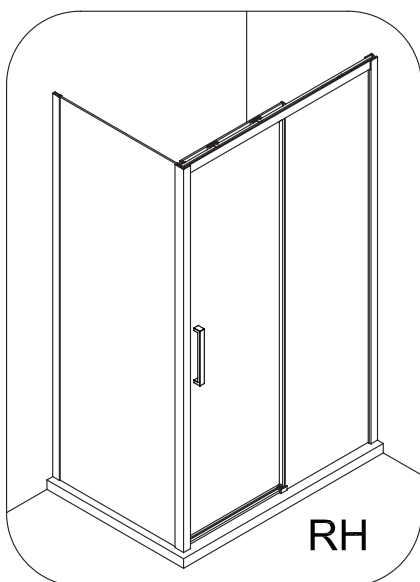
SET B



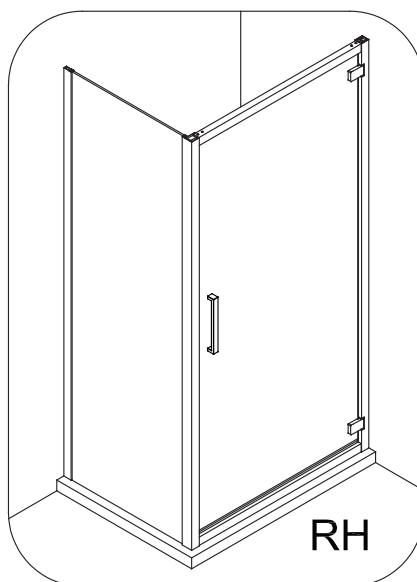
SET C



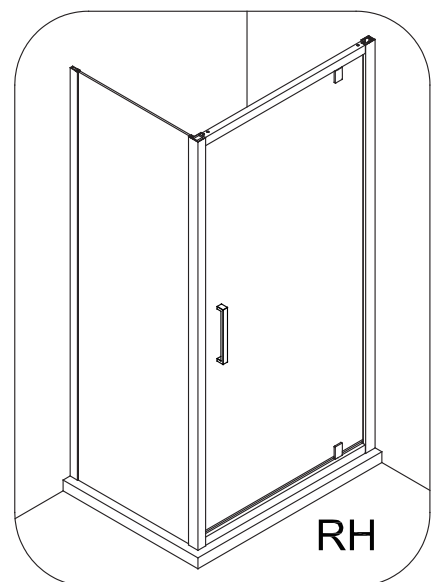
SET A



SET B



SET C



INSTALLATION INSTRUCTIONS

crosswater[®]
SHOWERING

IMPORTANT - Please read before installation

Please read these instructions carefully before starting installation and keep in a safe place for future reference.

Check the contents of the pack carefully before installation. Crosswater will not be held responsible for any de-fit / re-fit costs where faulty product has been fitted.

If any fault is found with materials or workmanship, it must be reported immediately to the manufacturer. Remedial action will be taken, based on information received, on condition that:

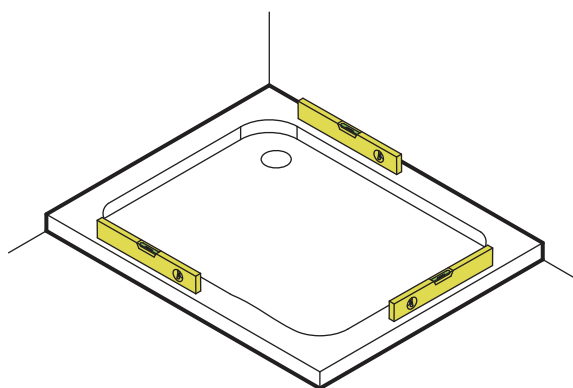
1. Full details are supplied to the manufacturer;
2. The enclosure has not been modified or tampered with;
3. The manufacturer is informed of any damage/shortages prior to installation.

We do not accept responsibility for any problems that may occur through incorrect installation.

The success of the installation and operation of any shower enclosure is, of course, dependant on the squareness, alignment and construction of the walls to which fixing is to be carried out.

VERY IMPORTANT

You must complete all tiling and grouting, and the shower tray **MUST** be level and fully sealed to the tiles before installation. If you do not fit the enclosure onto a tiled surface, or seal the tiles to the tray before installation, water may soak into the wall behind the wall profiles.



INSTALLATION - Advice and safety

The installation instructions are based on typical use and conditions.

These products come with the two wall channels pushed onto each side of the glass panel frame.

These hints have been prepared for your guidance, you must exercise due care at all times.

For Health and Safety 2 people must carry out the installation of this enclosure.

Handle glass with care. Although the glass supplied is toughened safety glass (EN12150), impacts can damage both the glass and the frame.

Warning!

Please check for any hidden pipes or cables before drilling holes in the wall.

To stop the drill bit slipping, masking tape can be applied to the tiles when preparing the holes.

When using power tools always follow the manufacturers user instructions.

Do not sit the enclosure on a bed of silicone, as this will also stop any water from draining back into the tray.

If the enclosure is sealed to the tray on the inside, any water that may get into the framework will not be able to drain back into the tray, this may cause the enclosure to leak.

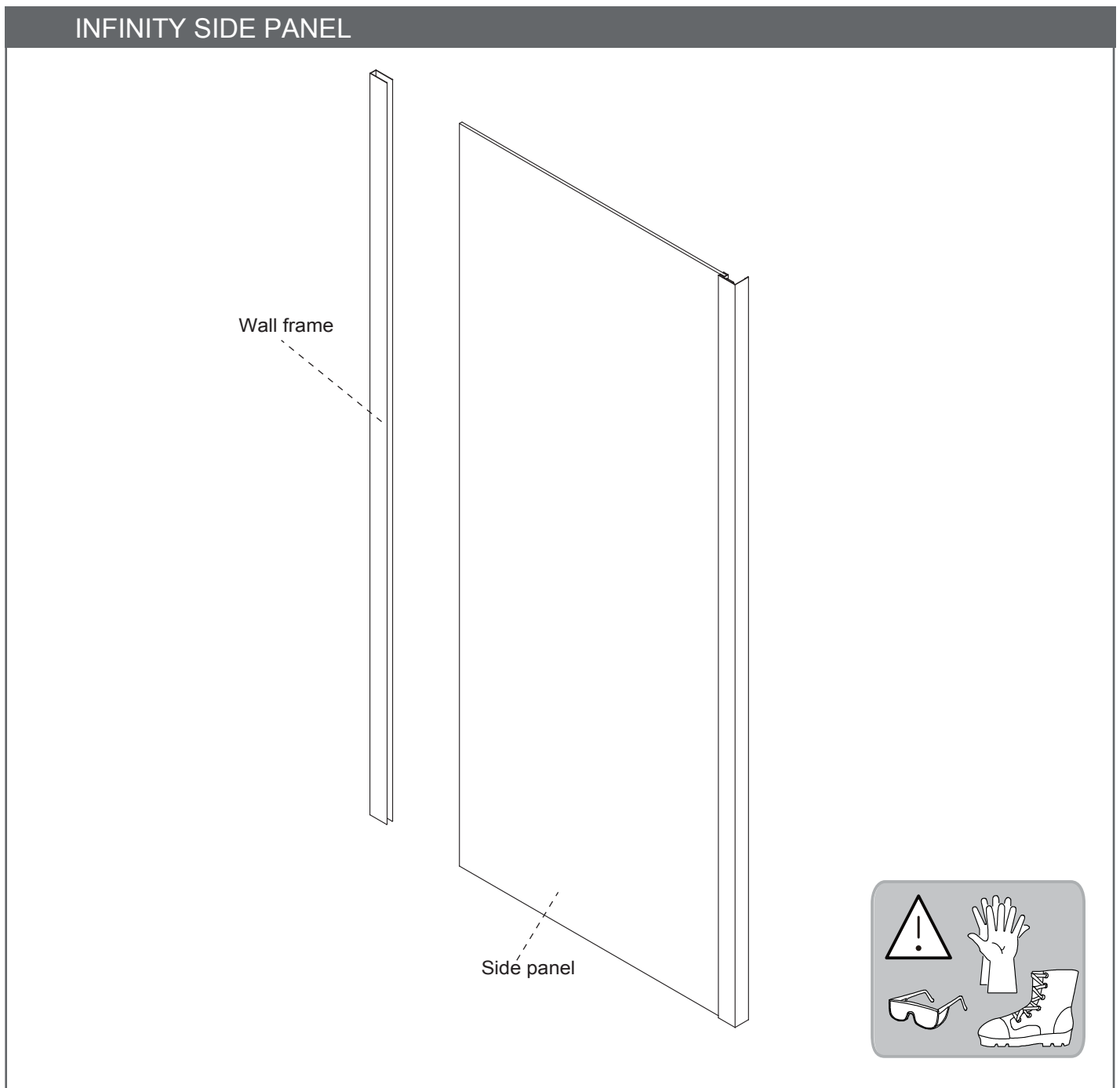
Leave the silicone sealant to dry for 24 hours before using the enclosure.

CARE AND CLEANING

Do not use solvents or abrasive material or chemicals to clean the enclosure.

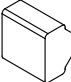
Only clean using soapy water and a soft cloth, rinse thoroughly afterwards.


CONTENTS

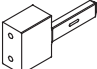



A  Washer I x 3


D  Washer II x 2


G  Filler x 2

B  Wall frame sealing strip I x 1

E  Adjustment block x 2

H  2.5mm Allen key x 1

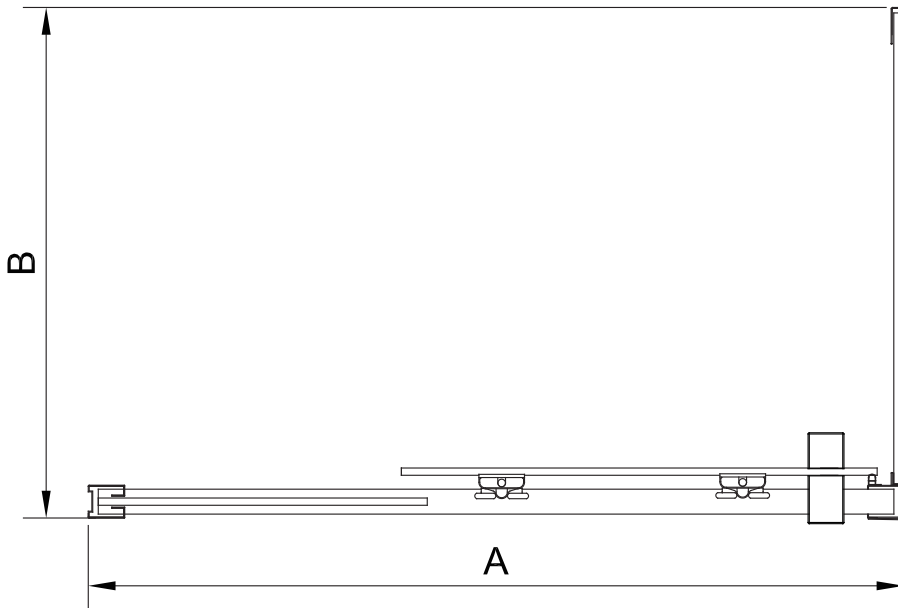
C  Wall frame sealing strip II x 1

F  M4 *10mm screw x 4

Tools and equipment needed

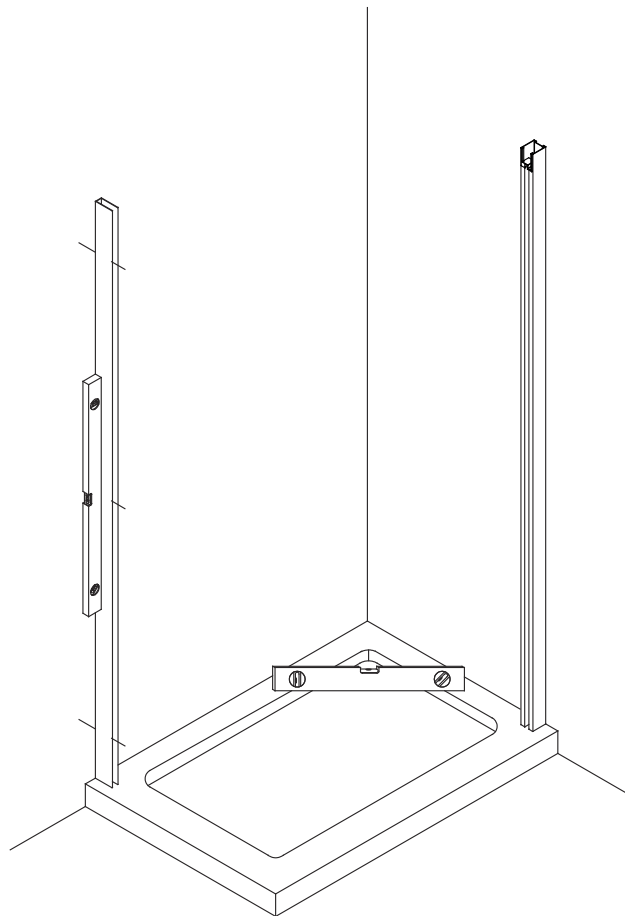
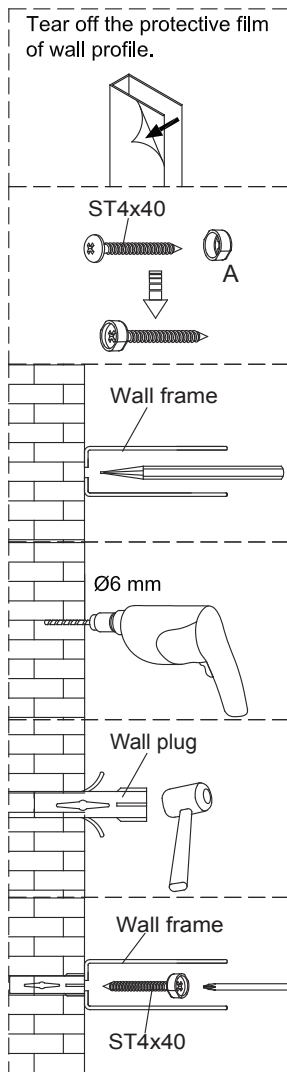
Drill, 6mm Masonry drill bit, 3.2mm General drill bit, Philips screwdriver, Spirit level, Pencil, Scissors, Silicone sealant.

Step 1

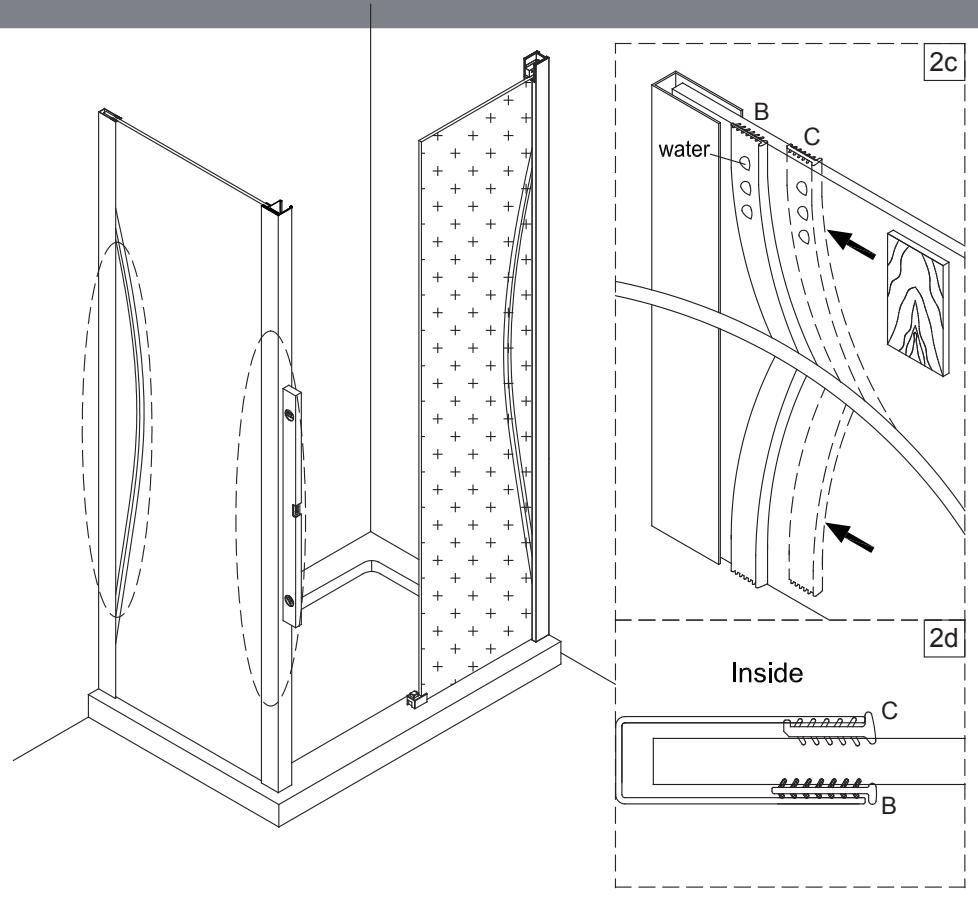
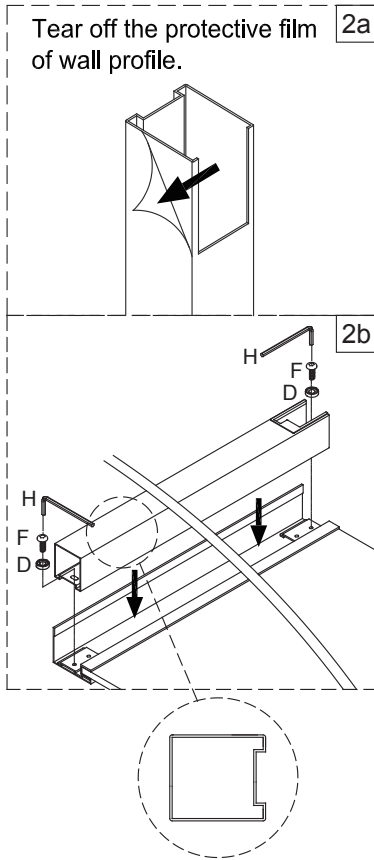


Model	A (mm)
ISLSC1200+	1150~1170
ISLSC1400+	1350~1370
ISLSC1500+	1450~1470
ISLSC1700+	1650~1670

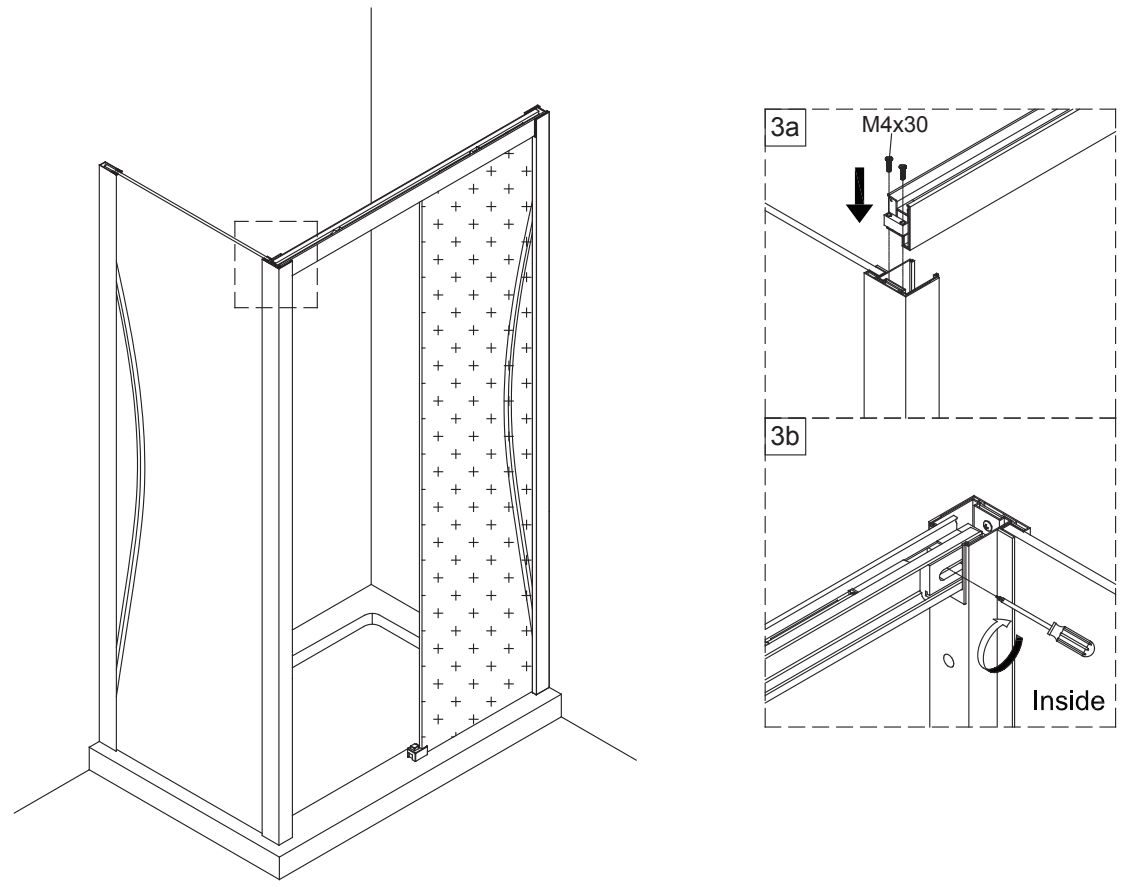
Model	B (mm)
ISPSC0800+	760~780
ISPSC0900+	860~880
ISPSC1000+	960~980



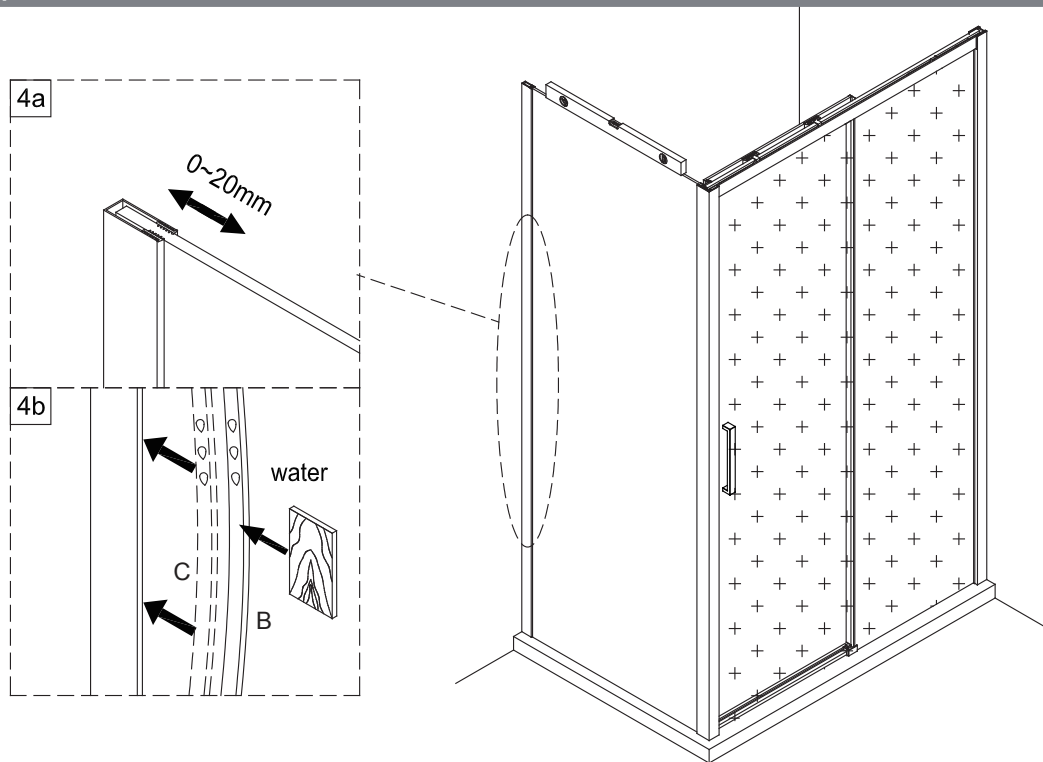
Step 2



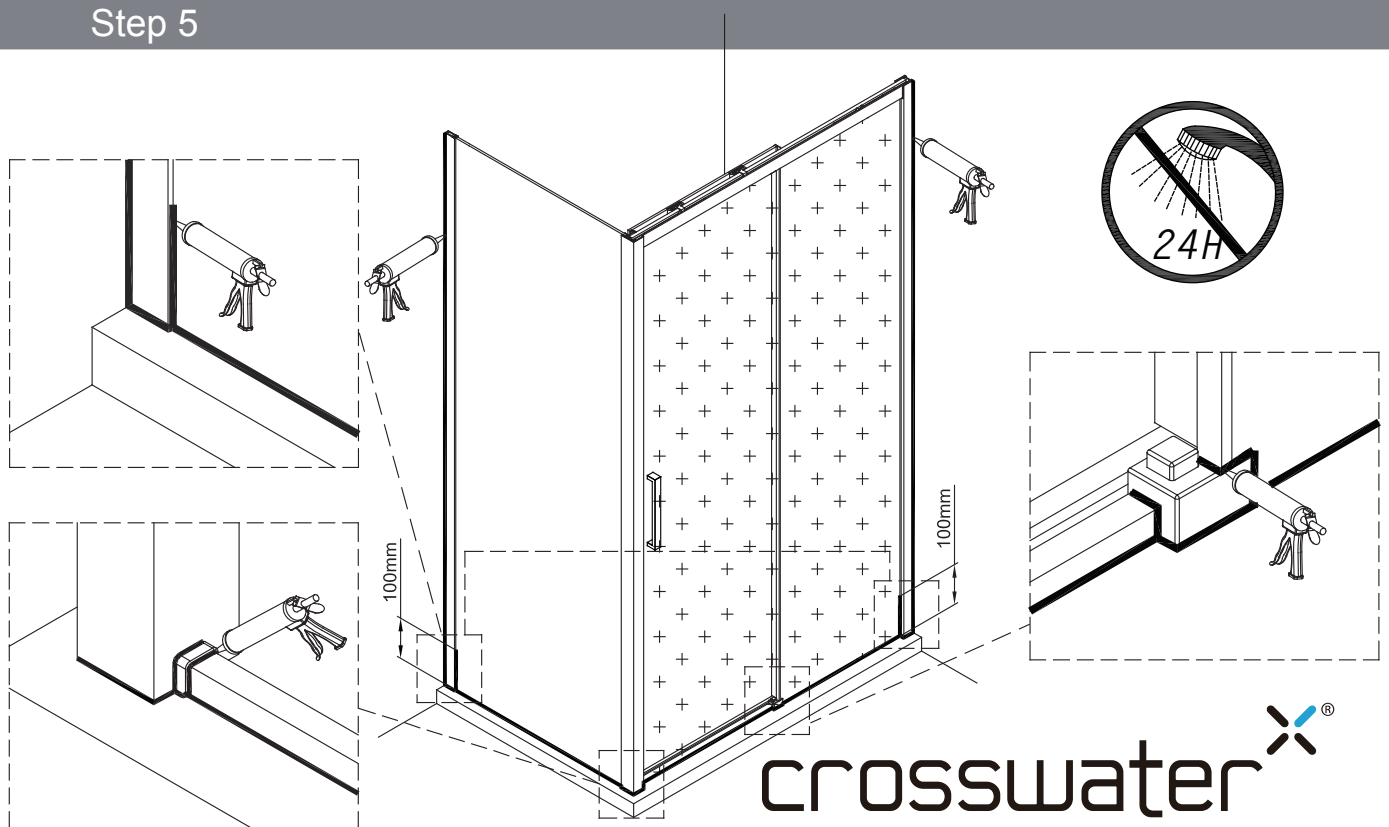
Step 3



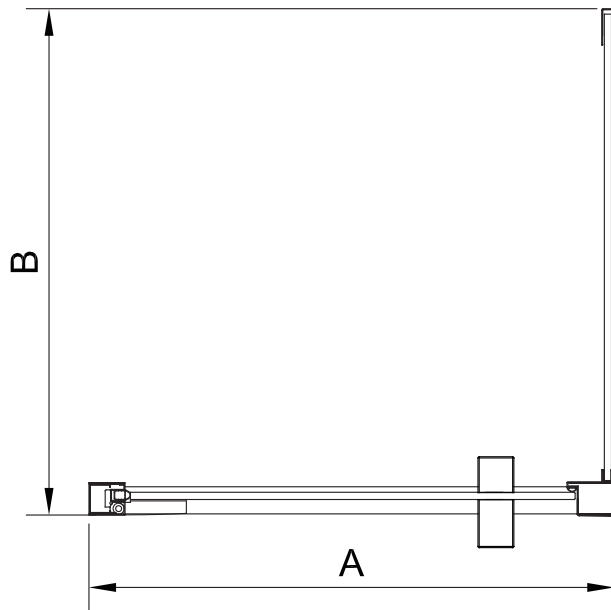
Step 4



Step 5

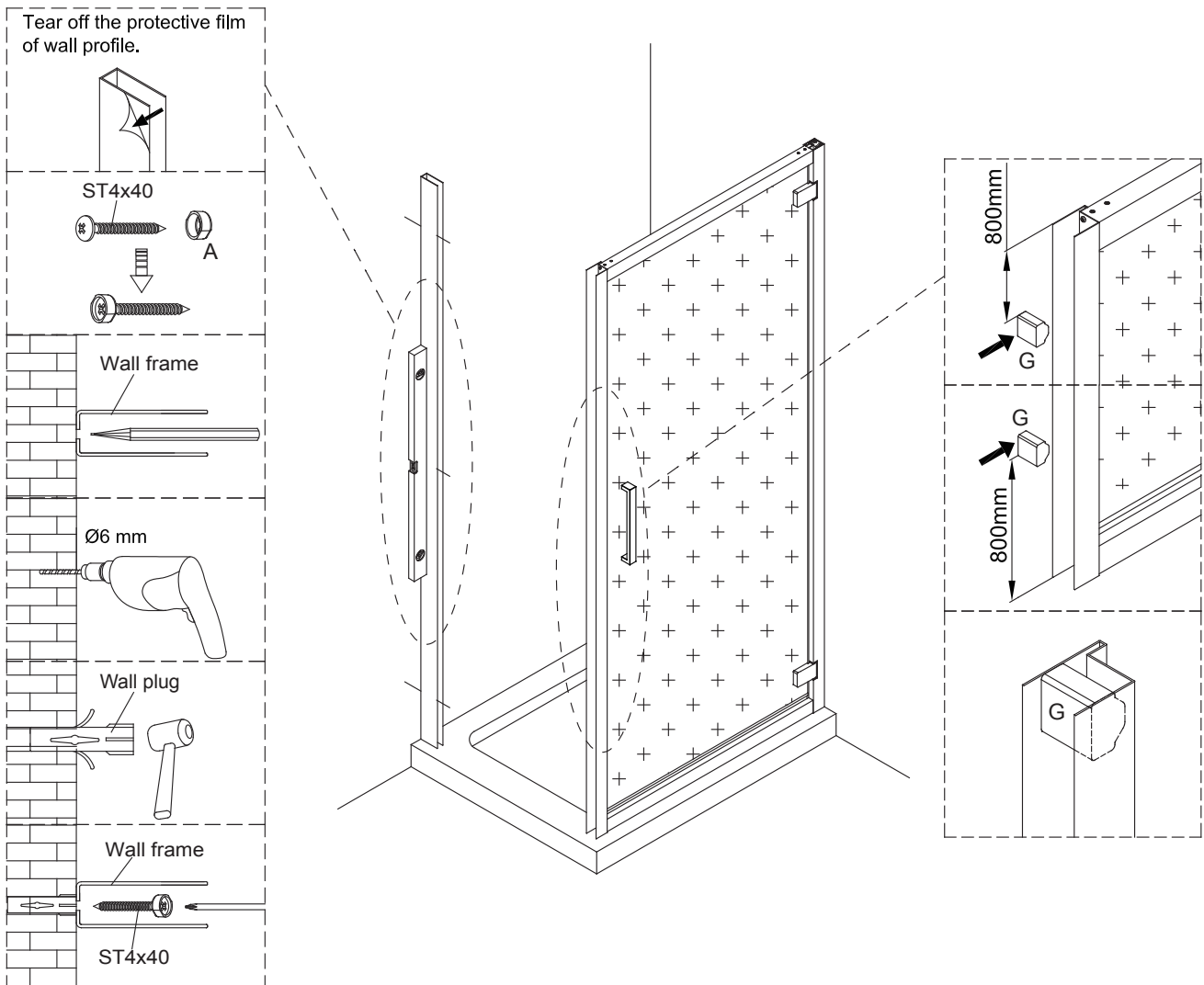


Step 1

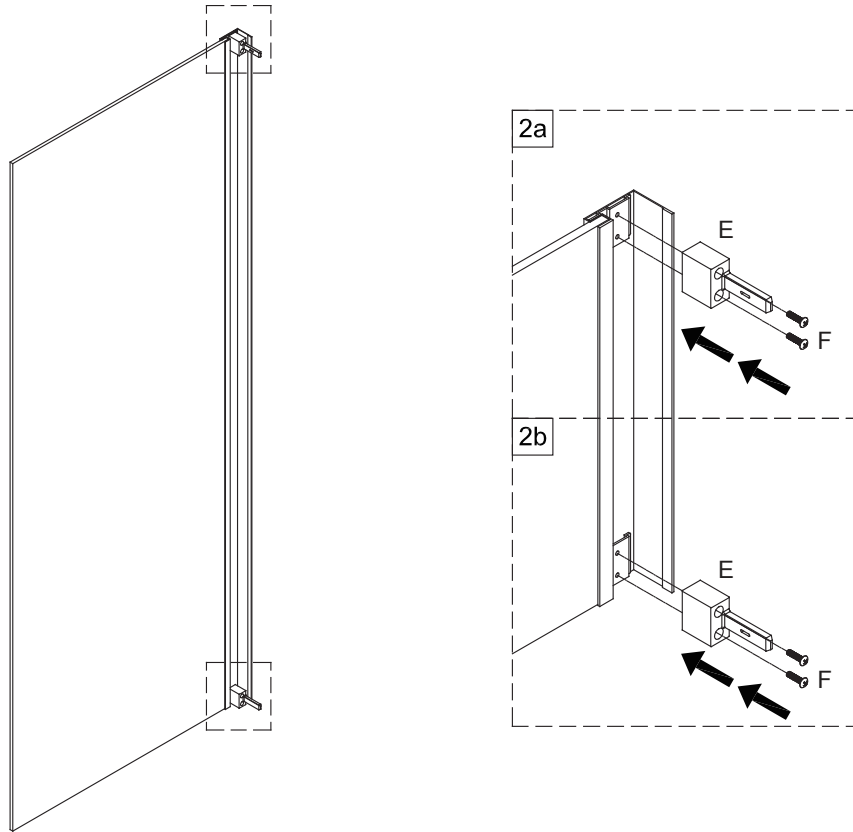


Model	A (mm)
IHDSC0800+	750~770
IHDSC0900+	850~870
IPDSC0900+	850~870

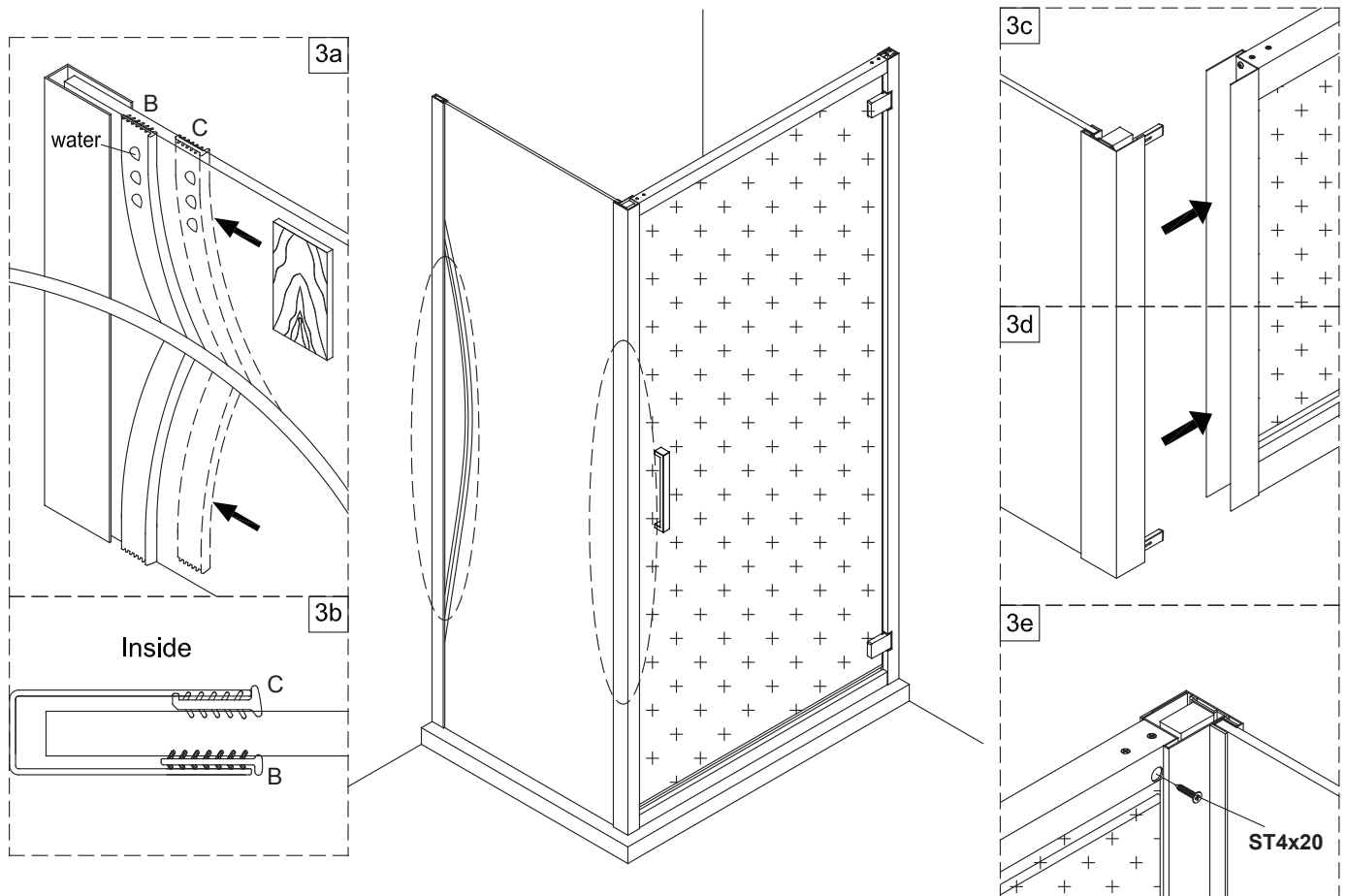
Model	B (mm)
ISPSC0800+	760~780
ISPSC0900+	860~880
ISPSC1000+	960~980



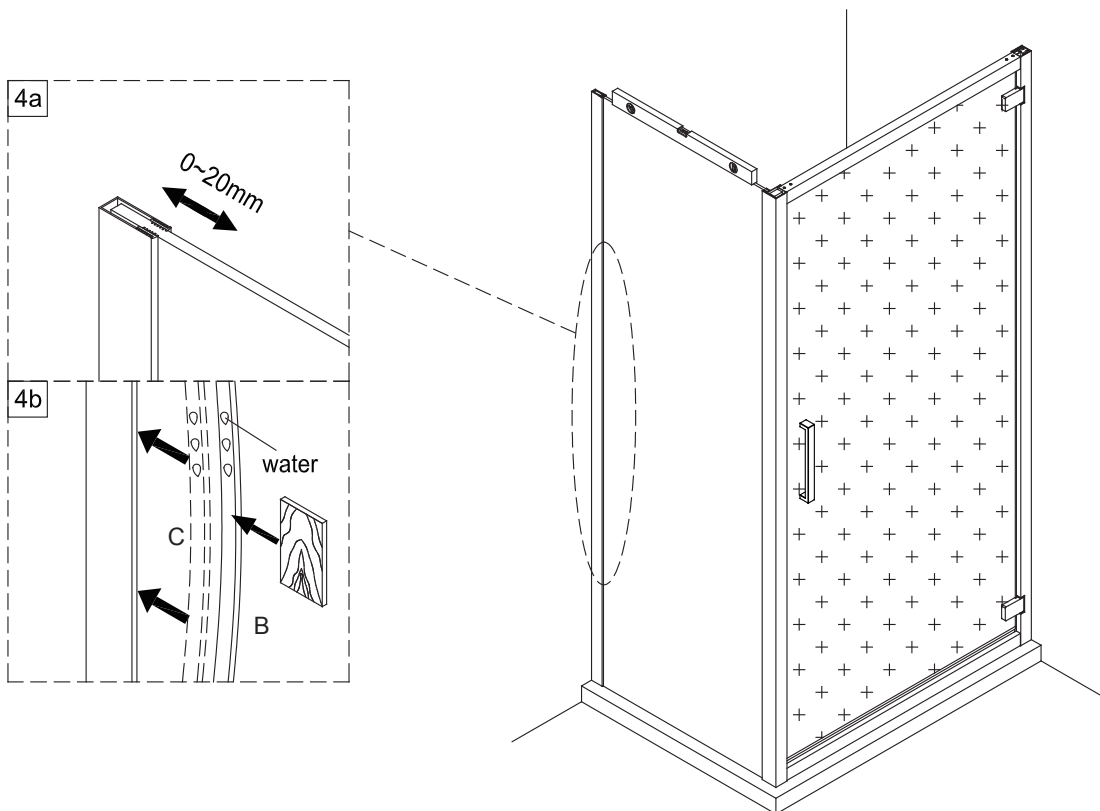
Step 2



Step 3



Step 4



Step 5

