

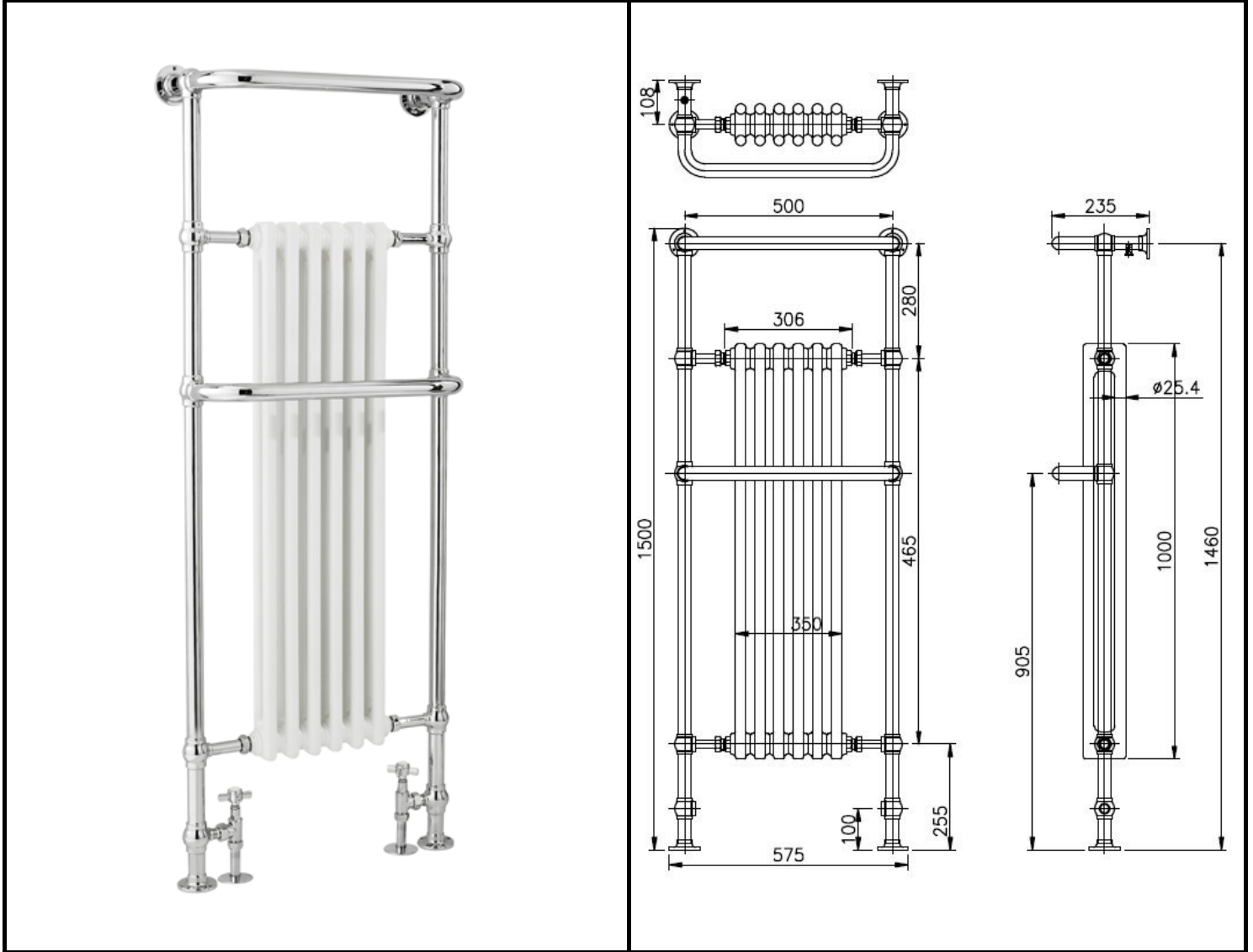
B A Y S W A T E R

London W.2

CODE: BAYR004

DESCRIPTION: Franklyn Towel Rail/Rad 1500X575x230

CATEGORY: Heating



PRODUCT DIMENSIONS				
Height (mm)	Width (mm)	Depth (mm)	Length (mm)	Nett Wgt Kg
1500	575	235		21.4

PACKAGING DIMENSIONS			
Height (mm)	Width (mm)	Length (mm)	Gross Wgt Kg
1705	705	305	21.4

PACKAGING DATA			
Box Colour	White Cardboard Shrinkwrapped		
Box Qty	1	Label Colour	White Label
Label Size	100 x 50	Label Qty	2

OUTER BOX DIMENSIONS (If Applicable)			
Height (mm)	Width (mm)	Length (mm)	Gross Wgt Kg
Barcode	5055275889930		

PRODUCT DETAILS						
Contry of Origin	United Kingdom					
Fitting Instruction	Yes					
RAL No	9016					
Heat Element Wattage	Not Applicable					
BTU Outputs	30°C	1140	50°C	2153	60°C	2699
Pipe Centres	355mm					
Packaging Volume (L)						
Wall to Ctr of Tappings	N/A					
Dual Fuel	N/A					

Certification	CE	No	RoHS	N/A	WEEE	N/A
Colour/Finish	Chrome & White					
Product Material	Steel					
Heat Element Wattage Compatible	N/A					
Thermal Outputs (Watts)	30°C	334	50°C	631	60°C	791
Max Projection	240mm					
Tube Diameter	33mm					
Floor to Ctr of Tappings	N/A					