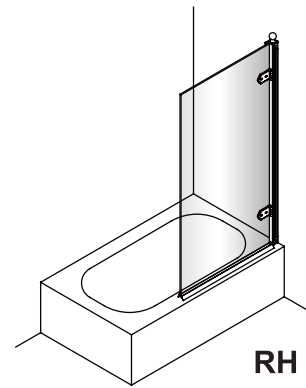
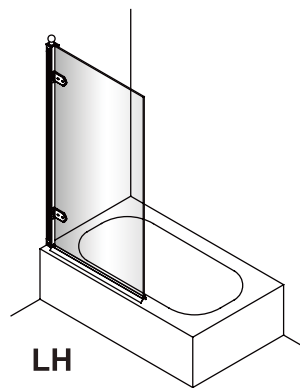


Burlington®

Bath Screen - C9



Before Installation:

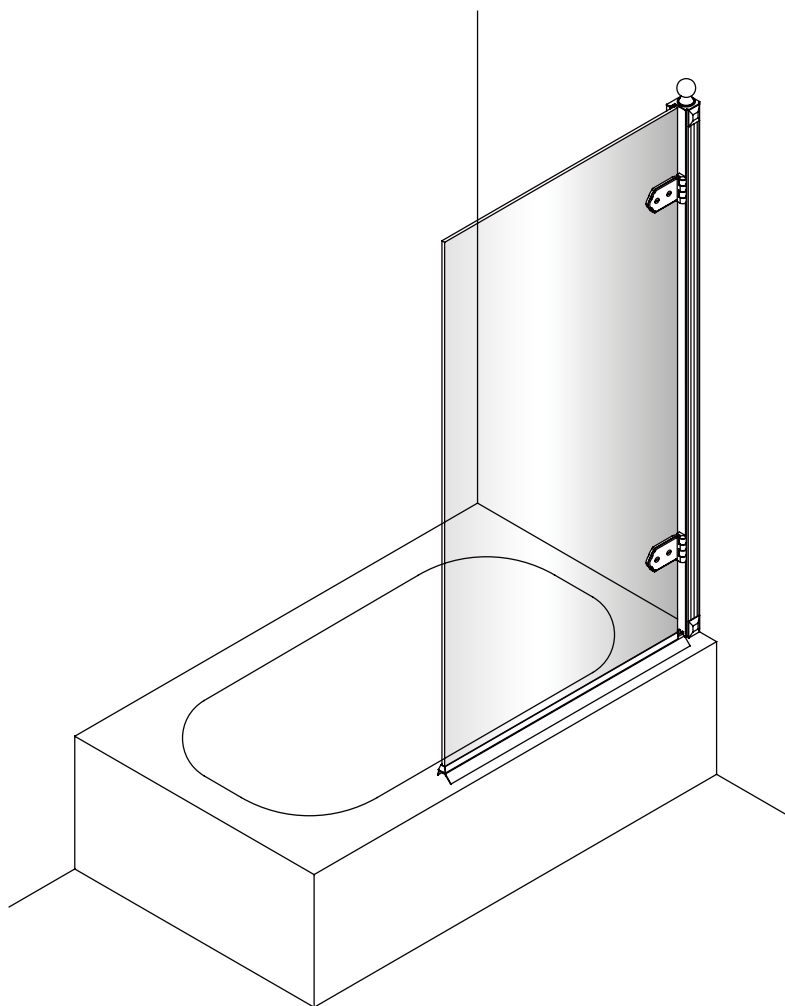
- Check the contents of the pack carefully before installation.
- The bath **MUST** be installed level and fully sealed to the tiles.
- Handle with care. Impacts can damage both the glass and the frame.
- Check for any hidden pipes or cables before drilling holes in the wall.
- The enclosure is reversible: " door can be either left or right opening. "

In the remainder of this manual the illustrations will only show the right hand installation of the bath screen. The parts marked "LH" or " RH" would be only suitable for the relative shower enclosure.

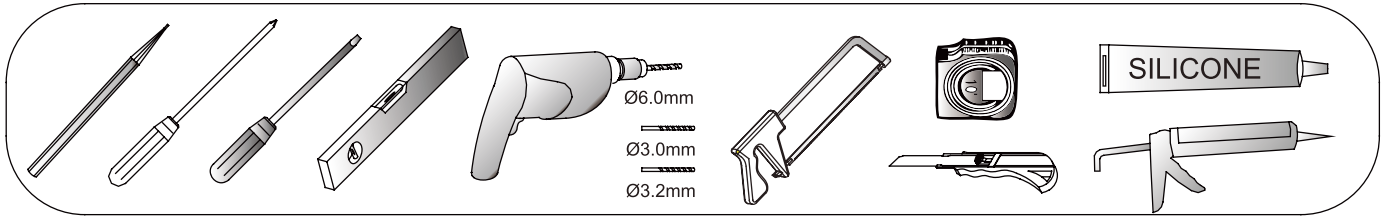
- The wall fixings supplied may not be suitable for your installation. You may need to source alternatives depending on the construction of the wall you are fixing to.
- Follow each step in turn.

Care and Cleaning:

- Do not use solvents or abrasive material or chemicals to clean the enclosure.
- Only clean using soapy water and a soft cloth, rinse thoroughly afterwards.

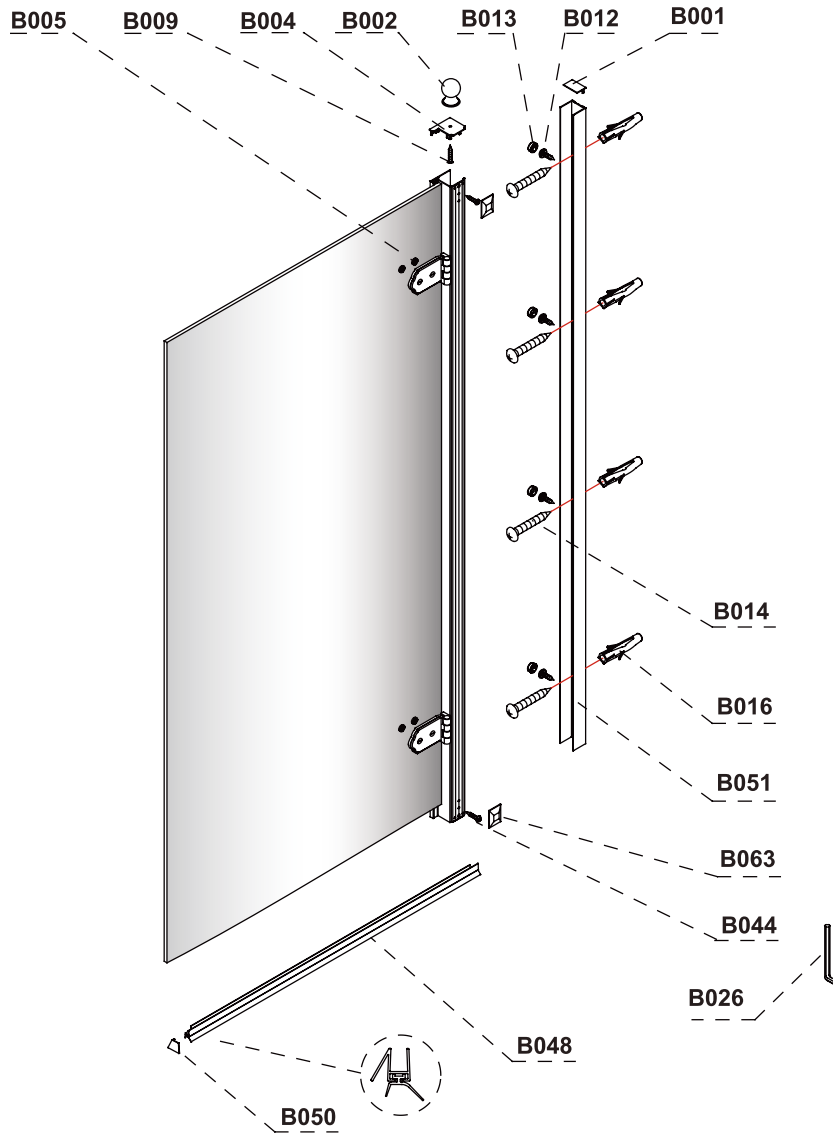


Tools required:



Parts supplied:

Bath screen



B001 1x	B012 4x ST3.5*10mm	B013 4x	B063 2x	B002 1x	B003 1x LH
B004 1x RH	B009 1x ST3.5*16mm	B044 2x ST4*12mm	B005 4x	B049 1x LH	B050 1x RH
B048 1x	B051 1x	B016 4x	B014 4x ST4*50mm	B026 1x 4mm	

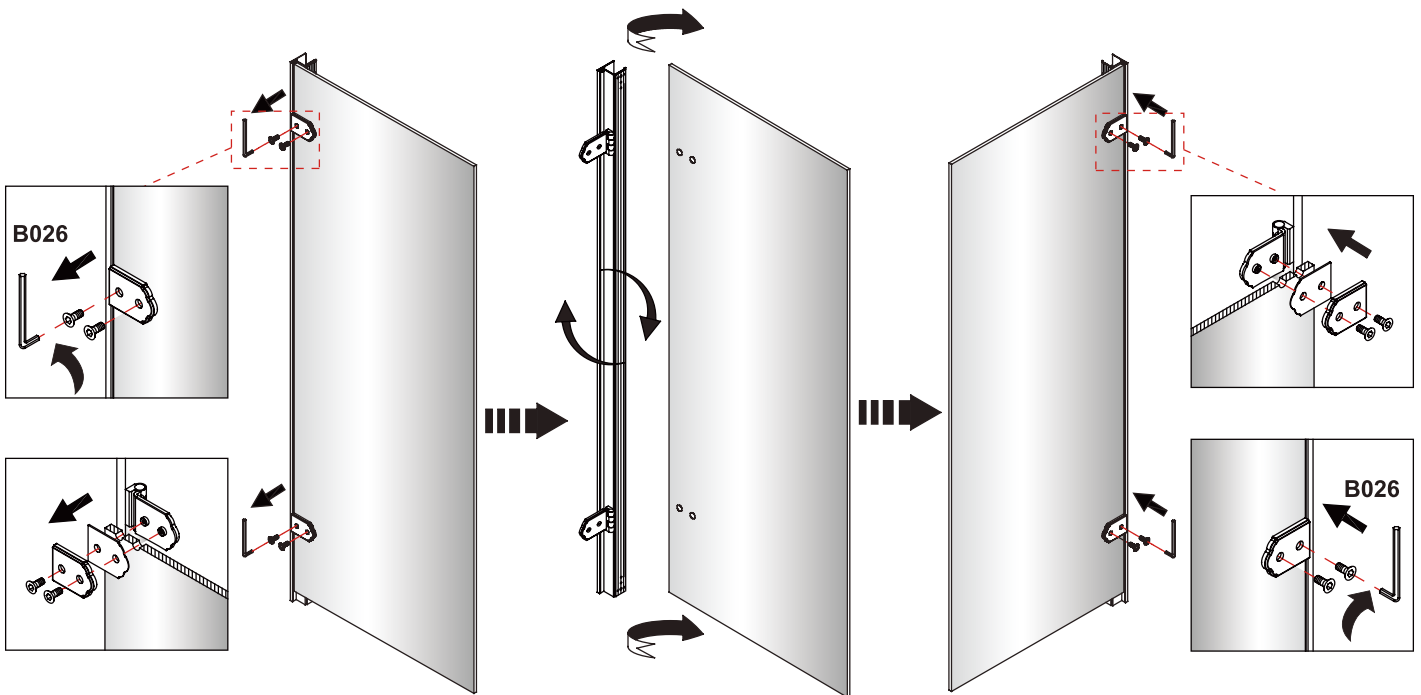


The bath screen is supplied for Right Handed installation. For Left Handed installation please loosen the hinges and reverse the glass as shown below.

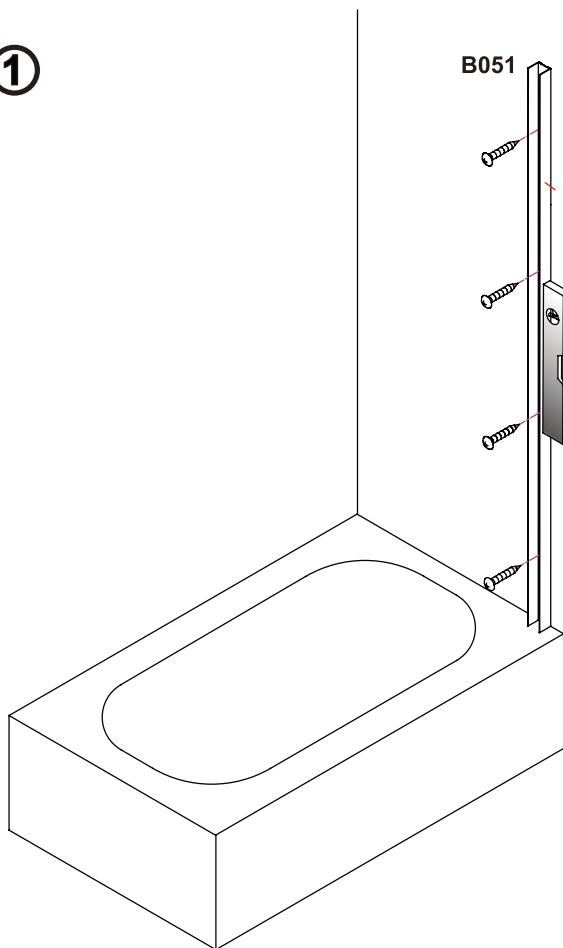
Right Hand



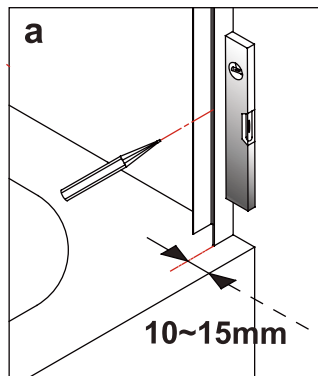
Left Hand



①

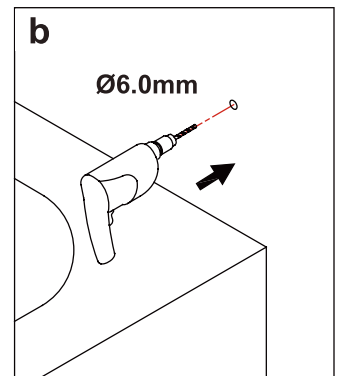


B051



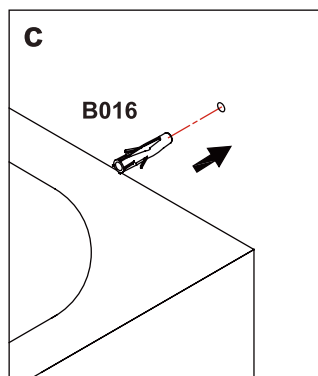
a

10~15mm



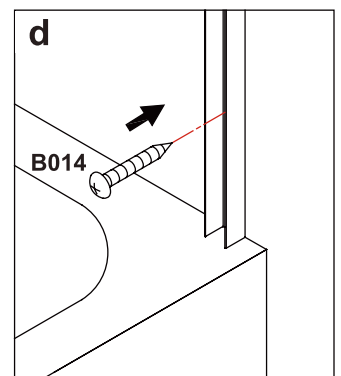
b

Ø6.0mm



c

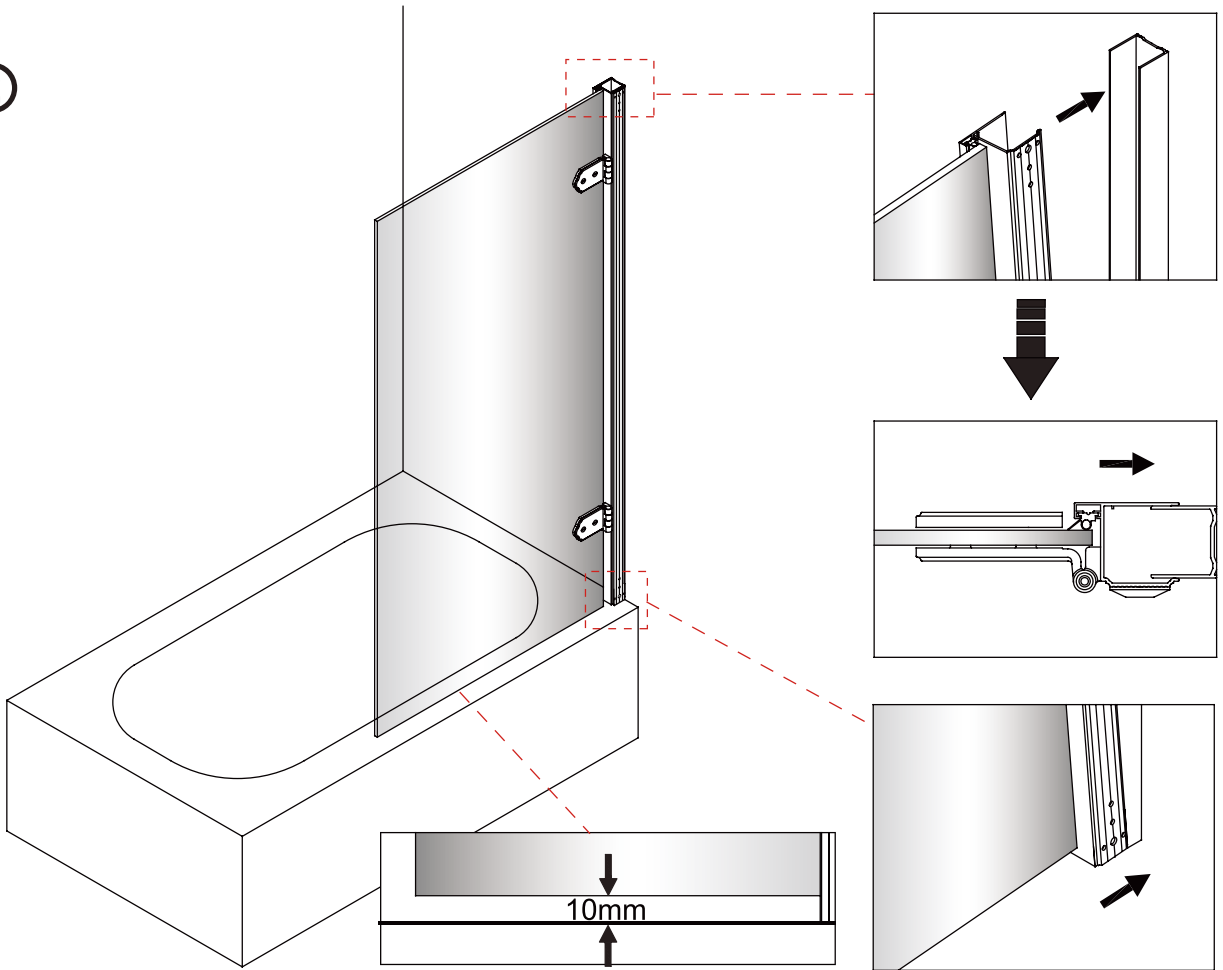
B016



d

B014

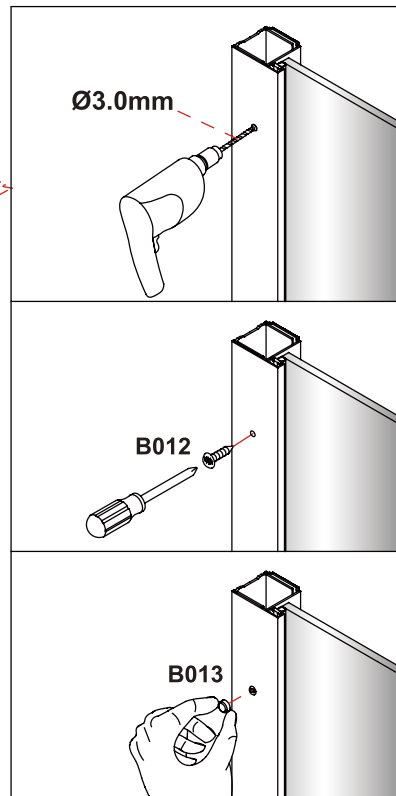
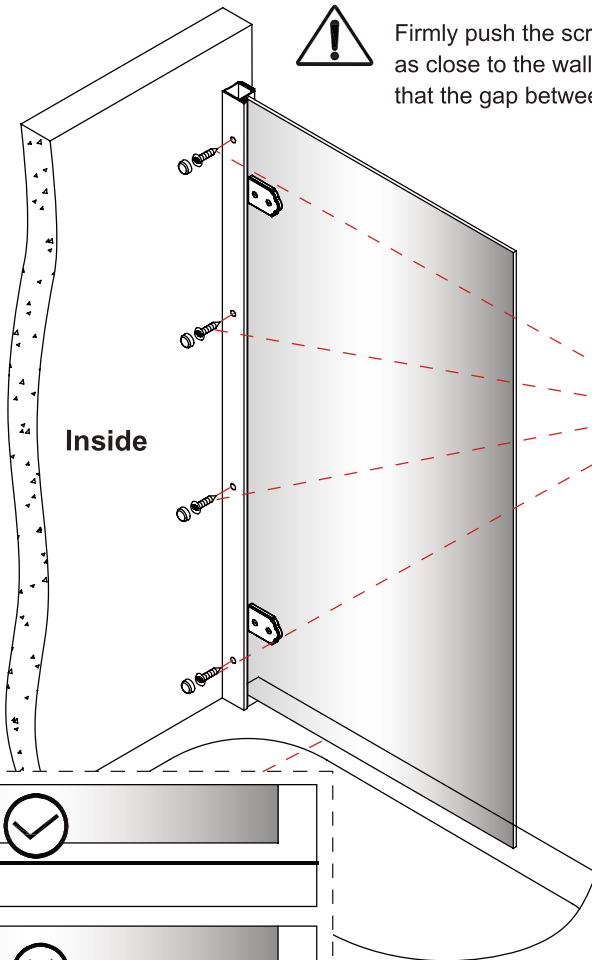
②



③

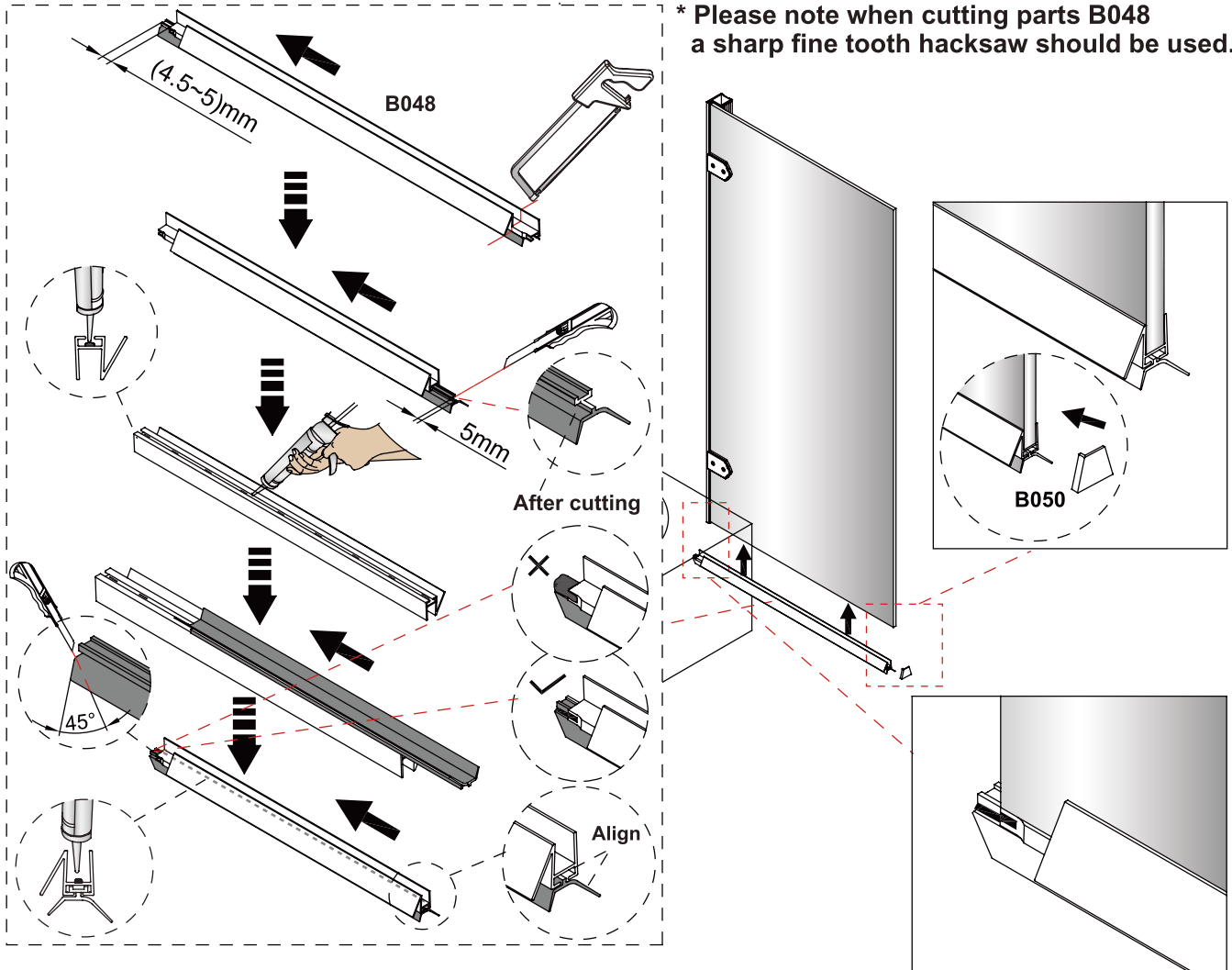


Firmly push the screen profile onto the wall profile, ensure the screen profile is as close to the wall as possible. Before securing the screen to the profile ensure that the gap between the screen and the bath is equal along its whole length.

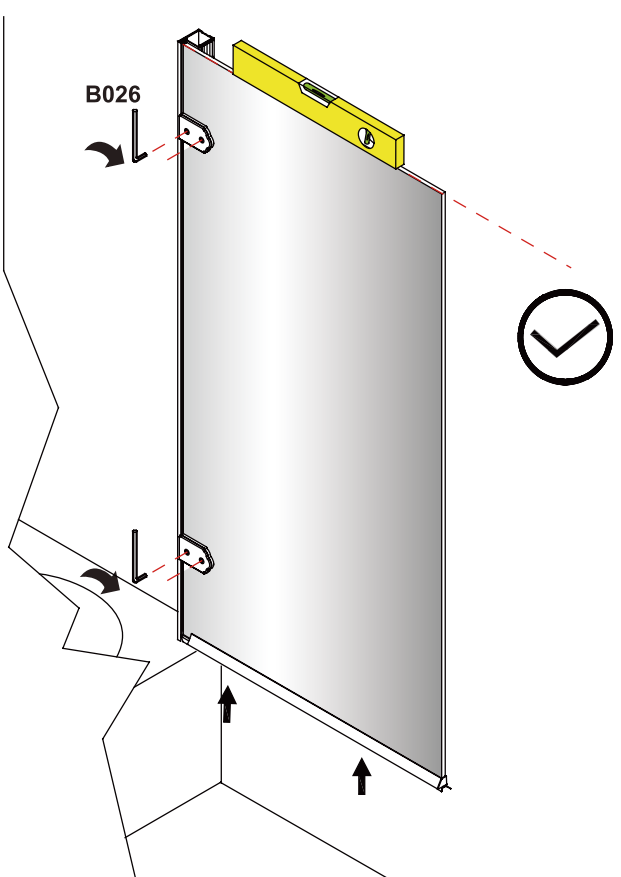
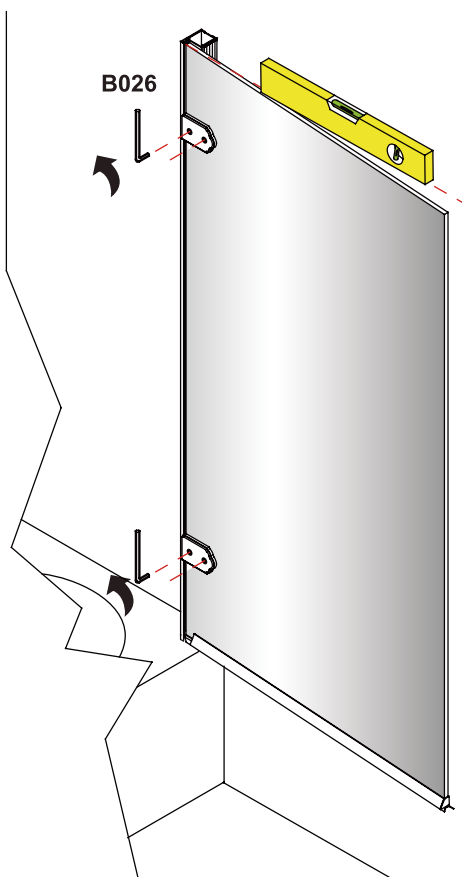


④

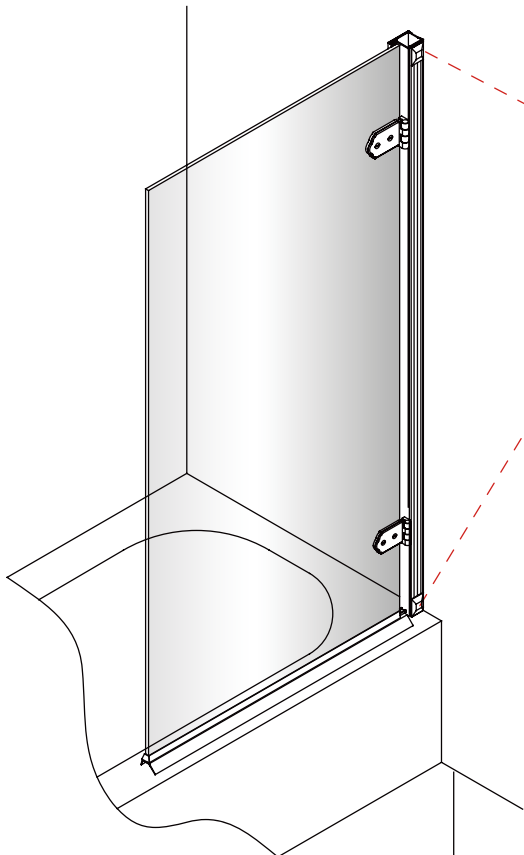
* Please note when cutting parts B048 a sharp fine tooth hacksaw should be used.



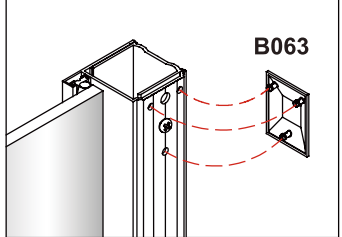
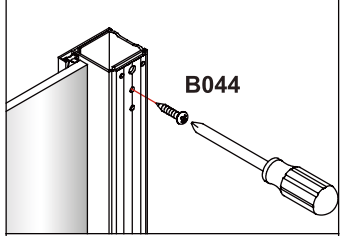
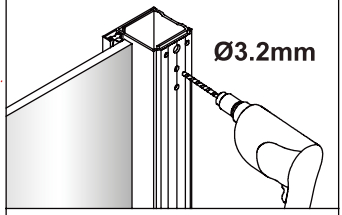
⚠ Only if adjustment is required.



5



Drill frame through profile wall.



6

