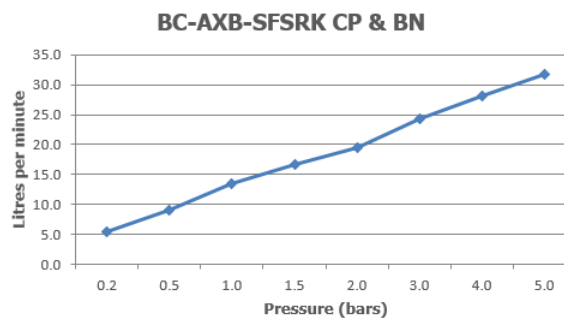


SPECIFICATION SHEET

COLLECTION: AXBRIDGE
PRODUCT CODE: BC-AXB-SFSRK-BN



SHOWER TYPE

Slide Rail Shower Kit

SELF-CLEANING

No

WITH CROSS-SPRAY TECHNOLOGY

No

ADJUSTABLE FIXING FOR EASY RETRO FIT

No

WITH TWIST CONTROL

No

WITH PUSH BUTTON CONTROL

No

WITH HOSE RETAINER

No

RUB-CLEAN NOZZLES

No

WITH AIR-INJECTION TECHNOLOGY

No

tel: 01934 744466
email: sales@vado.com
www.vado.com

WHERE INSPIRATION FLOWS
TAPS | SHOWERS | ACCESSORIES



SPECIFICATION SHEET

COLLECTION: AXBRIDGE
PRODUCT CODE: BC-AXB-SFSRK-BN

HOSE

with 150cm hose

STYLE

Traditional

MOUNTING

Wall Mounted

PLUMBING SYSTEM SUITABILITY

Gravity System, Pumped System, Combination Boiler, Pressurised System

COLLECTION NAME

Axbridge

FINISH

Bright Nickel

MINIMUM OPERATING PRESSURE

0.2 Bar LP

GUARANTEE

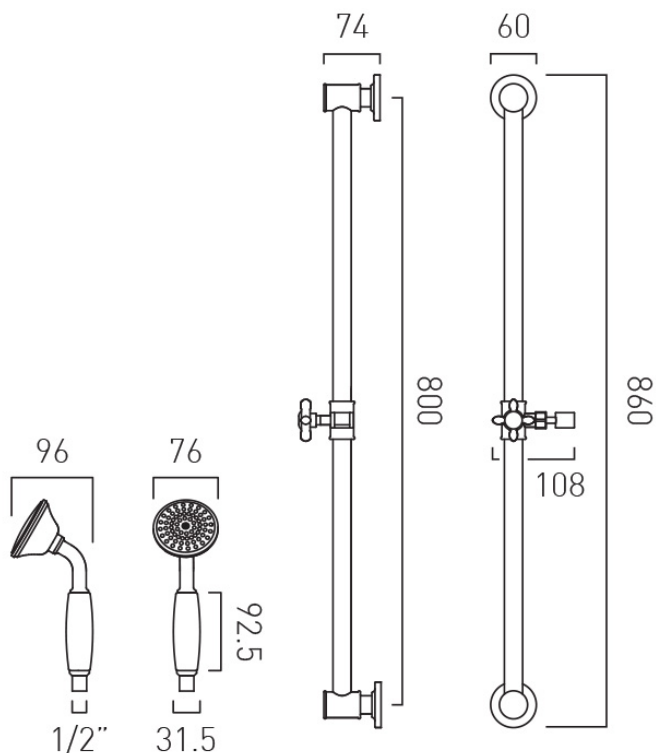
15 Year Guarantee



TECHNICAL DRAWING

COLLECTION: AXBRIDGE

PRODUCT CODE: BC-AXB-SFSRK-BN



tel: 01934 744466
email: sales@vado.com
www.vado.com

WHERE INSPIRATION FLOWS
TAPS | SHOWERS | ACCESSORIES

