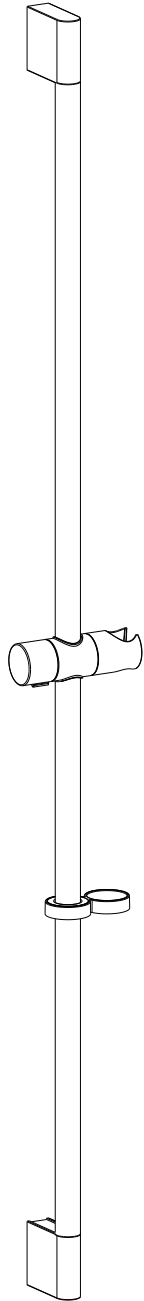


Shower Kits - Wall mounted



INSTALLATION INSTRUCTIONS

- SK980C
- SK981C
- SK983C
- SK984C
- SK985C

IMPORTANT - Please read before installation

Please read these instructions carefully before starting installation and keep in a safe place for future reference.

Check the contents of the pack carefully before installation. Crosswater will not be held responsible for any de-fit / re-fit costs where faulty product has been fitted. If any fault is found with materials or workmanship, it must be reported immediately to the manufacturer.

We do not accept responsibility for any problems that may occur through incorrect installation.

The success of the installation is, of course, dependant on the alignment and construction of the walls to which fixing is to be carried out.

Warning!

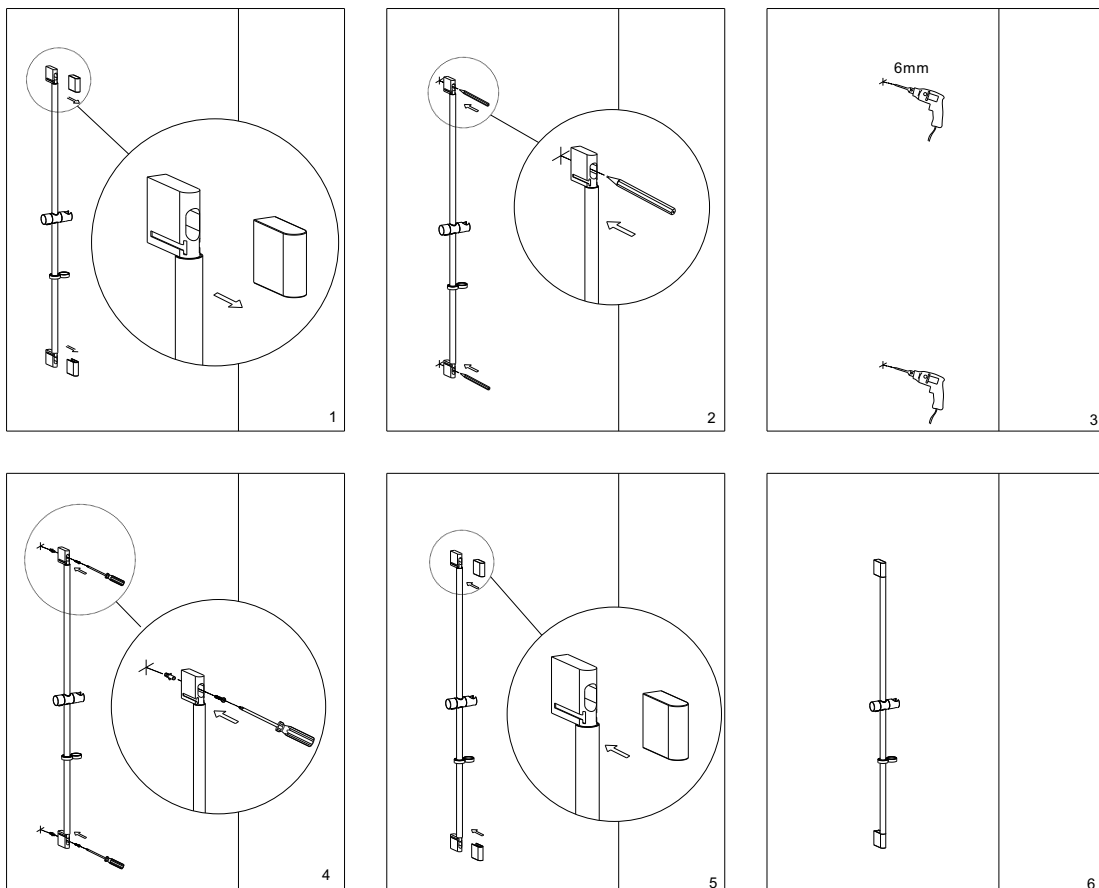
Please check for any hidden pipes or cables before drilling holes in the wall.

When using power tools always follow the manufacturers user instructions.

TOOLS and equipment needed

Drill, 6mm Masonry drill bit, Cross-head screwdriver, Spirit level, Pencil.

INSTALLATION



CARE AND CLEANING

Do not use solvents or abrasive material or chemicals to clean the shower rail. Only clean using soapy water and a soft cloth, rinse thoroughly afterwards.