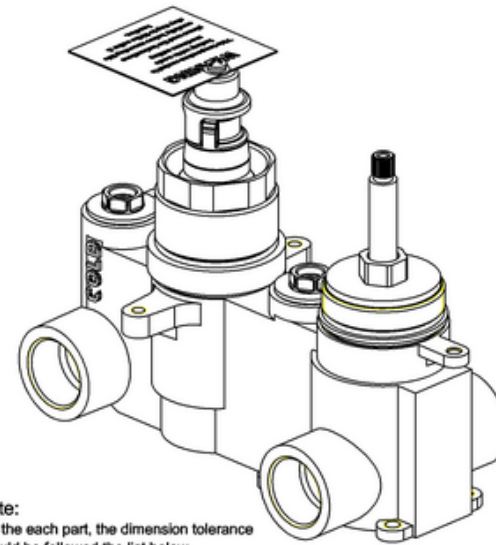
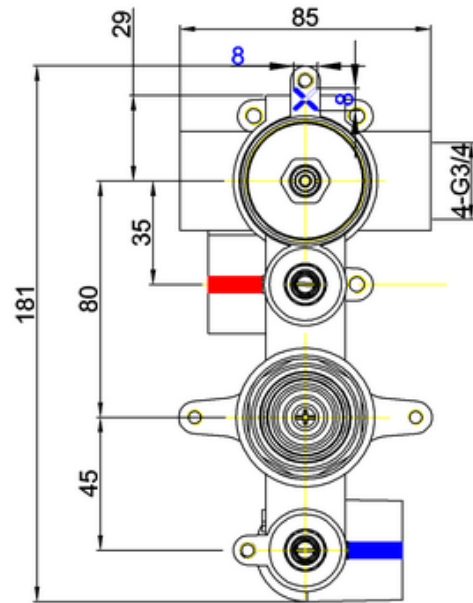
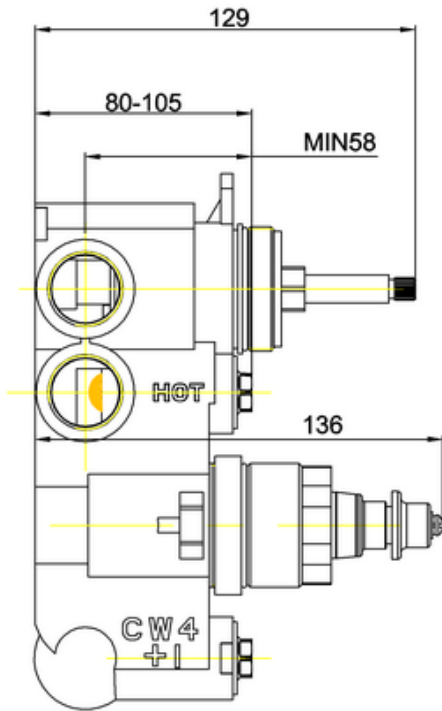


# WLBP1500R+ - 1500 Thermostatic Valve Rough



**Note:**

For the each part, the dimension tolerance should be followed the list below.

|         |           |           |       |
|---------|-----------|-----------|-------|
| 0 - 100 | 101 - 200 | 201 - 400 | ≥ 401 |
| ±1      | ±2        | ±3        | ±5    |

For the finished assembly, the dimension tolerance should be followed the list below.

|         |       |
|---------|-------|
| 0 - 300 | ≥ 301 |
| ±2      | ±5    |

