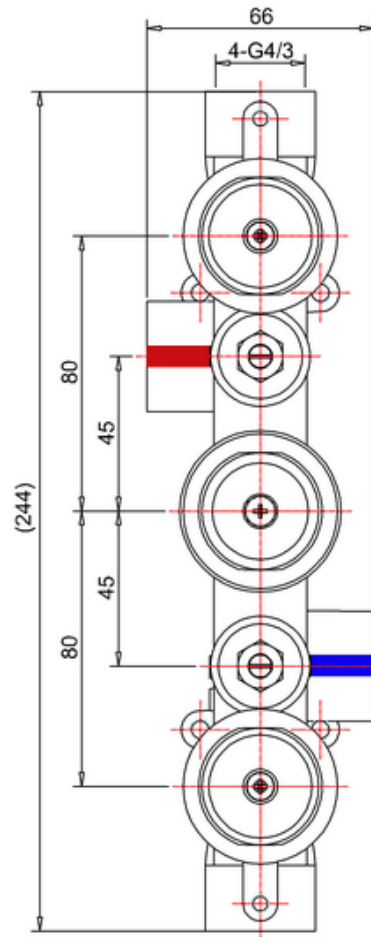
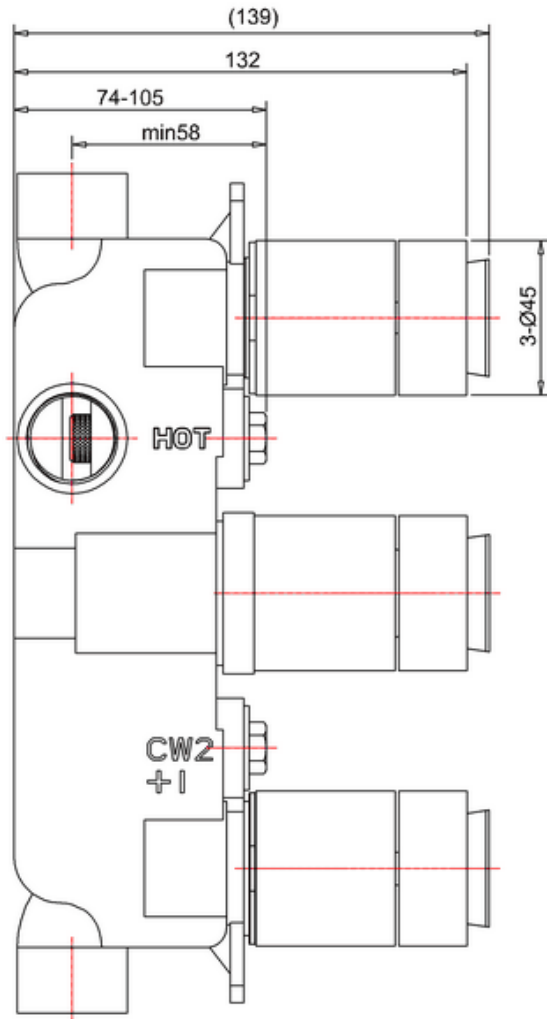


# WLBP2000RC+ - Thermo Shower Valve no Levers & Backplate



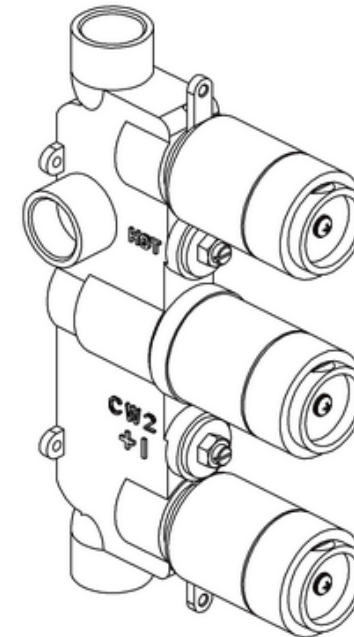
**Note:**

For each part of the accessory, the dimension tolerance should be followed the list below.

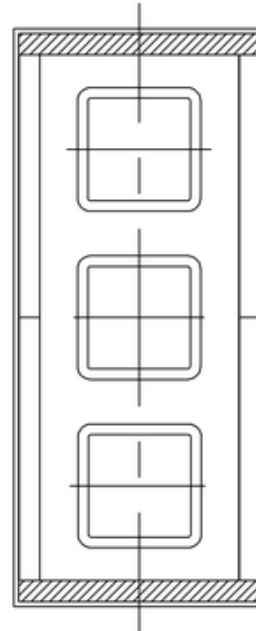
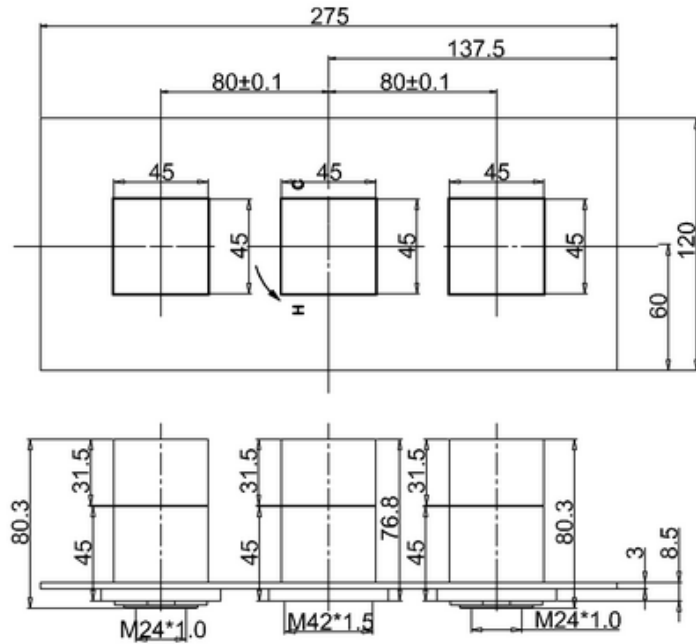
0 ~ 100	101 ~ 200	201 ~ 400	≥ 401
±1	±2	±3	±5

For the finished assembly, the dimension tolerance should be followed the list below.

0 ~ 300	≥ 301
±2	±5



# WS2000LBPC - WATERSQUARE 2000 Square thermo trim set



**Note:**

For the each part, the dimension tolerance should be followed the list below.

0 - 100	101 - 200	201 - 400	≥401
±1	±2	±3	±5

For the finished assembly, the dimension tolerance should be followed the list below.

0 - 300	≥301
±2	±5