

Completion Concealed Box

Mounting Instructions

Pressure range min/max 0,5/5 bar

(in case of water pressure higher than 5 bar we recommend installing pressure reducers).

Recommended pressure 3 bar.

Operation:

Either with gas or electric accumulation boilers.

Centralised systems.

Safety lock at: 41° C

Min. Working temperature: 3° C

Min. recommended: 15° C

Max. Working temperature: 70° C

Max. recommended: 65° C

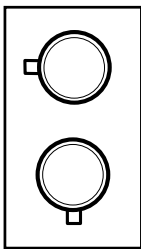
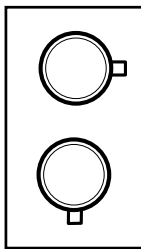
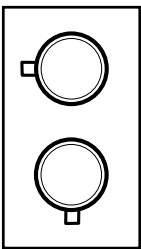
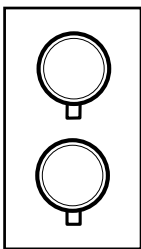
Recommended thermal differential 50° C

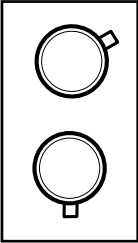
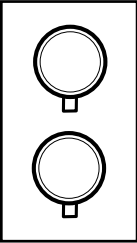
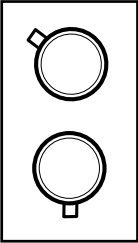
Thermal disinfection is allowed.

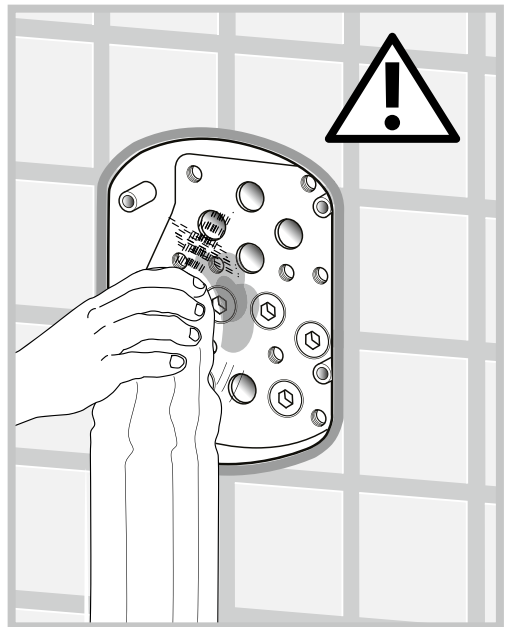
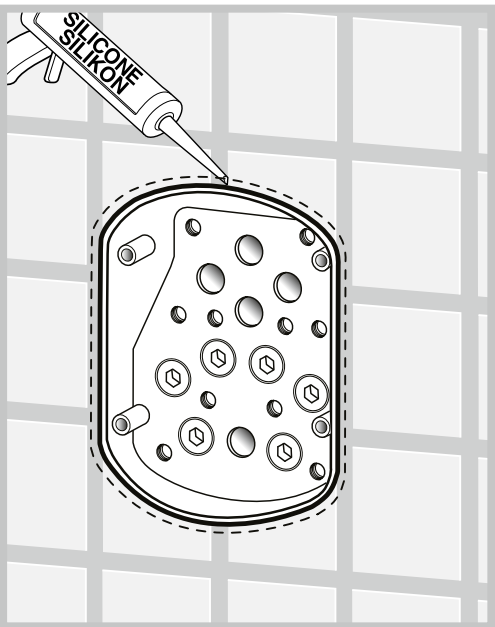
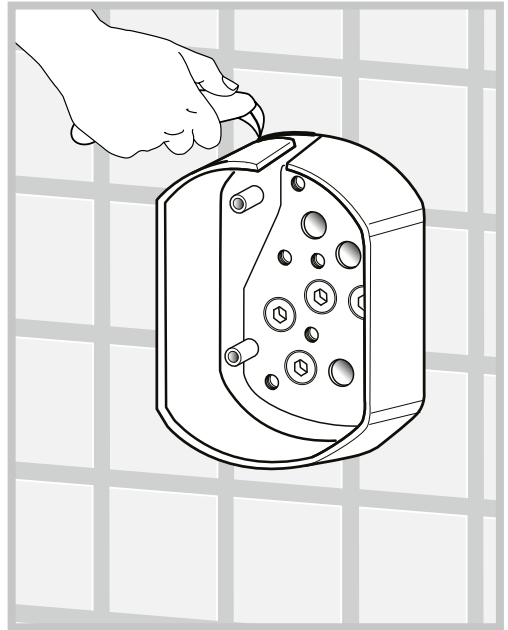
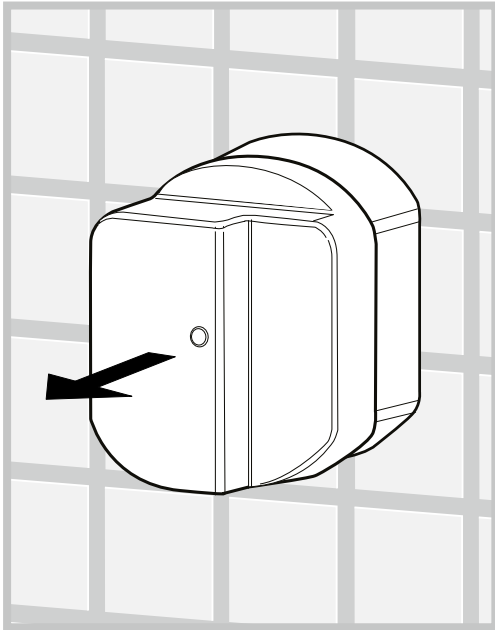
Safety system with flow stop in case of lack of one of the two waters.

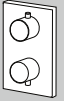
Warning: contact the plumber for the choice of the best water heating device.

| | |
|---------------|----------------------------|
| Press. | FLOW RATE (L/min) |
|---------------|----------------------------|

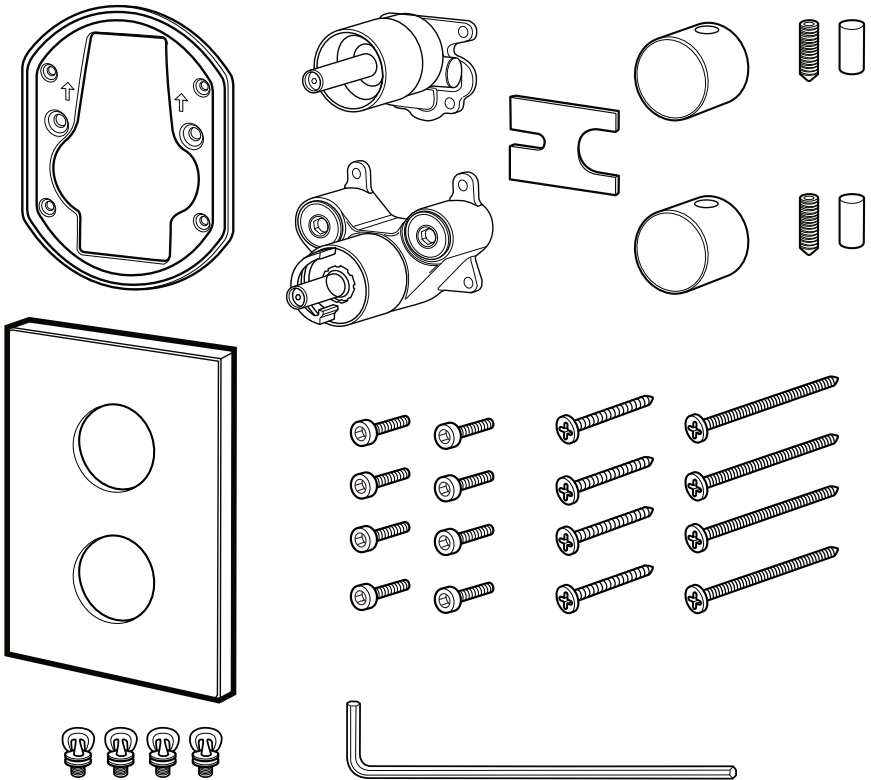
| bar | Term. 1 way | Term. 2 way | | |
|-----|---|---|---|---|
| |  Exit 1/2/3 |  Exit 2 |  Exit 3 |  Mix |
| 0,5 | 8,2 | 8,2 | 8,2 | 9,2 |
| 1 | 11,7 | 11,7 | 11,7 | 13,2 |
| 2 | 16,7 | 16,4 | 16,4 | 18,7 |
| 3 | 20,7 | 20 | 20 | 22,9 |
| 4 | 24 | 23 | 23 | 26,4 |
| 5 | 26,6 | 25,8 | 25,8 | 29,5 |

| Press. | FLOW RATE (L/min) | | | |
|---------------------|--|--|--|-------------|
| Term. 3 ways | | | | |
| |  Exit 1 |  Exit 2 |  Exit 3 | |
| | bar | 9,4 | 8,1 | 8,1 |
| | 0,5 | 13,4 | 11,6 | 11,6 |
| | 1 | 19,2 | 16,6 | 16,6 |
| | 2 | 23,7 | 20,5 | 20,5 |
| | 3 | 27,4 | 23,8 | 23,8 |
| | 4 | 30,5 | 26,6 | 26,6 |





THERMOSTATIC 1-2-3 WAYS

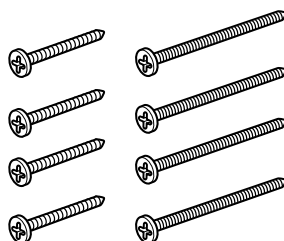
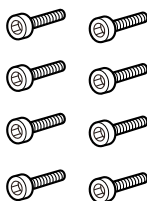
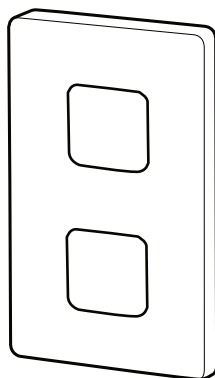
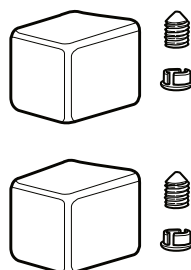
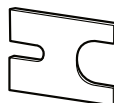
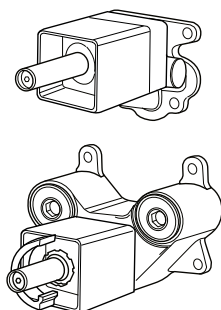
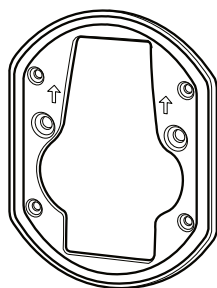


GB Mounting Instructions

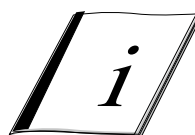




THERMOSTATIC 1-2-3 WAYS

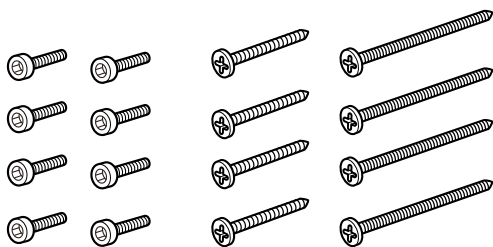
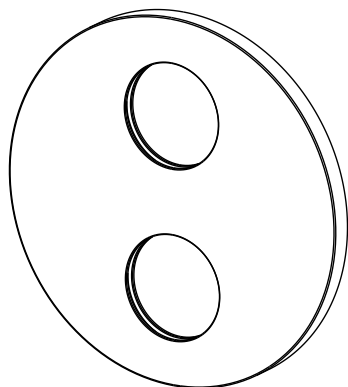
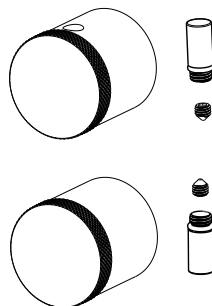
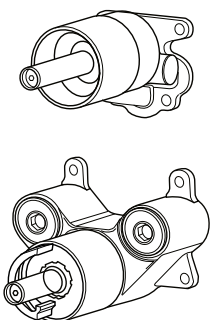
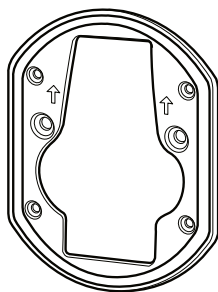


GB Mounting Instructions



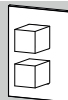


THERMOSTATIC 1-2-3 WAYS

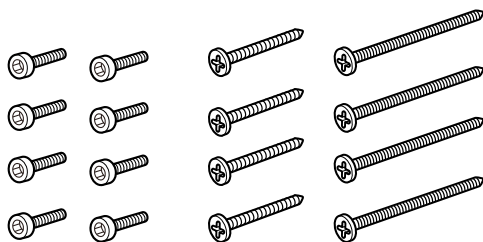
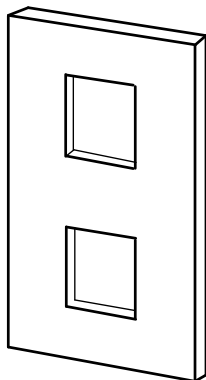
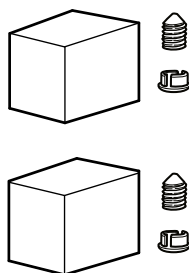
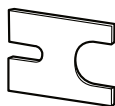
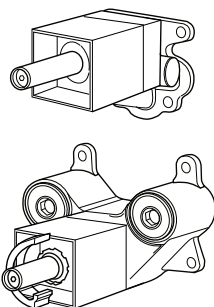
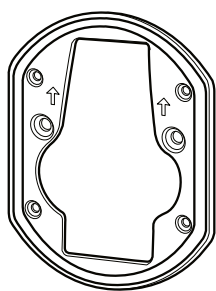


GB Mounting Instructions





THERMOSTATIC 1-2-3 WAYS

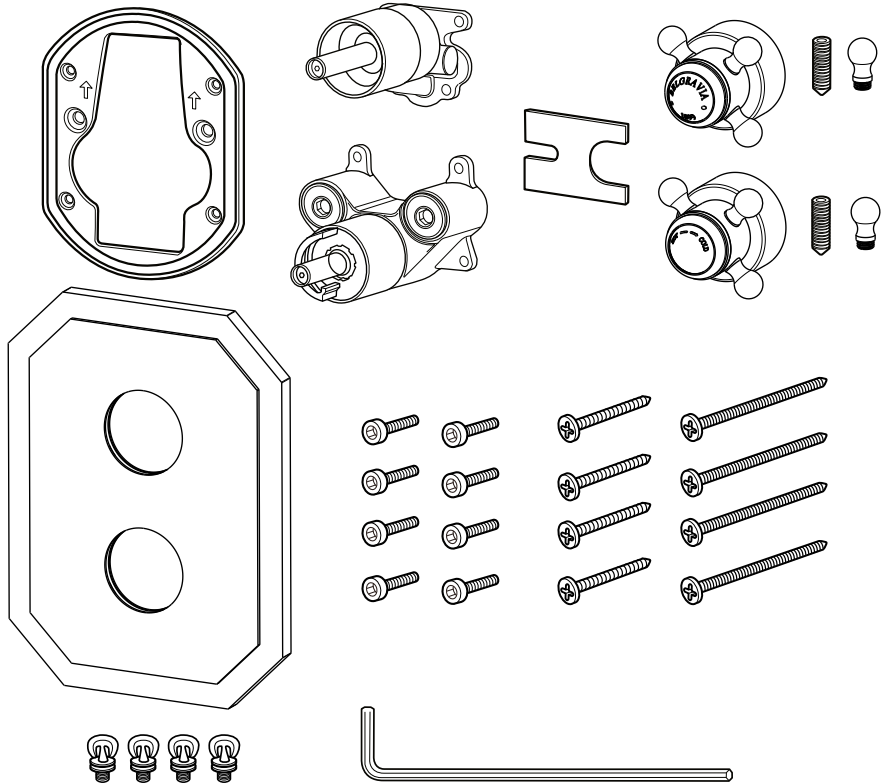


GB Mounting Instructions



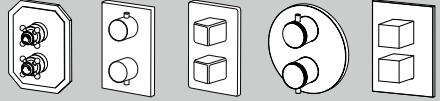


THERMOSTATIC 1-2-3 WAYS

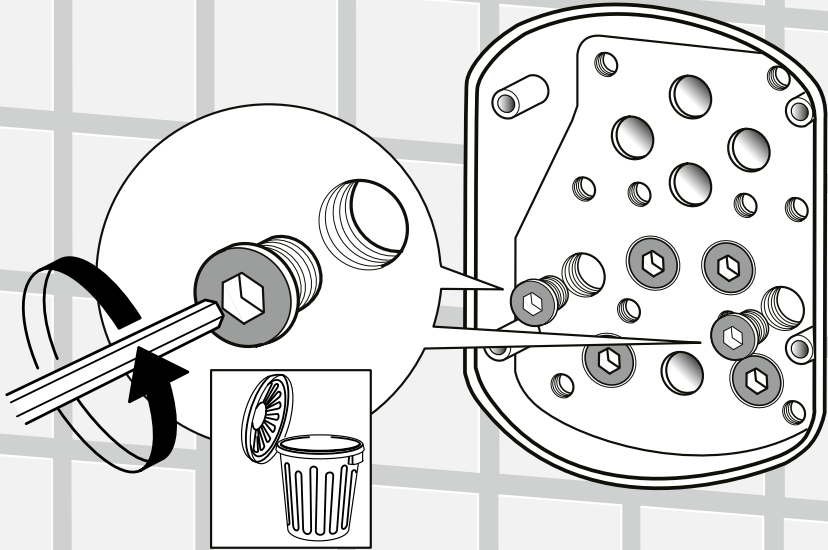


GB Mounting Instructions

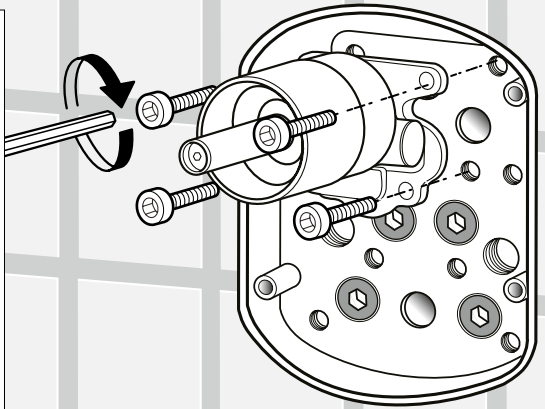
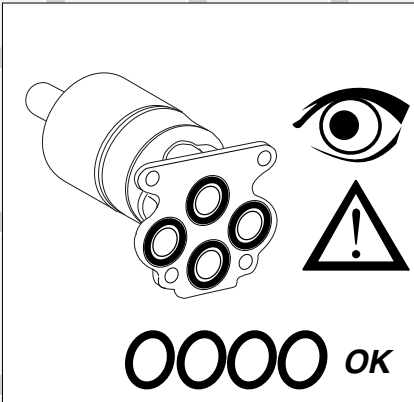


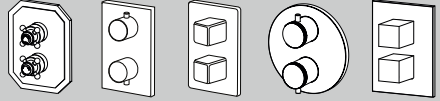


1

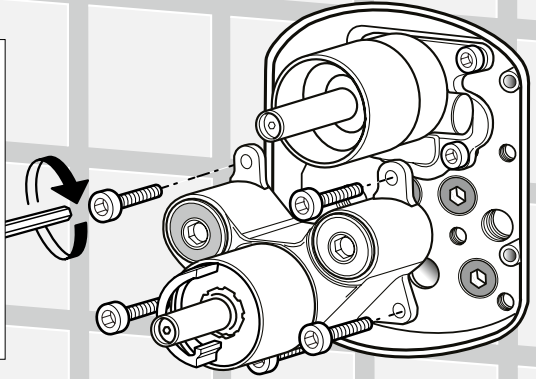
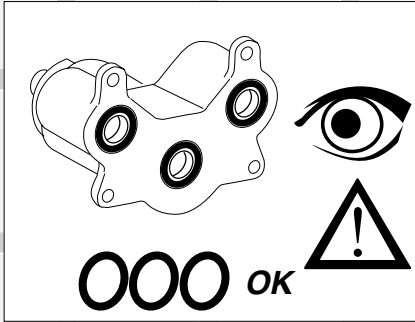


2

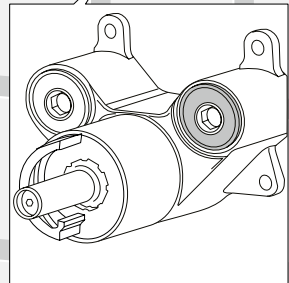
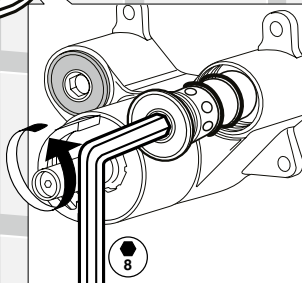
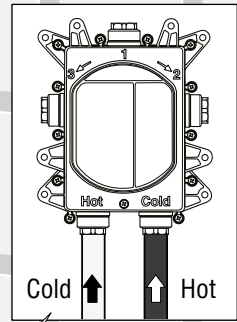
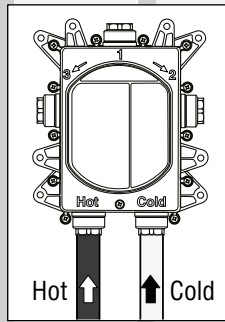
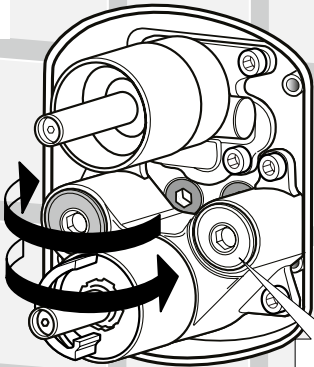


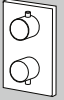


3

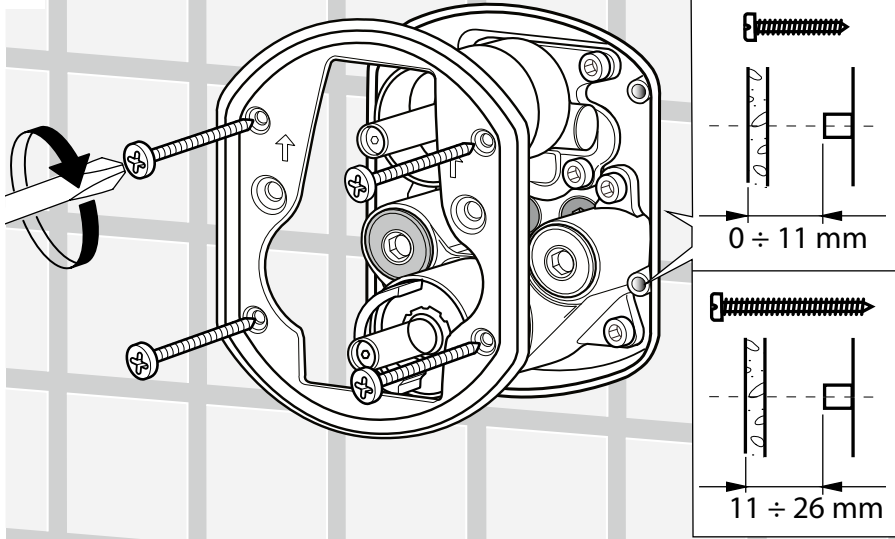


4

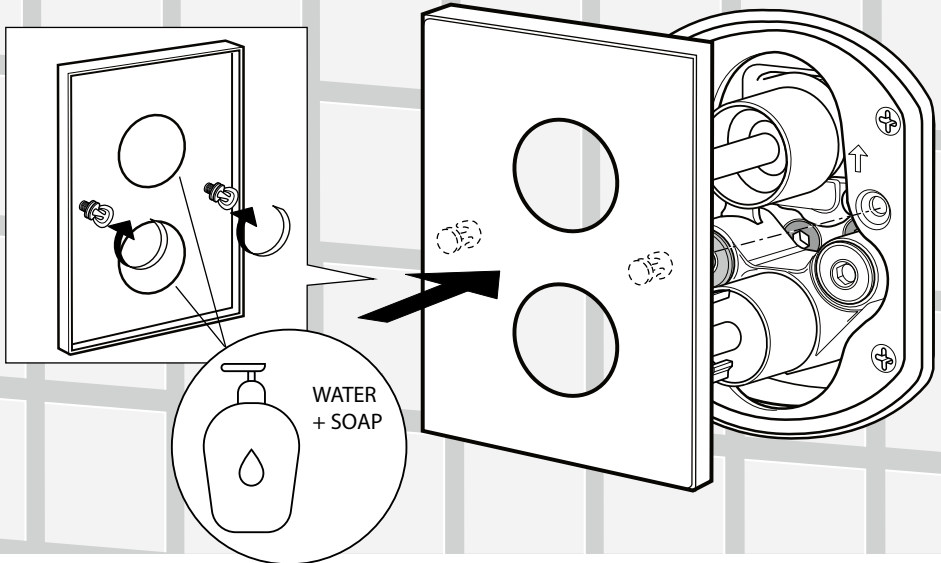


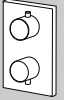


5

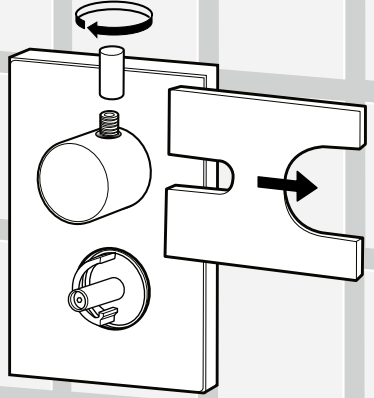
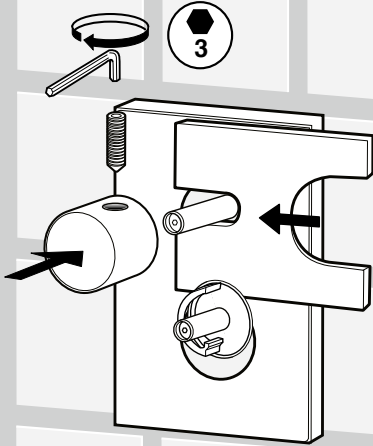


6A

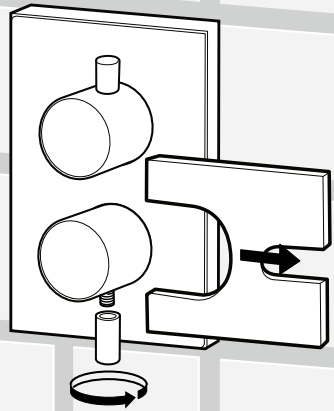
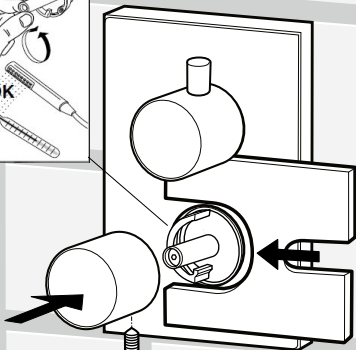


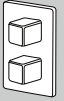


7A

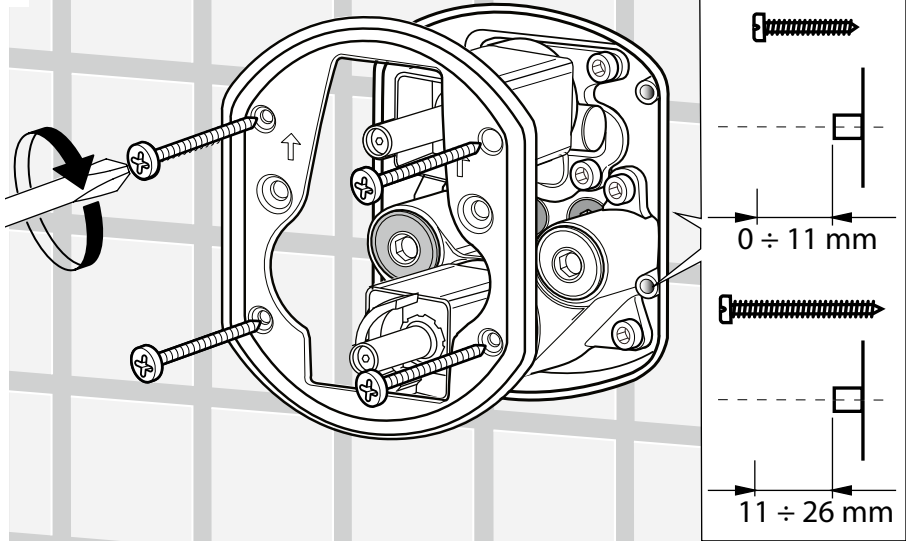


8A

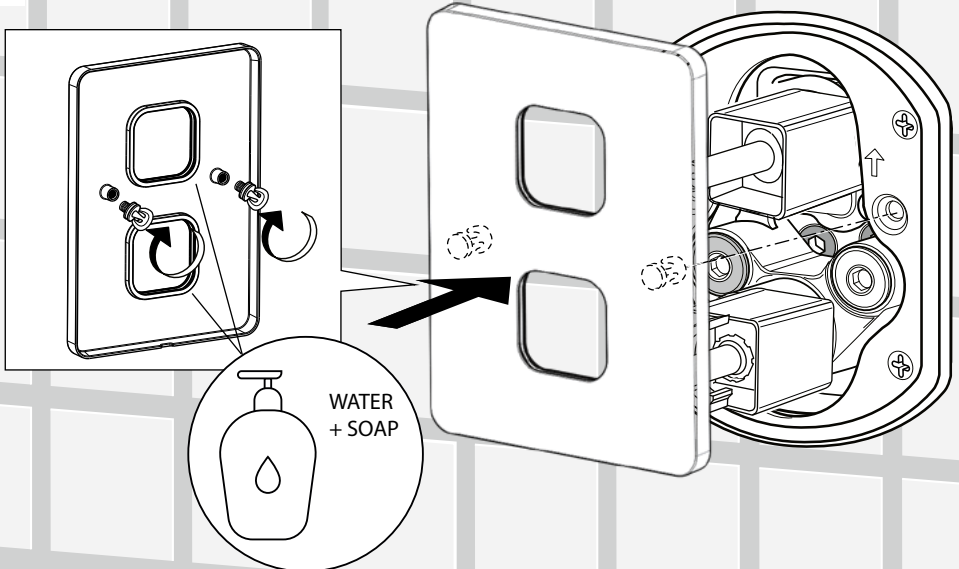


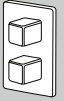


5

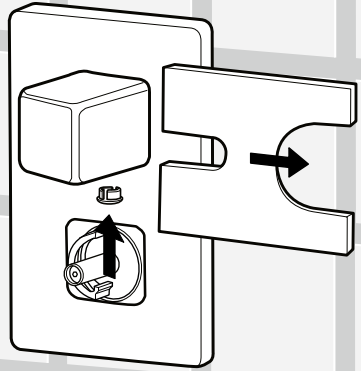
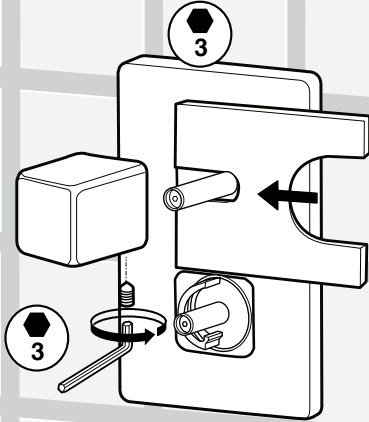


6B

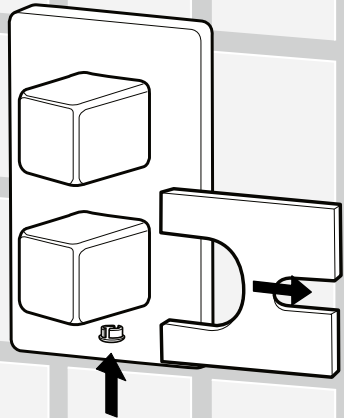
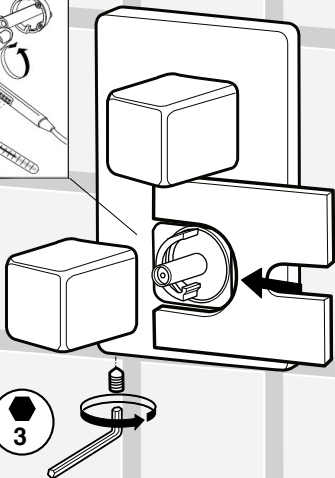




7B

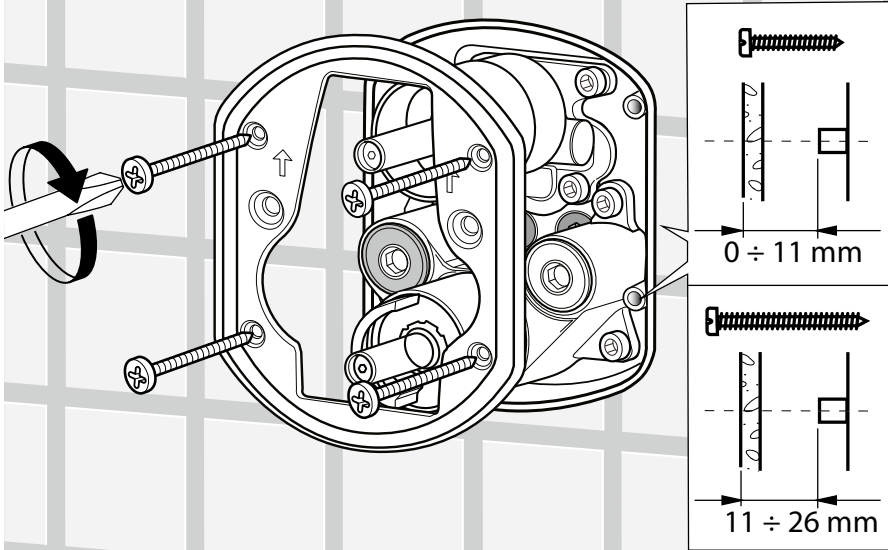


8B

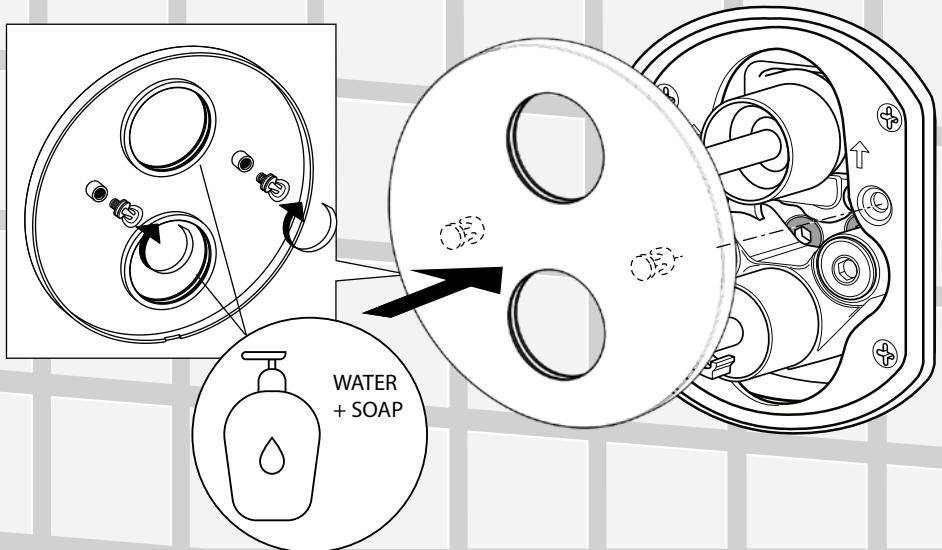




5

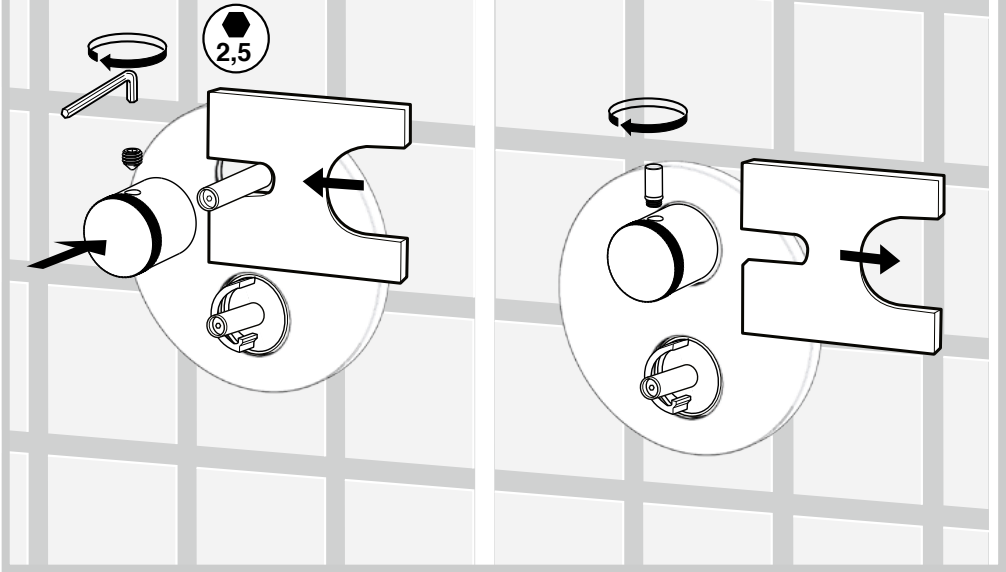


6C

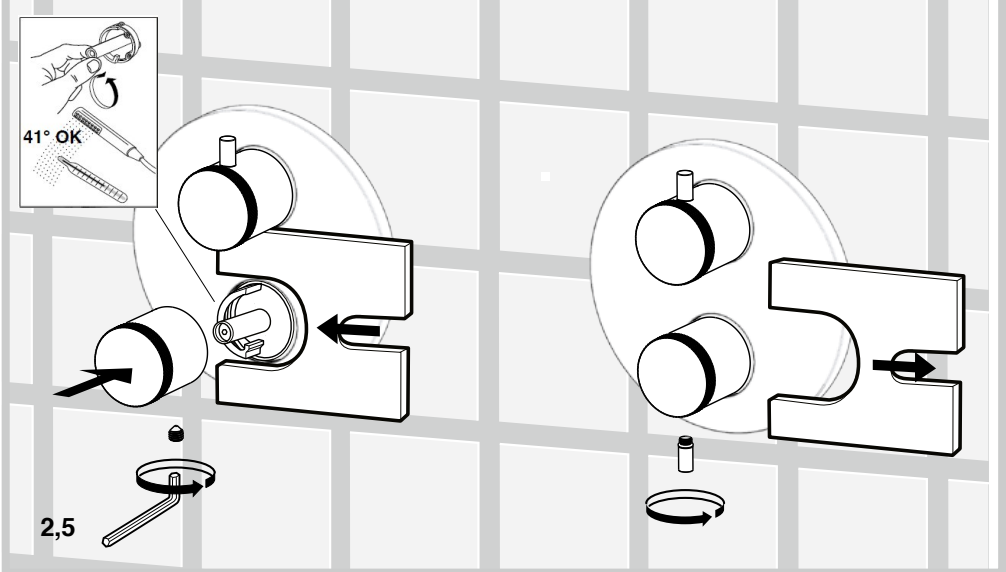


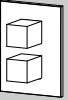


7C

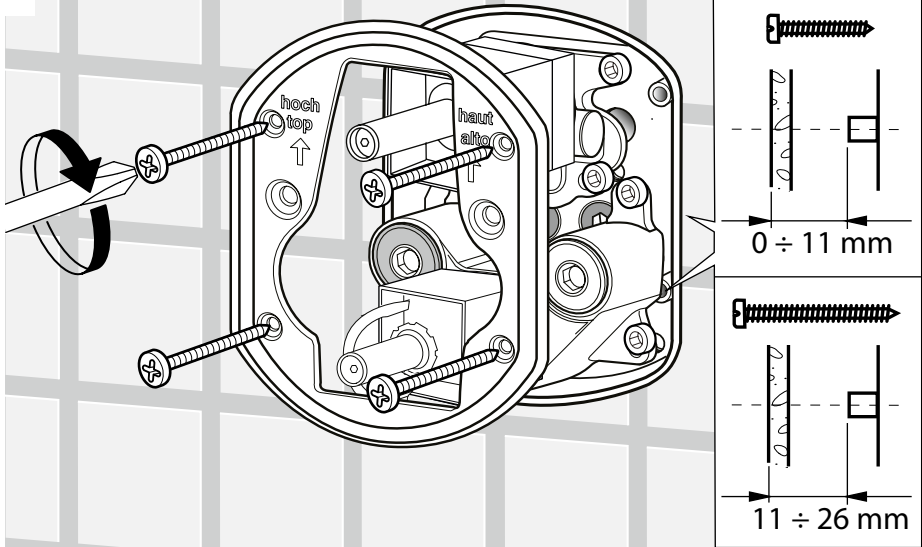


8C

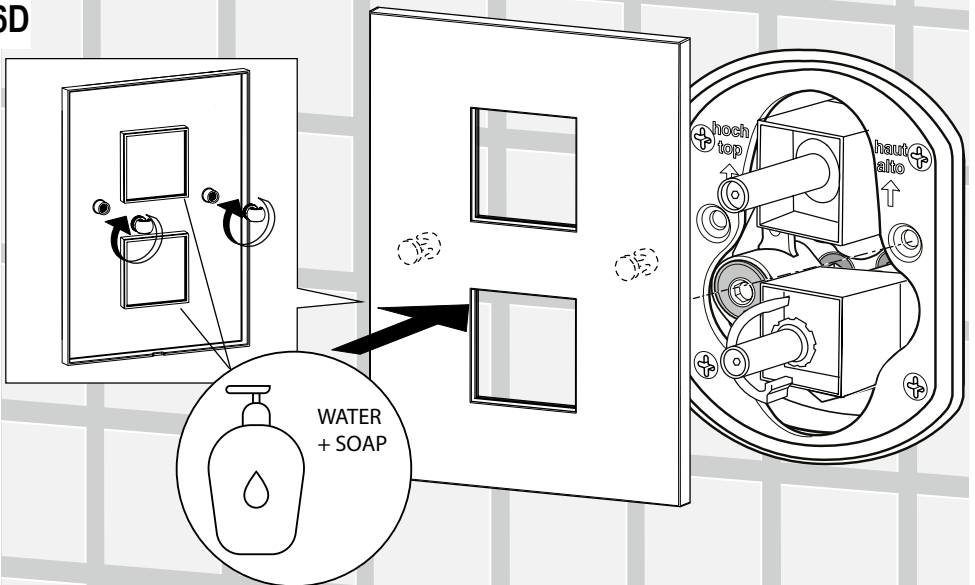


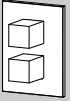


5

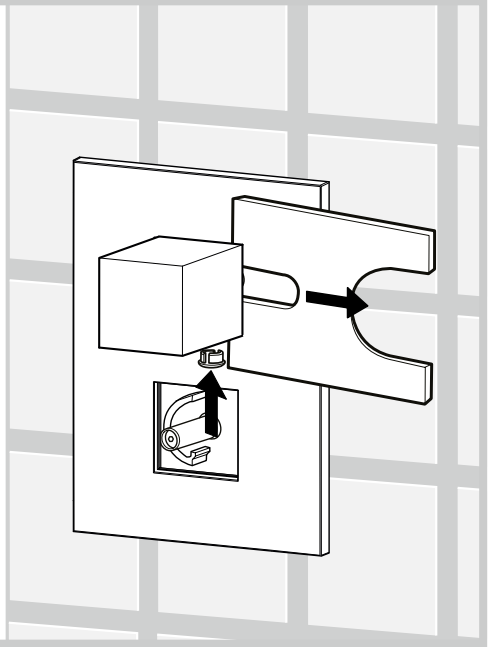
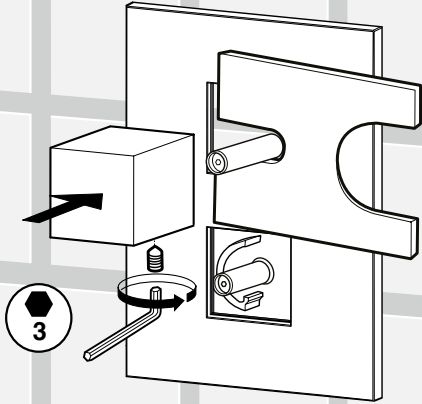


6D

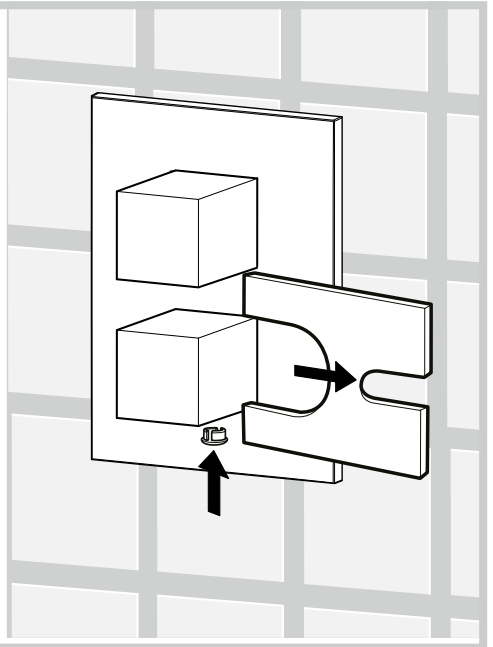
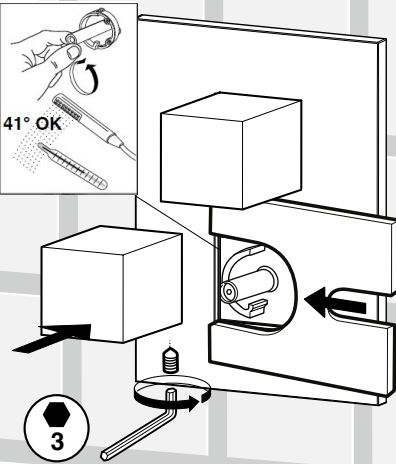




7D

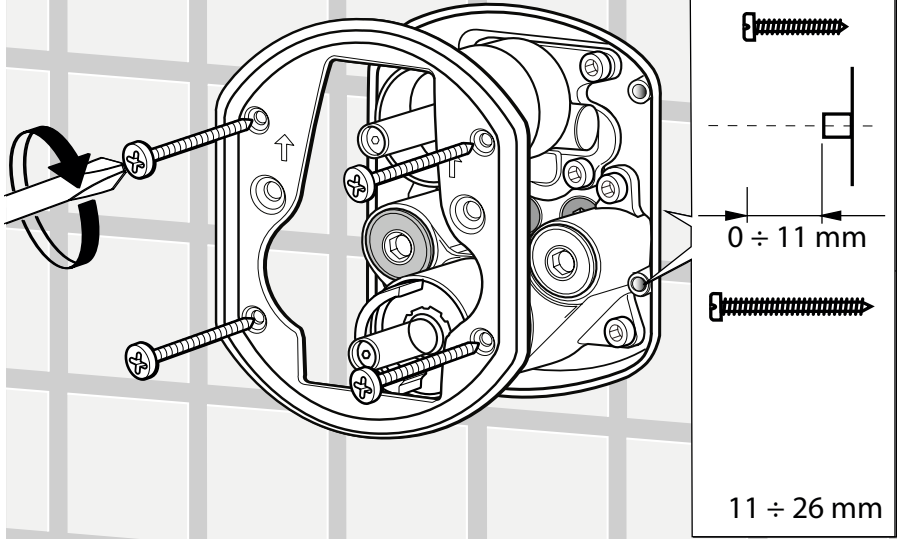


8D

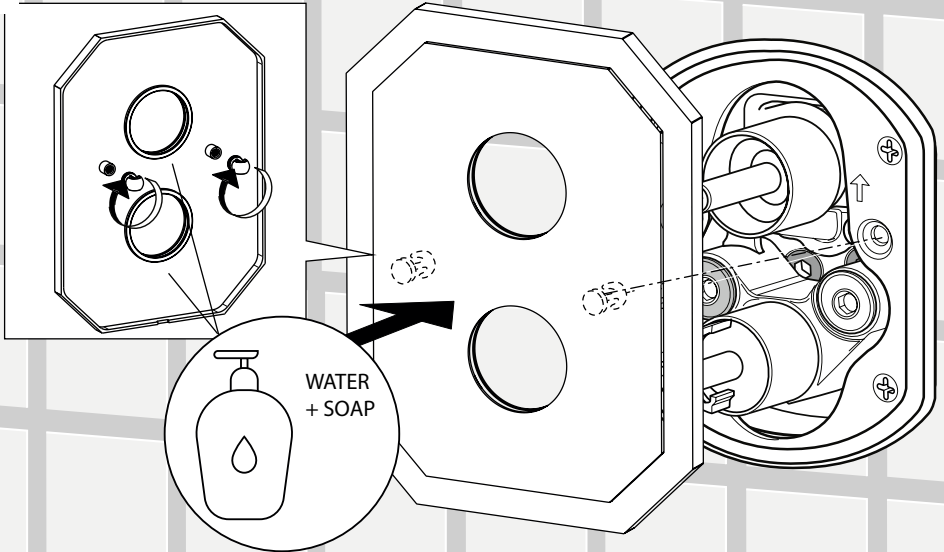




5

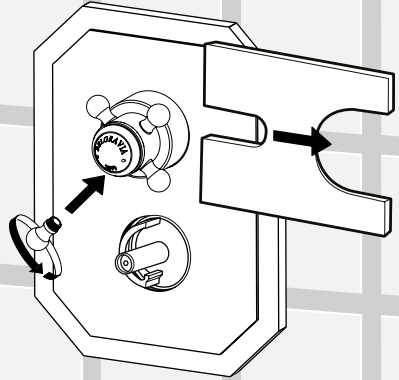
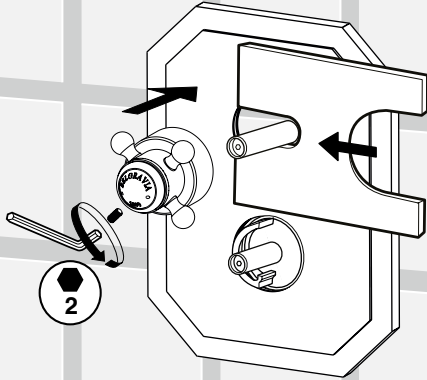


6E

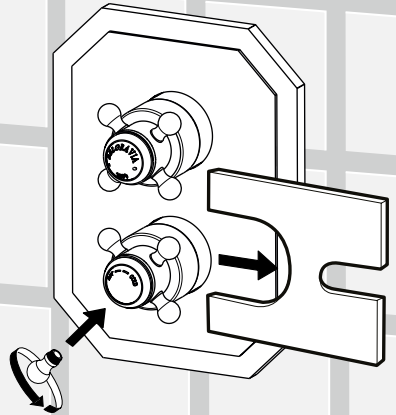
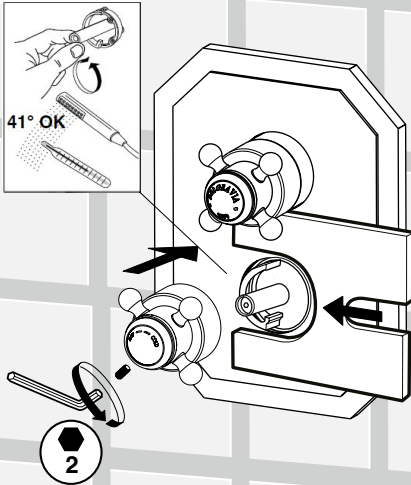


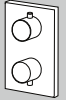


7E

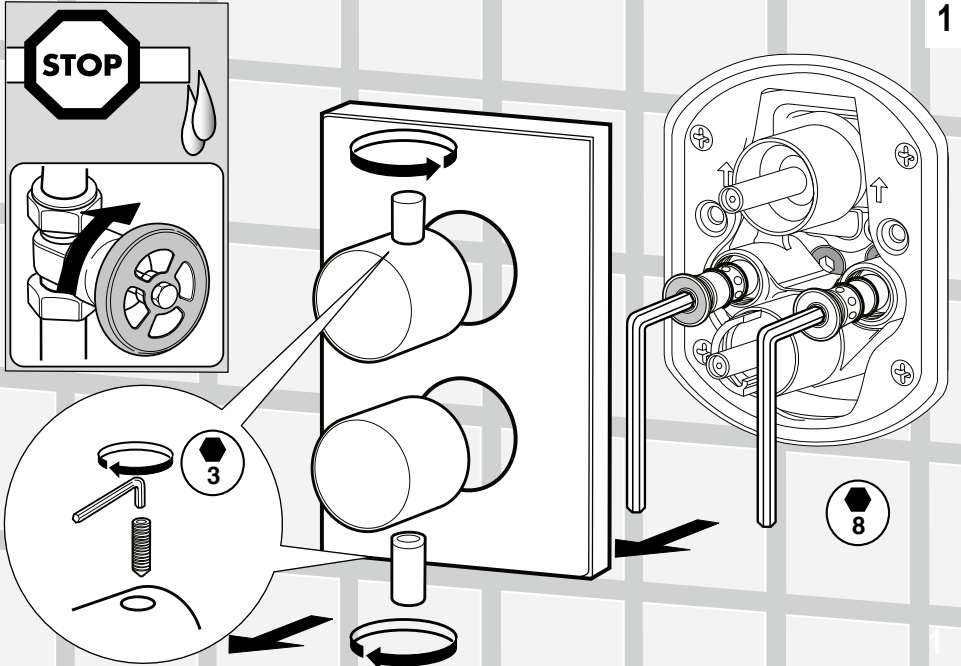


8E

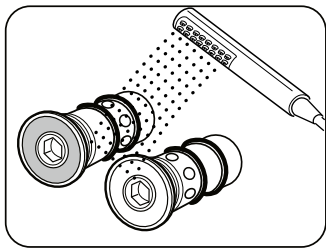
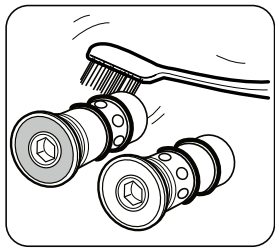
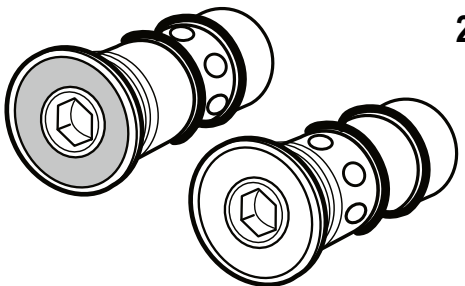
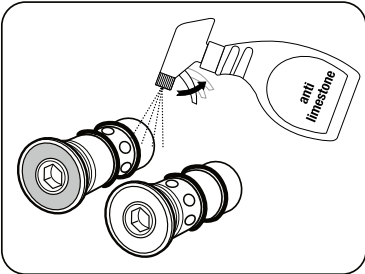


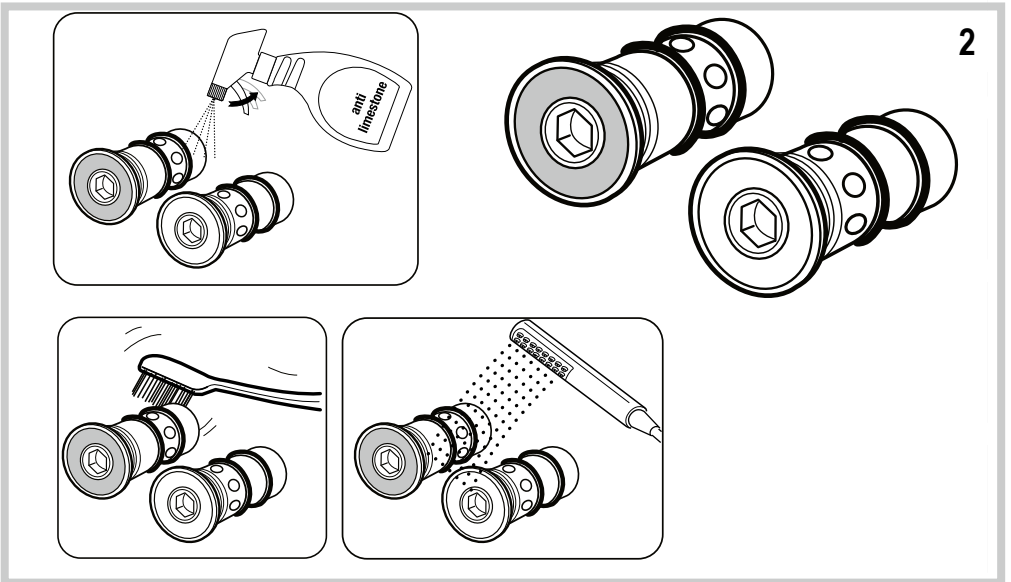
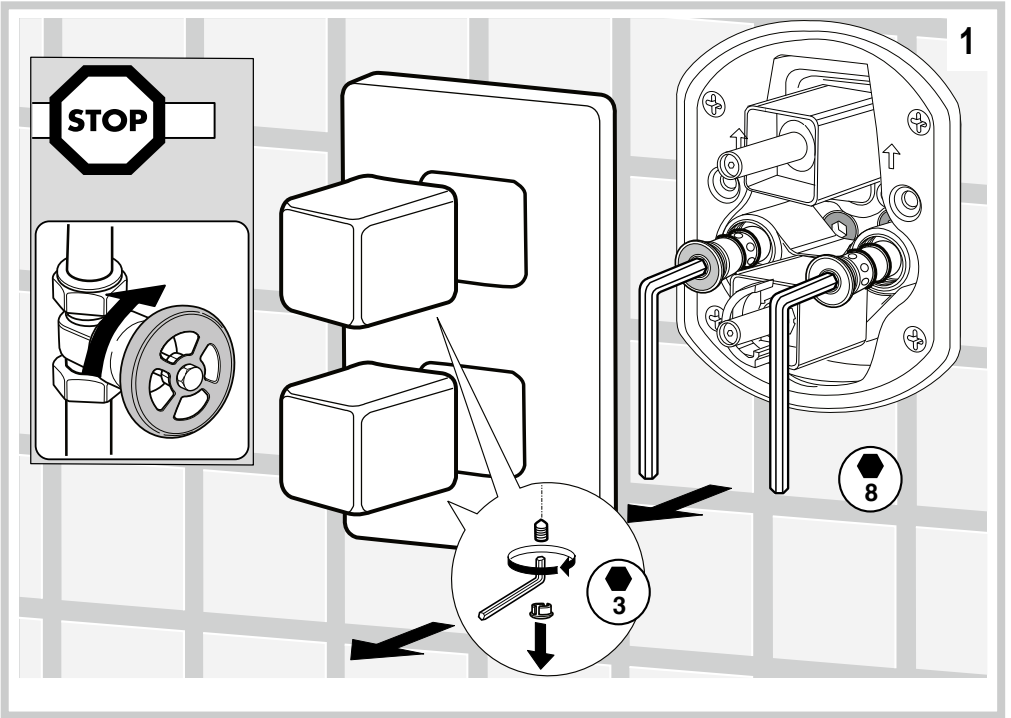
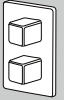


1



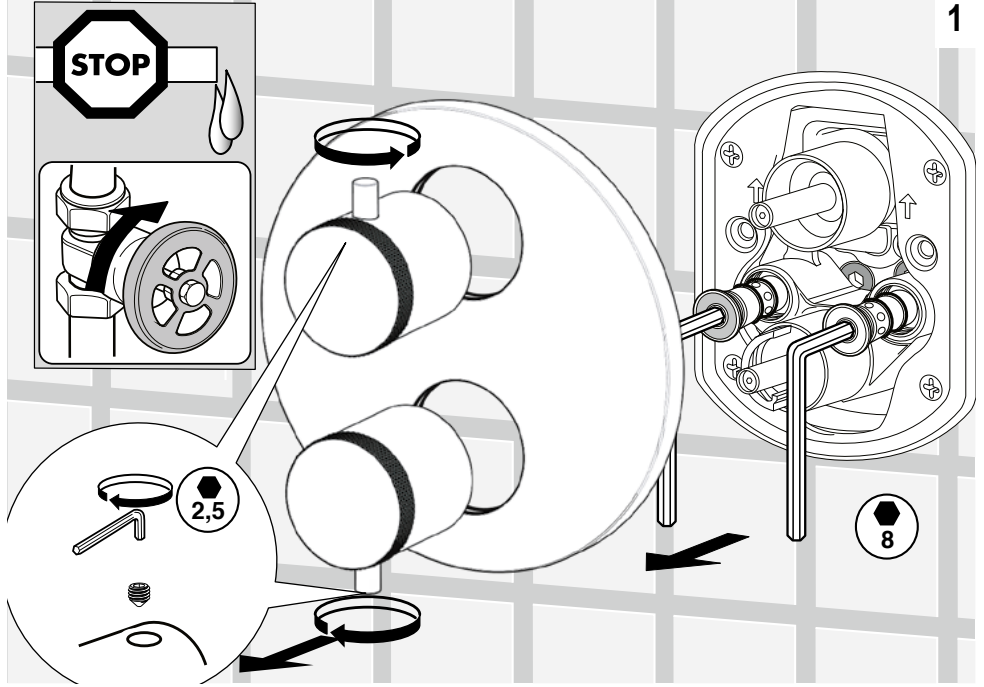
2



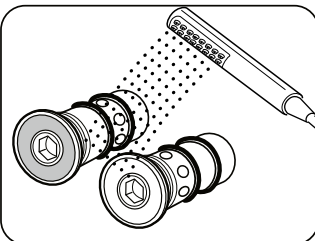
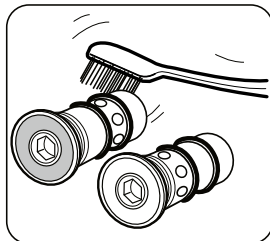
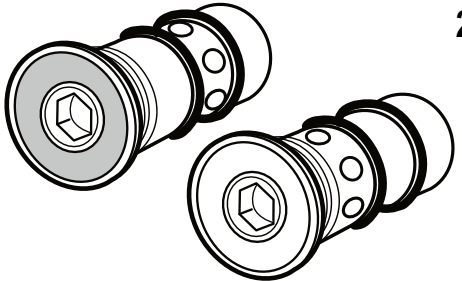
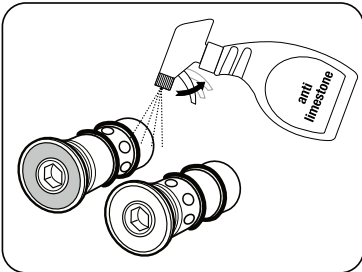


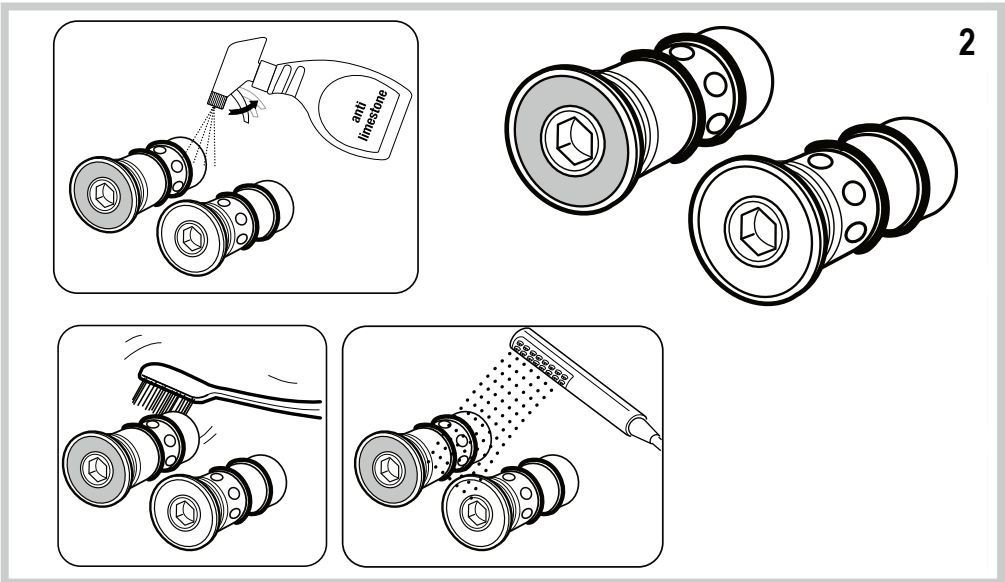
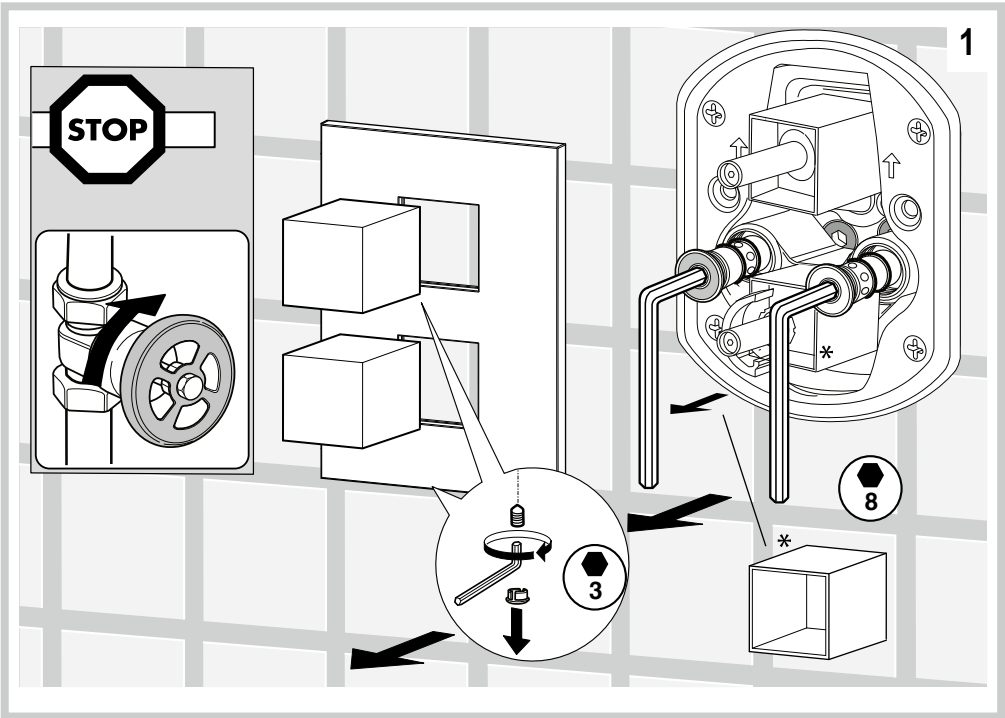


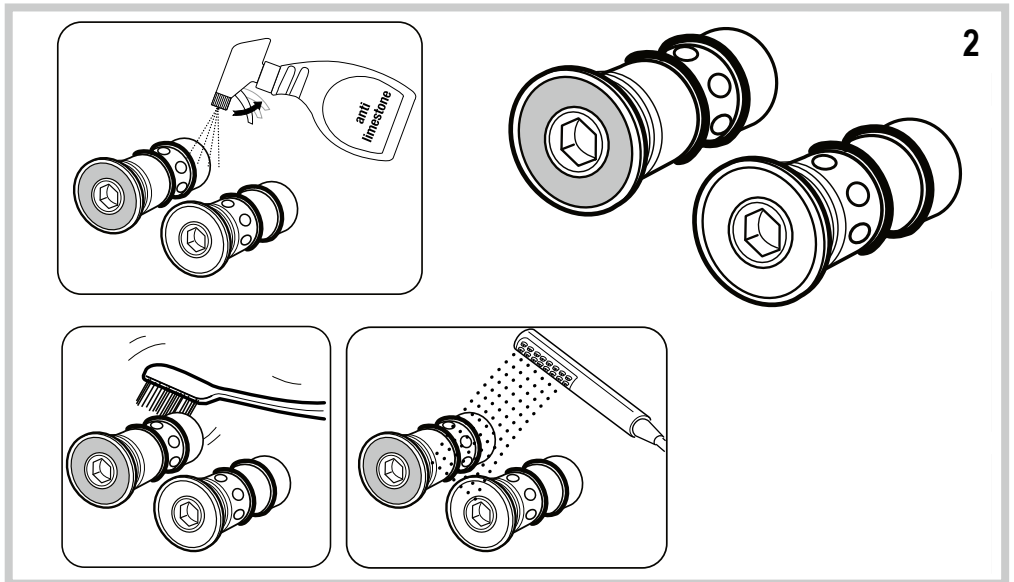
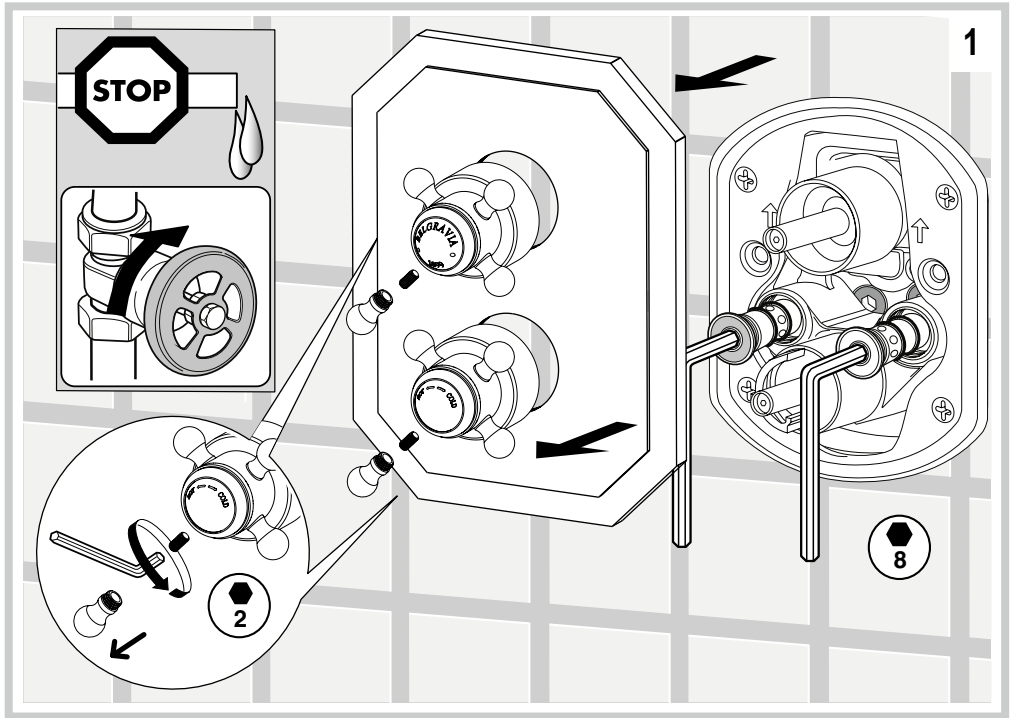
1

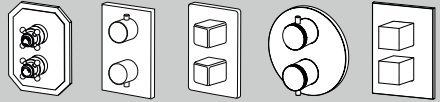


2

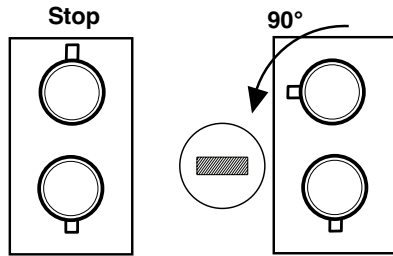




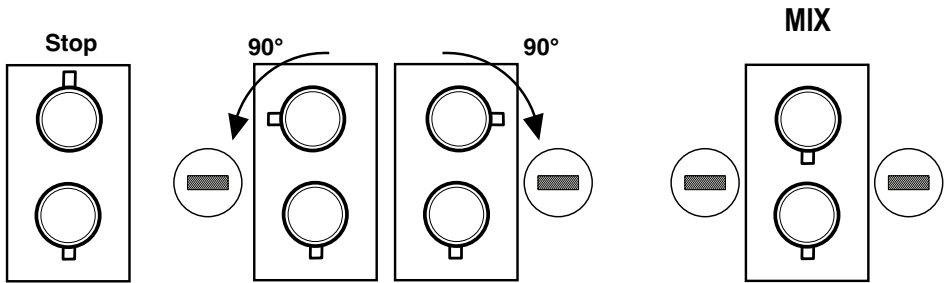




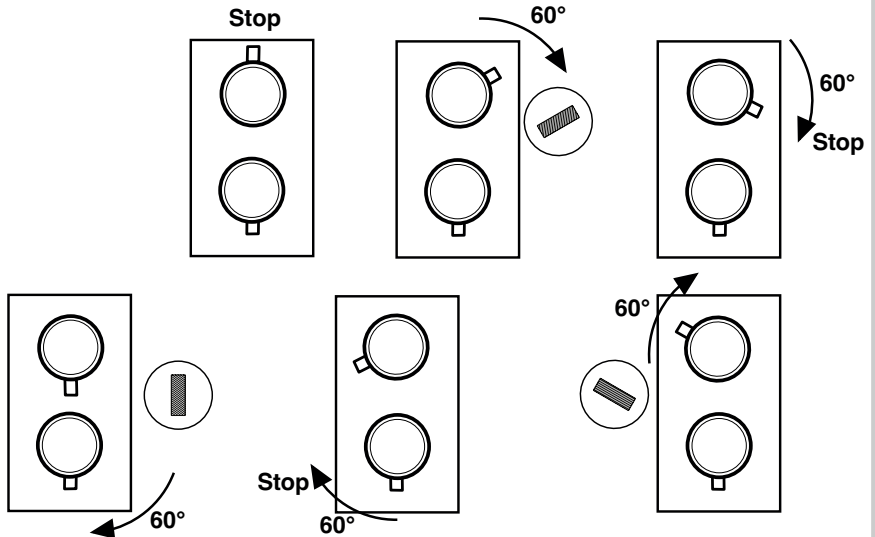
THERMOSTATIC 1 WAY

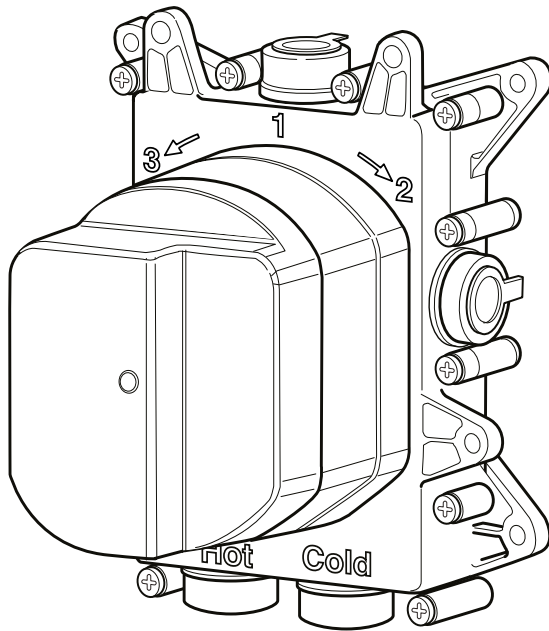


THERMOSTATIC 2 WAYS



THERMOSTATIC 3 WAYS



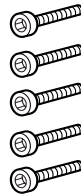
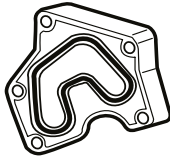
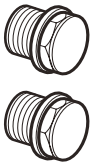
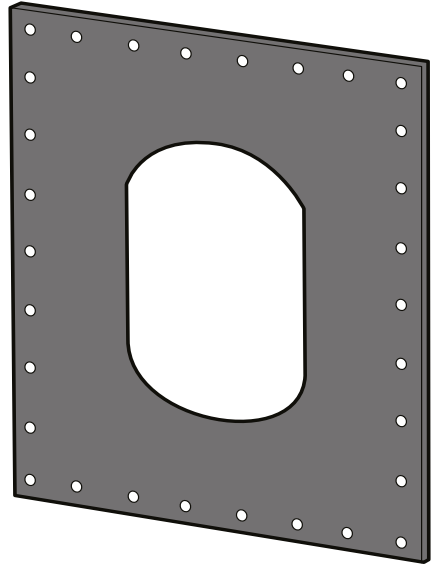
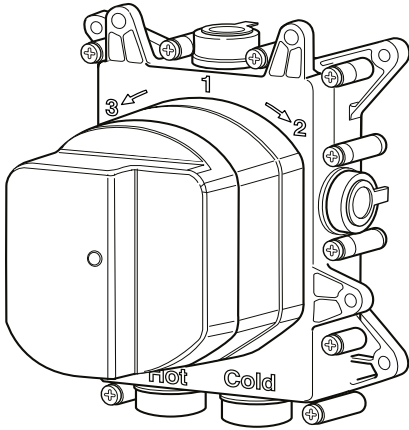


Concealed Box

Mounting Instructions

1

PACKAGE CONTENT



Mounting instructions



*Pressure range min/max 0,5/5 bar
(in case of water pressure higher than 5 bar we recommend installing pressure reducers).*

Recommended pressure 3 bar.

Operation:

Either with gas or electric accumulation boilers.

Centralised systems.

Safety lock at: 41° C

Min. Working temperature: 3° C

Min. recommended: 15° C

Max. Working temperature: 70° C

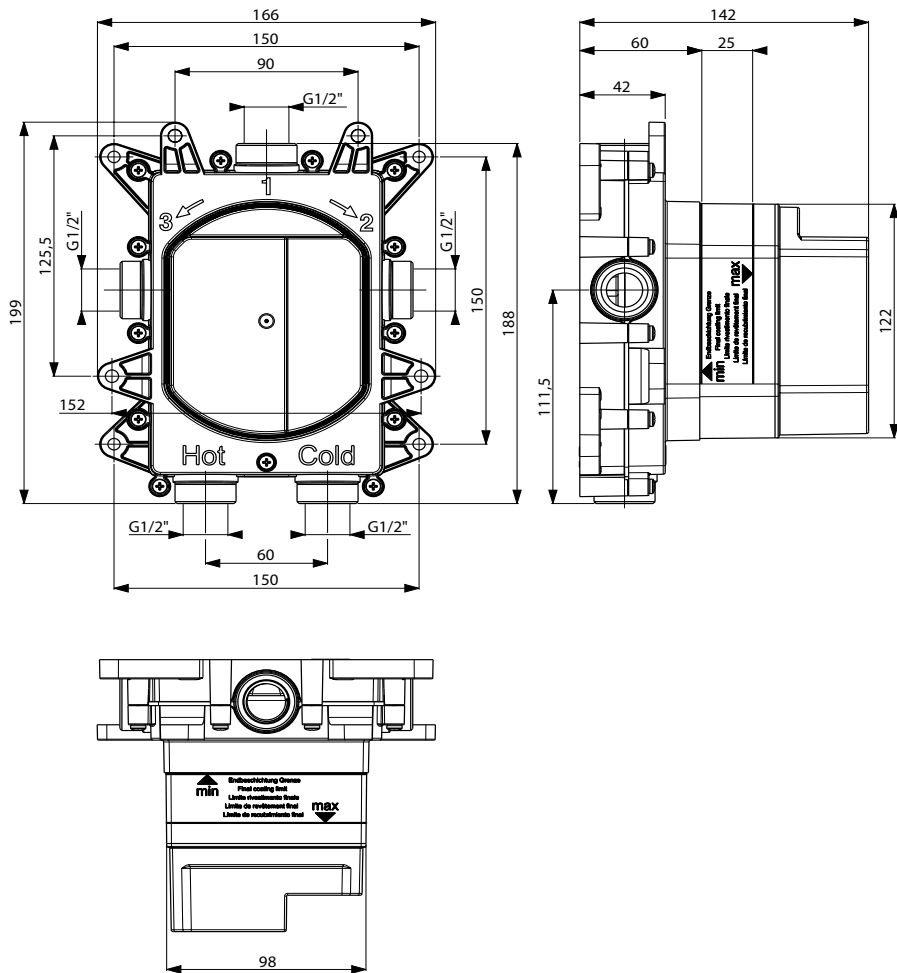
Max. recommended: 65° C

Recommended thermal differential 50° C

Thermal disinfection is allowed.

Safety system with flow stop in case of lack of one of the two waters.

Warning: contact the plumber for the choice of the best water heating device.

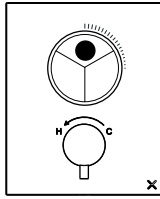


| Press. | FLOW RATE (L/min) | | | |
|--------|---------------------|------|--------|------|
| | Push button 2 ways | | | |
| | Exit 1 | | Exit 2 | |
| | | | | |
| bar | min. | max. | min. | max. |
| 0,5 | 1,5 | 7,5 | 1,5 | 7,5 |
| 1 | 2,3 | 11,3 | 2,3 | 11,2 |
| 2 | 3,5 | 16,5 | 3,5 | 16 |
| 3 | 4,5 | 20,5 | 4,5 | 20 |
| 4 | 5,5 | 23,7 | 5,2 | 22,8 |
| 5 | 5,7 | 26,5 | 5,7 | 25,5 |

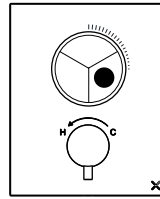
Press.

FLOW RATE (L/min)

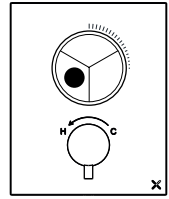
Push button 3 ways



Exit 1



Exit 2



Exit 3

bar

min. max.

min. max.

min. max.

0,5

1,8 8,1

1,8 7,7

1,8 7,7

1

2,7 11,8

2,6 11,5

2,6 11,5

2

3,9 16,8

3,9 16,7

3,9 16,7

3

4,8 20,7

4,8 20,5

4,8 20,5

4

5,5 24

5,5 23,7

5,5 23,7

5

6,2 26,7

6,2 26,6

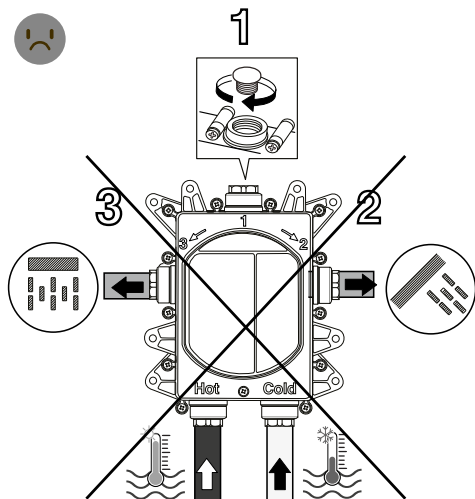
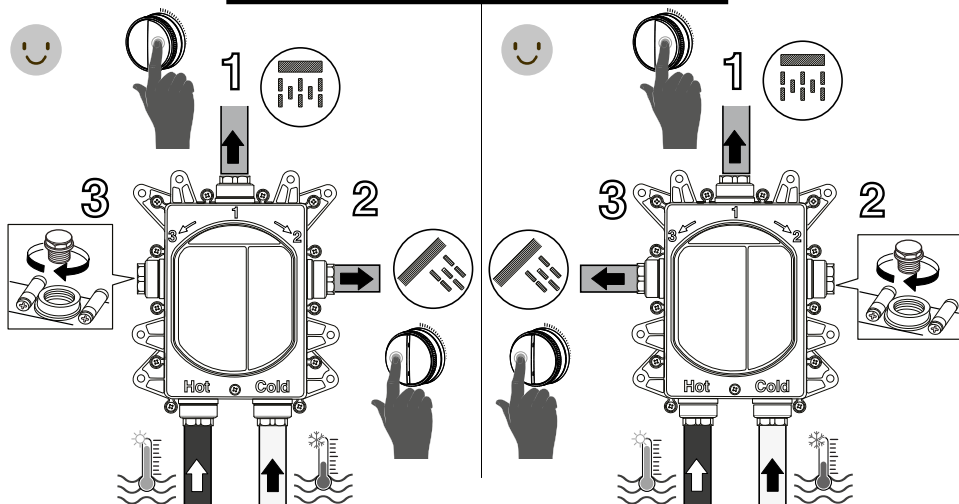
6,2 26,6



2 WAYS - ONLY PUSH VERSION



ATTENTION:
indications valid only
for PUSH VERSION!



**3 WAYS - ONLY PUSH VERSION**

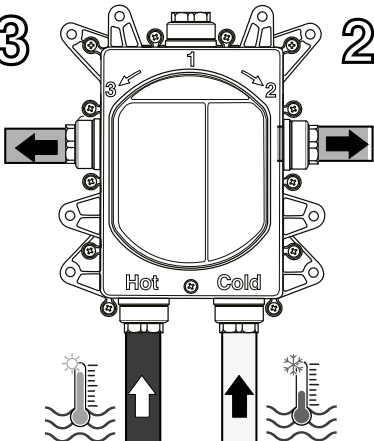
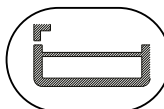
ATTENTION:
indications valid only
for PUSH VERSION!



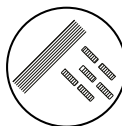
1

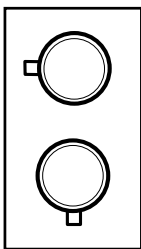
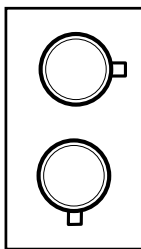
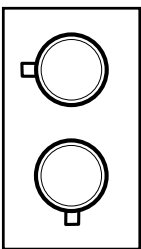
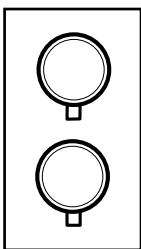


3



2

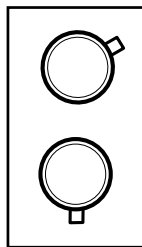


| Press. | FLOW RATE (L/min) | | | |
|--------|---|---|---|--|
| | Term. 1 way | Term. 2 way | | |
| |  |  |  |  |
| bar | Exit 1/2/3 | Exit 2 | Exit 3 | Mix |
| 0,5 | 8,2 | 8,2 | 8,2 | 9,2 |
| 1 | 11,7 | 11,7 | 11,7 | 13,2 |
| 2 | 16,7 | 16,4 | 16,4 | 18,7 |
| 3 | 20,7 | 20 | 20 | 22,9 |
| 4 | 24 | 23 | 23 | 26,4 |
| 5 | 26,6 | 25,8 | 25,8 | 29,5 |

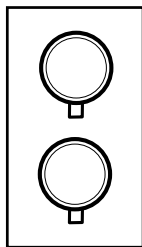
Press.

FLOW RATE (L/min)

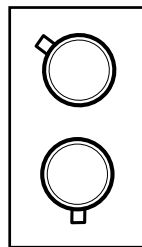
Term. 3 ways



Exit 1



Exit 2



Exit 3

bar

0,5

9,4

8,1

8,1

1

13,4

11,6

11,6

2

19,2

16,6

16,6

3

23,7

20,5

20,5

4

27,4

23,8

23,8

5

30,5

26,6

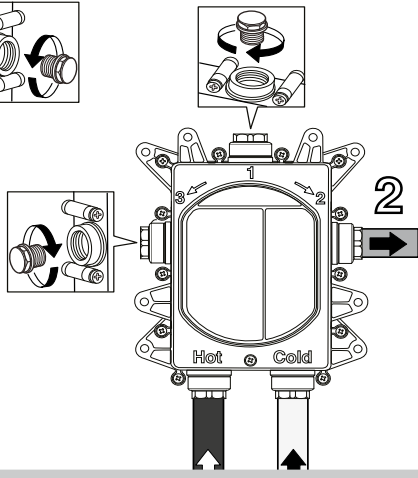
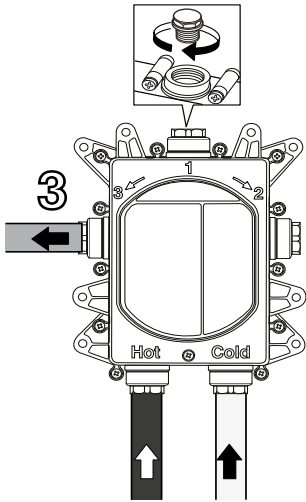
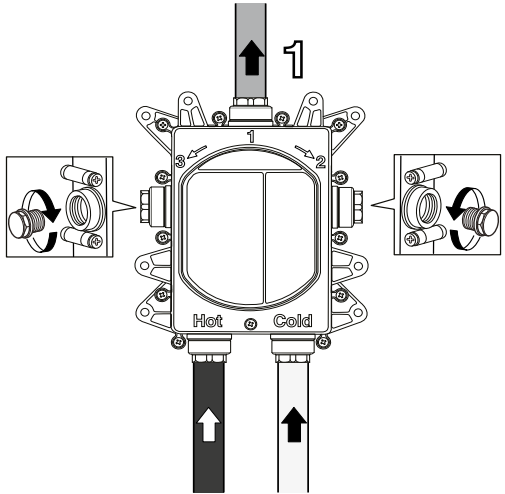
26,6



ATTENTION:
indications valid only
for **OTHER VERSIONS!**

Use hemp or teflon

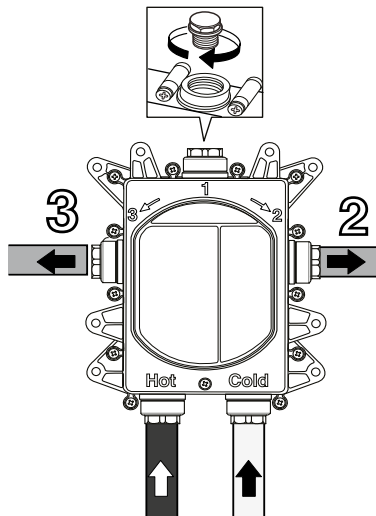
1 way



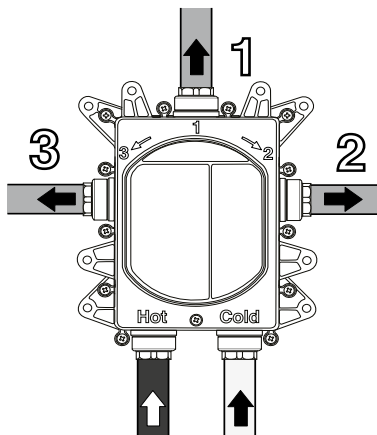


ATTENTION:
indications valid only
for **OTHER VERSIONS!**

2 ways

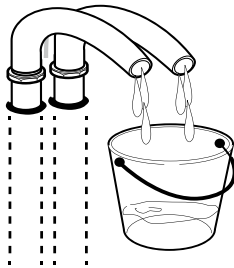
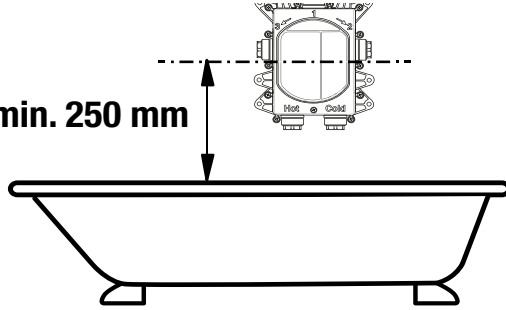


3 ways

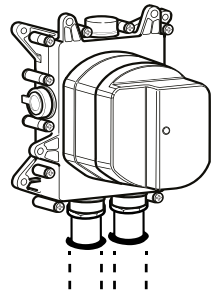
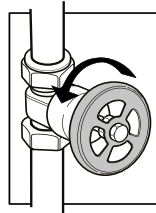


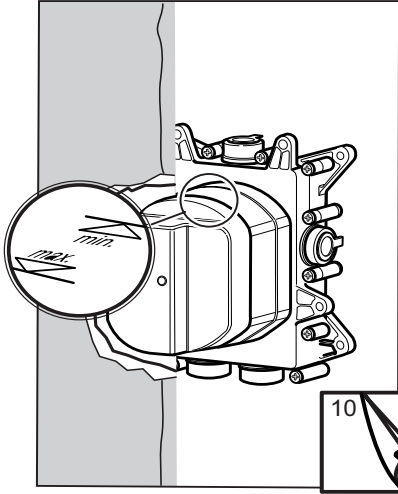


min. 250 mm

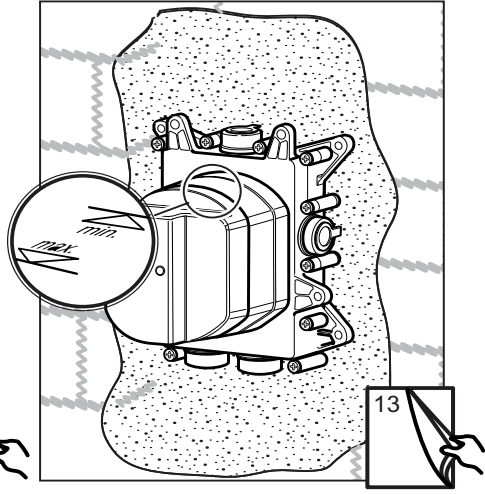


1° → 2°

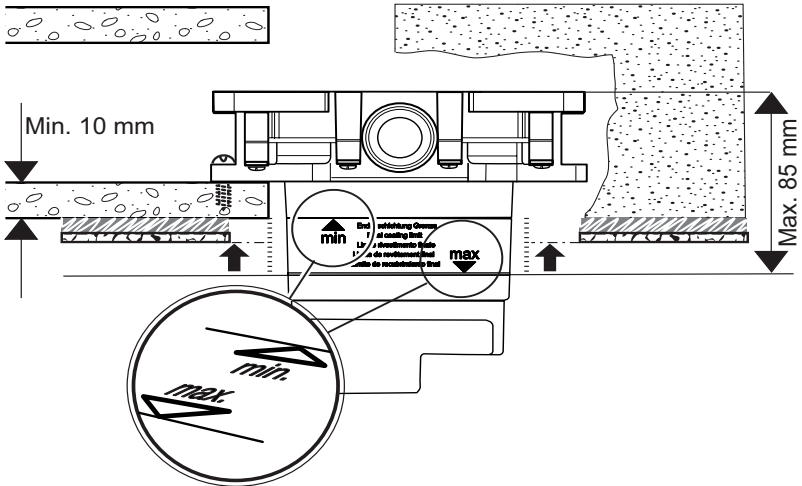


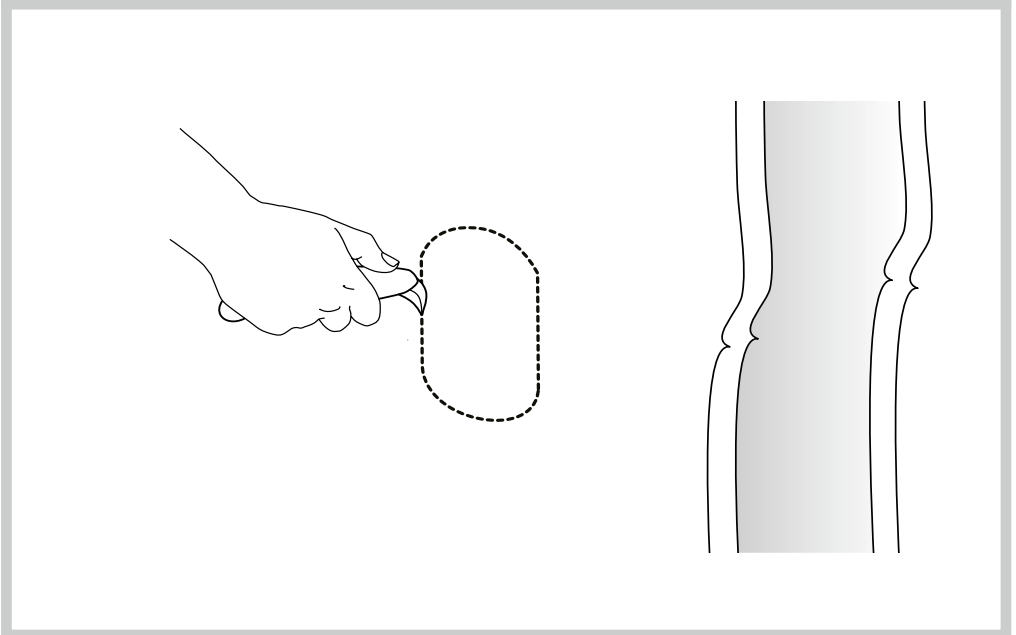
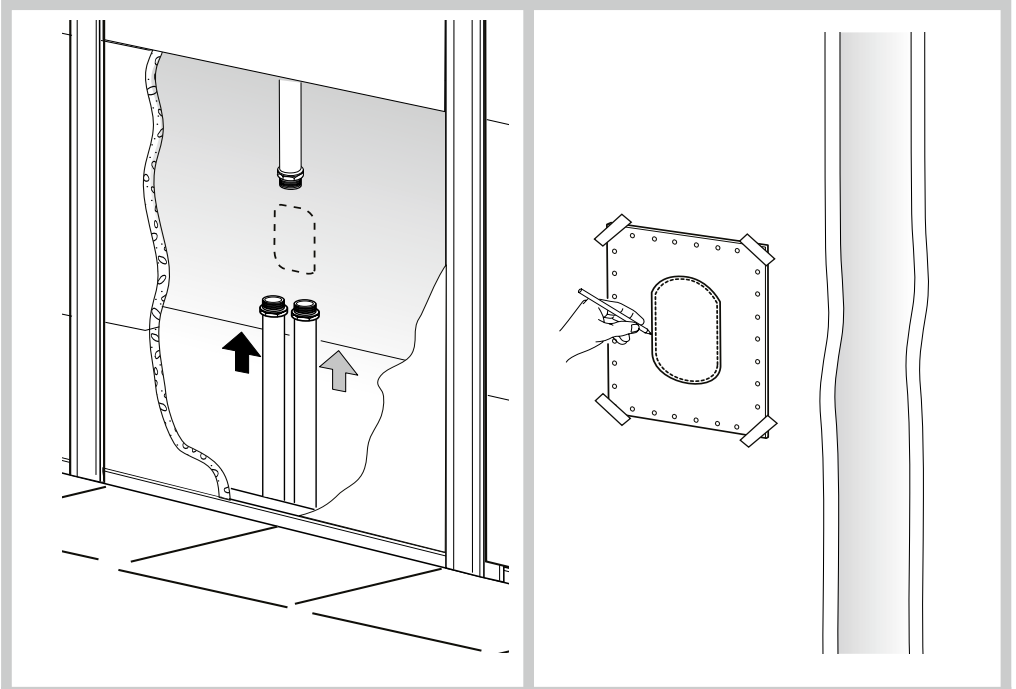


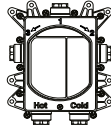
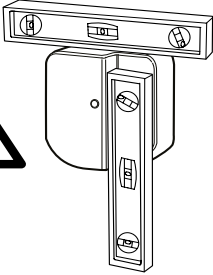
Mounting on plasterboard wall



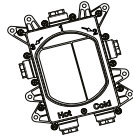
Wall mounting



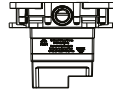




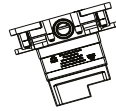
OK



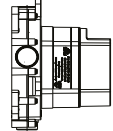
NO



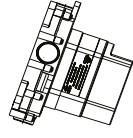
OK



NO



OK



NO

