

# PRODUCT DATA SHEET



## PRODUCT CODE

VR322DV

## RANGE

VERGE

## DESCRIPTION

Verge Bath Filler Stainless Steel Effect

MIN. PRESSURE 1.0 Bar

MAX. PRESSURE 5.0 Bar

PRESSURE (BAR) FLOWRATE

LOW 0.2 16

MID 0.5 25.1

1 36

2 50

HIGH 3 62

4 73

COLOUR Stainless Steel Effect

MATERIAL Brass

FINISH APPLICATION PVD

INSTALLATION TYPE Deck Mounted

STANDARDS EN 200:2008

HEADWORK 3/4" Quarter Turn  
Ceramic Cartridge

INLET CONNECTIONS THREAD G3/4"

FLOW REGULATOR M24x1 Screw Housing

TAP HOLES 1

APPROVALS KIWA - 2109731

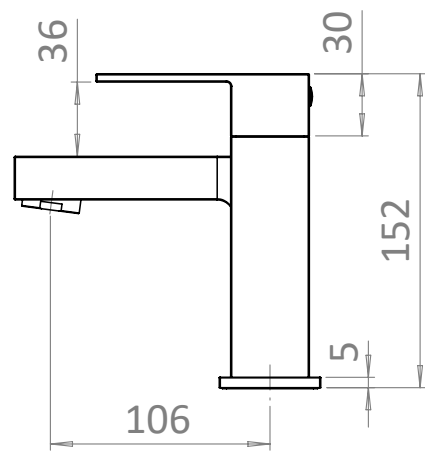
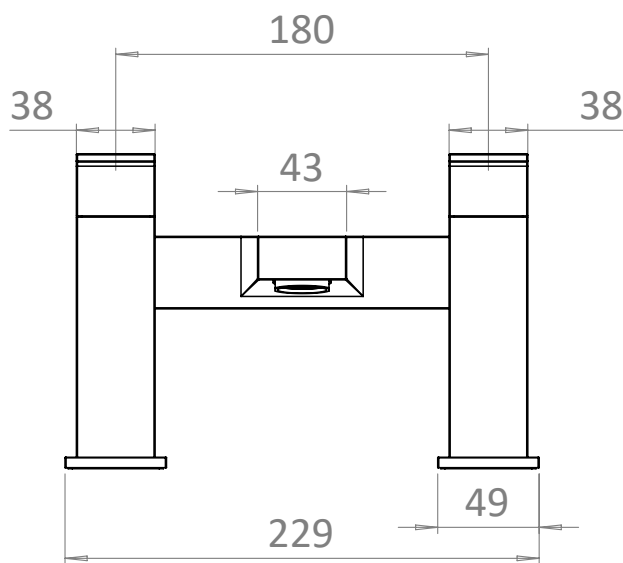
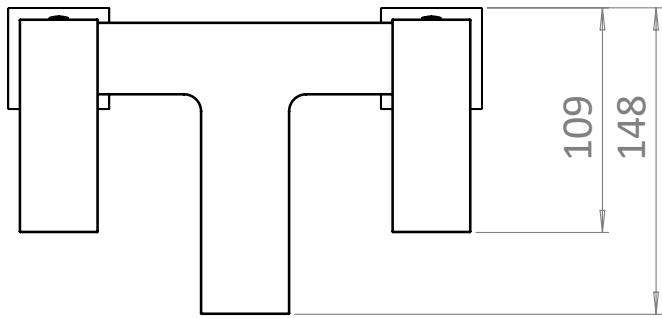
WEIGHT 3.25kg

WARRANTY 15 Years

## TECHNICAL DIMENSIONS

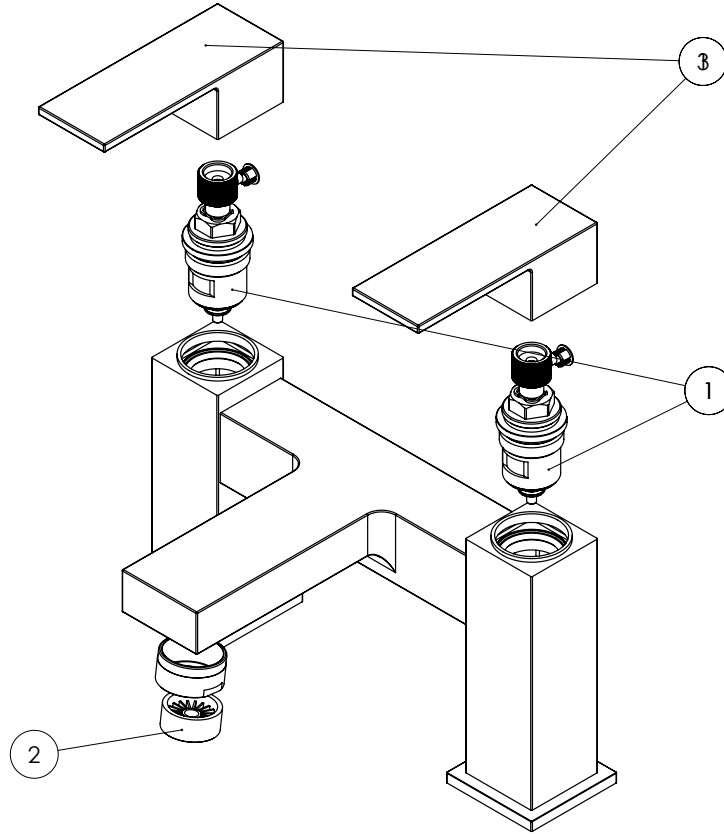
Dimensions in mm unless otherwise specified.

Tolerances (per material type) apply.



V10922

## SPARES DIAGRAM



| NUMBER | PART CODE  | DESCRIPTION  |
|--------|------------|--|
| 1      | A031210500 | VR322 & 422 Cartridge                              |
| 2      | A031211200 | VR322/422DC Chrome Aerator                         |
|        | A031211201 | VR322/422DM Matt Black Aerator                     |
|        | A031211202 | VR322/422DF Brushed Brass Aerator                  |
|        | A031211203 | VR322/422DV Brushed Stainless Steel Effect Aerator |
| 3      | A031210400 | VR322 & 422DC Chrome Lever                         |
|        | A031210401 | VR322 & 422DM Matt Black Lever                     |
|        | A031210402 | VR322 & 422DF Brushed Brass Lever                  |
|        | A031210403 | VR322 & 422DV Brushed Stainless Steel Effect Lever |

Only the parts labelled are available as spares.

V10922