

PRODUCT DATA SHEET



PRODUCT CODE

VR322DM

RANGE

VERGE

DESCRIPTION

Verge Bath Filler Matt Black

MIN. PRESSURE 1.0 Bar

MAX. PRESSURE 5.0 Bar

PRESSURE (BAR) FLOWRATE

LOW 0.2 16

MID 0.5 25.1

1 36

2 50

HIGH 3 62

4 73

COLOUR Matt Black

MATERIAL Brass

FINISH APPLICATION Powder Coated

INSTALLATION TYPE Deck Mounted

STANDARDS EN 200:2008

HEADWORK 3/4" Quarter Turn
Ceramic Cartridge

INLET CONNECTIONS THREAD G3/4"

FLOW REGULATOR M24x1 Screw Housing

TAP HOLES 1

APPROVALS KIWA - 2109731

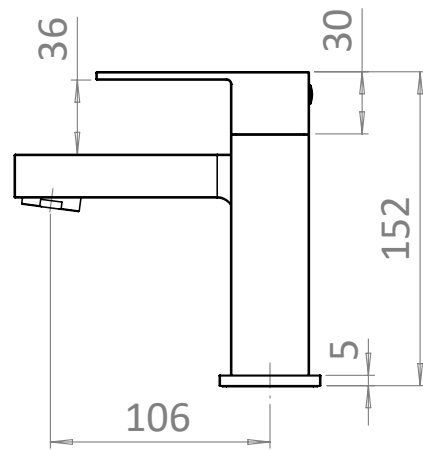
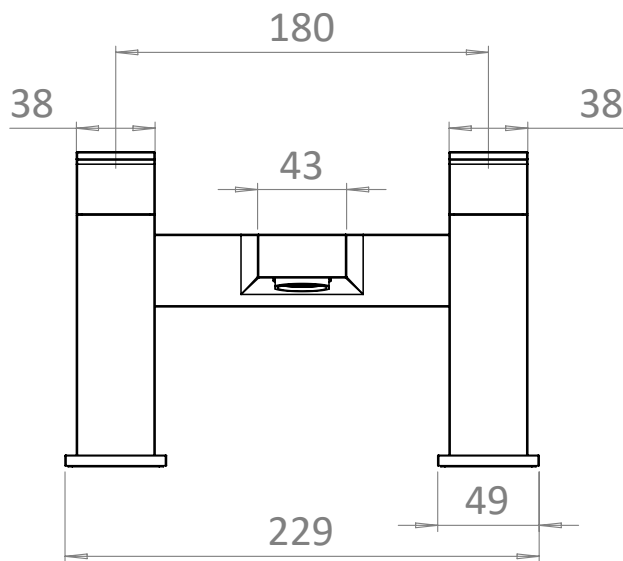
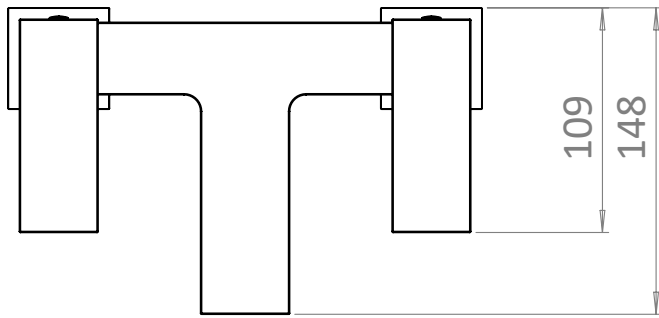
WEIGHT 3.25kg

WARRANTY 15 Years

TECHNICAL DIMENSIONS

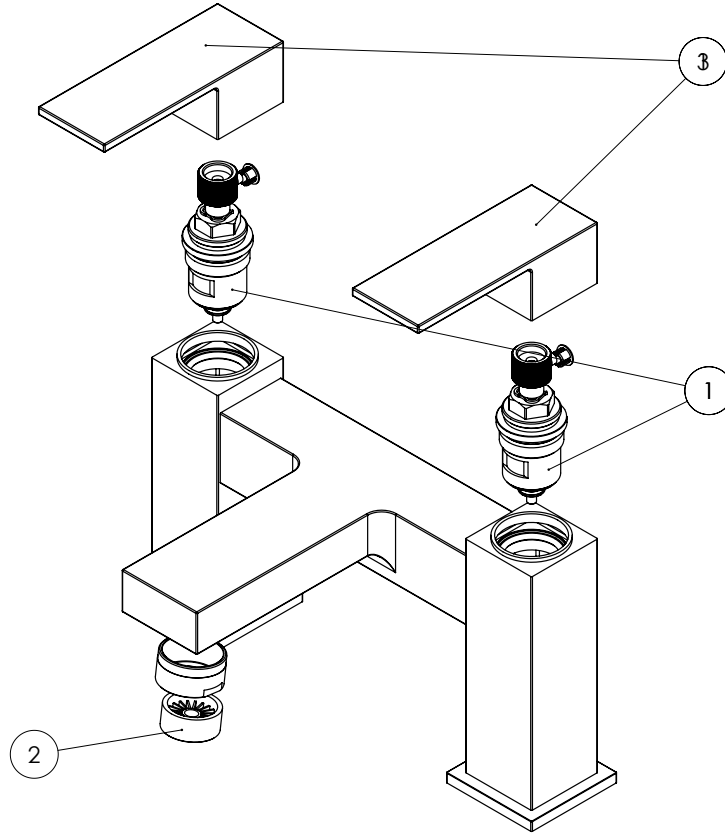
Dimensions in mm unless otherwise specified.

Tolerances (per material type) apply.



V10922

SPARES DIAGRAM



| NUMBER | PART CODE | DESCRIPTION |
|--------|------------|--|
| 1 | A031210500 | VR322 & 422 Cartridge |
| 2 | A031211200 | VR322/422DC Chrome Aerator |
| | A031211201 | VR322/422DM Matt Black Aerator |
| | A031211202 | VR322/422DF Brushed Brass Aerator |
| | A031211203 | VR322/422DV Brushed Stainless Steel Effect Aerator |
| 3 | A031210400 | VR322 & 422DC Chrome Lever |
| | A031210401 | VR322 & 422DM Matt Black Lever |
| | A031210402 | VR322 & 422DF Brushed Brass Lever |
| | A031210403 | VR322 & 422DV Brushed Stainless Steel Effect Lever |

Only the parts labelled are available as spares.

V10922