

PRODUCT DATA SHEET



PRODUCT CODE

VR121WNV

RANGE

VERGE

DESCRIPTION

Verge Wall Mounted 2 Hole Set
Stainless Steel Effect

MIN. PRESSURE 1.0 Bar

MAX. PRESSURE 5.0 Bar

PRESSURE (BAR) FLOWRATE

LOW 0.2 2.2

MID 0.5 3.49

1 4.66

2 4.97

HIGH 3 4.44

4 4.48

5 4.65

COLOUR Stainless Steel Effect

MATERIAL Brass

FINISH APPLICATION PVD

INSTALLATION TYPE Wall Mounted

STANDARDS EN 200:2008

HEADWORK 35mm Single Lever
Ceramic Cartridge

INLET CONNECTIONS THREAD G1/2"

FLOW REGULATOR M24x1 Screw Housing

TAP HOLES 2

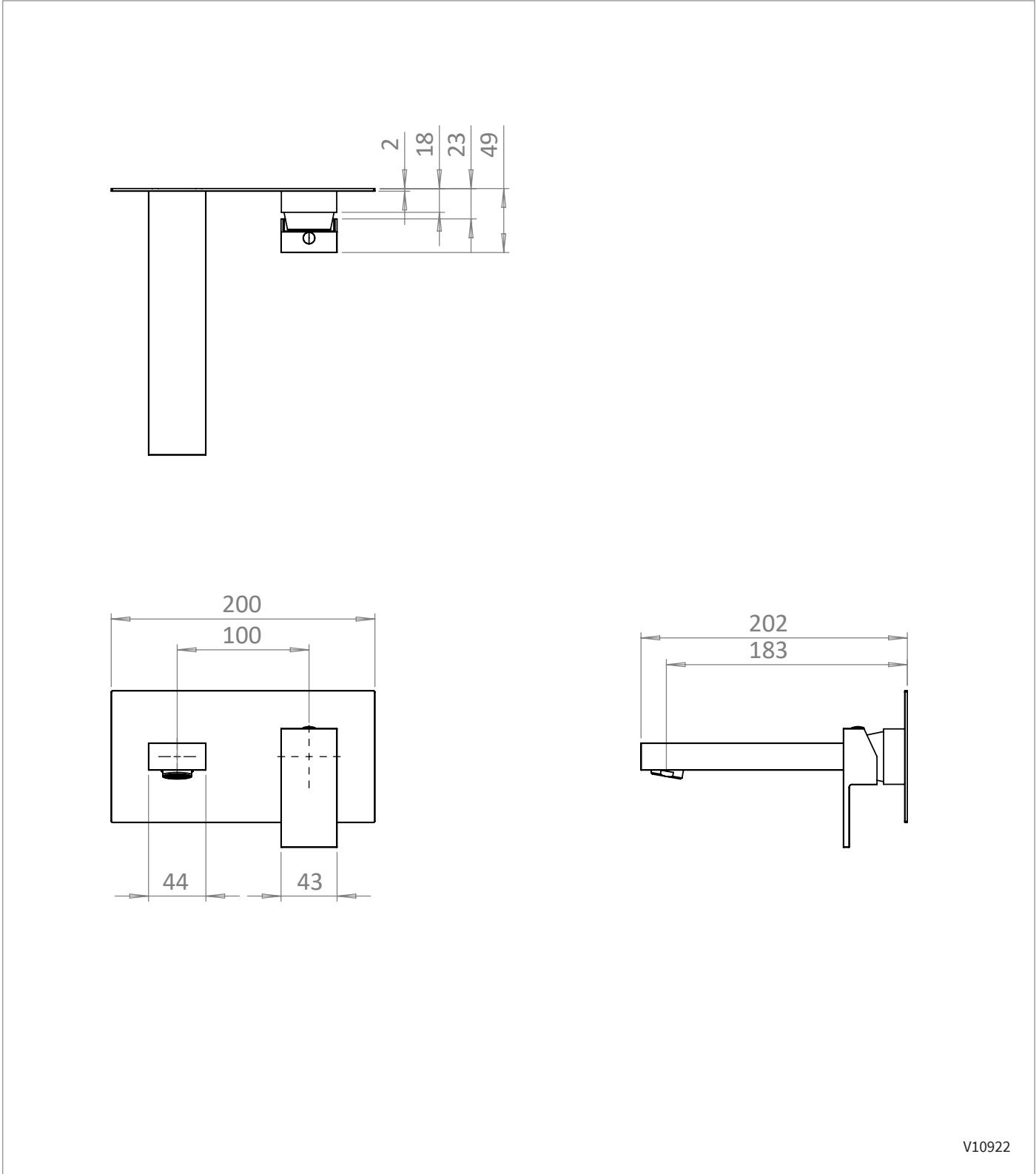
WEIGHT 2.18kg

WARRANTY 15 Years

TECHNICAL DIMENSIONS

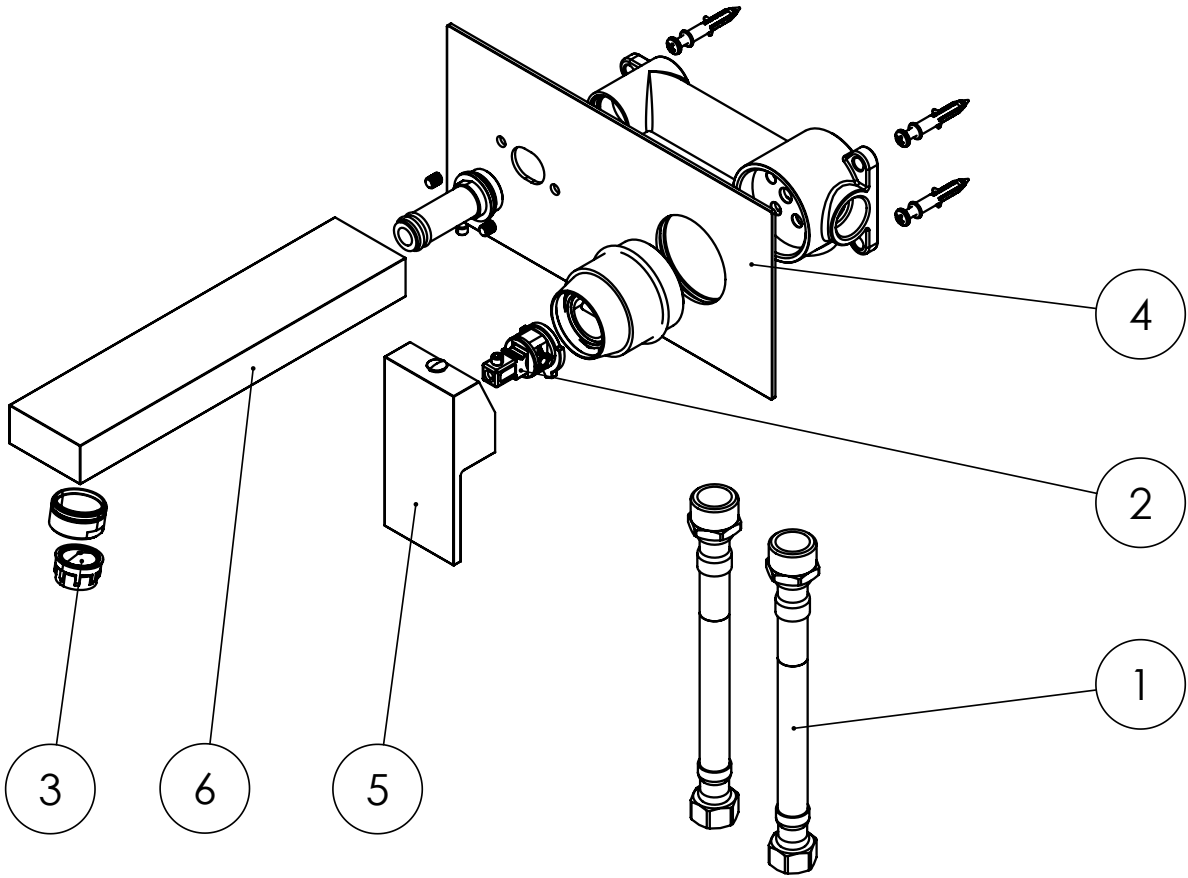
Dimensions in mm unless otherwise specified.

Tolerances (per material type) apply.



V10922

SPARES DIAGRAM



Only the parts labelled are available as spares.

V10922

SPARES DIAGRAM

NUMBER	PART CODE	DESCRIPTION
1	A031120200	VR112 Flexible Hose
2	A031140400	VR121 Cartridge
3	A031111000	VR110/112/121 Chrome Aerator
	A031111001	VR110/112/121 Matt Black Aerator
	A031111002	VR110/112/121 Brushed Brass Aerator
	A031111003	VR110/112/121 Brushed Stainless Steel Effect Aerator
4	A031140200	VR121WNC Chrome Wall Plate
	A031140201	VR121WNM Matt Black Wall Plate
	A031140202	VR121WNF Brushed Brass Wall Plate
	A031140203	VR121WNV Brushed Stainless Steel Effect Wall Plate
5	A031140700	VR121WNC Chrome Lever
	A031140701	VR121WNM Matt Black Lever
	A031140702	VR121WNF Brushed Brass Lever
	A031140703	VR121WNV Brushed Stainless Steel Effect Lever
6	A031141000	VR121WNC Chrome Spout
	A031141001	VR121WNM Matt Black Spout
	A031141002	VR121WNF Brushed Brass Spout
	A031141003	VR121WNV Brushed Stainless Steel Effect Spout

Only the parts labelled are available as spares.

V10922