

# PRODUCT DATA SHEET



## PRODUCT CODE

VR112

DNF

## RANGE

VERGE

## DESCRIPTION

Verge Basin Mono No Waste Brushed Brass

MIN. PRESSURE 1.0 Bar

MAX. PRESSURE 5.0 Bar

PRESSURE (BAR) FLOWRATE

LOW 0.2 1.59

MID 0.5 2.56

1 3.51

2 4.07

HIGH 3 4.04

4 4.04

5 4.04

COLOUR Brushed Brass

MATERIAL Brass

FINISH APPLICATION PVD

INSTALLATION TYPE Deck Mounted

STANDARDS EN 200:2008

HEADWORK 35mm Single Lever  
Ceramic Cartridge

INLET CONNECTIONS THREAD G1/2"

FLOW REGULATOR M24x1 Screw Housing

TAP HOLES 1

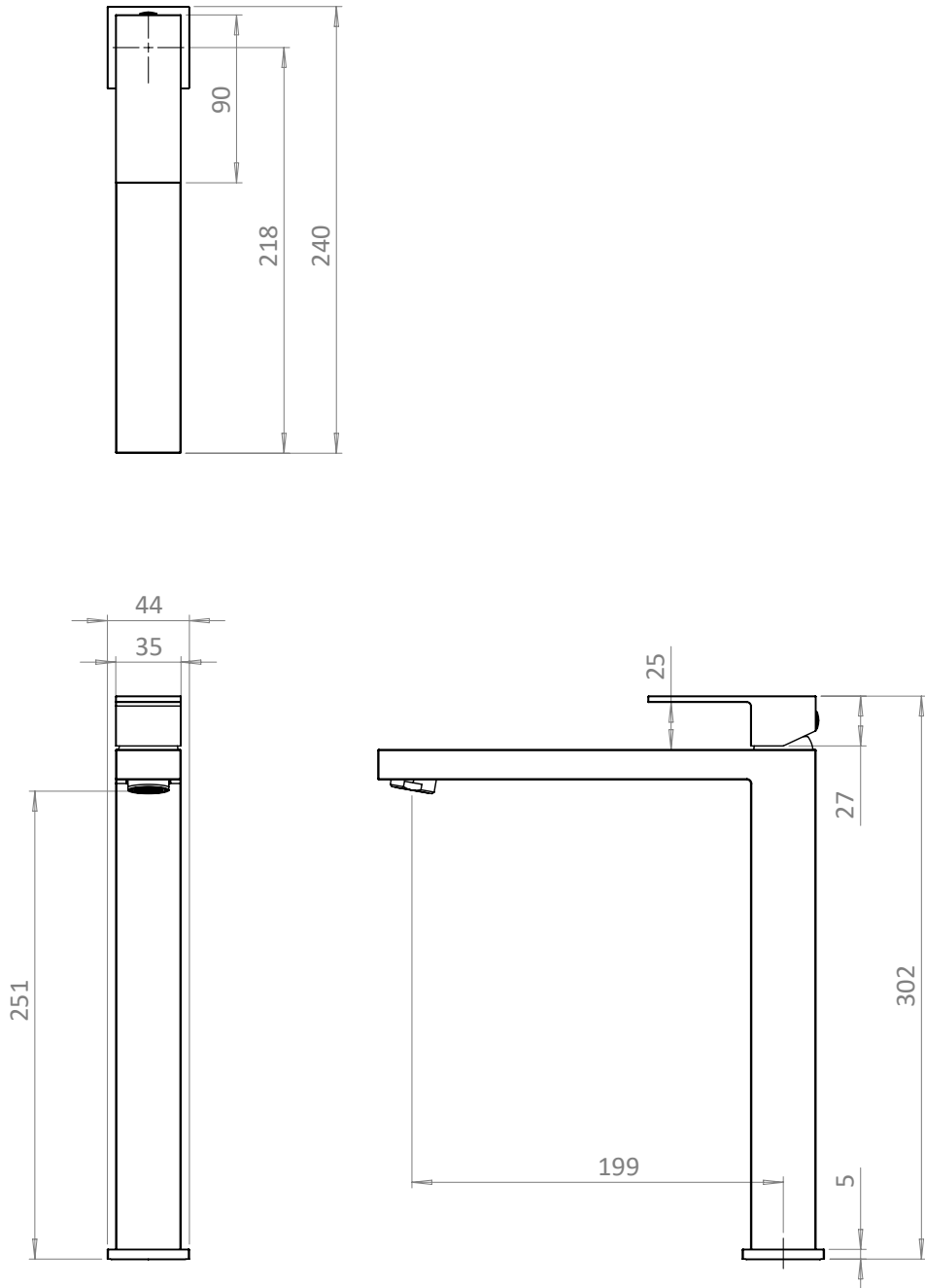
WEIGHT 4.17kg

WARRANTY 15 Years

## TECHNICAL DIMENSIONS

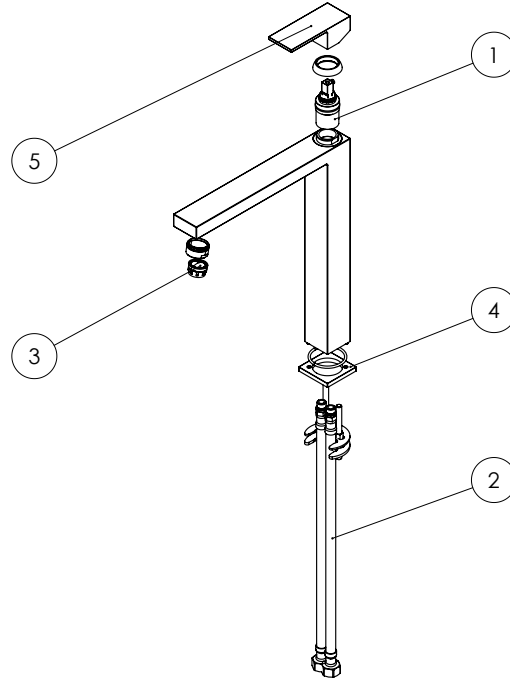
Dimensions in mm unless otherwise specified.

Tolerances (per material type) apply.



V10922

## SPARES DIAGRAM



NUMBER	PART CODE	DESCRIPTION
1	A031110700	VR110 & VR112 Cartridge
2	A031111100	VR112 Flexible Hose
3	A031111000	VR110/112/121 Chrome Aerator
	A031111001	VR110/112/121 Matt Black Aerator
	A031111002	VR110/112/121 Brushed Brass Aerator
	A031111003	VR110/112/121 Brushed Stainless Steel Effect Aerator
4	A031110800	VR112DNC Chrome Base Plate
	A031110802	VR112DNM Matt Black Base Plate
	A031110803	VR112DNF Brushed Brass Base Plate
	A031110804	VR112DNV Brushed Stainless Steel Effect Base Plate
5	A031110200	VR112DNC Chrome Lever
	A031110202	VR112DNM Matt Black Lever
	A031110203	VR112DNF Brushed Brass Lever
	A031110204	VR112DNV Brushed Stainless Steel Effect Lever

Only the parts labelled are available as spares.

V10922