

PRODUCT DATA SHEET



PRODUCT CODE

VR112DNM

RANGE

Verge

DESCRIPTION

Verge Basin Mono No Waste Matt Black

MIN. PRESSURE 1.0 Bar

MAX. PRESSURE 5.0 Bar

PRESSURE (BAR) FLOWRATE

LOW 0.2 1.59

MID 0.5 2.56

1 3.51

2 4.07

HIGH 3 4.04

4 4.04

5 4.04

COLOUR Matt Black

MATERIAL Brass

FINISH APPLICATION Powder Coated

INSTALLATION TYPE Deck Mounted

STANDARDS EN 200:2008

HEADWORK 35mm Single Lever
Ceramic Cartridge

INLET CONNECTIONS THREAD G1/2"

FLOW REGULATOR M24x1 Screw Housing

TAP HOLES 1

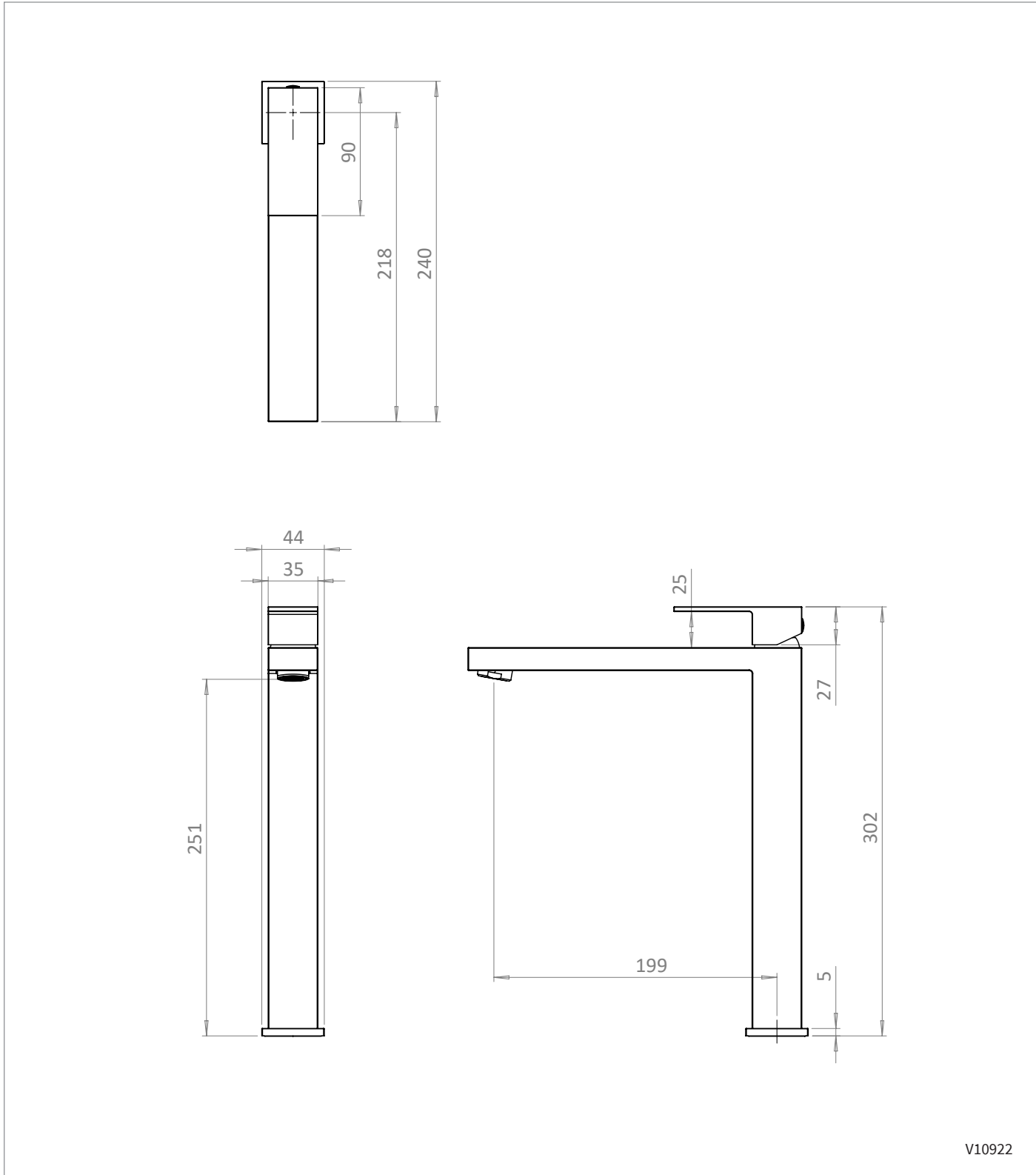
WEIGHT 4.17kg

WARRANTY 15 Years

TECHNICAL DIMENSIONS

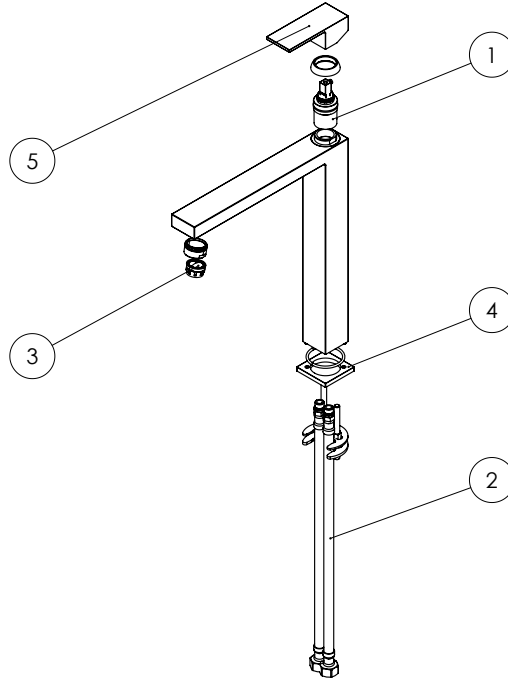
Dimensions in mm unless otherwise specified.

Tolerances (per material type) apply.



V10922

SPARES DIAGRAM



NUMBER	PART CODE	DESCRIPTION
1	A031110700	VR110 & VR112 Cartridge
2	A031111100	VR112 Flexible Hose
3	A031111000	VR110/112/121 Chrome Aerator
	A031111001	VR110/112/121 Matt Black Aerator
	A031111002	VR110/112/121 Brushed Brass Aerator
	A031111003	VR110/112/121 Brushed Stainless Steel Effect Aerator
4	A031110800	VR112DNC Chrome Base Plate
	A031110802	VR112DNM Matt Black Base Plate
	A031110803	VR112DNF Brushed Brass Base Plate
	A031110804	VR112DNV Brushed Stainless Steel Effect Base Plate
5	A031110200	VR112DNC Chrome Lever
	A031110202	VR112DNM Matt Black Lever
	A031110203	VR112DNF Brushed Brass Lever
	A031110204	VR112DNV Brushed Stainless Steel Effect Lever

Only the parts labelled are available as spares.

V10922