

## *Completion Concealed Box*

### *Mounting Instructions*

Pressure range min/max 0,5/5 bar  
(in case of water pressure higher than 5 bar we recommend installing pressure reducers).

Recommended pressure 3 bar.

Operation:

Either with gas or electric accumulation  
boilers.

Centralised systems.

---

Safety lock at: 41°

Min. Working temperature: 3°C

Min. recommended: 15°C

Max. Working temperature: 80°C

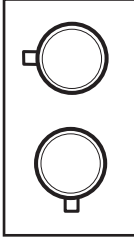
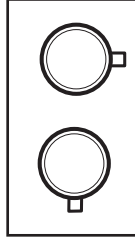
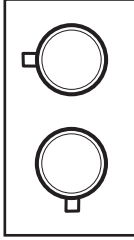
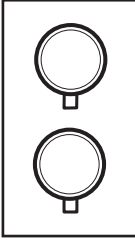
Max. recommended: 65°C

*Recommended thermal differential* 50°C

Safety system with flow stop in case  
of lack of one of the two waters.

---

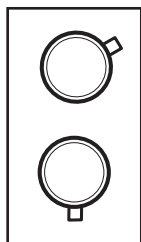
**Warning: contact the plumber for the choice of the best water heating device.**

Press.	FLOW RATE ( L/min )			
	Term. 1 way	Term. 2 way		
				
bar	Exit 1/2/3	Exit 2	Exit 3	Mix
0,5	8,2	8,2	8,2	9,2
1	11,7	11,7	11,7	13,2
2	16,7	16,4	16,4	18,7
3	20,7	20	20	22,9
4	24	23	23	26,4
5	26,6	25,8	25,8	29,5

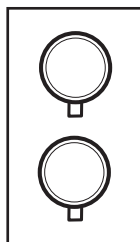
Press.

FLOW RATE ( L/min )

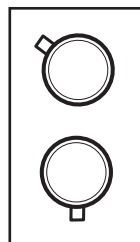
Term. 3 ways



Exit 1



Exit 2



Exit 3

bar

0,5

9,4

8,1

8,1

1

13,4

11,6

11,6

2

19,2

16,6

16,6

3

23,7

20,5

20,5

4

27,4

23,8

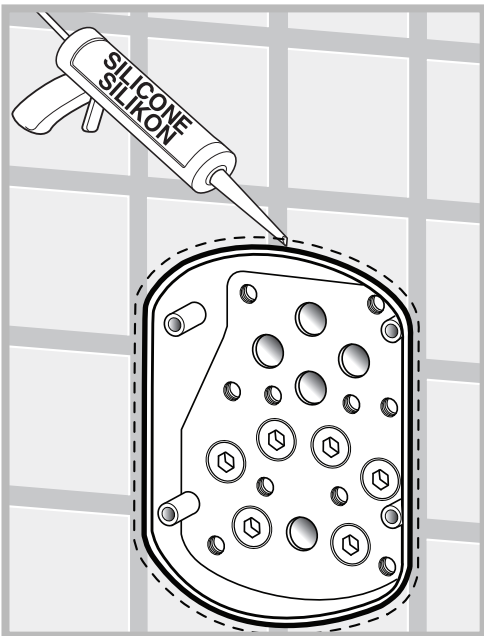
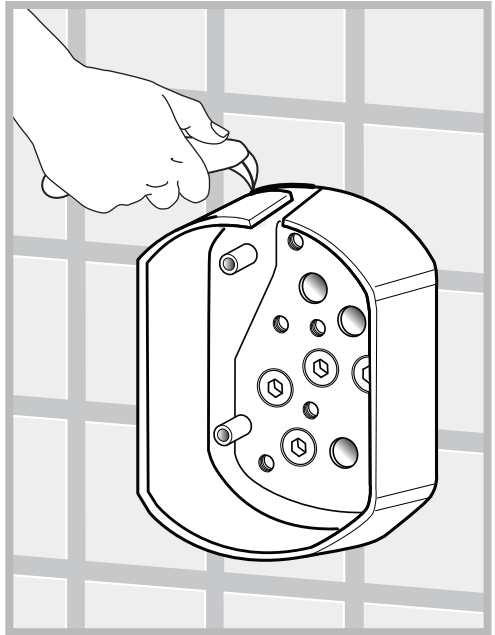
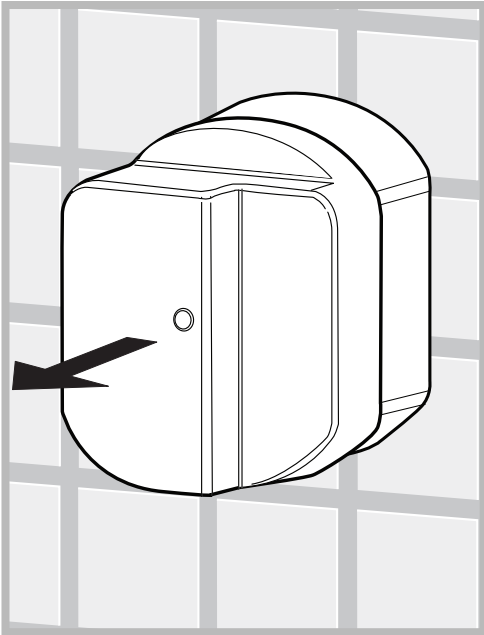
23,8

5

30,5

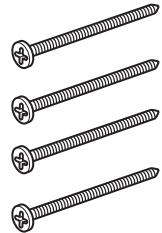
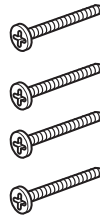
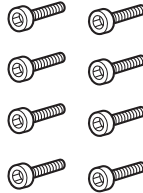
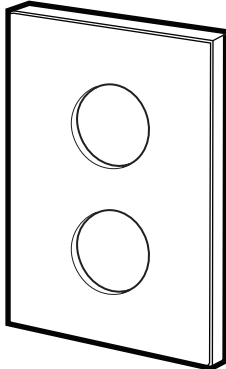
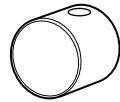
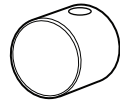
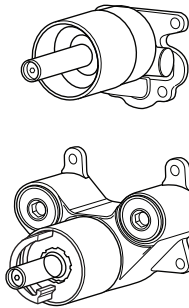
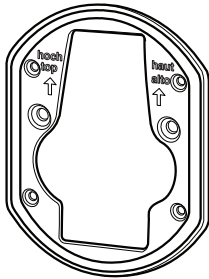
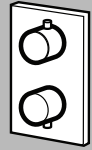
26,6

26,6



THERMOSTATIC

1-2-3 WAYS

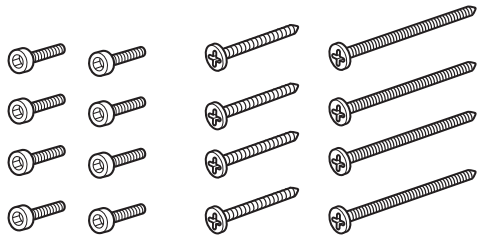
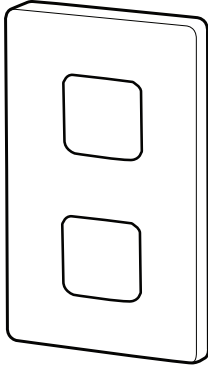
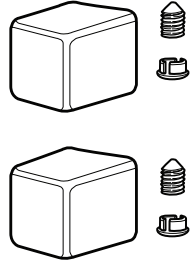
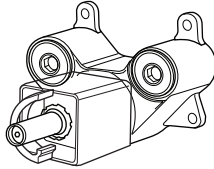
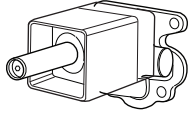
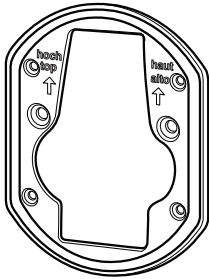
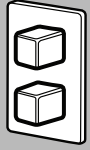


GB Mounting instructions



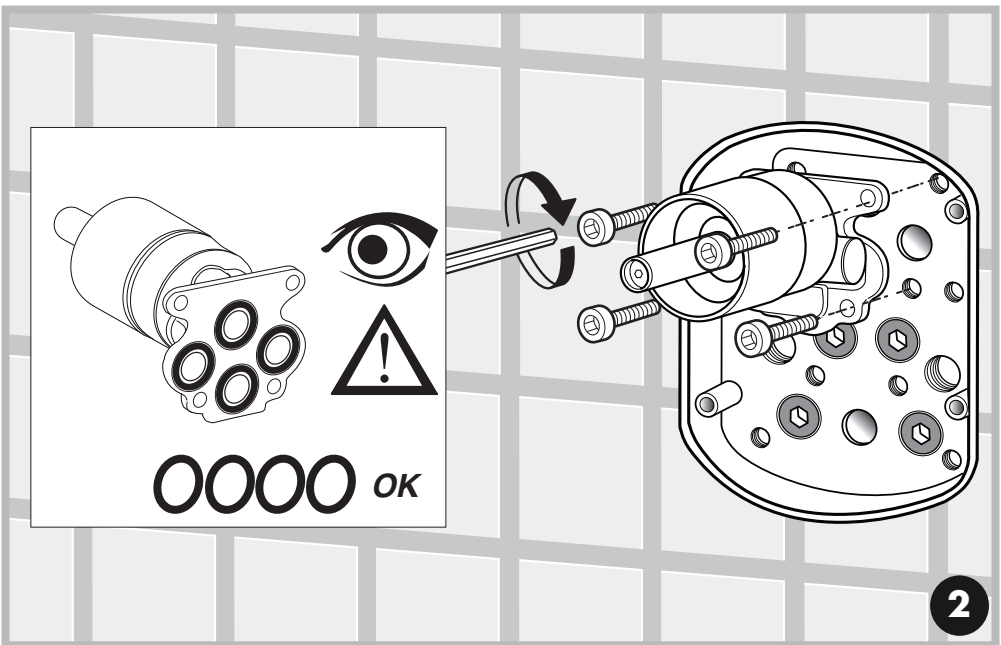
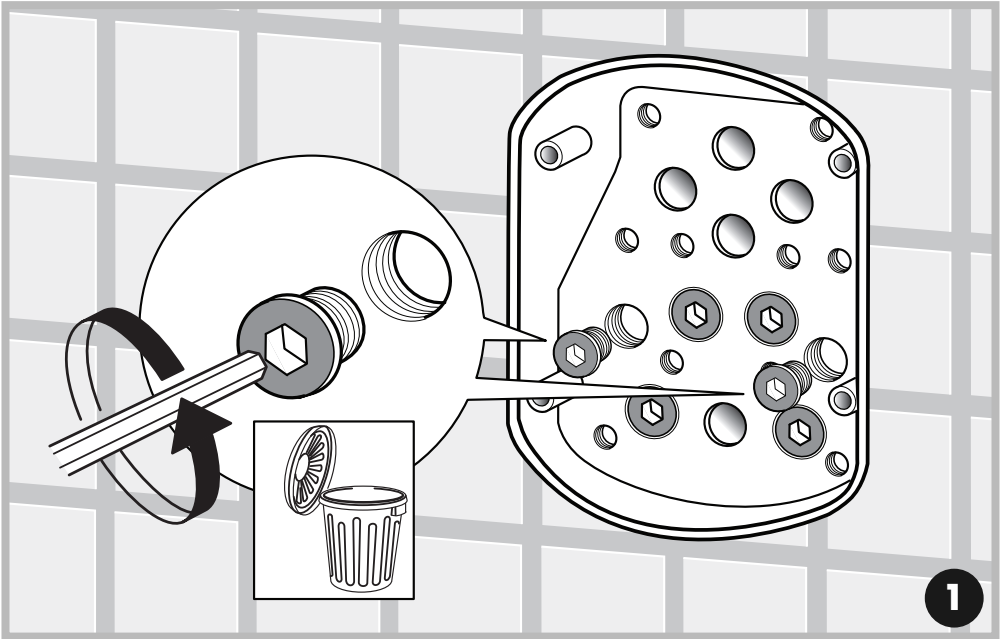
THERMOSTATIC

1-2-3 WAYS

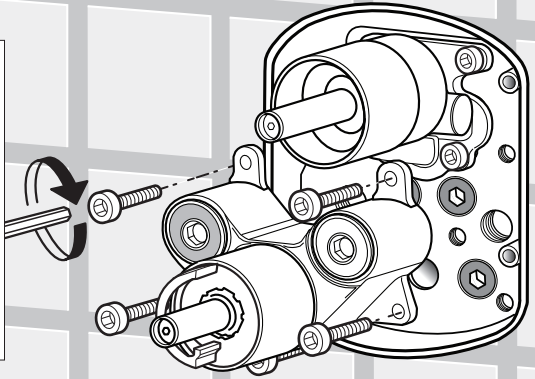
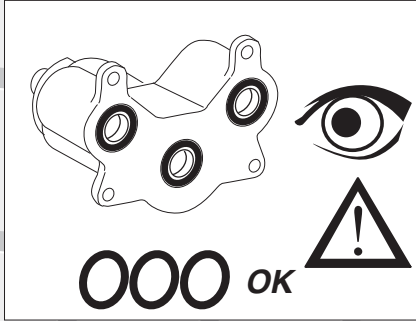
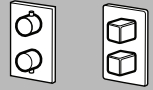


GB Mounting instructions

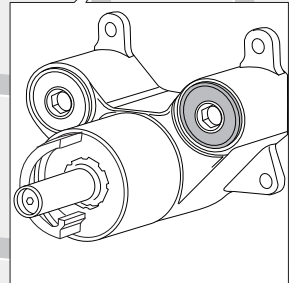
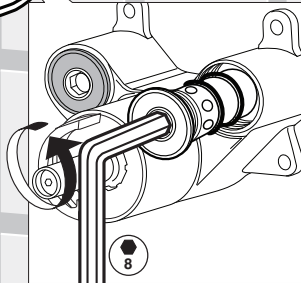
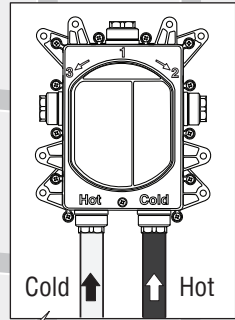
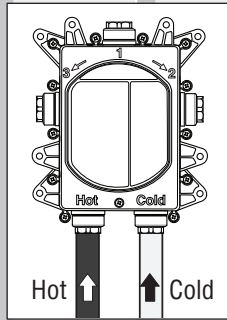
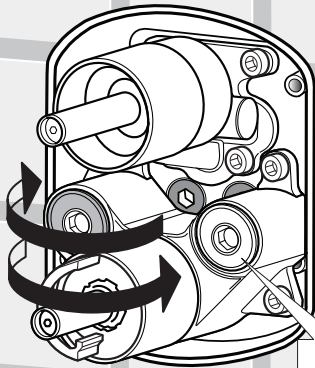




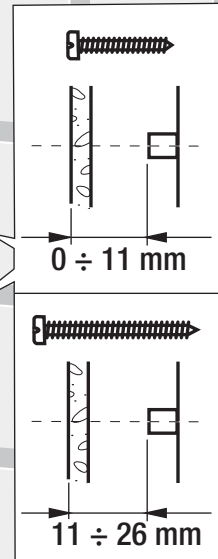
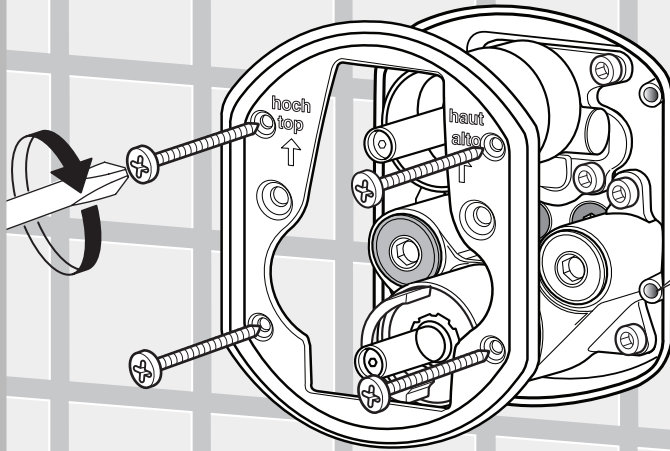




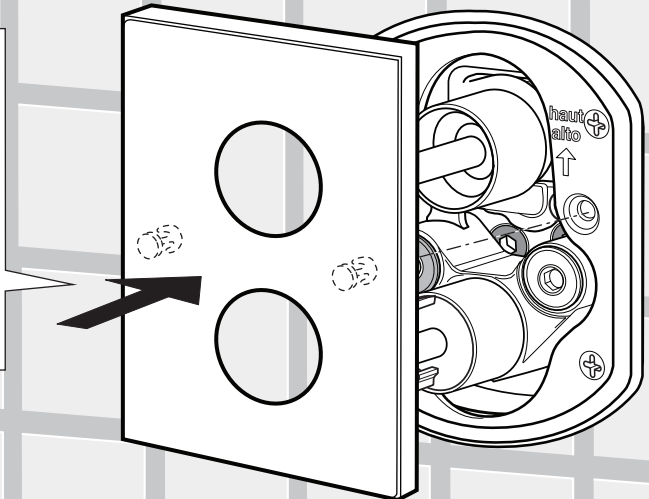
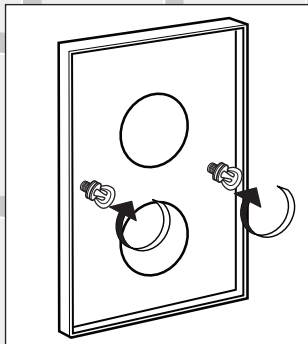
3



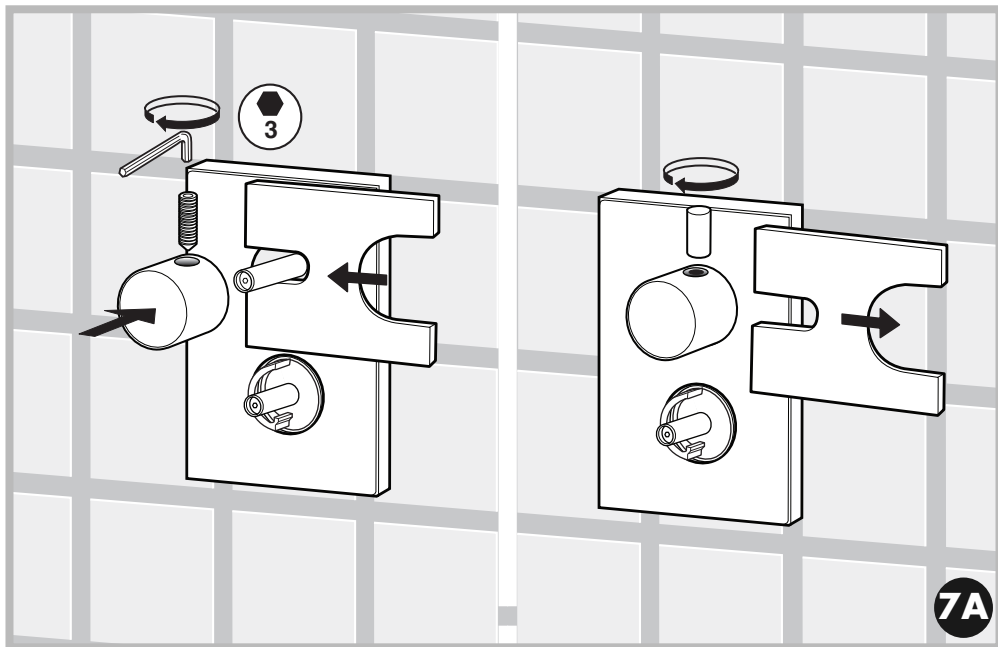
4



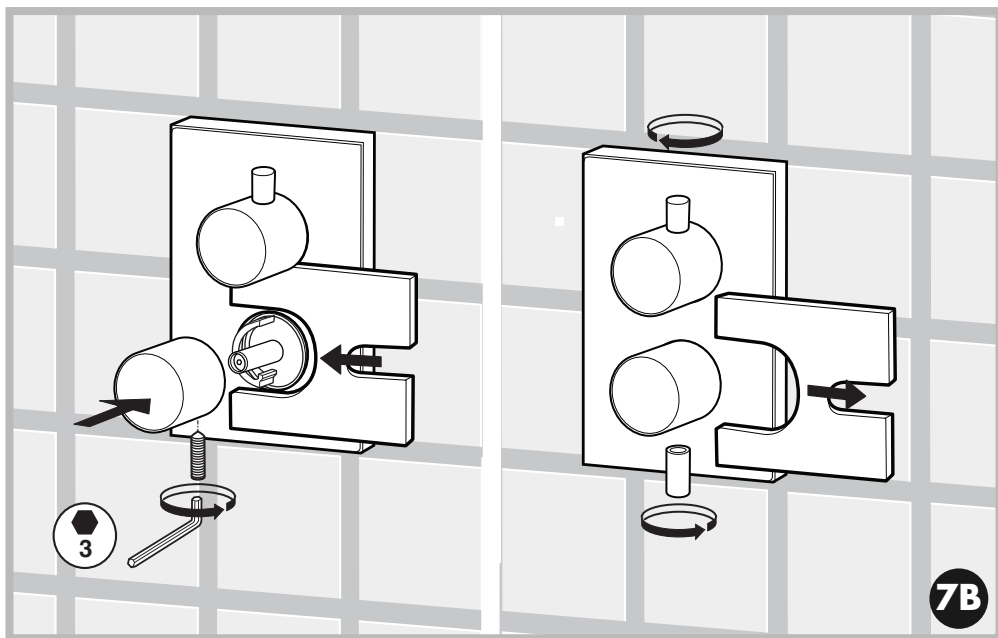
5



6



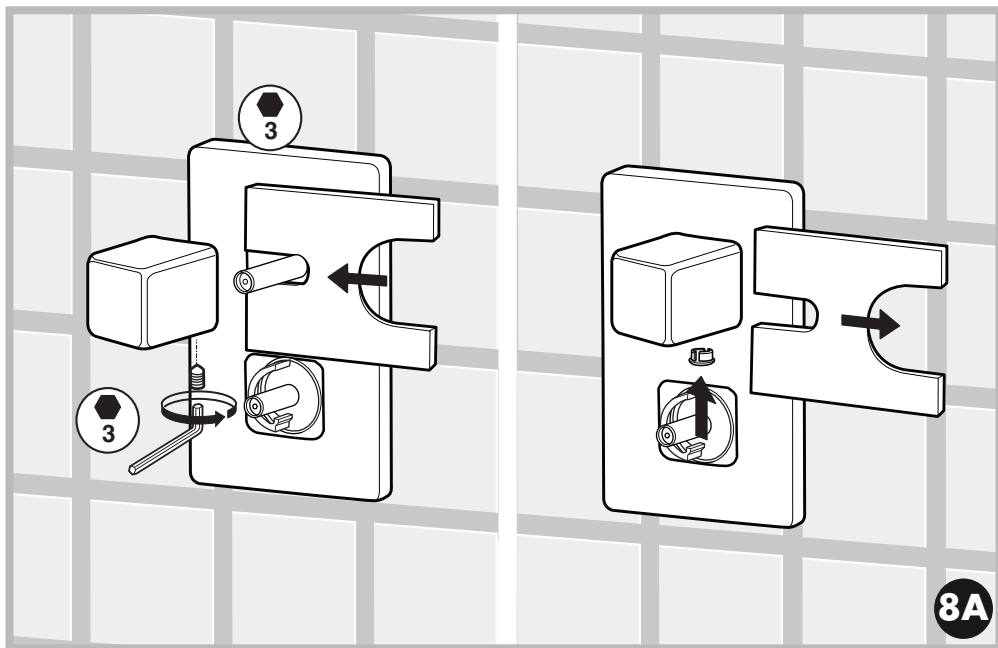
7A



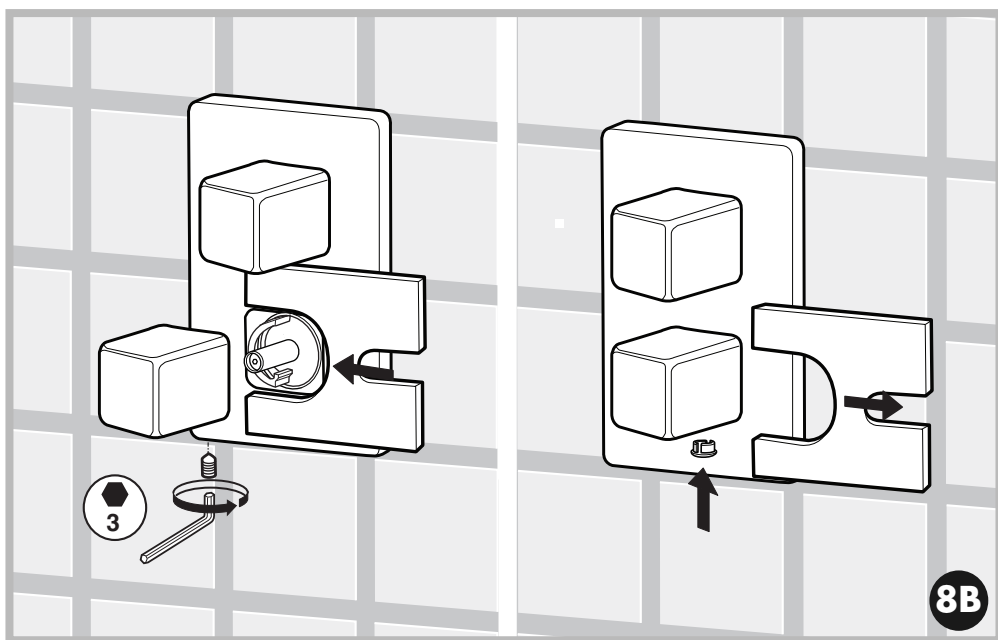
7B



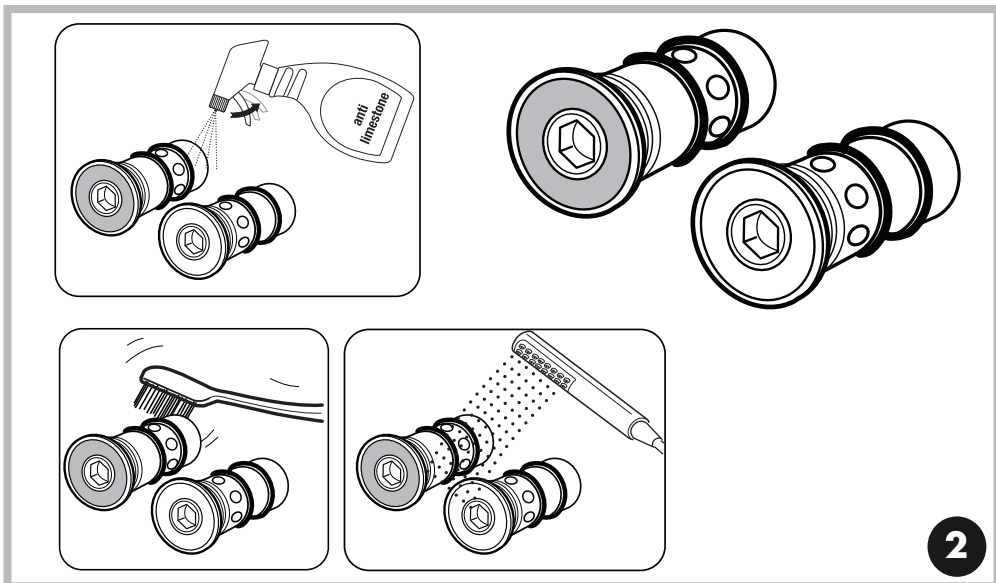
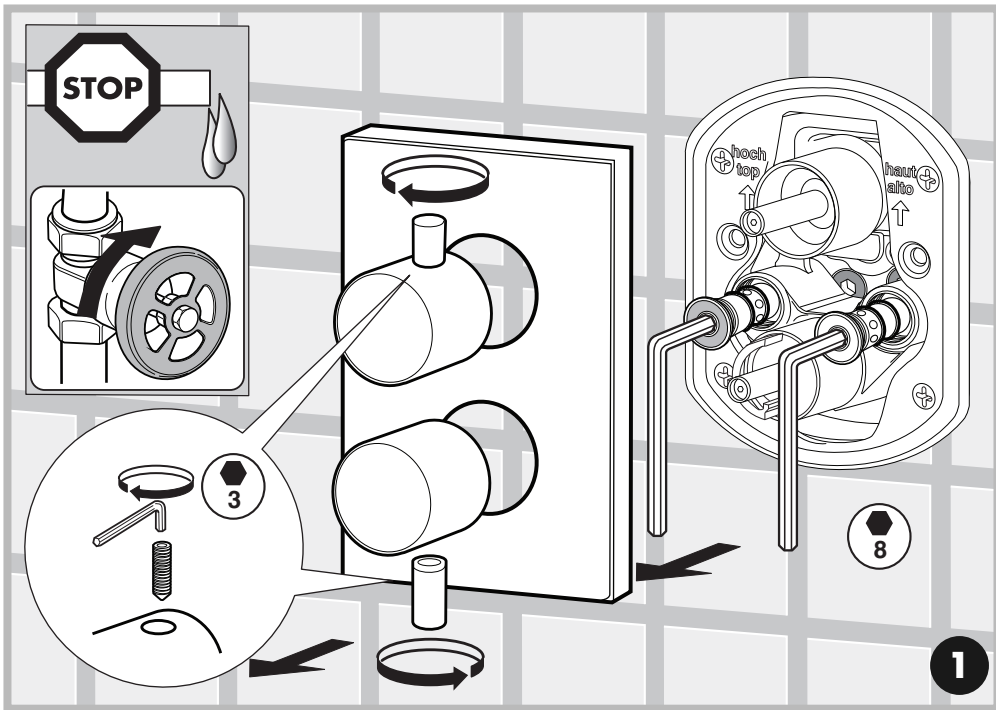
11

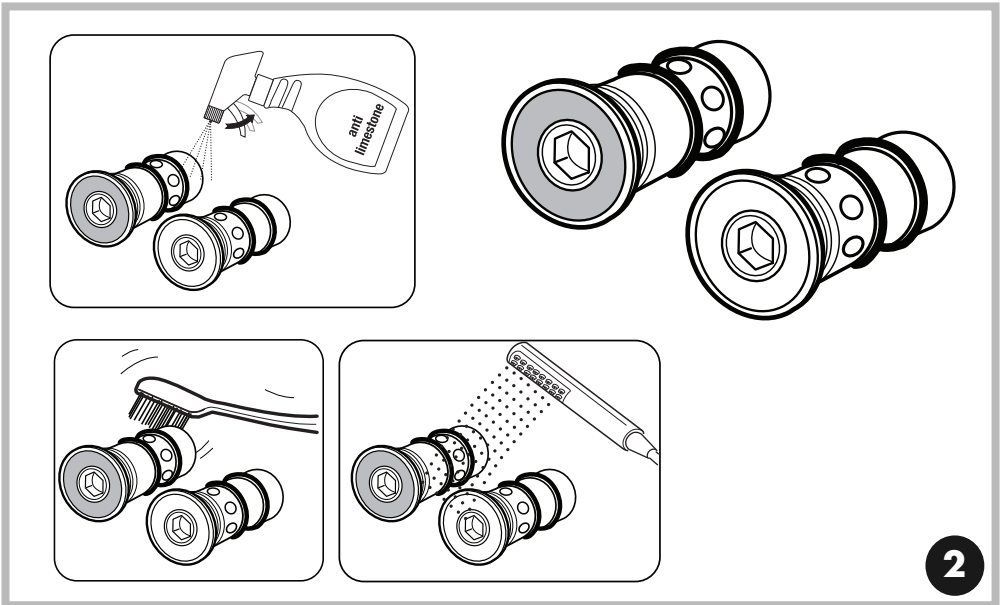
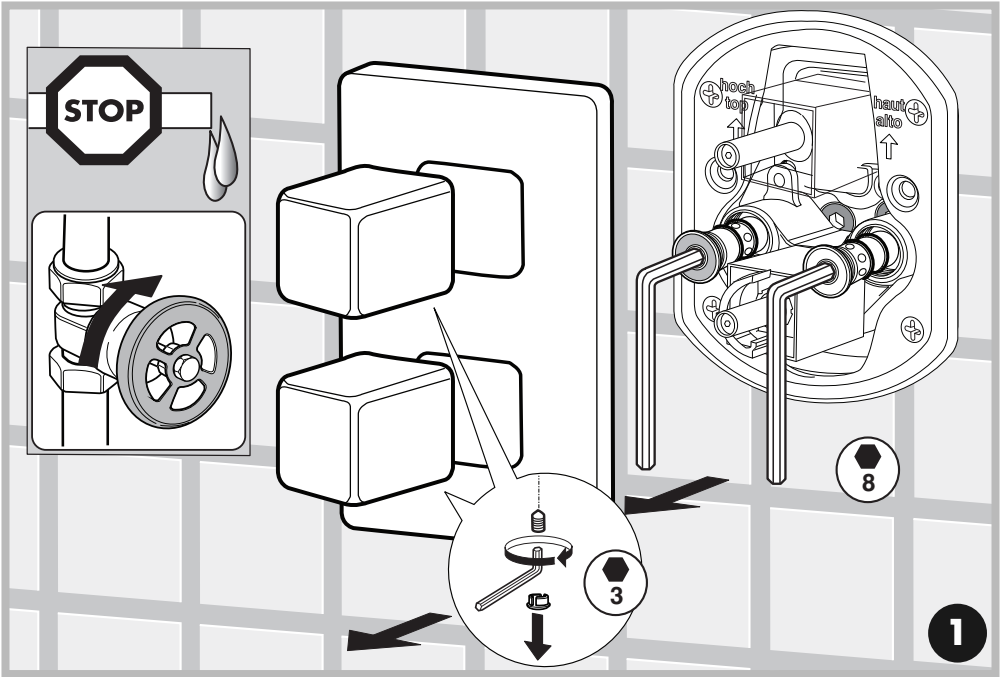


8A



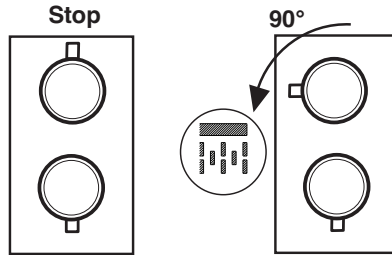
8B



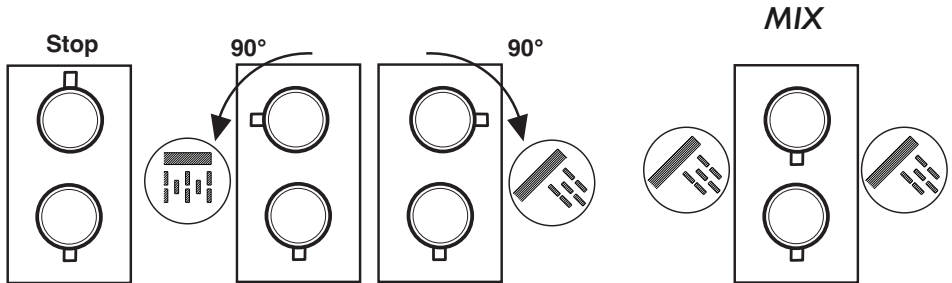




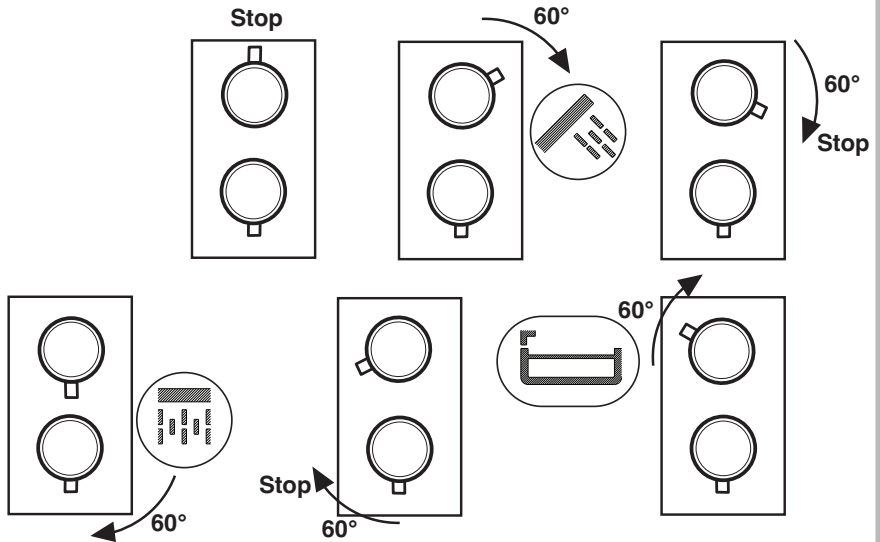
**THERMOSTATIC 1 WAY**



**THERMOSTATIC 2 WAYS**

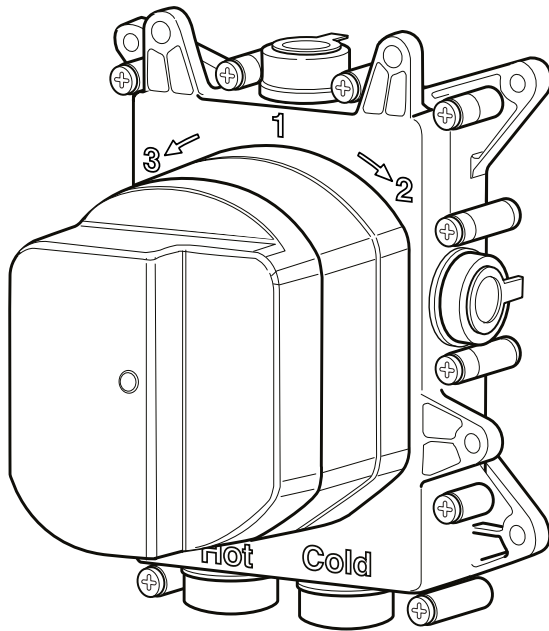


**THERMOSTATIC 3 WAYS**







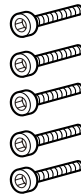
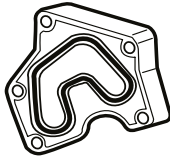
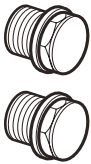
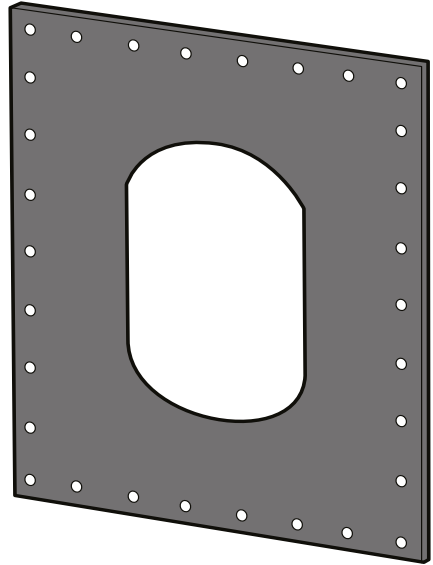
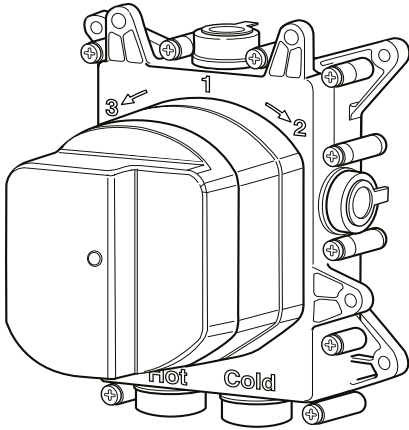


## ***Concealed Box***

### ***Mounting Instructions***

# 1

## PACKAGE CONTENT



Mounting instructions



*Pressure range min/max 0,5/5 bar  
(in case of water pressure higher than 5 bar we recommend installing pressure reducers).*

*Recommended pressure 3 bar.*

*Operation:*

*Either with gas or electric accumulation boilers.*

*Centralised systems.*

---

*Safety lock at:* 41° C

*Min. Working temperature:* 3° C

*Min. recommended:* 15° C

*Max. Working temperature:* 70° C

*Max. recommended:* 65° C

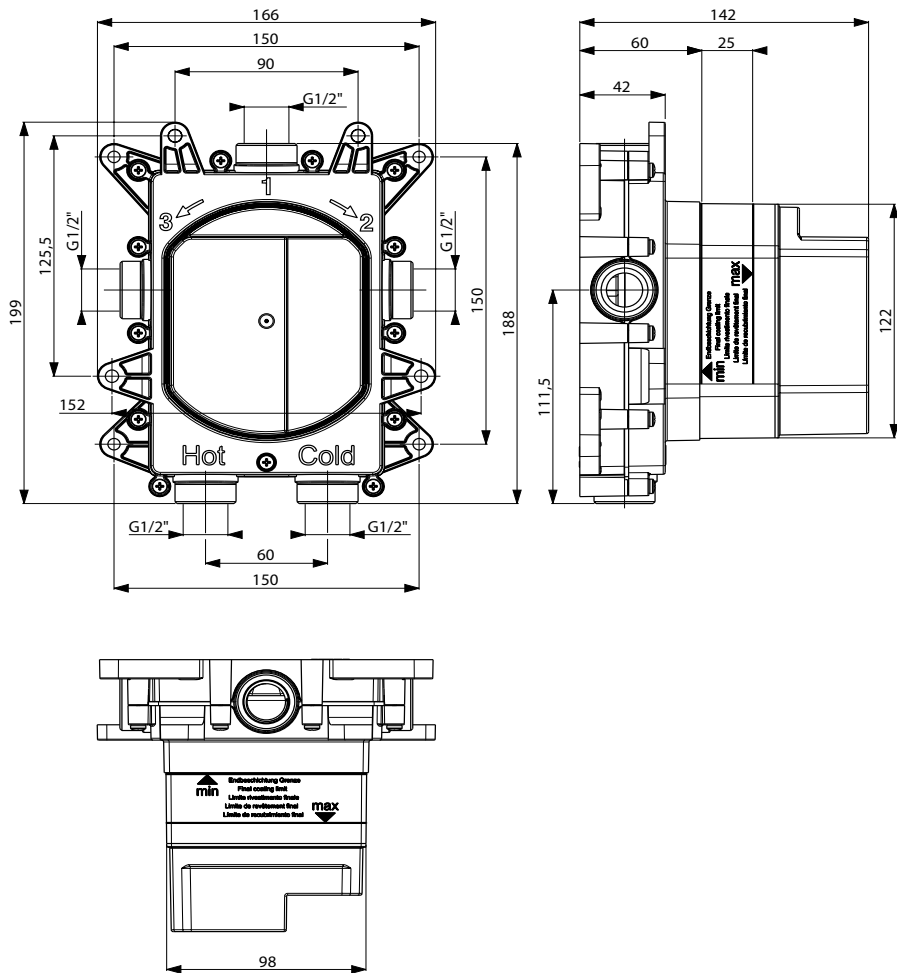
*Recommended thermal differential* 50° C

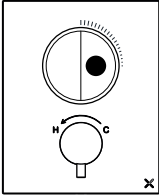
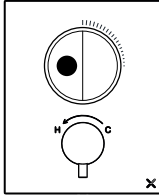
*Thermal disinfection is allowed.*

Safety system with flow stop in case of lack of one of the two waters.

---

**Warning: contact the plumber for the choice of the best water heating device.**

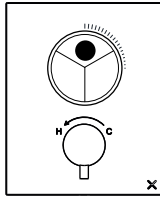


Press.	FLOW RATE ( L/min )				
Push button 2 ways					
bar	 Exit 1		 Exit 2		
	min.	max.	min.	max.	
	0,5	1,5	7,5	1,5	7,5
	1	2,3	11,3	2,3	11,2
	2	3,5	16,5	3,5	16
	3	4,5	20,5	4,5	20
	4	5,5	23,7	5,2	22,8
	5	5,7	26,5	5,7	25,5

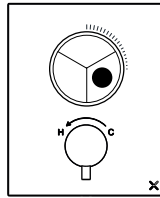
**Press.**

**FLOW RATE ( L/min )**

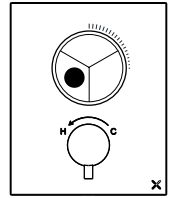
Push button 3 ways



Exit 1



Exit 2



Exit 3

bar

min. max.

min. max.

min. max.

0,5

1,8 8,1

1,8 7,7

1,8 7,7

1

2,7 11,8

2,6 11,5

2,6 11,5

2

3,9 16,8

3,9 16,7

3,9 16,7

3

4,8 20,7

4,8 20,5

4,8 20,5

4

5,5 24

5,5 23,7

5,5 23,7

5

6,2 26,7

6,2 26,6

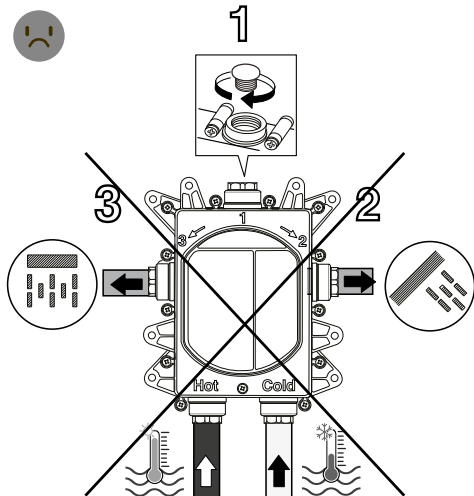
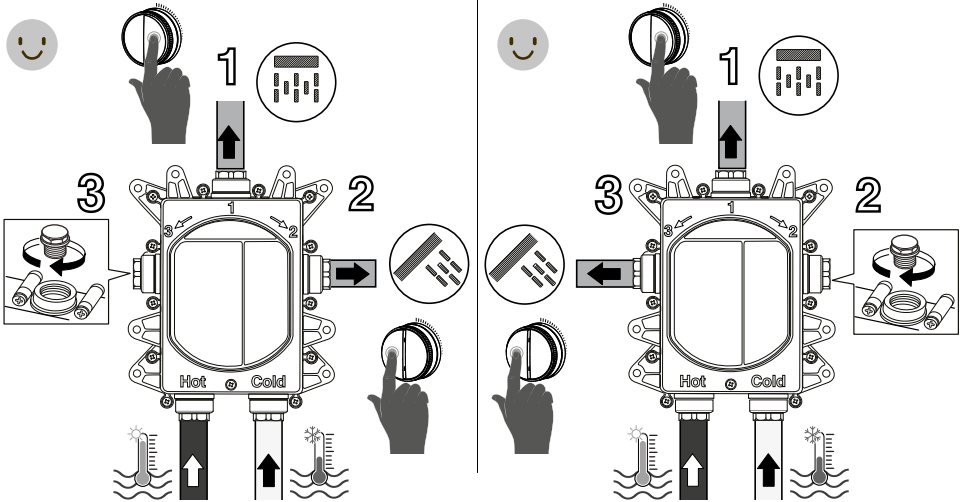
6,2 26,6



## 2 WAYS - ONLY PUSH VERSION



**ATTENTION:**  
indications valid only  
for PUSH VERSION!



**3 WAYS - ONLY PUSH VERSION**

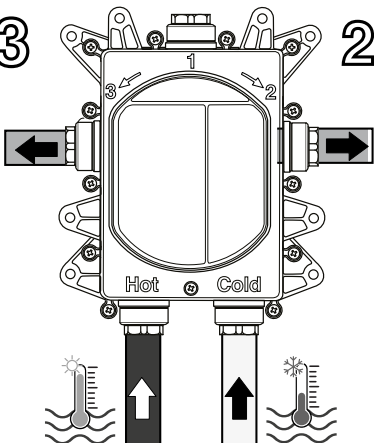
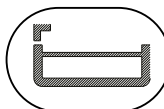
**ATTENTION:**  
indications valid only  
for PUSH VERSION!



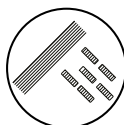
1



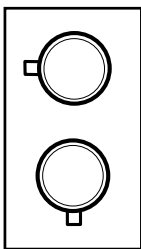
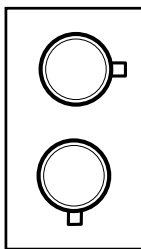
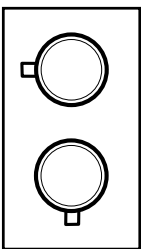
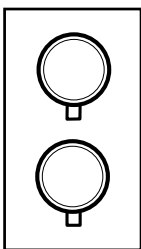
3



2



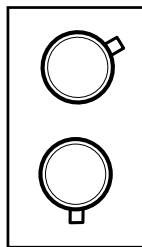


Press.	FLOW RATE ( L/min )			
	Term. 1 way	Term. 2 way		
				
bar	Exit 1/2/3	Exit 2	Exit 3	Mix
0,5	8,2	8,2	8,2	9,2
1	11,7	11,7	11,7	13,2
2	16,7	16,4	16,4	18,7
3	20,7	20	20	22,9
4	24	23	23	26,4
5	26,6	25,8	25,8	29,5

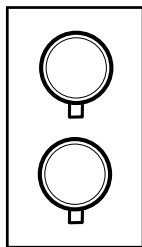
Press.

FLOW RATE ( L/min )

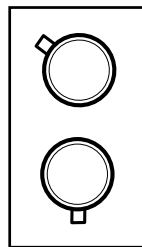
Term. 3 ways



Exit 1



Exit 2



Exit 3

bar

0,5

9,4

8,1

8,1

1

13,4

11,6

11,6

2

19,2

16,6

16,6

3

23,7

20,5

20,5

4

27,4

23,8

23,8

5

30,5

26,6

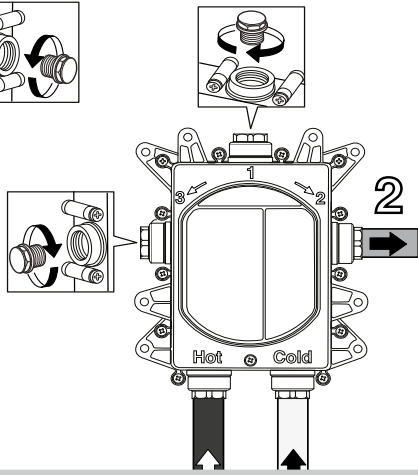
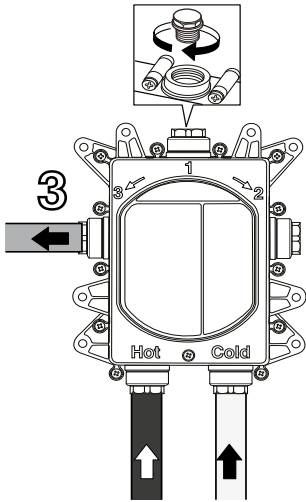
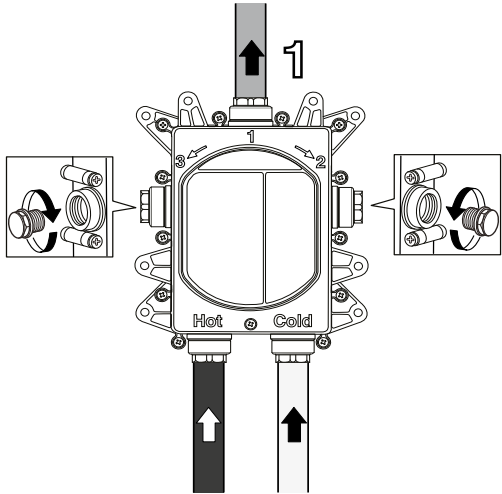
26,6



**ATTENTION:**  
indications valid only  
for **OTHER VERSIONS!**

Use hemp or teflon

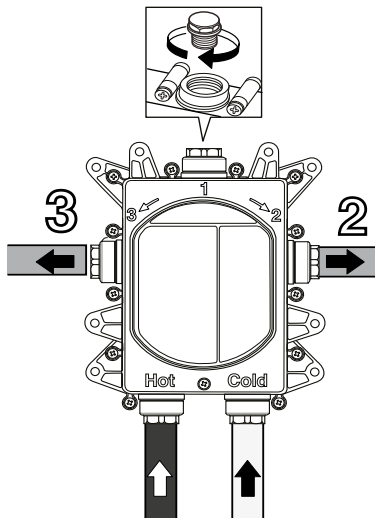
**1 way**



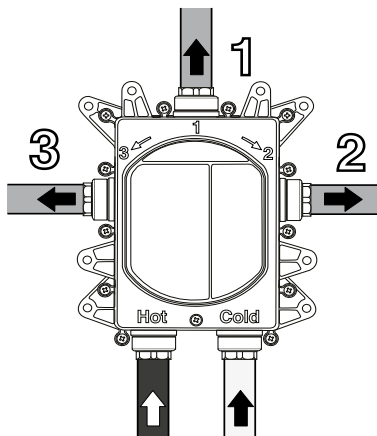


**ATTENTION:**  
indications valid only  
for **OTHER VERSIONS!**

**2 ways**

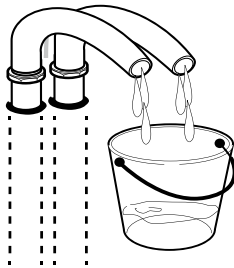
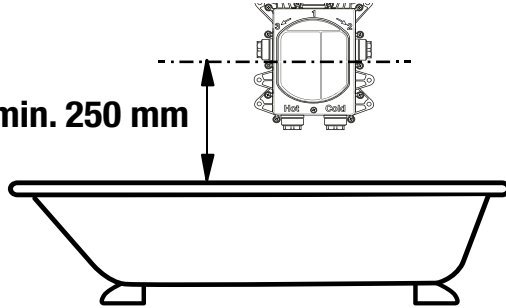


**3 ways**

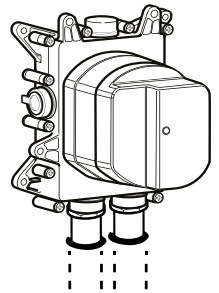
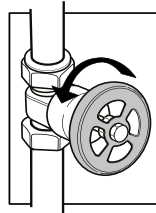


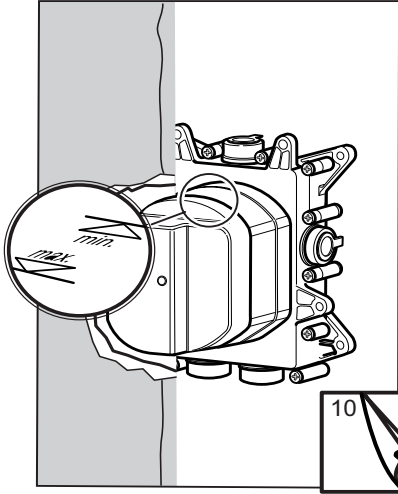


min. 250 mm

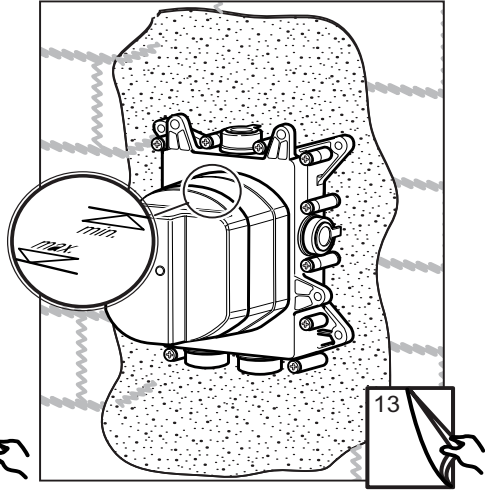


1° → 2°

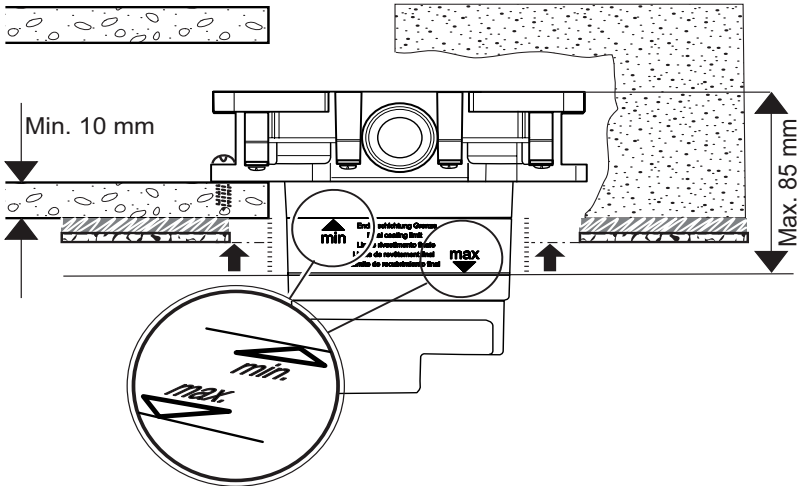


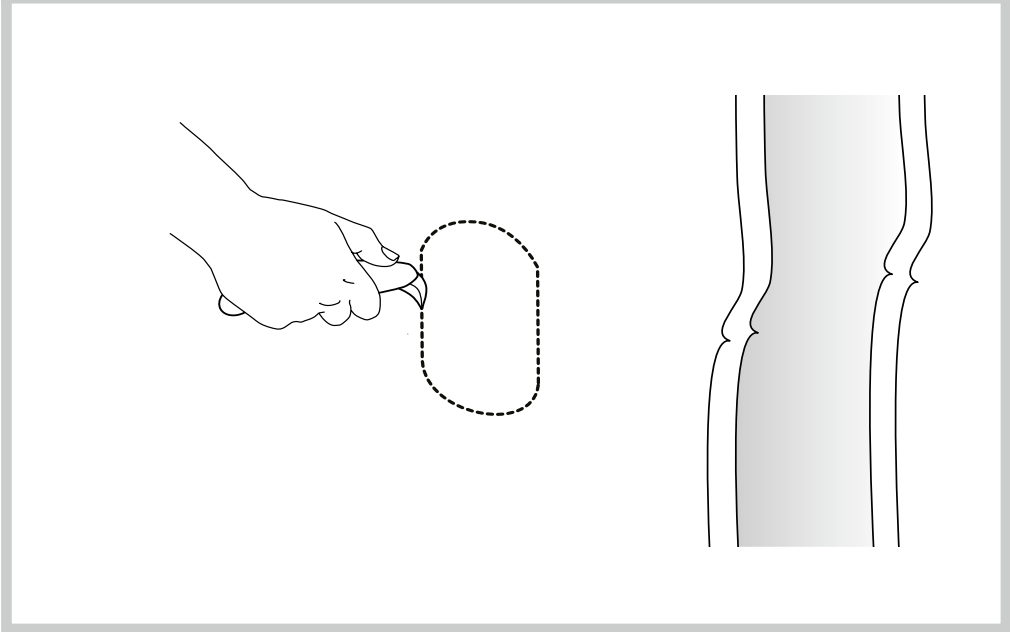
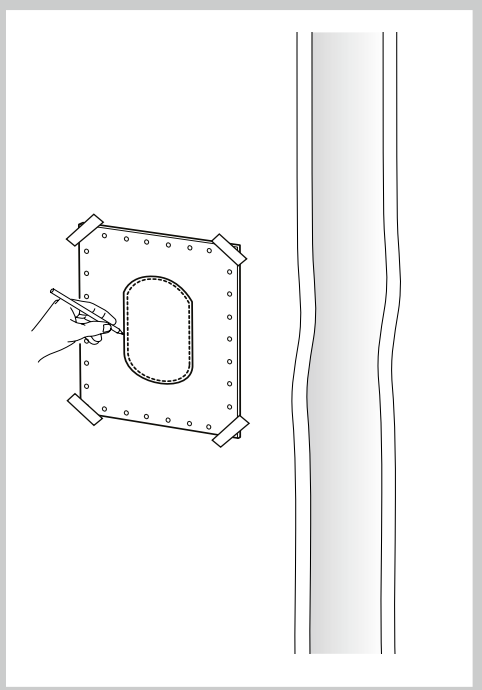
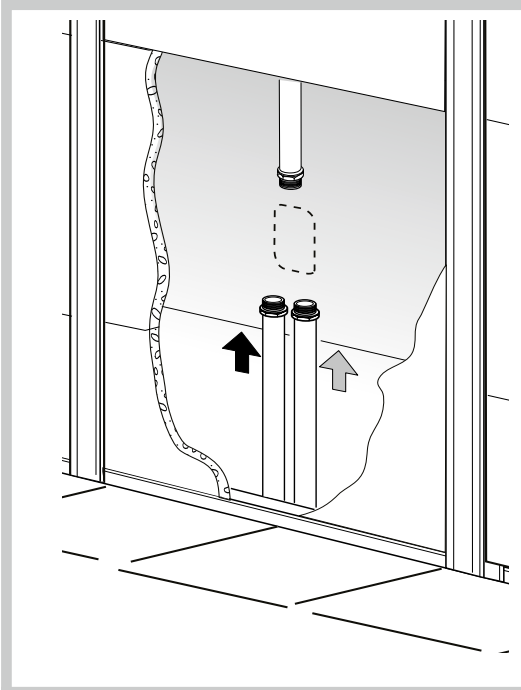


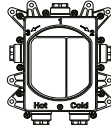
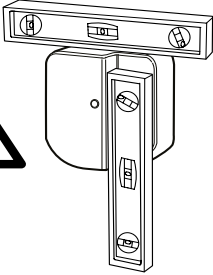
Mounting on plasterboard wall



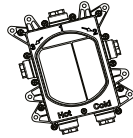
Wall mounting



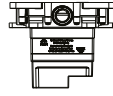




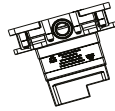
OK



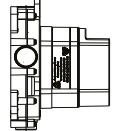
NO



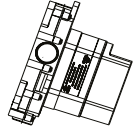
OK



NO



OK



NO

