

## Completion Concealed Box

### Mounting Instructions

Pressure range min/max 0,5/5 bar

(in case of water pressure higher than 5 bar we recommend installing pressure reducers).

Recommended pressure 3 bar.

Operation:

Either with gas or electric accumulation boilers.

Centralised systems.

---

Safety lock at: 41° C

Min. Working temperature: 3° C

Min. recommended: 15° C

Max. Working temperature: 70° C

Max. recommended: 65° C

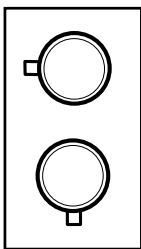
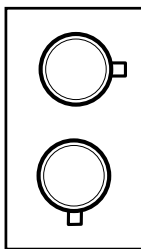
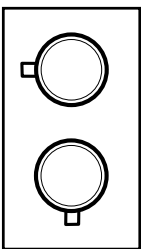
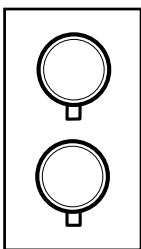
Recommended thermal differential 50° C

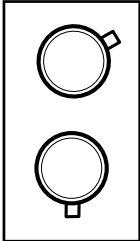
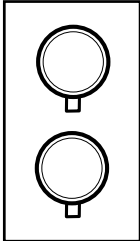
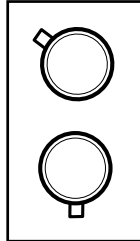
Thermal disinfection is allowed.

Safety system with flow stop in case of lack of one of the two waters.

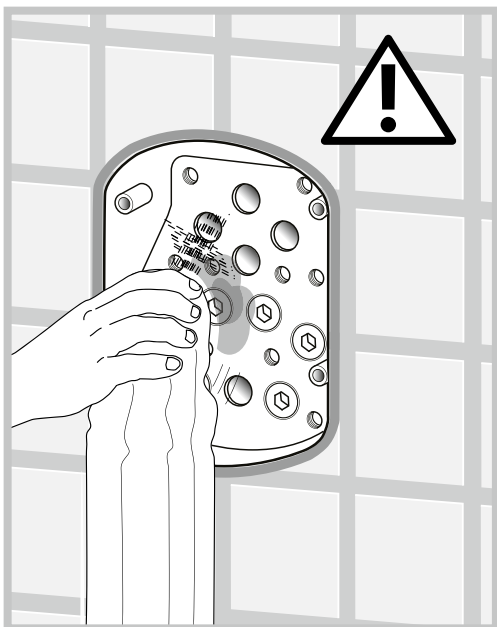
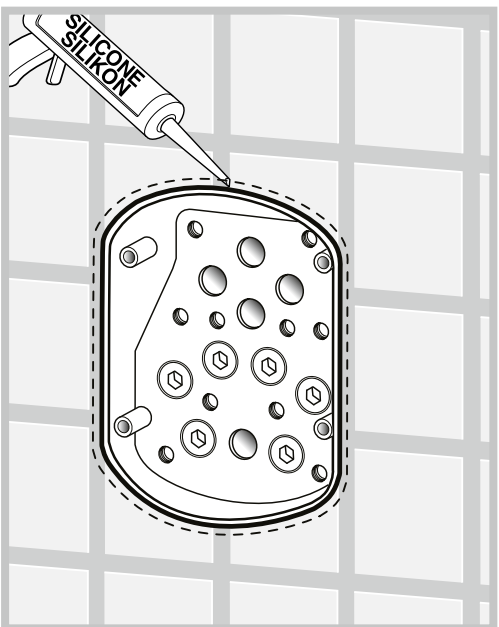
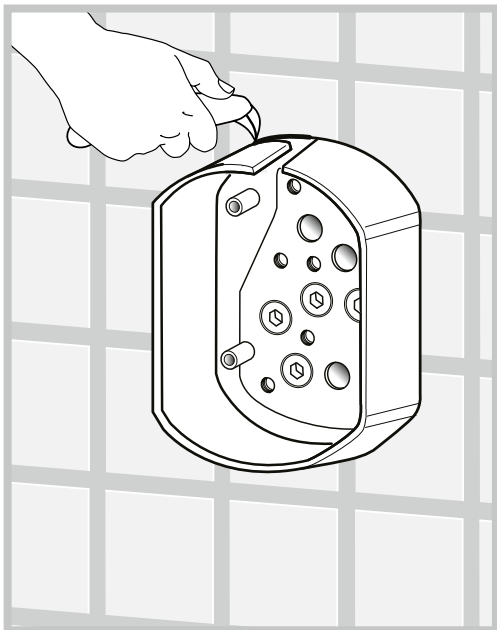
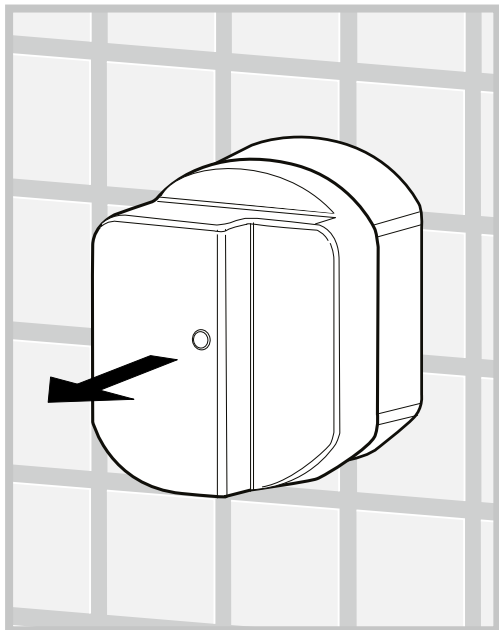
---

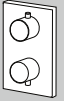
***Warning: contact the plumber for the choice of the best water heating device.***

Press.	FLOW RATE ( L/min )			
	Term. 1 way	Term. 2 way		
				
bar	Exit 1/2/3	Exit 2	Exit 3	Mix
0,5	8,2	8,2	8,2	9,2
1	11,7	11,7	11,7	13,2
2	16,7	16,4	16,4	18,7
3	20,7	20	20	22,9
4	24	23	23	26,4
5	26,6	25,8	25,8	29,5

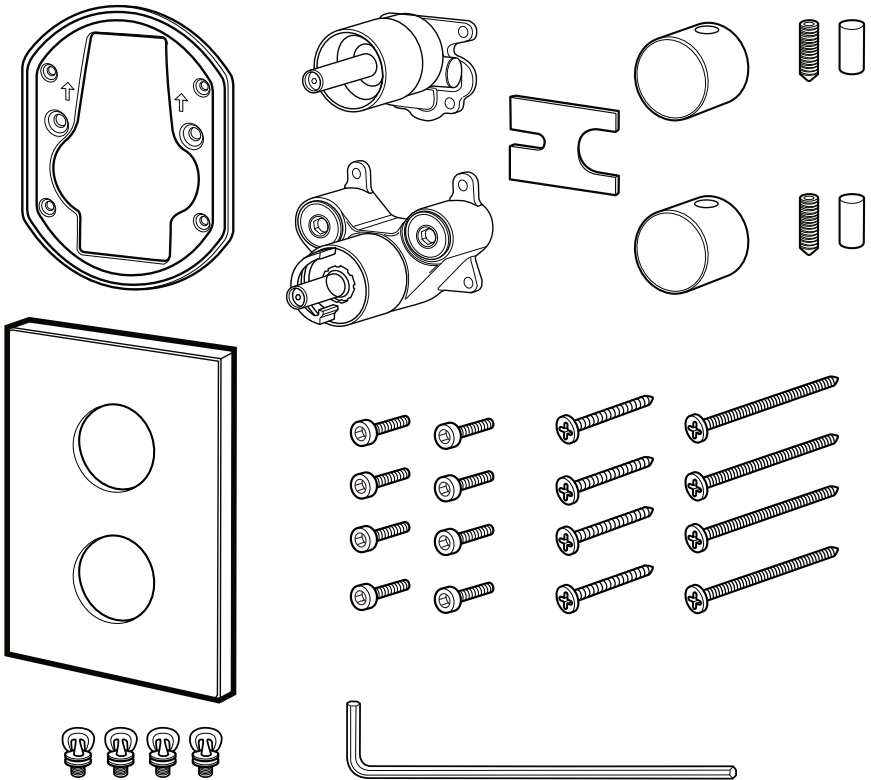
Press.	FLOW RATE ( L/min )		
	Term. 3 ways		
			
bar	Exit 1	Exit 2	Exit 3
0,5	9,4	8,1	8,1
1	13,4	11,6	11,6
2	19,2	16,6	16,6
3	23,7	20,5	20,5
4	27,4	23,8	23,8
5	30,5	26,6	26,6







THERMOSTATIC 1-2-3 WAYS

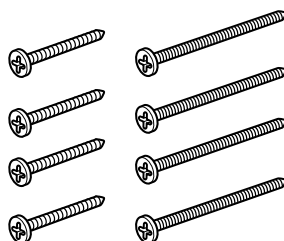
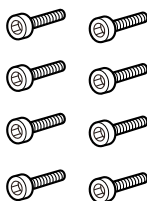
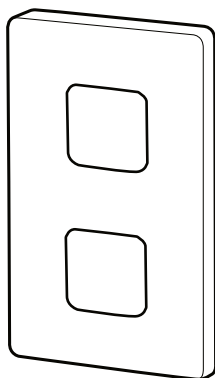
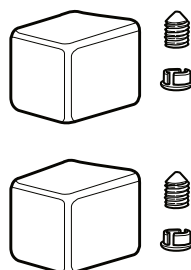
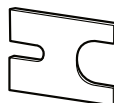
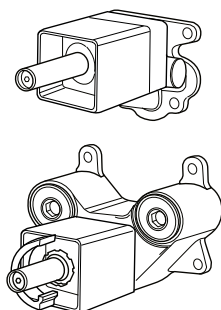
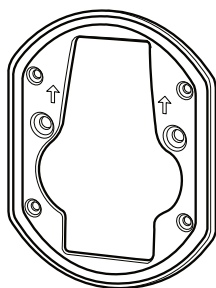


GB Mounting Instructions

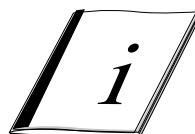




THERMOSTATIC 1-2-3 WAYS

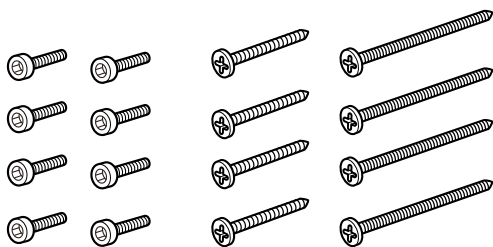
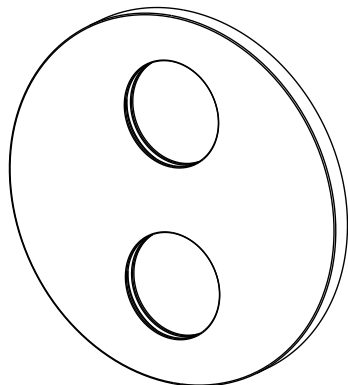
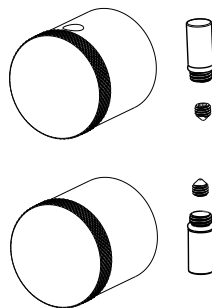
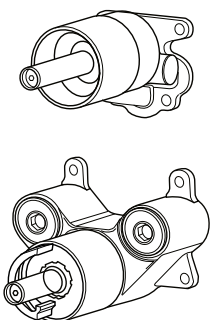
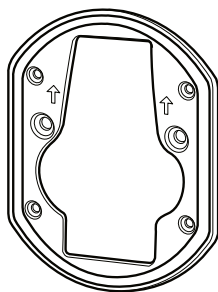


GB Mounting Instructions



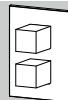


THERMOSTATIC 1-2-3 WAYS

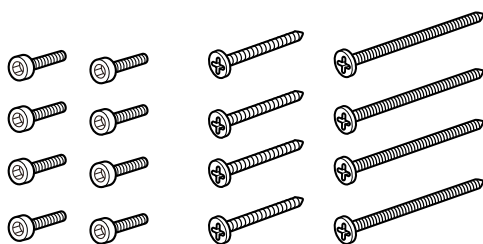
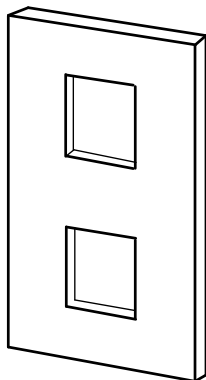
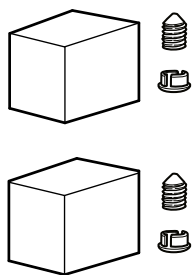
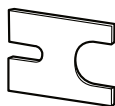
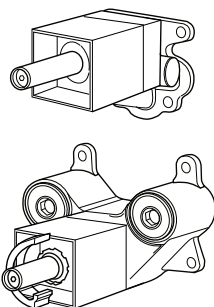
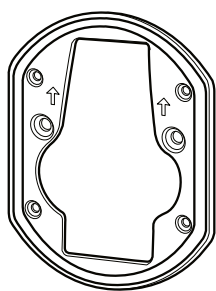


GB Mounting Instructions





THERMOSTATIC 1-2-3 WAYS

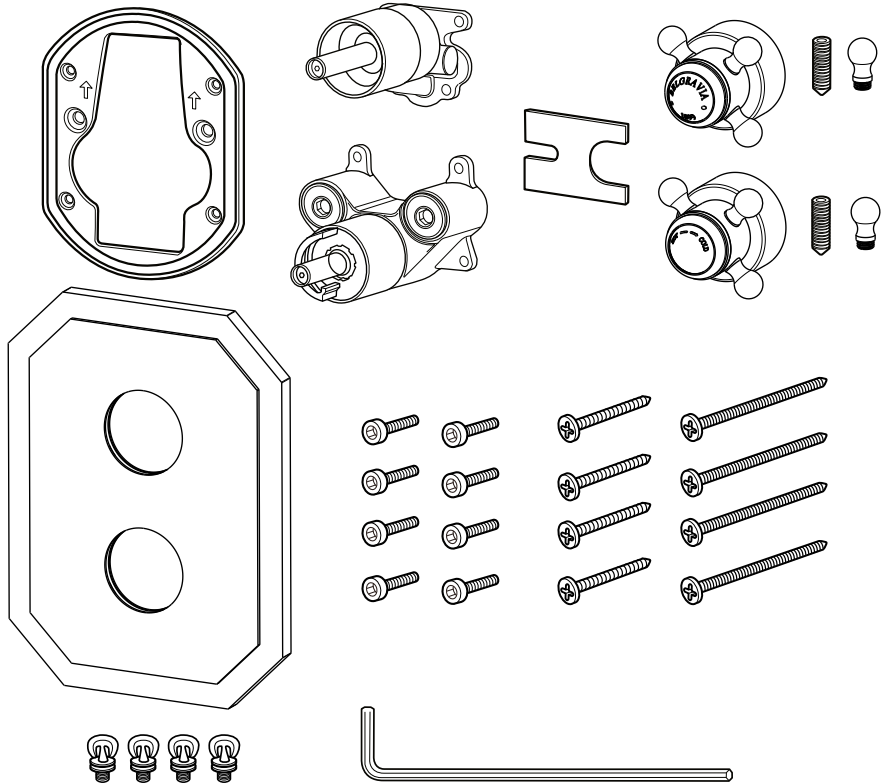


GB Mounting Instructions



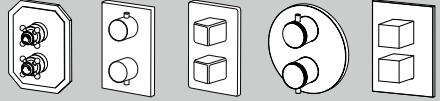


THERMOSTATIC 1-2-3 WAYS

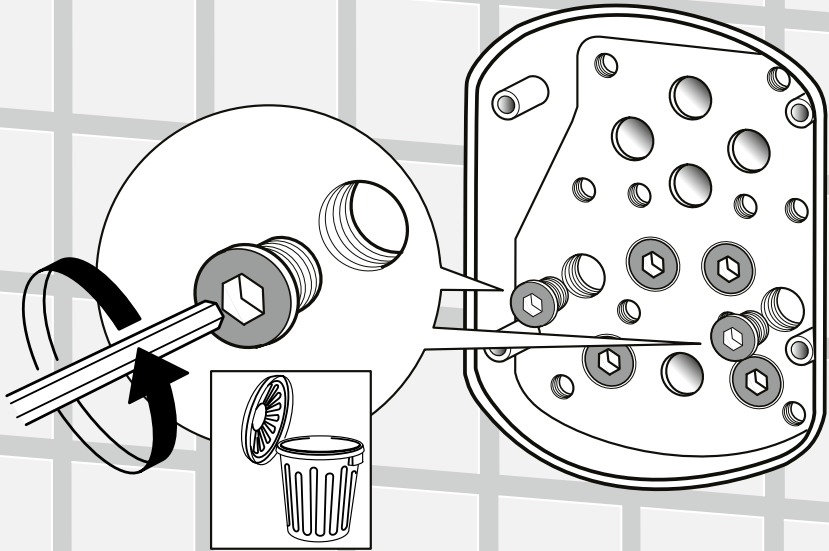


GB Mounting Instructions

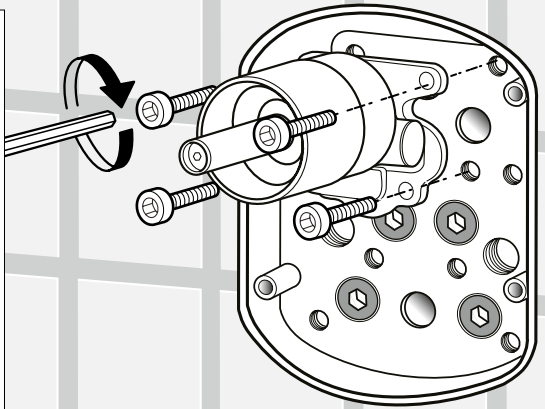
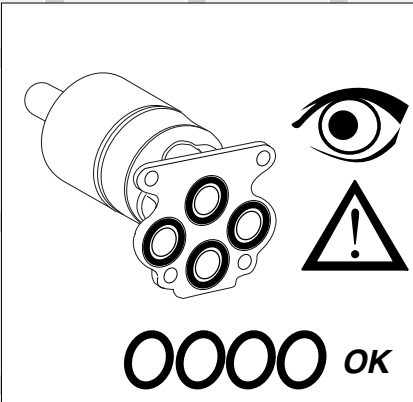


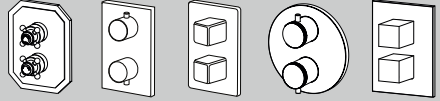


1

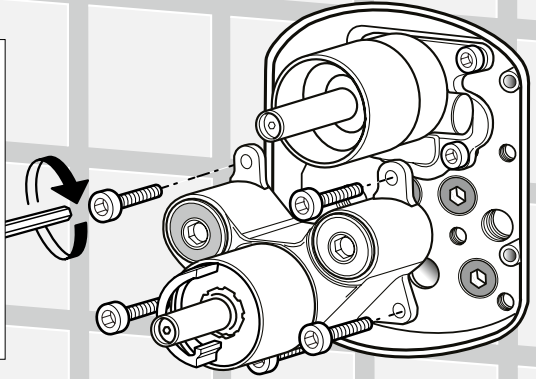
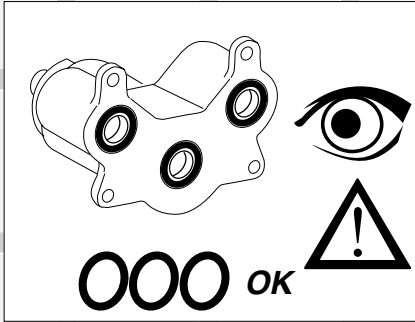


2

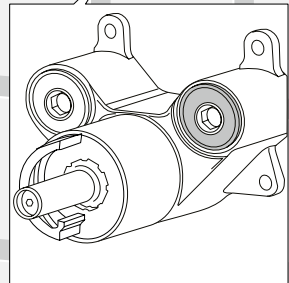
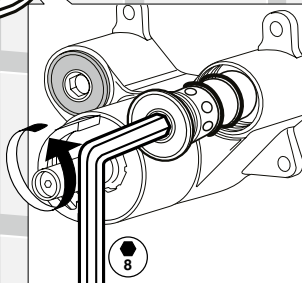
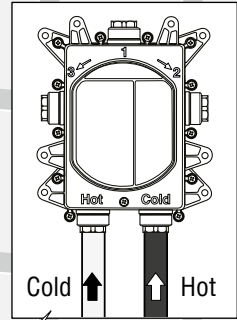
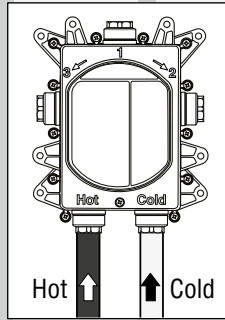
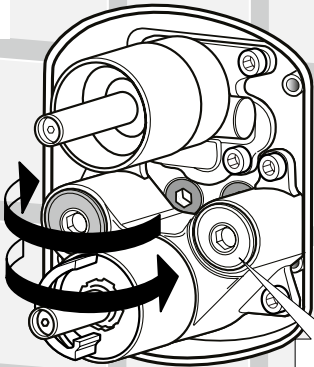




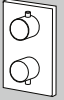
3



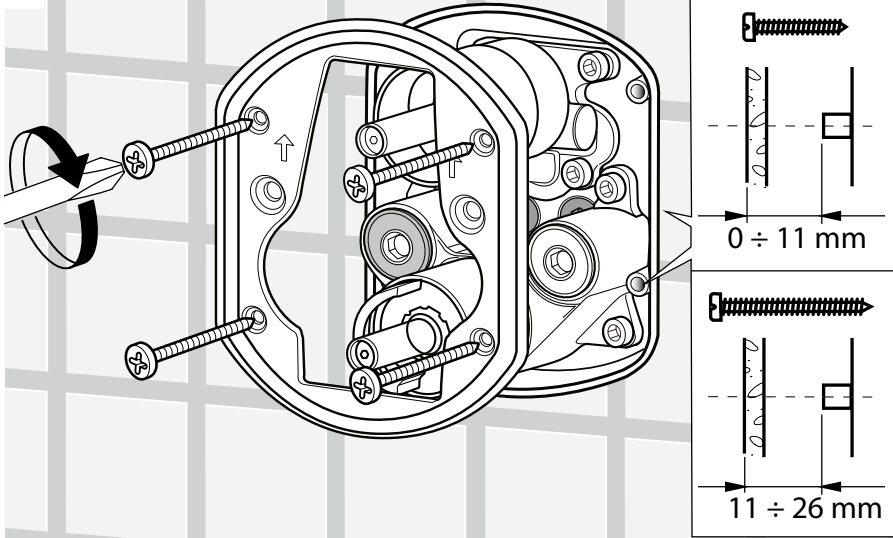
4



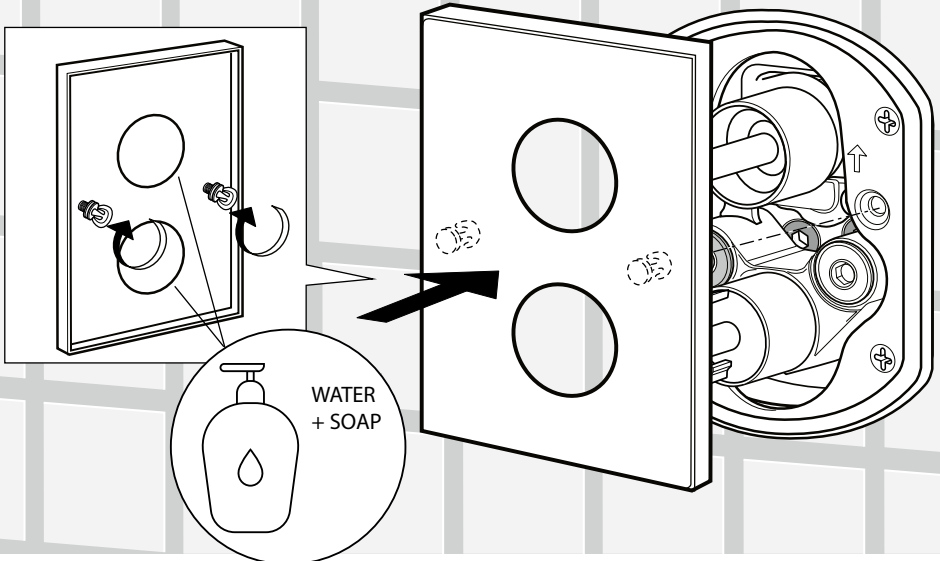


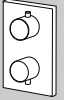


5

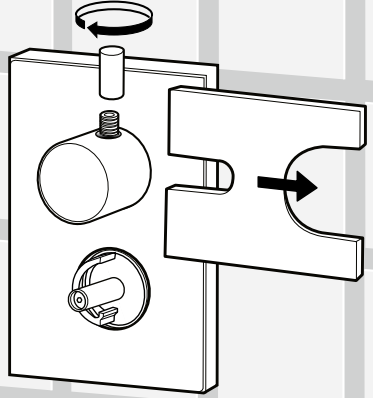
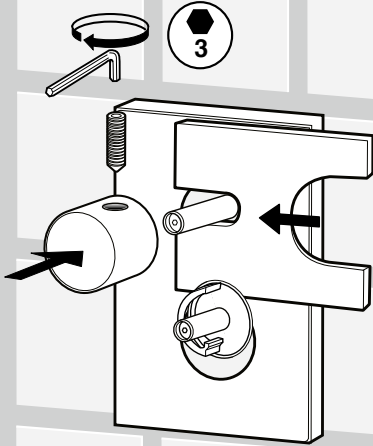


6A

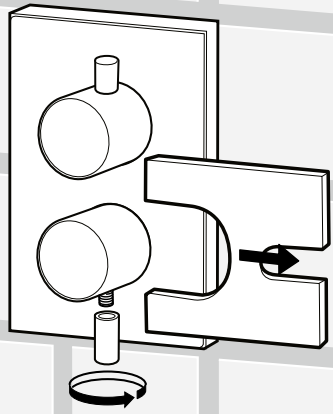
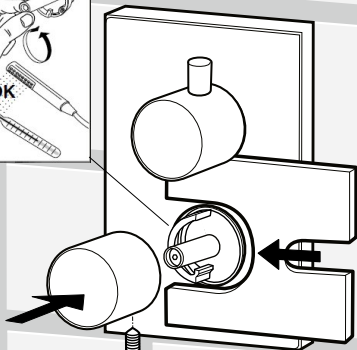


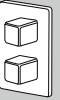


7A

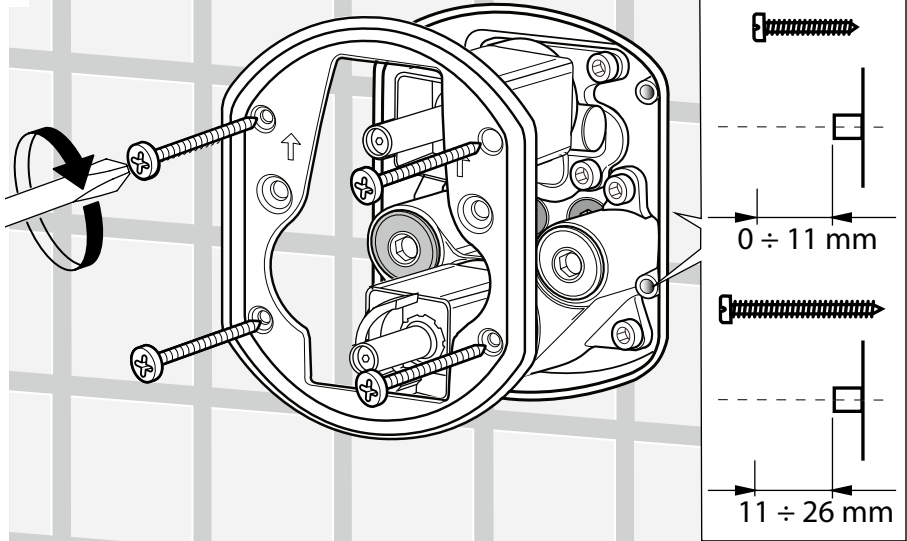


8A

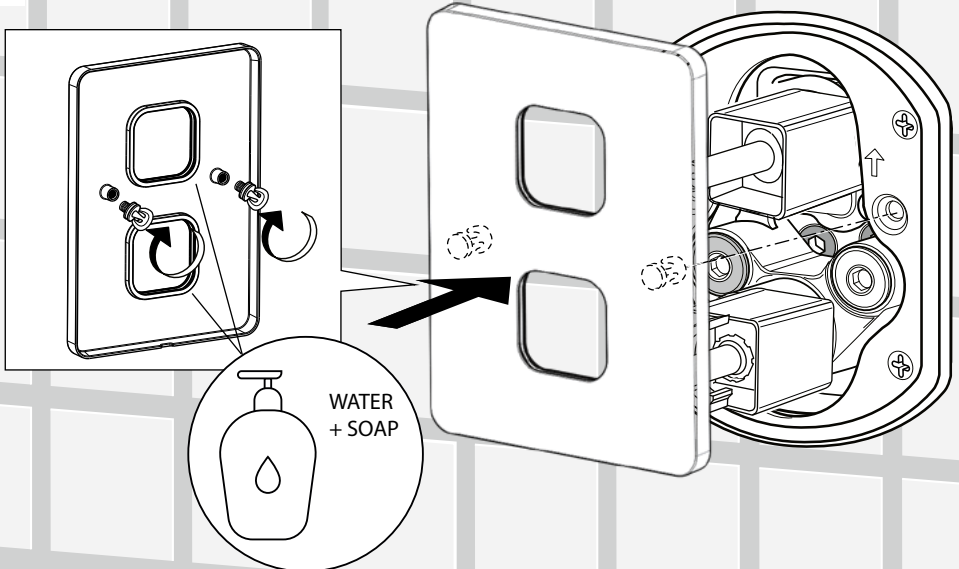


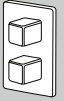


5

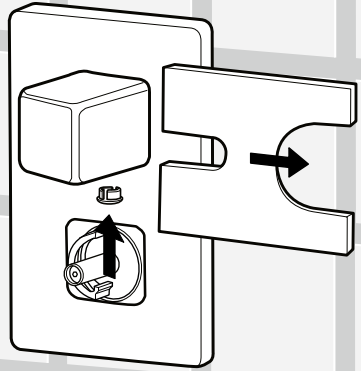
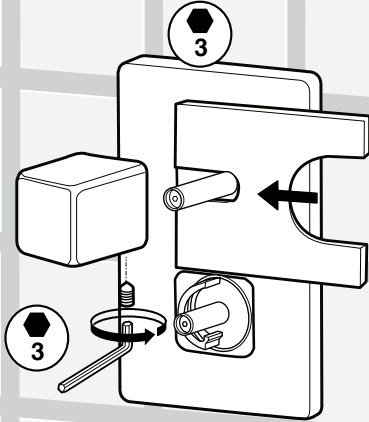


6B

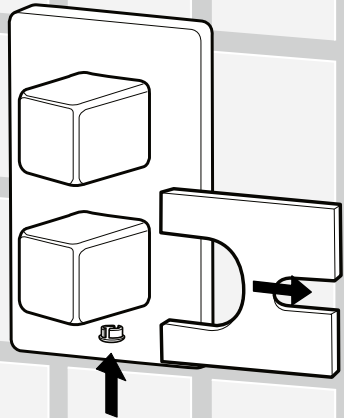
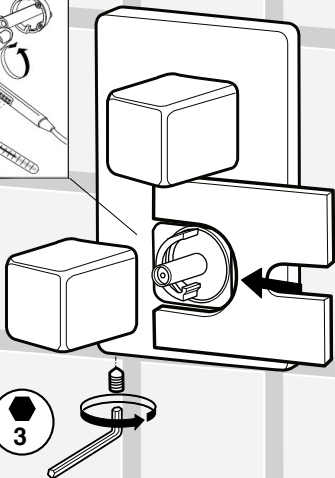




7B

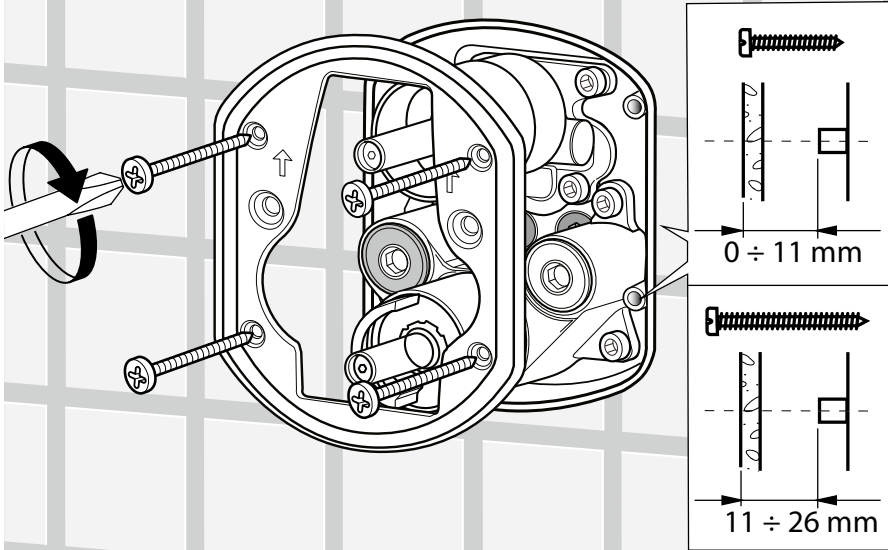


8B

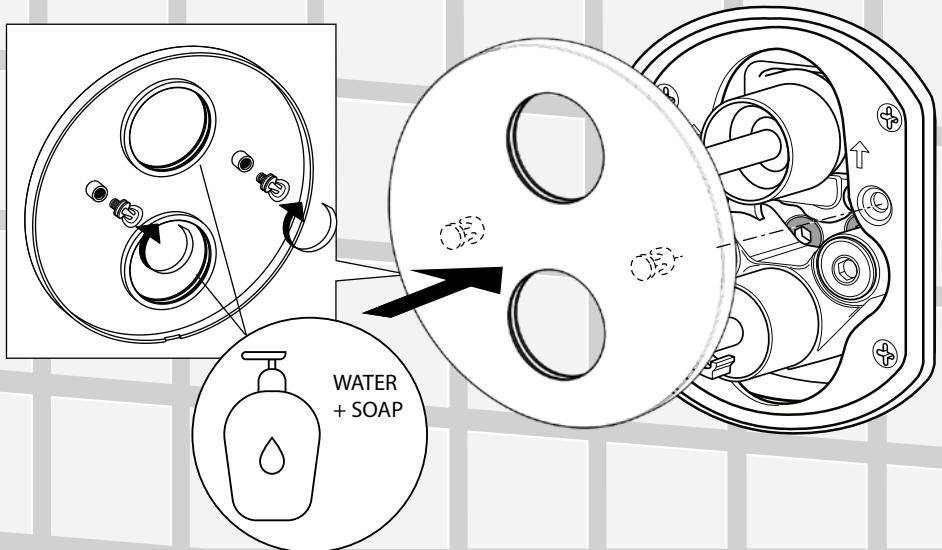




5

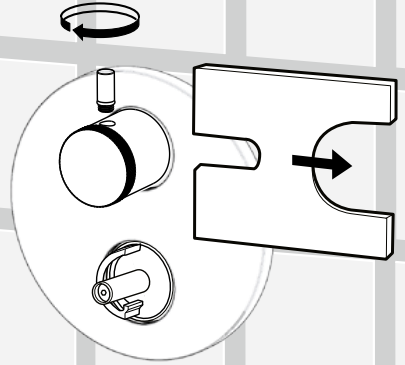
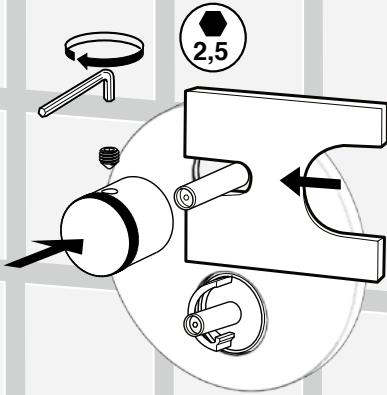


6C

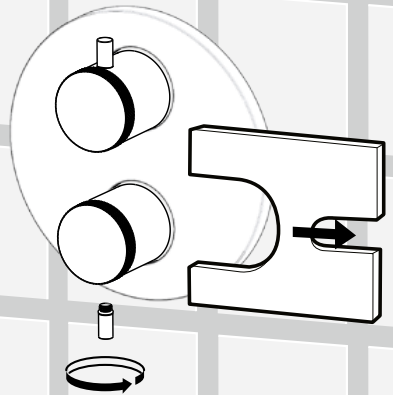
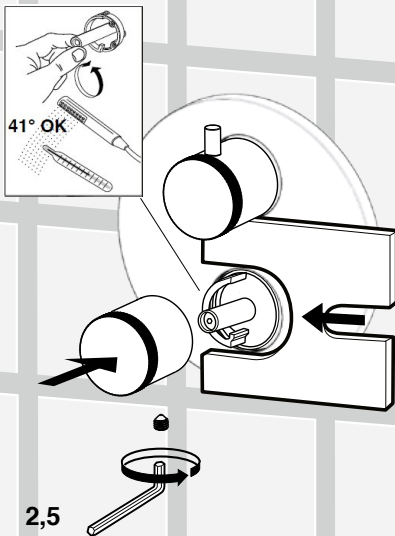


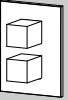


7C

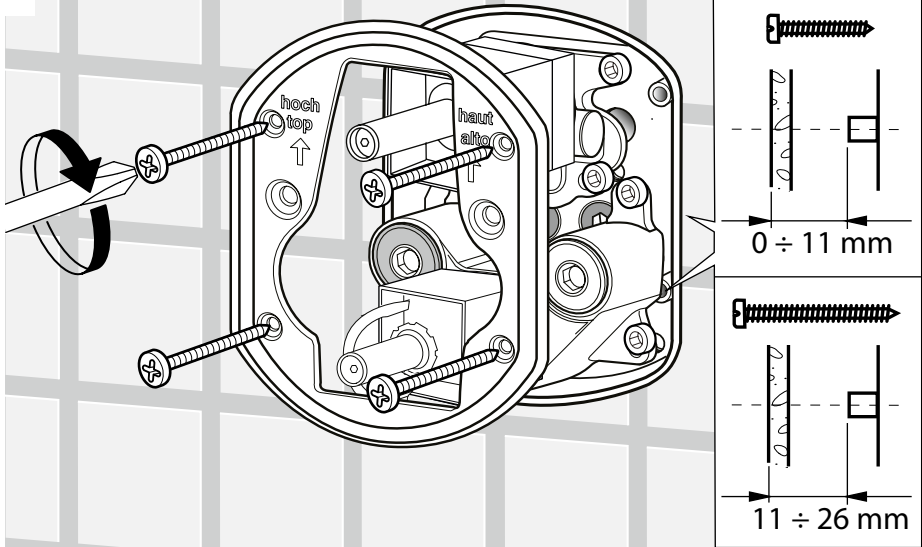


8C

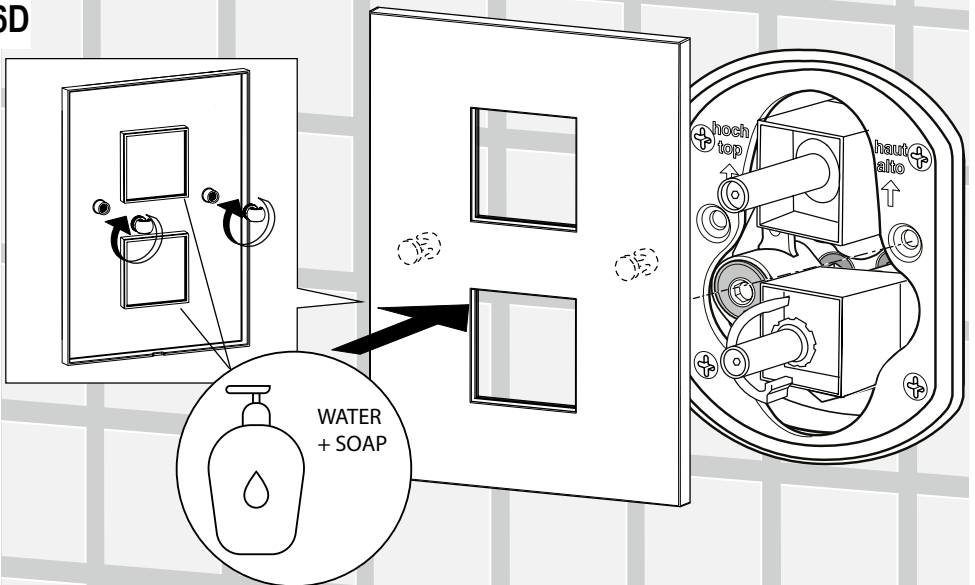


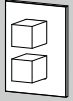


5

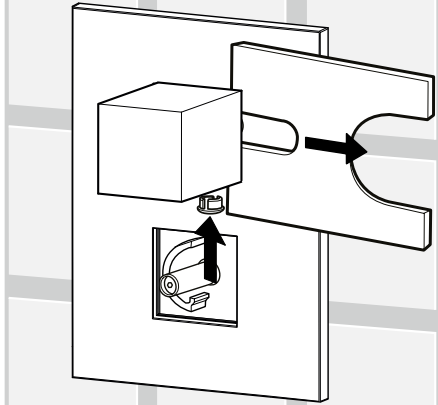
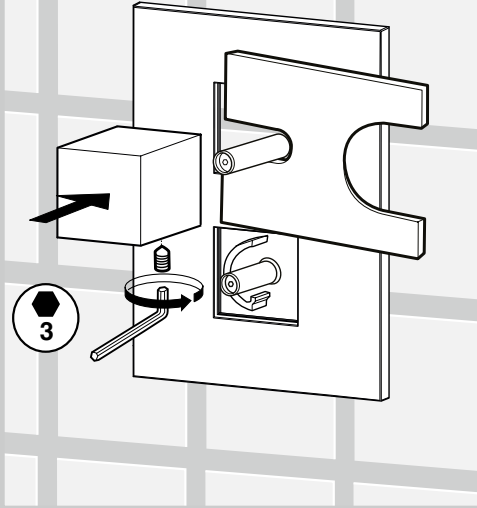


6D

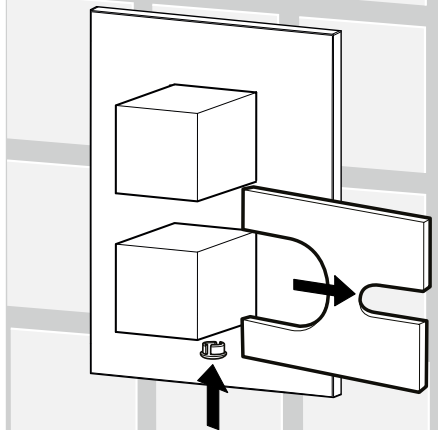
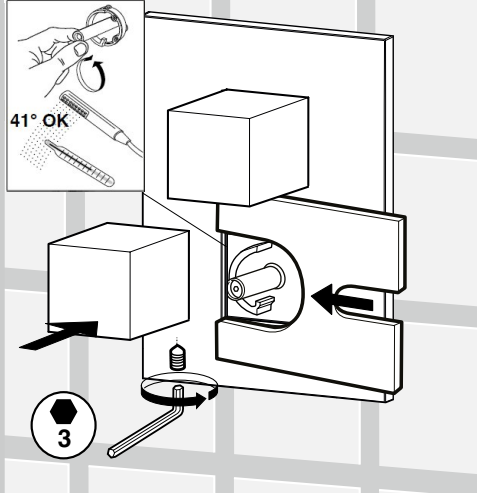




7D



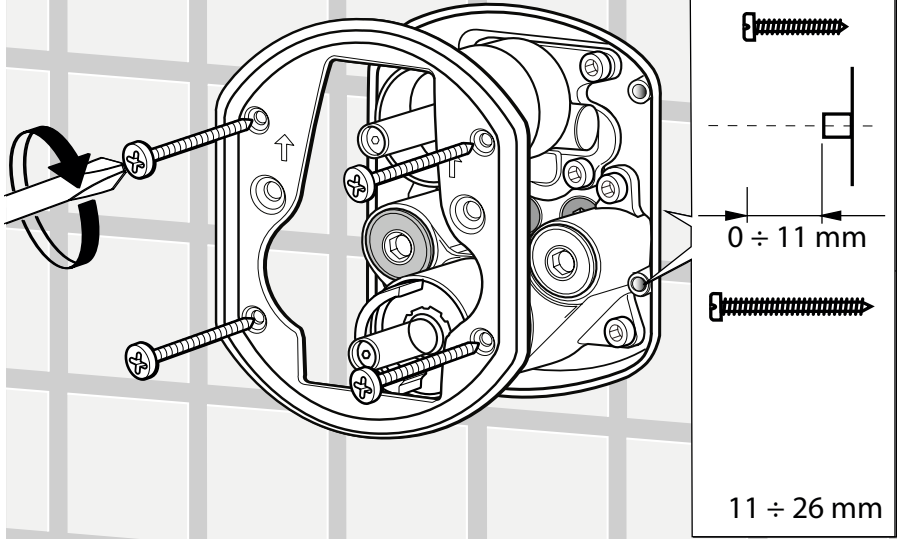
8D



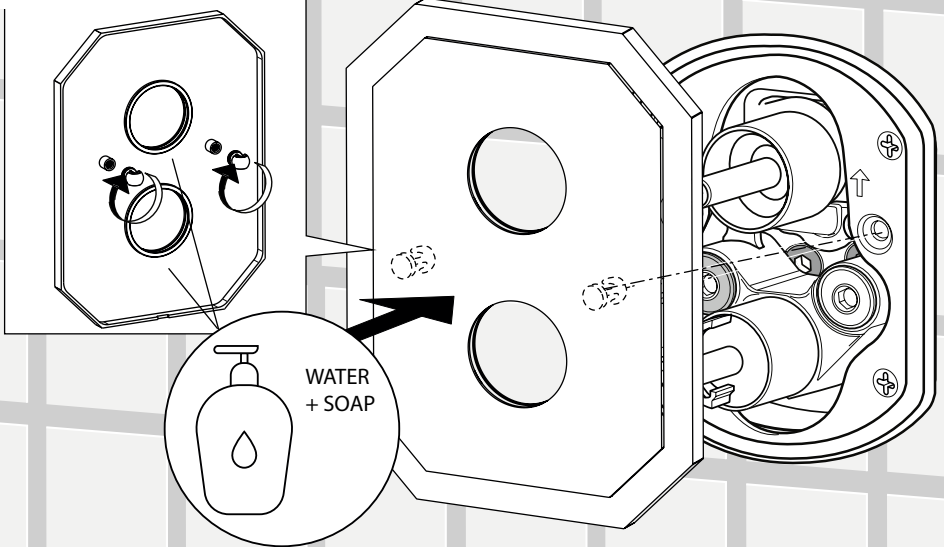




5

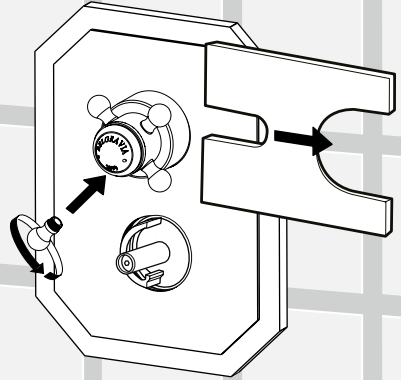
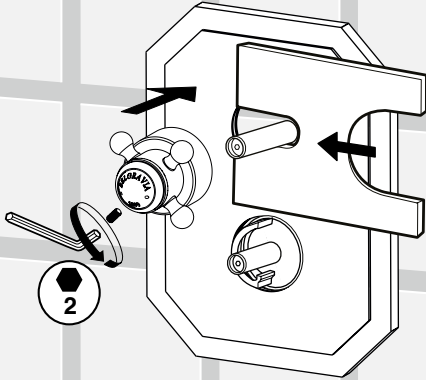


6E

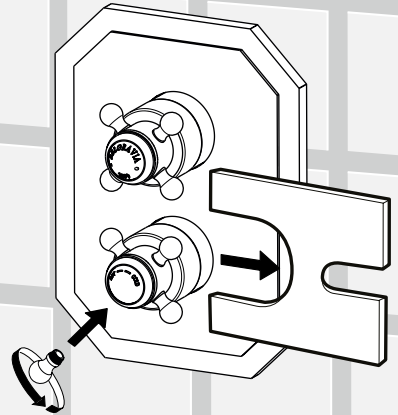
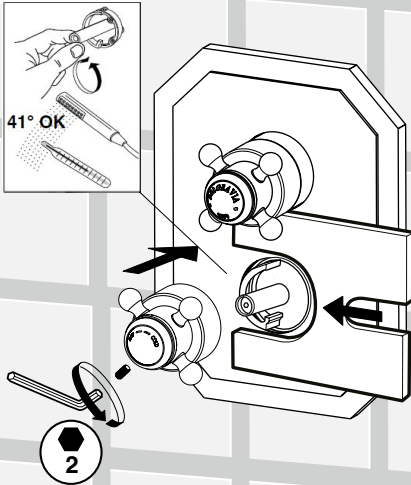


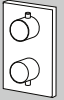


7E

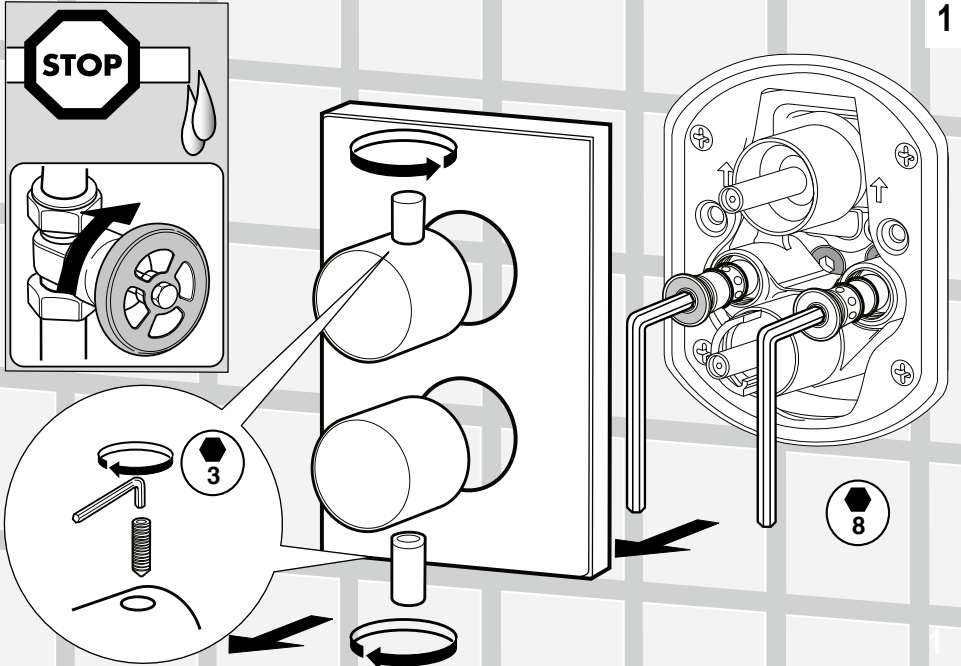


8E

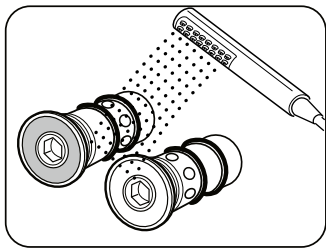
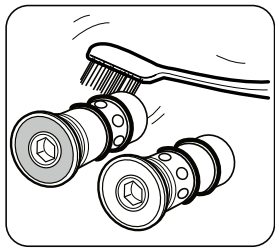
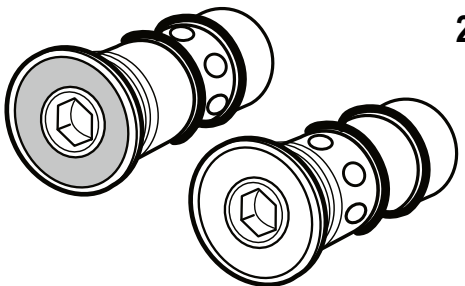
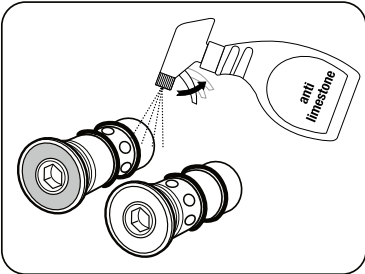


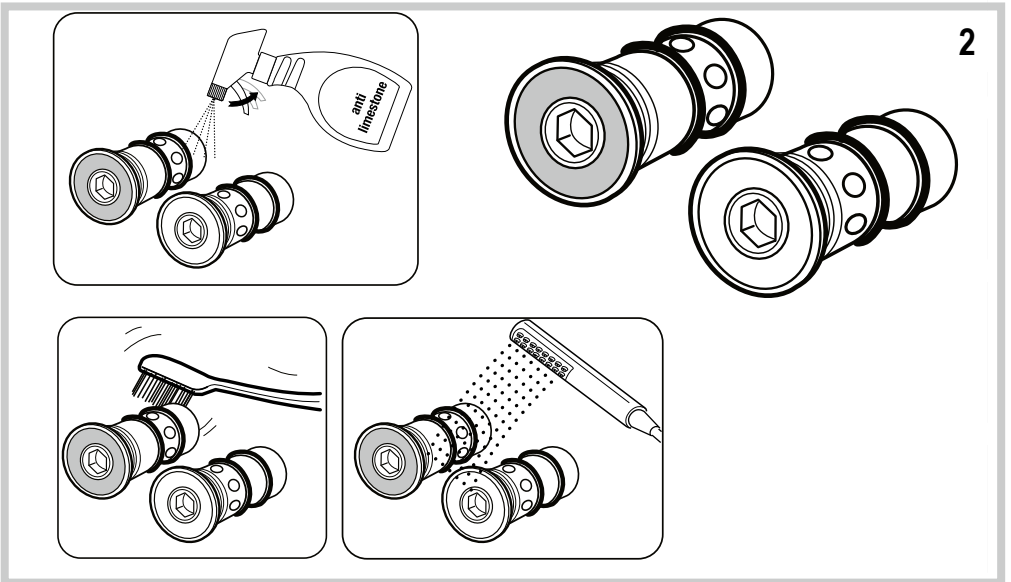
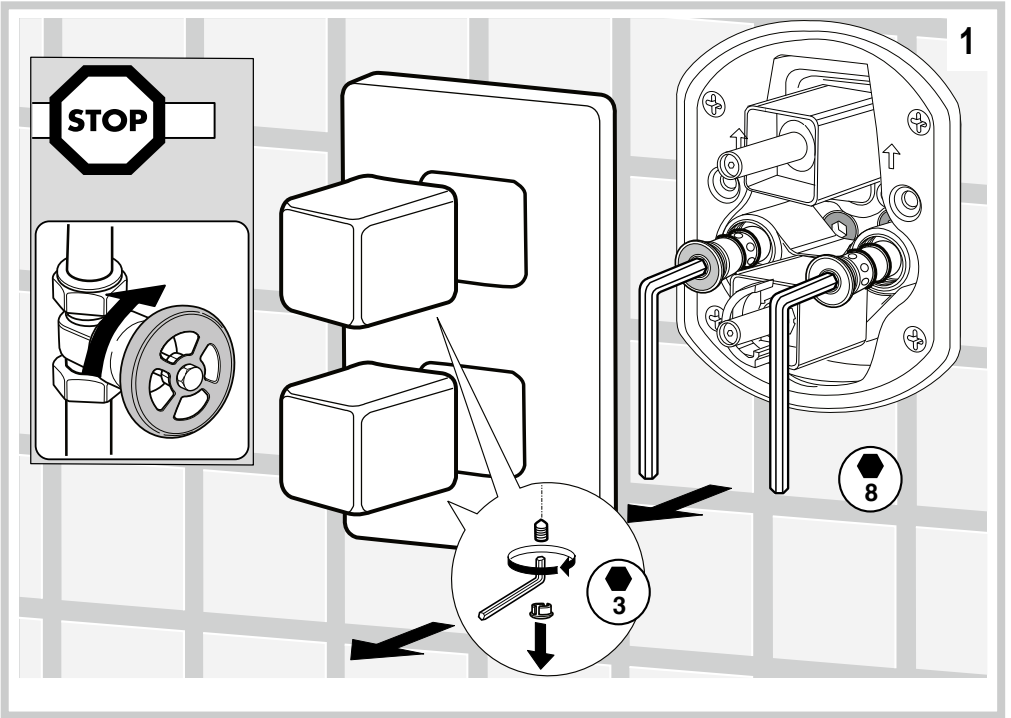
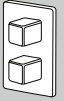


1



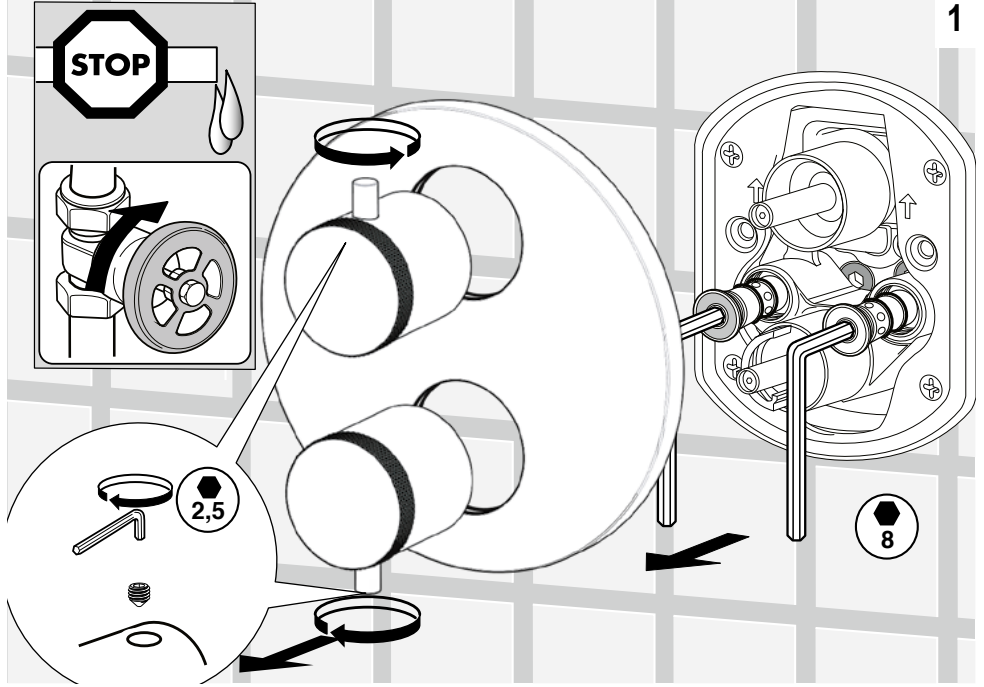
2



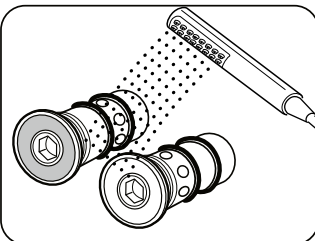
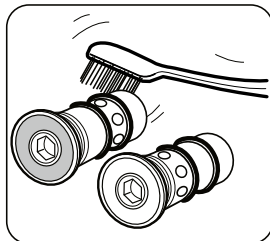
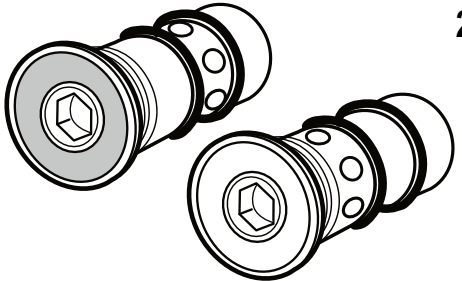
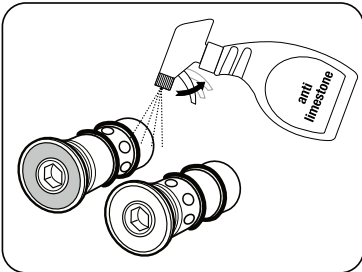


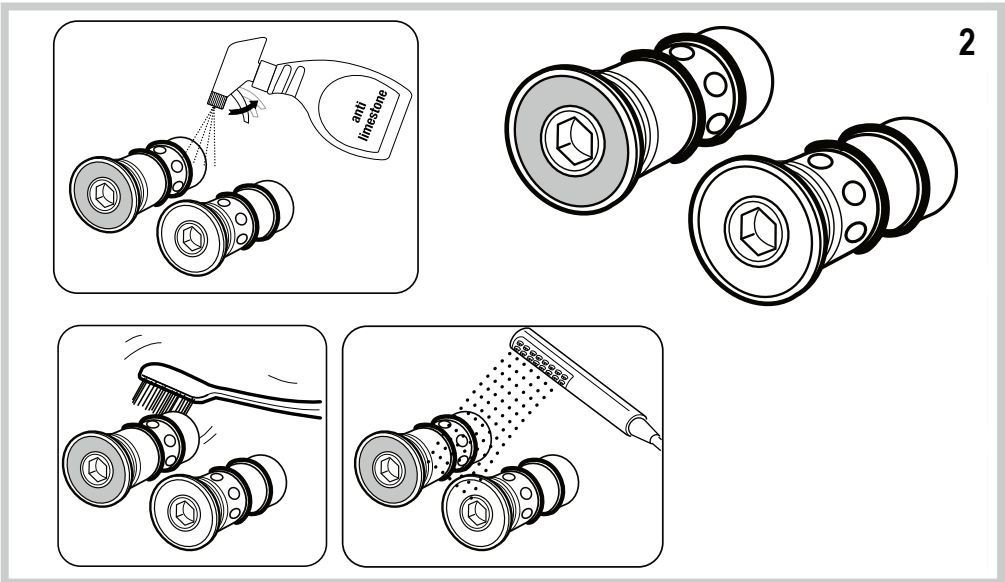
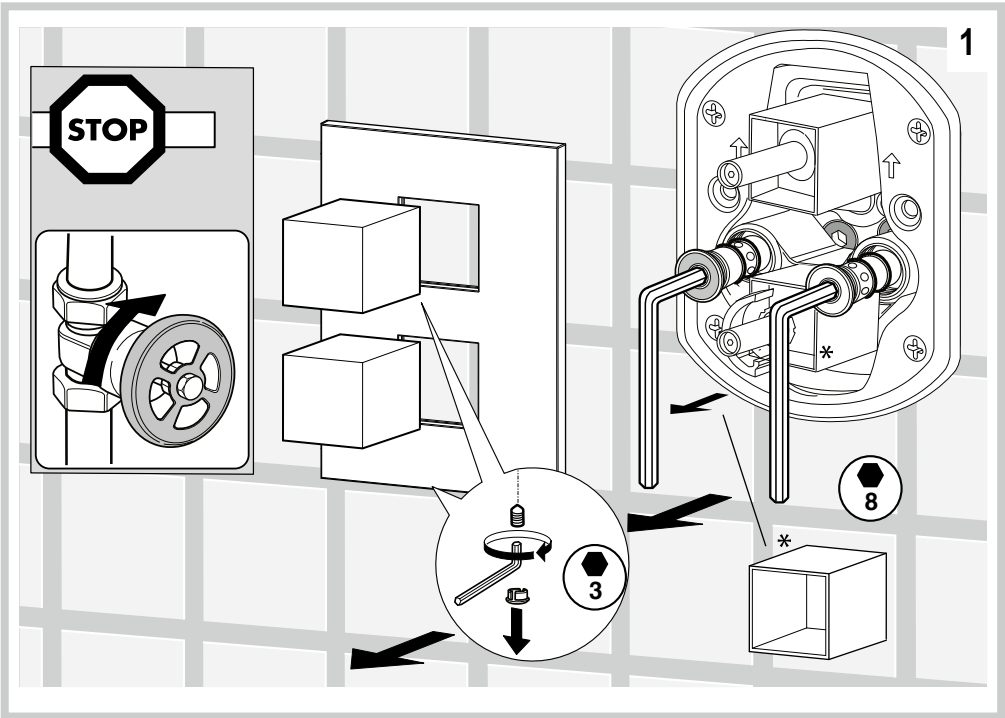
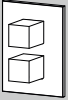


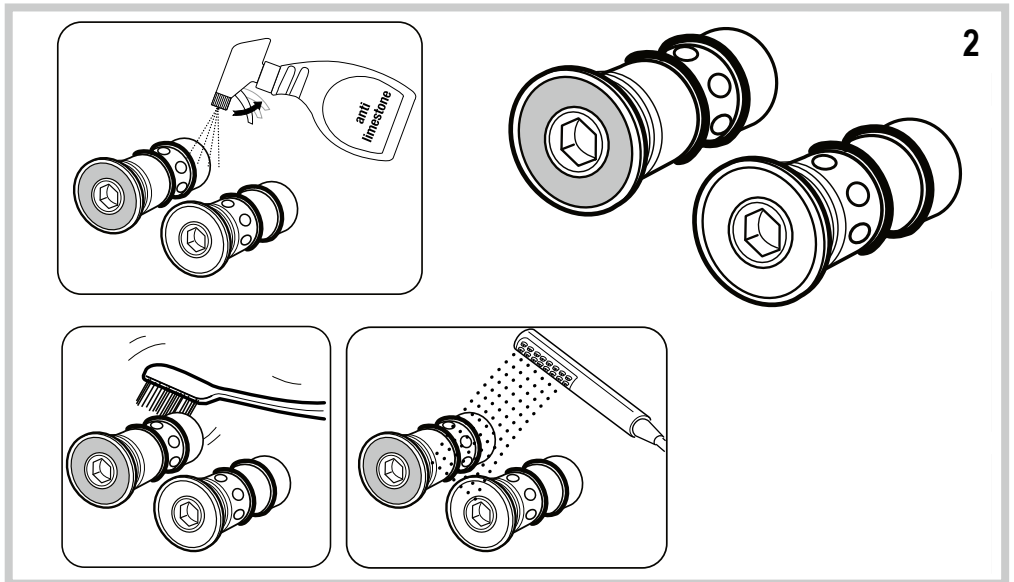
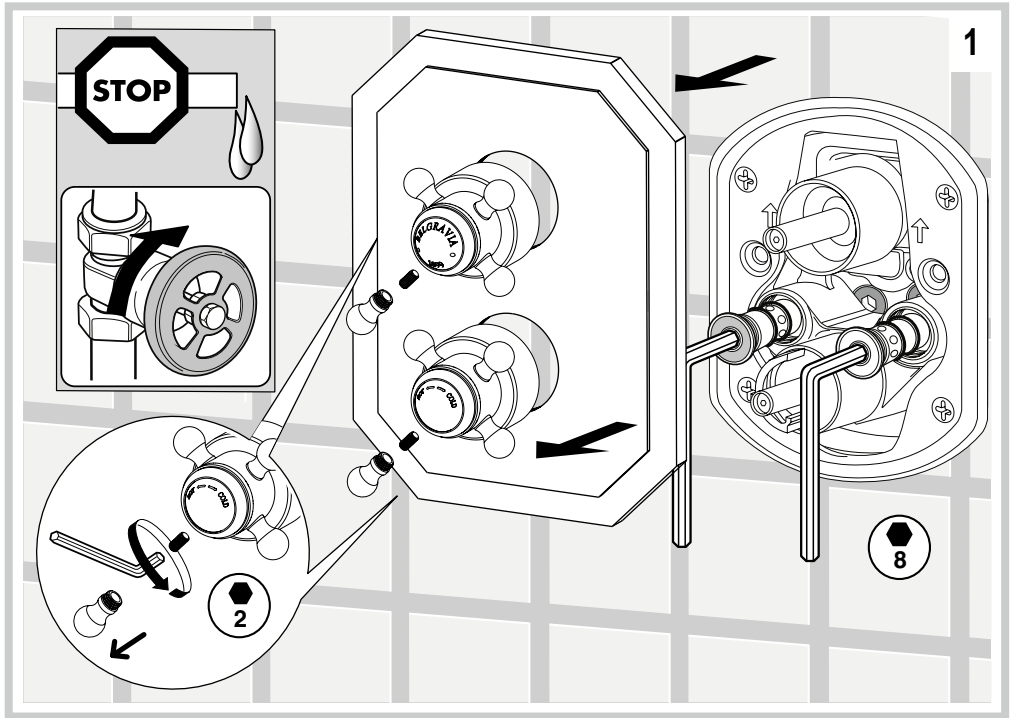
1

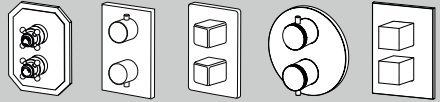


2

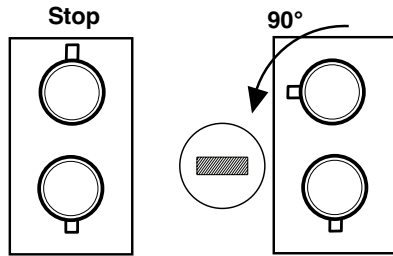




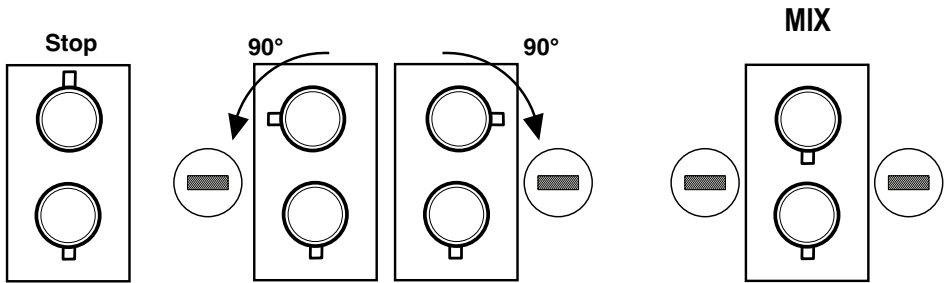




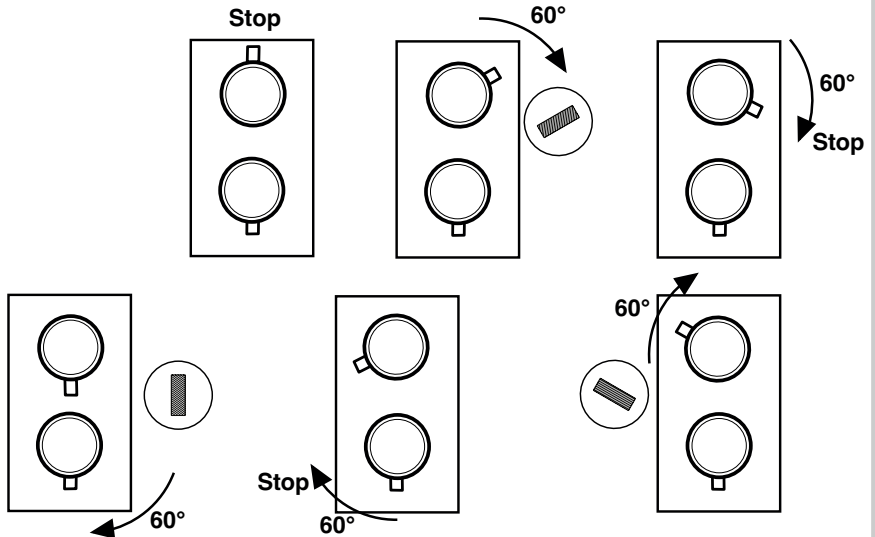
**THERMOSTATIC 1 WAY**



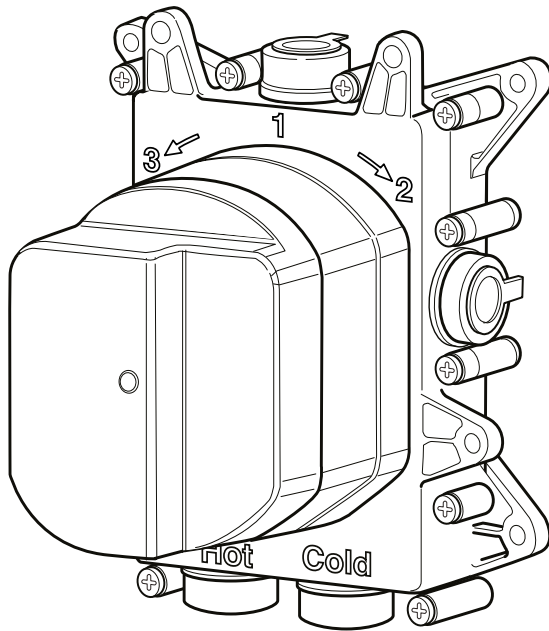
**THERMOSTATIC 2 WAYS**



**THERMOSTATIC 3 WAYS**

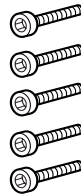
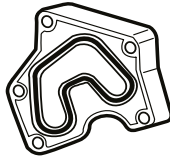
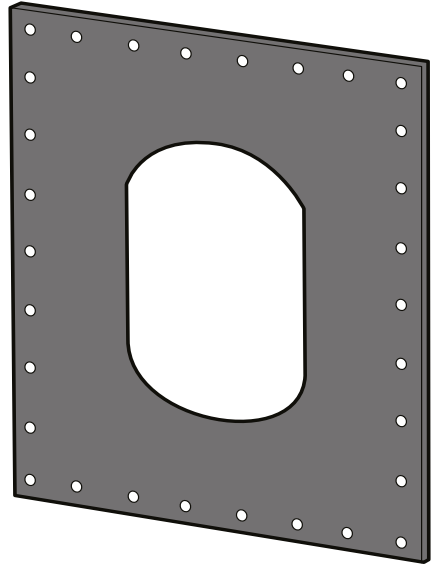
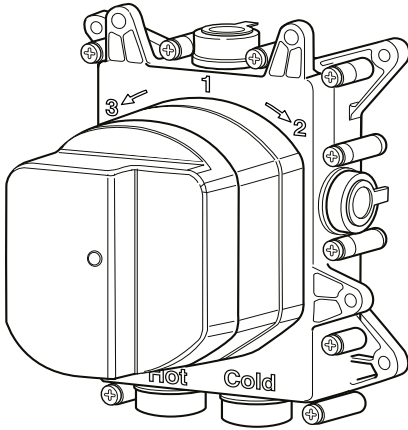






## ***Concealed Box***

### ***Mounting Instructions***



Mounting instructions



*Pressure range min/max 0,5/5 bar  
(in case of water pressure higher than 5 bar we recommend installing pressure reducers).*

*Recommended pressure 3 bar.*

*Operation:*

*Either with gas or electric accumulation boilers.*

*Centralised systems.*

---

*Safety lock at:* 41° C

*Min. Working temperature:* 3° C

*Min. recommended:* 15° C

*Max. Working temperature:* 70° C

*Max. recommended:* 65° C

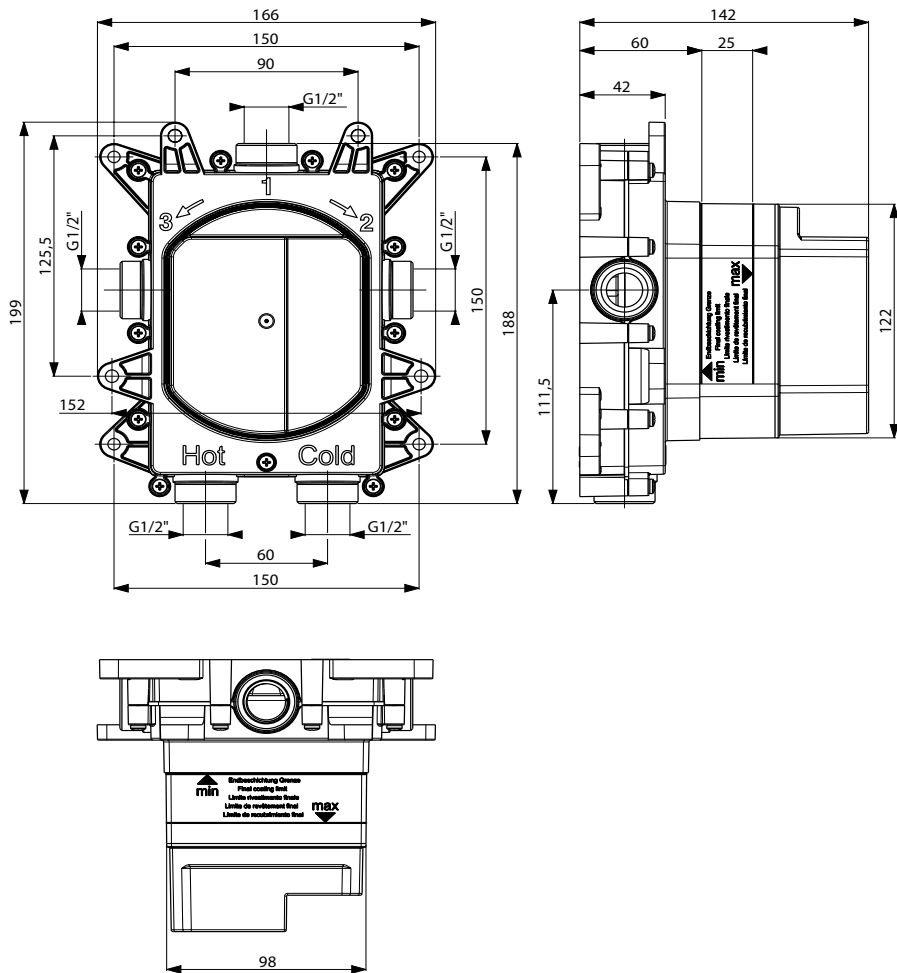
*Recommended thermal differential* 50° C

*Thermal disinfection is allowed.*

Safety system with flow stop in case of lack of one of the two waters.

---

**Warning: contact the plumber for the choice of the best water heating device.**

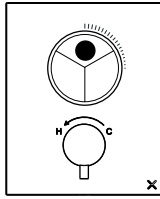


Press.	FLOW RATE ( L/min )			
	Push button 2 ways			
	Exit 1		Exit 2	
	min.	max.	min.	max.
bar				
0,5	1,5	7,5	1,5	7,5
1	2,3	11,3	2,3	11,2
2	3,5	16,5	3,5	16
3	4,5	20,5	4,5	20
4	5,5	23,7	5,2	22,8
5	5,7	26,5	5,7	25,5

Press.

FLOW RATE ( L/min )

Push button 3 ways



Exit 1

min. max.

1,8 8,1

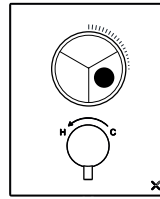
2,7 11,8

3,9 16,8

4,8 20,7

5,5 24

6,2 26,7



Exit 2

min. max.

1,8 7,7

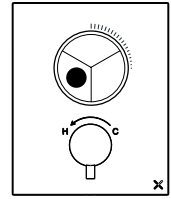
2,6 11,5

3,9 16,7

4,8 20,5

5,5 23,7

6,2 26,6



Exit 3

min. max.

1,8 7,7

2,6 11,5

3,9 16,7

4,8 20,5

5,5 23,7

6,2 26,6

bar

0,5

1

2

3

4

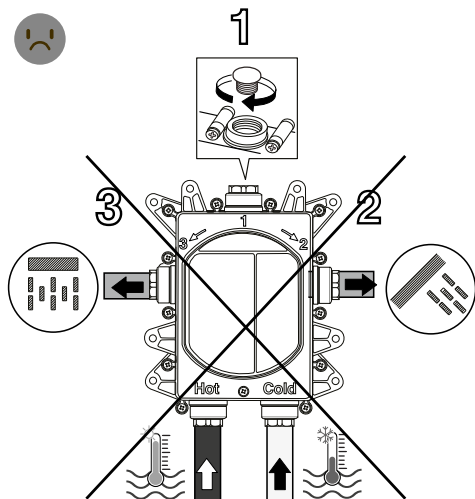
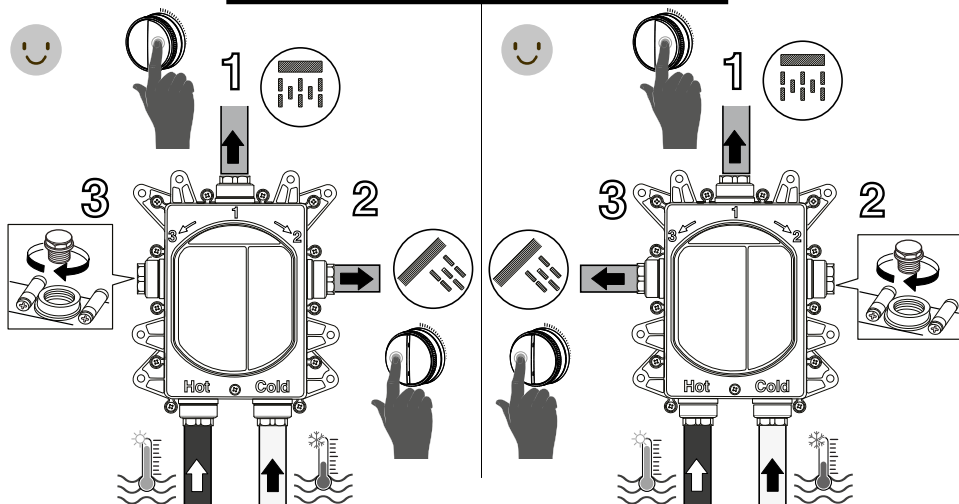
5



## 2 WAYS - ONLY PUSH VERSION



**ATTENTION:**  
indications valid only  
for PUSH VERSION!



**3 WAYS - ONLY PUSH VERSION**

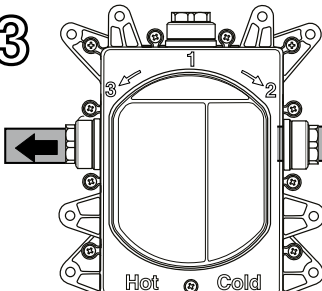
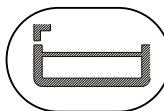
**ATTENTION:**  
indications valid only  
for PUSH VERSION!



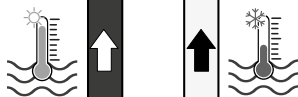
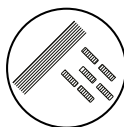
1



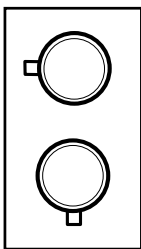
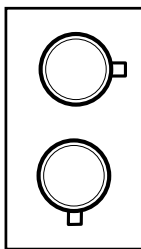
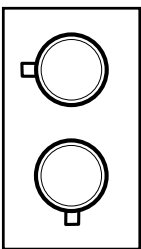
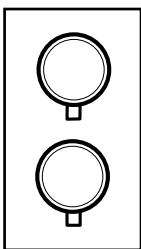
3



2



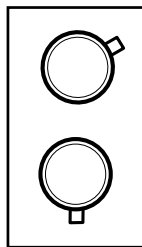


Press.	FLOW RATE ( L/min )			
	Term. 1 way	Term. 2 way		
				
bar	Exit 1/2/3	Exit 2	Exit 3	Mix
0,5	8,2	8,2	8,2	9,2
1	11,7	11,7	11,7	13,2
2	16,7	16,4	16,4	18,7
3	20,7	20	20	22,9
4	24	23	23	26,4
5	26,6	25,8	25,8	29,5

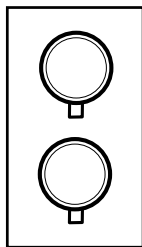
Press.

FLOW RATE ( L/min )

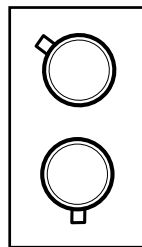
Term. 3 ways



Exit 1



Exit 2



Exit 3

bar

0,5

9,4

8,1

8,1

1

13,4

11,6

11,6

2

19,2

16,6

16,6

3

23,7

20,5

20,5

4

27,4

23,8

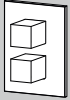
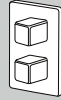
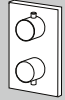
23,8

5

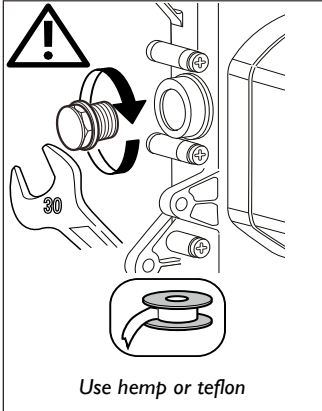
30,5

26,6

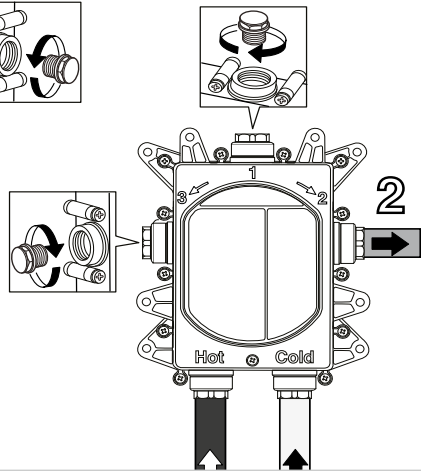
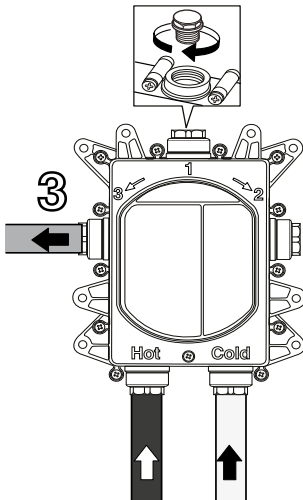
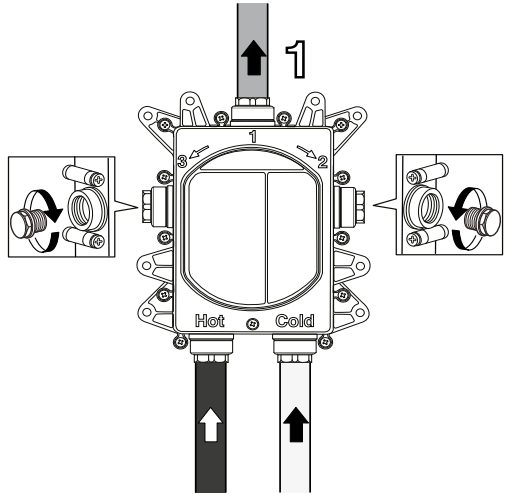
26,6



**ATTENTION:**  
indications valid only  
for **OTHER VERSIONS!**



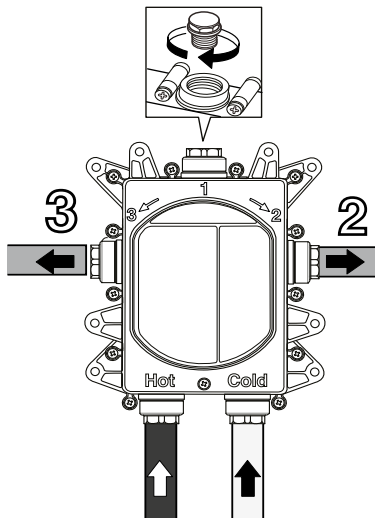
**1 way**



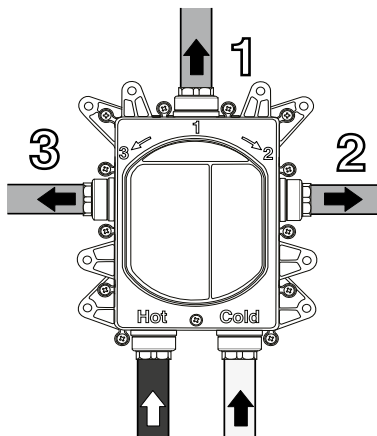


**ATTENTION:**  
indications valid only  
for **OTHER VERSIONS!**

**2 ways**

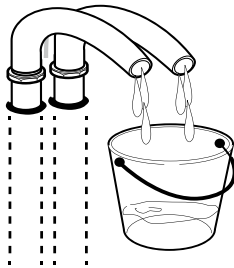
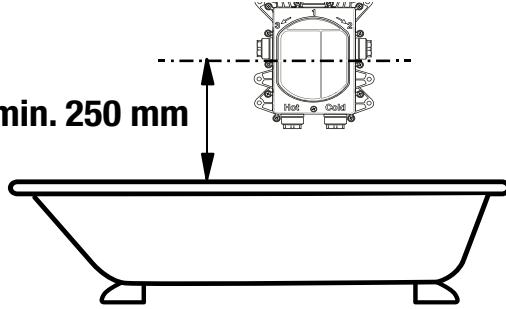


**3 ways**

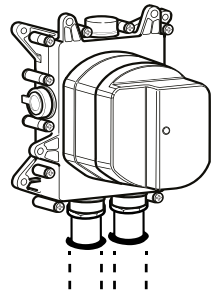
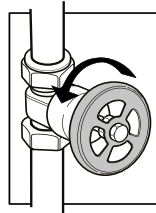


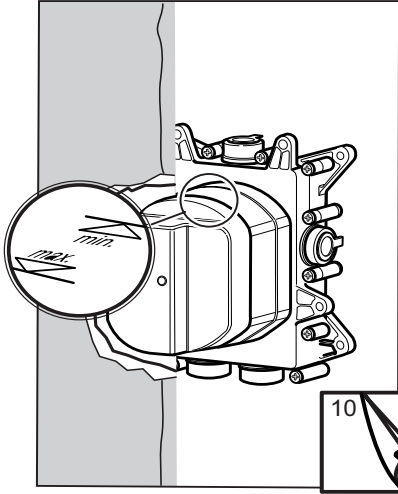


min. 250 mm

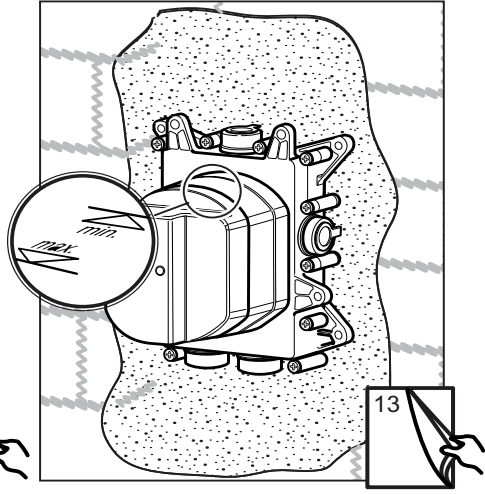


1° → 2°

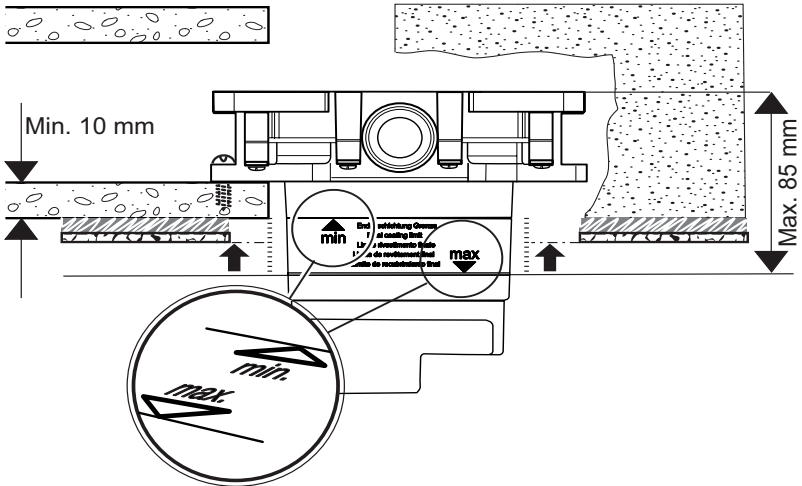


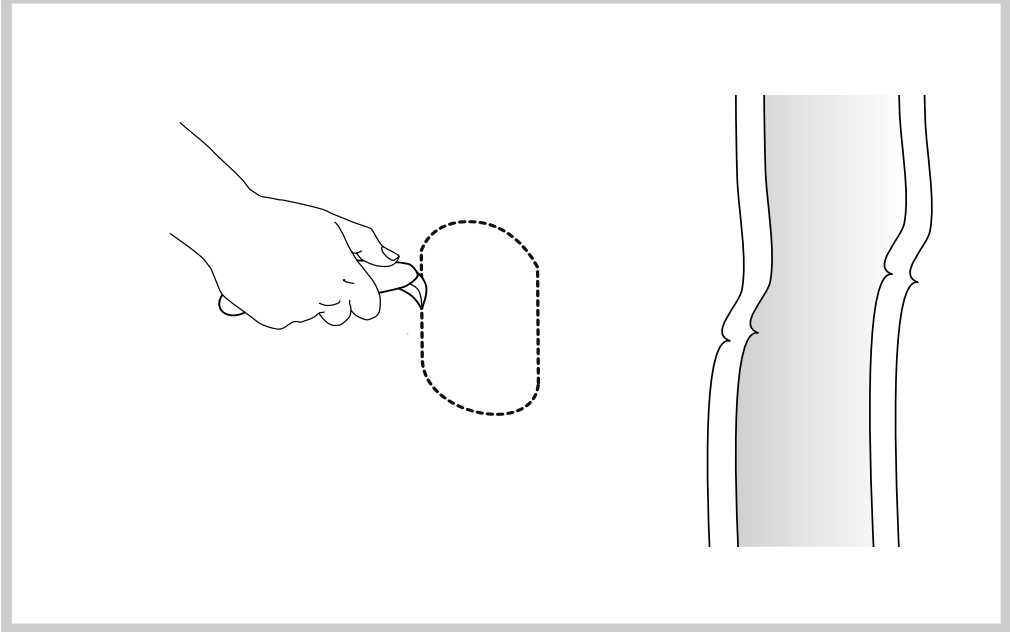
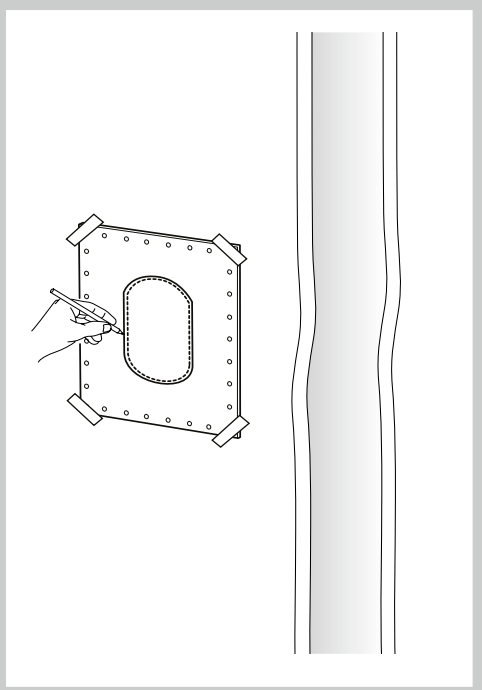
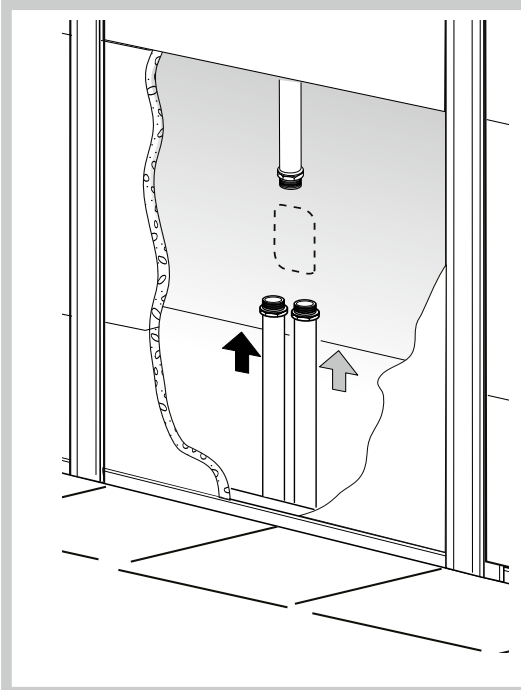


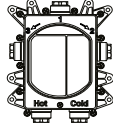
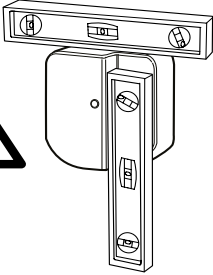
Mounting on plasterboard wall



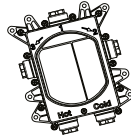
Wall mounting



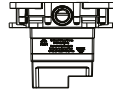




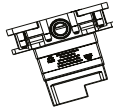
OK



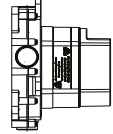
NO



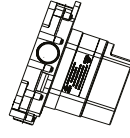
OK



NO



OK



NO

