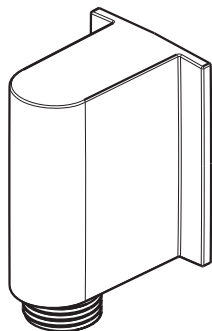
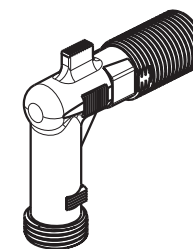
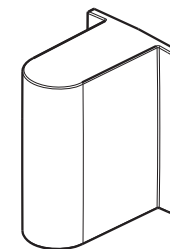
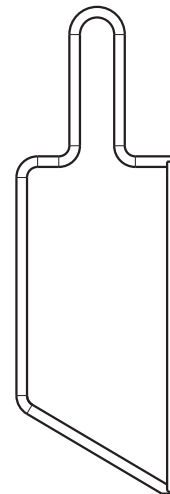
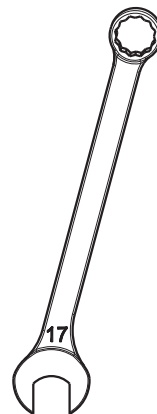


PRO0955 V/M/F

MOUNTING INSTRUCTIONS I



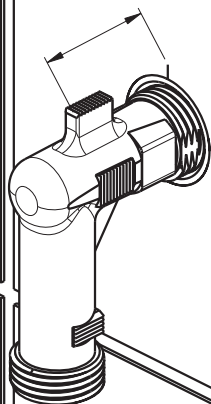
crosswater[®]



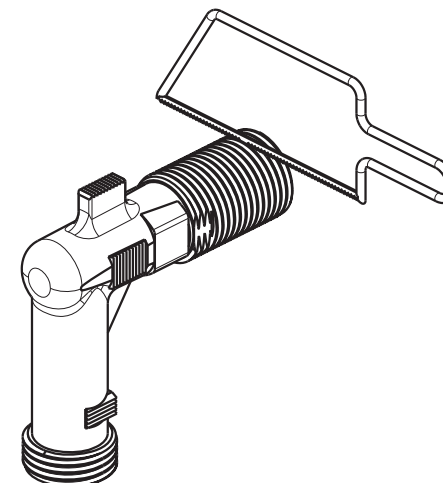
1x

1x

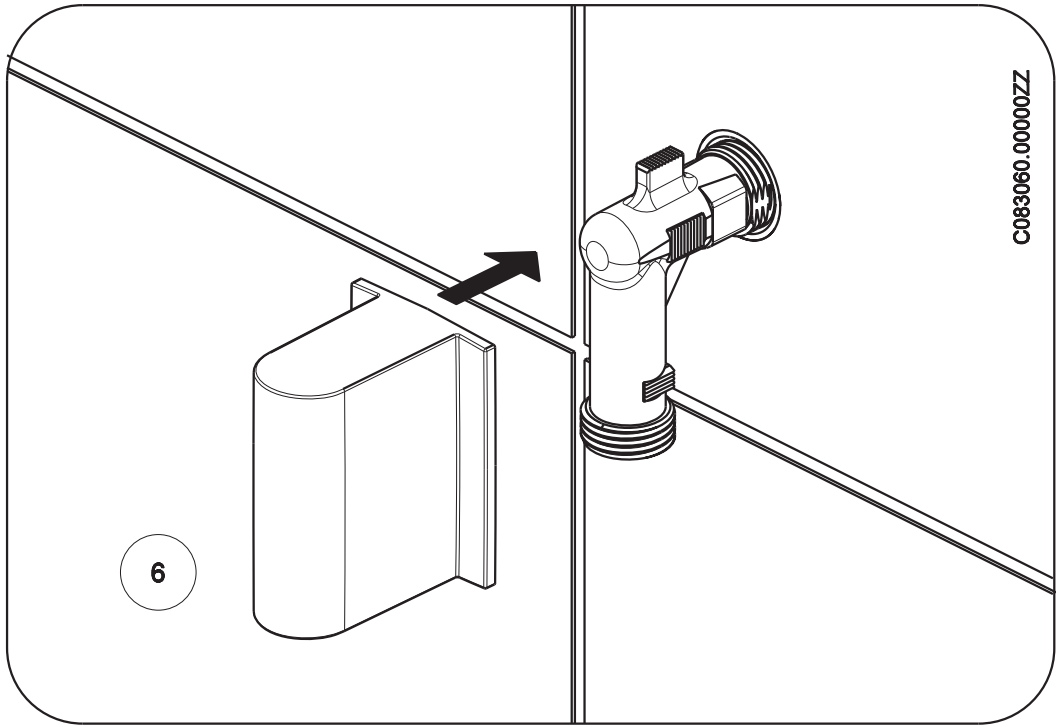
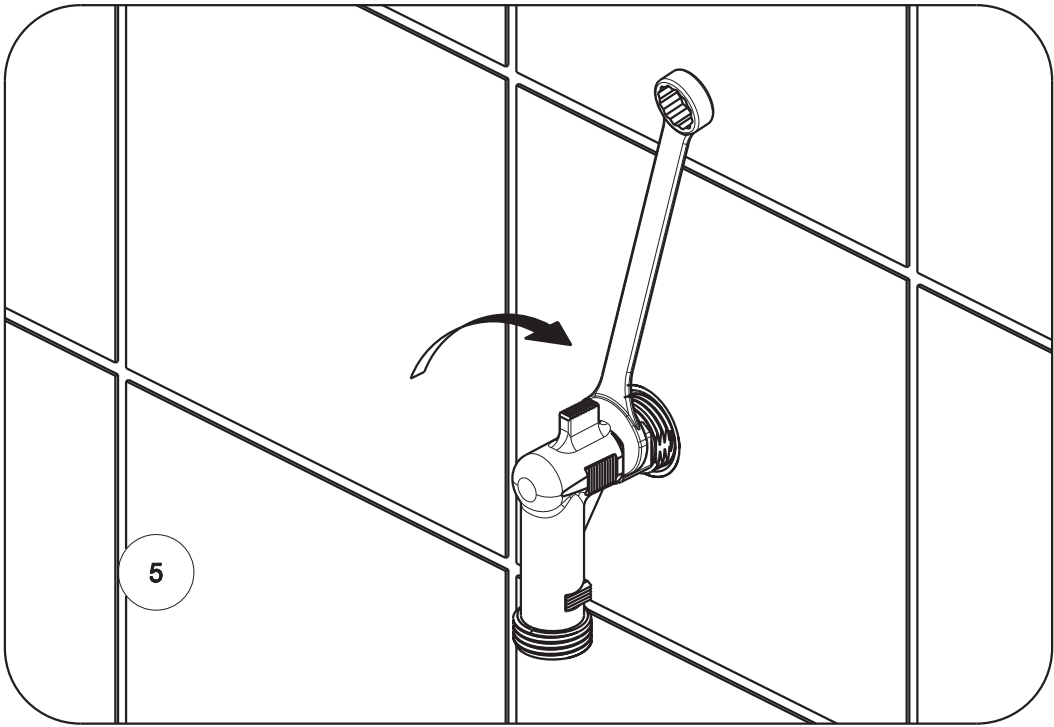
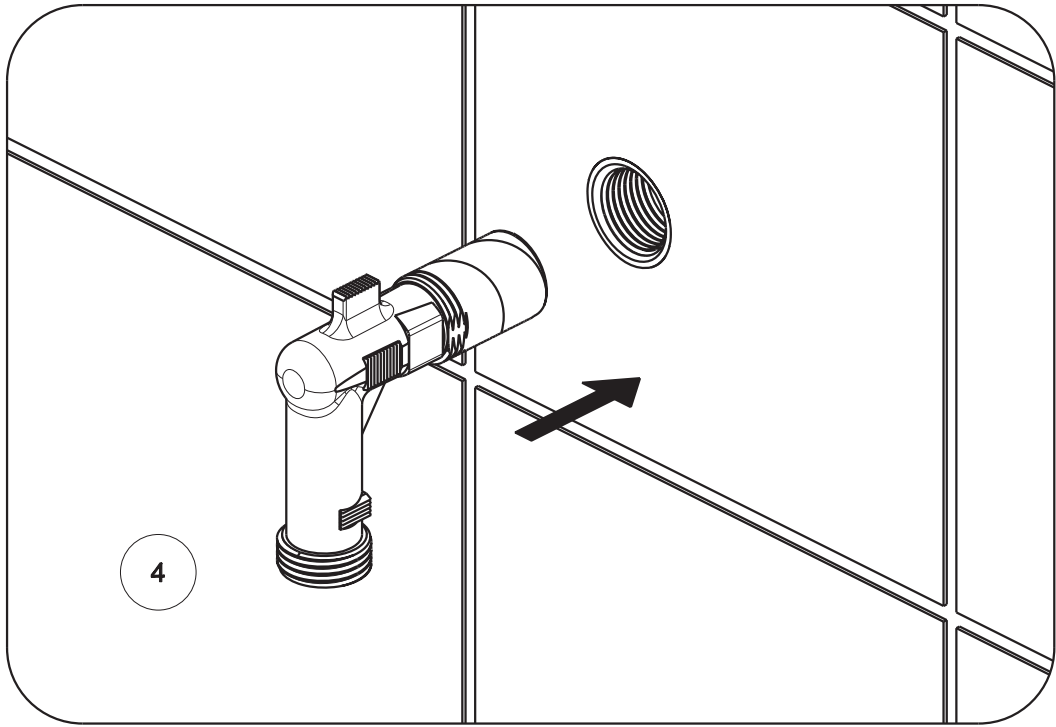
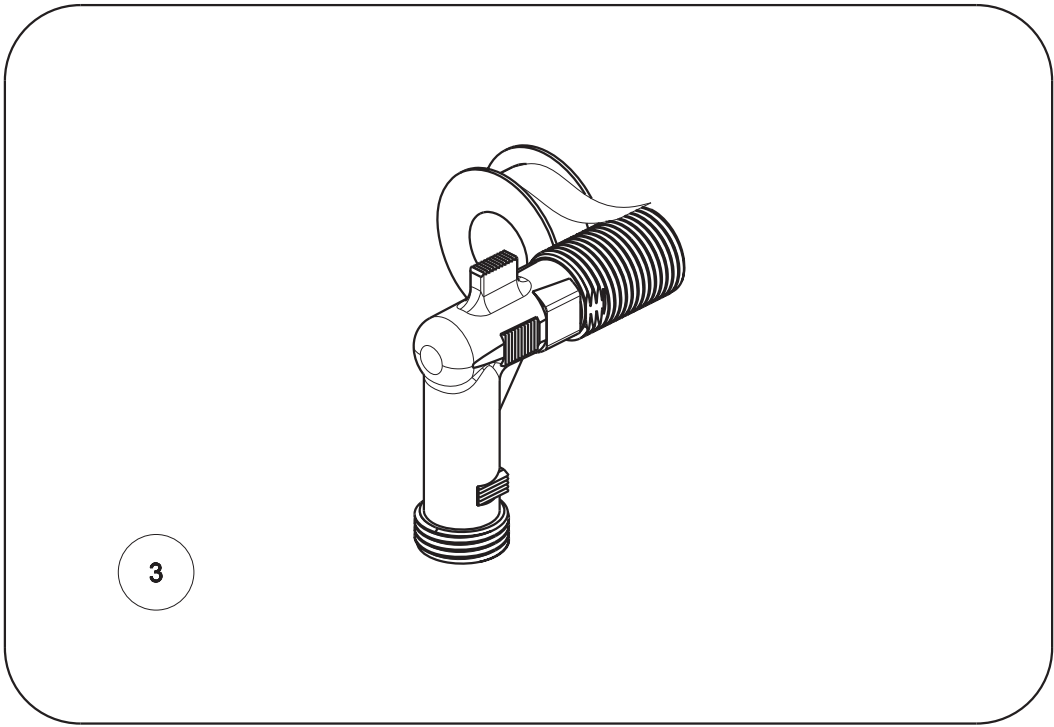
MIN 21 mm
MAX 29 mm



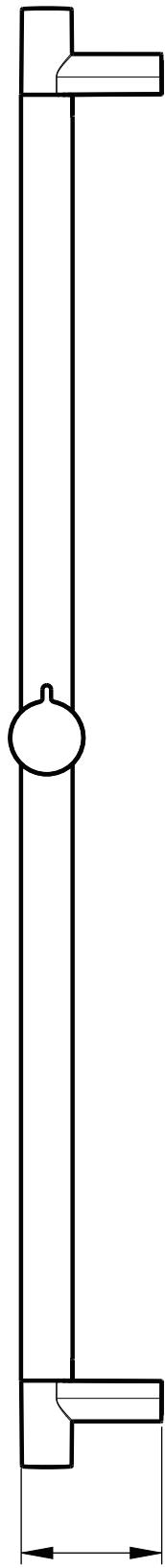
1



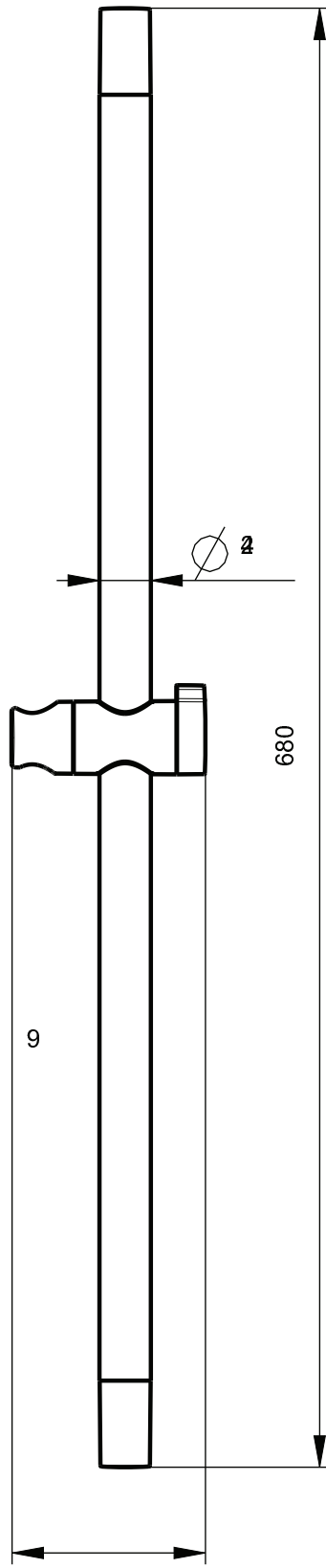
2



C083060.00000ZZ



Ø



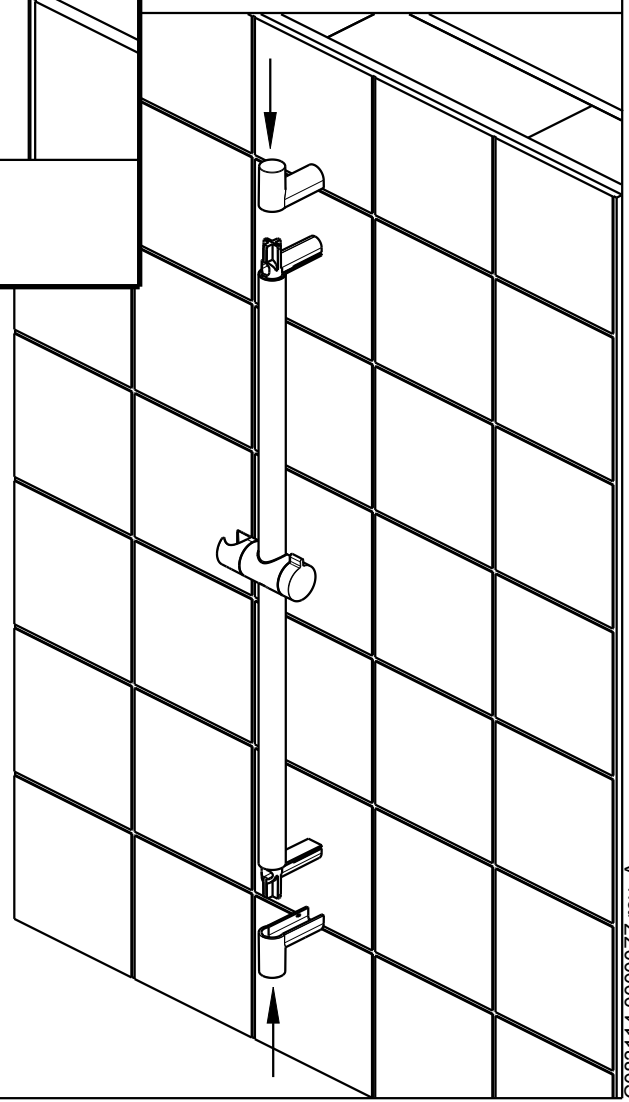
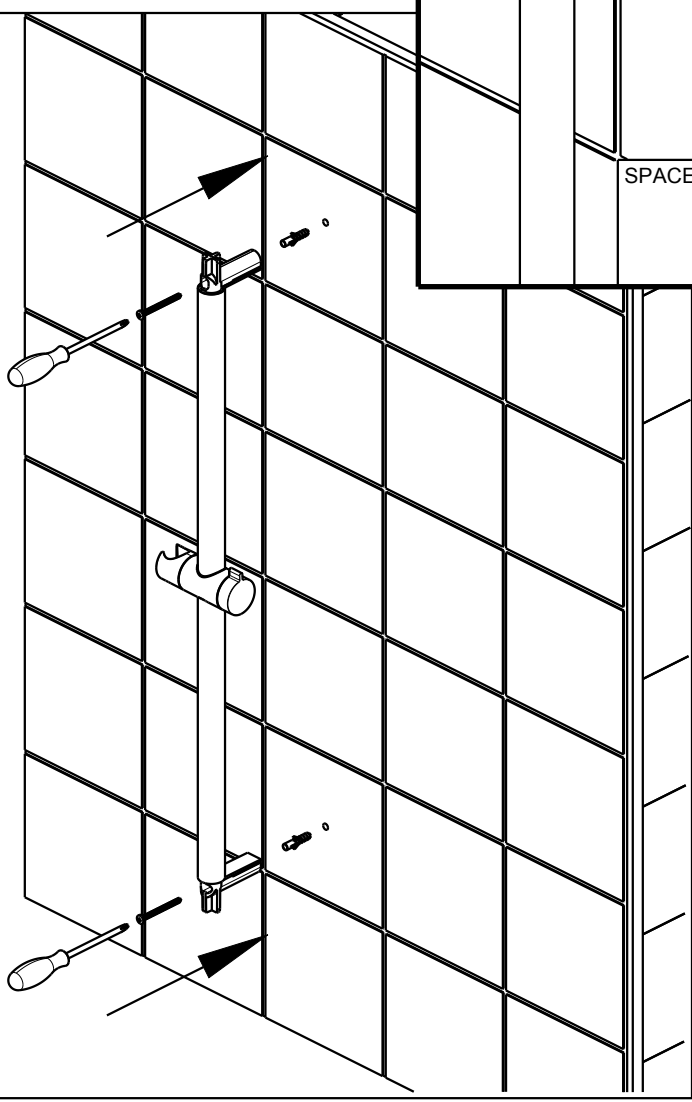
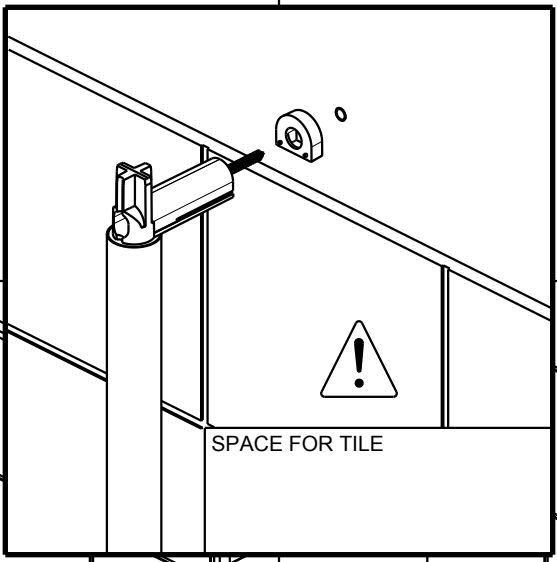
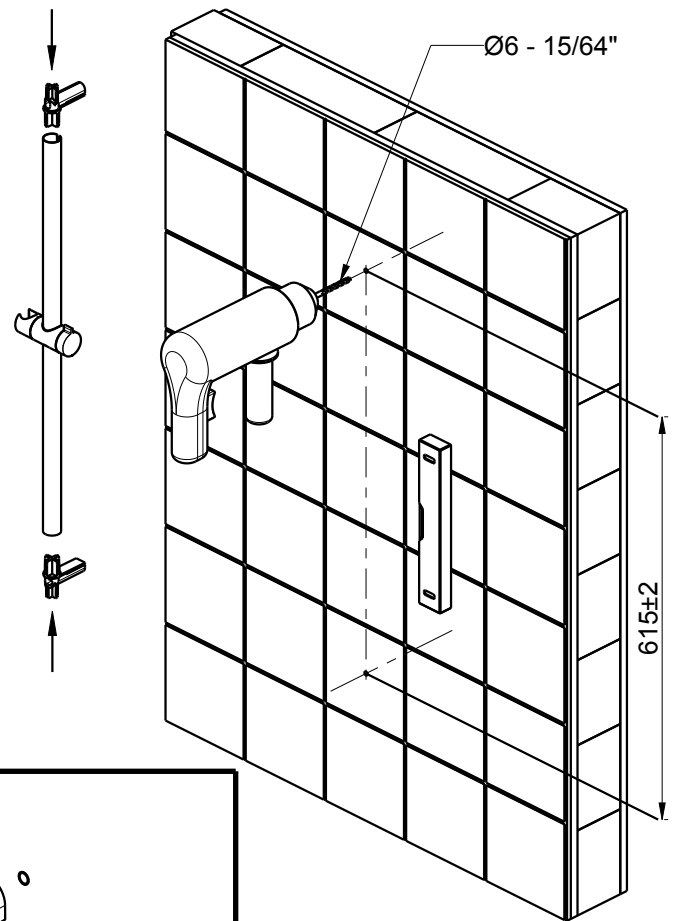
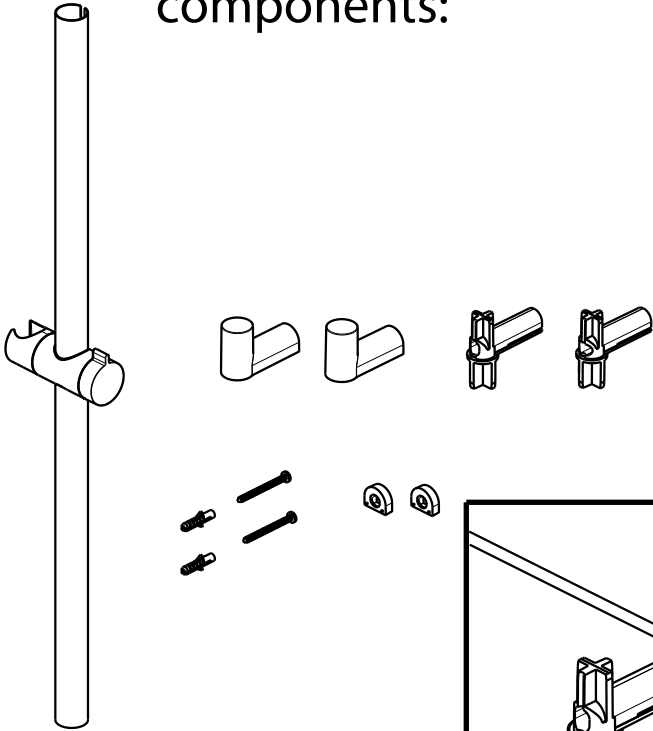
PRO600 V/M/F

crosswater[®]

PRO600 V/M/F

crosswater[®]

components:



ASSEMBLY INSTRUCTIONS

components:

