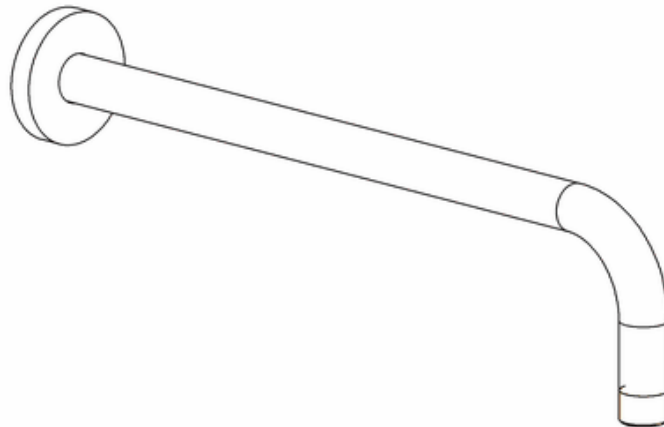
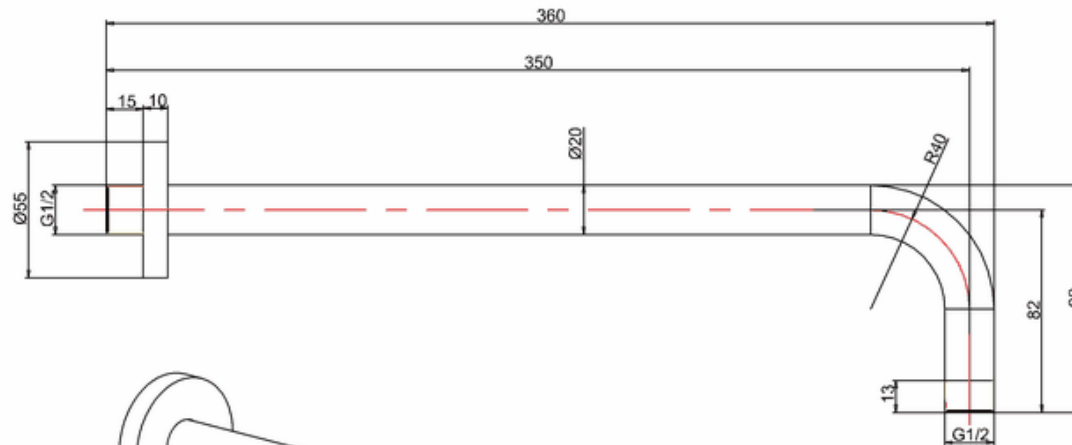


PRO684F+ - Shower Arm 350mm Brushed brass



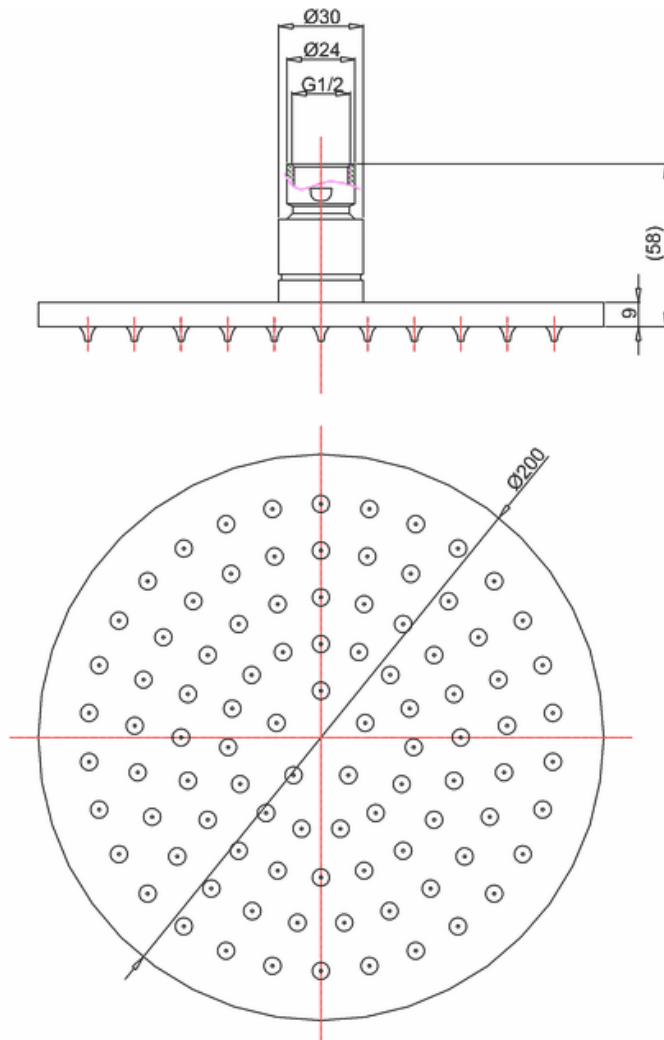
Note:

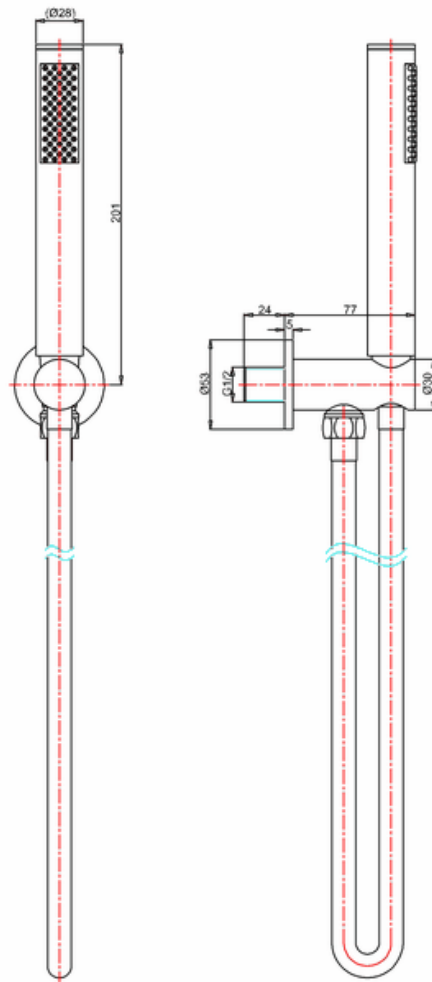
For the each part, the dimension tolerance should be followed the list below.

0 ~ 100	101 ~ 200	201 ~ 400	e401
±1	±2	±3	±5

For the finished assembly, the dimension tolerance should be followed the list below.

0 ~ 300	e301
±2	±5





RANGE	INSTALLATION TYPE	PRODUCT DESCRIPTION
MPro	Wall recessed (Portrait)	Concealed Thermostatic Shower Valve - 2 outlet. 2 handle - Etched with shower/handset (1510)

PRODUCT CODE	VALVE CODE	BACKPLATE/ COLLAR/ HANDLES CODE
PRO1510RF+	WLBP1500R+*	PRO1510LBPF

FINISH	APPLICATION	MIN PRESSURE
Brushed Brass	PVD	1.0 bar



HEADWORK	Thermo cartridge + flow control/s
CONNECTIONS	G3/4"
UK APPROVALS	WRAS*
OTHER APPROVALS	TMV2
WARRANTY	15 Years (5 on cartridges)

