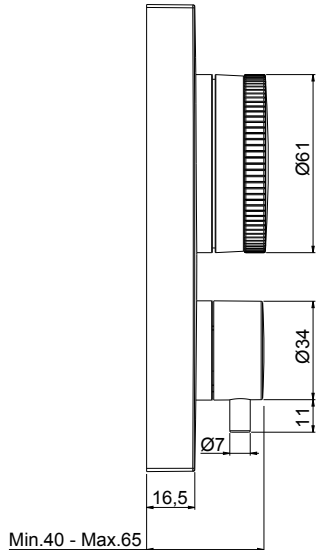
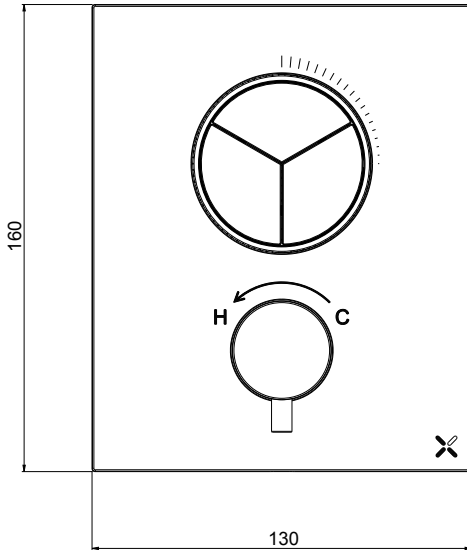
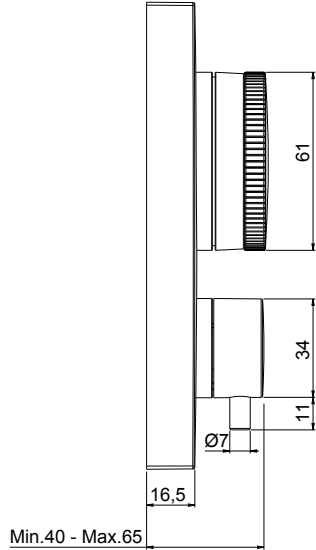
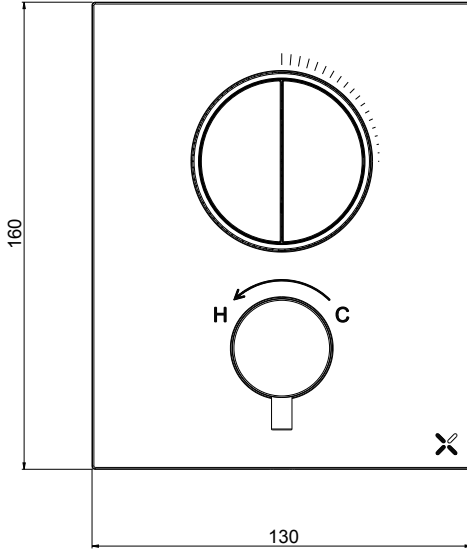


Completion Concealed Box

Mounting Instructions



Pressure range min/max 0,5/5 bar
(in case of water pressure higher than 5 bar we recommend installing pressure reducers).
Recommended pressure 3 bar.

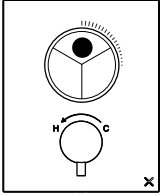
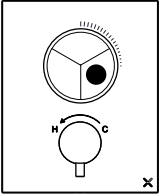
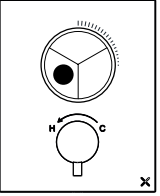
Operation:
Either with gas or electric accumulation boilers.
Centralized systems.

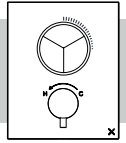
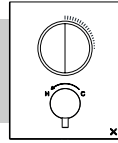
Safety lock at: 41°
Min. Working temperature: 3°C
Min. recommended: 15°C
Max. Working temperature: 70°C
Max. recommended: 65°C
Recommended thermal differential 50°C

Thermal disinfection is allowed. Safety system with flow stop in case of lack of one of the two waters.

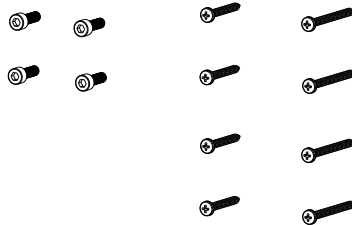
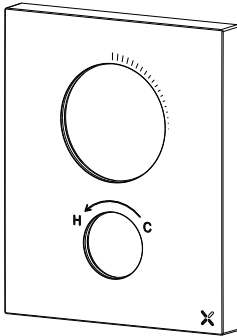
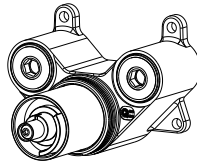
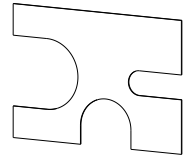
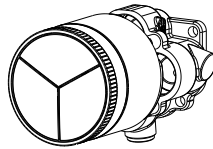
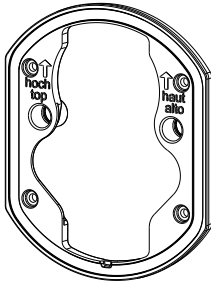
Warning: contact the plumber for the choice of the best water heating device.

Press.	FLOW RATE (L/min)				
bar	Push button 2 ways				
	Exit 1		Exit 2		
	min.	max.	min.	max.	
	0,5	1,5	7,5	1,5	7,5
	1	2,3	11,3	2,3	11,2
	2	3,5	16,5	3,5	16
	3	4,5	20,5	4,5	20
	4	5,5	23,7	5,2	22,8
	5	5,7	26,5	5,7	25,5

Press.	FLOW RATE (L/min)					
	Push button 3 ways					
	 Exit 1		 Exit 2		 Exit 3	
bar	min.	max.	min.	max.	min.	max.
0,5	1,8	8,1	1,8	7,7	1,8	7,7
1	2,7	11,8	2,6	11,5	2,6	11,5
2	3,9	16,8	3,9	16,7	3,9	16,7
3	4,8	20,7	4,8	20,5	4,8	20,5
4	5,5	24	5,5	23,7	5,5	23,7
5	6,2	26,7	6,2	26,6	6,2	26,6

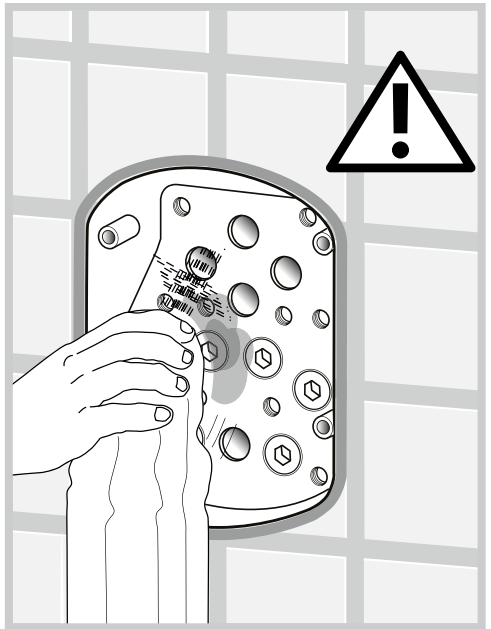
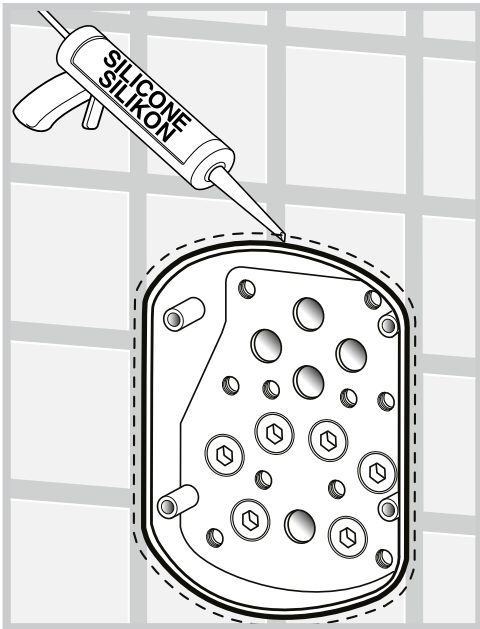
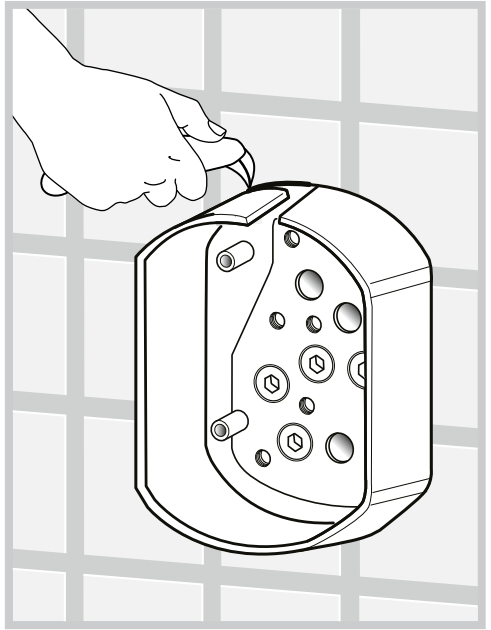
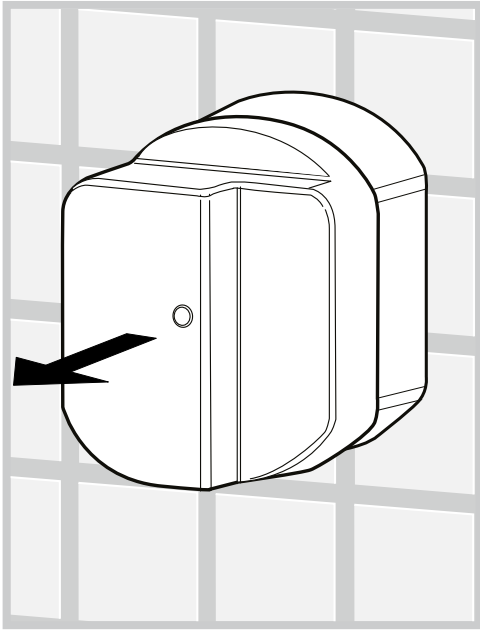
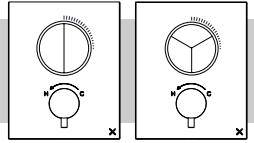


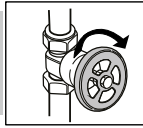
THERMOSTATIC 2-3 WAYS



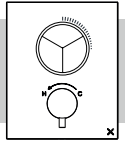
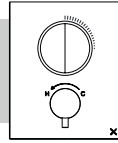
Mounting instructions



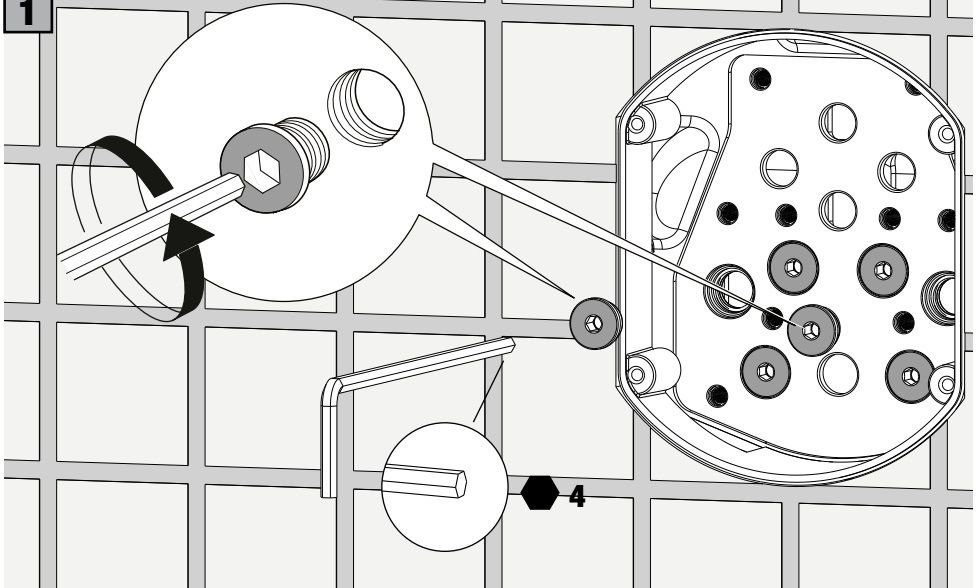




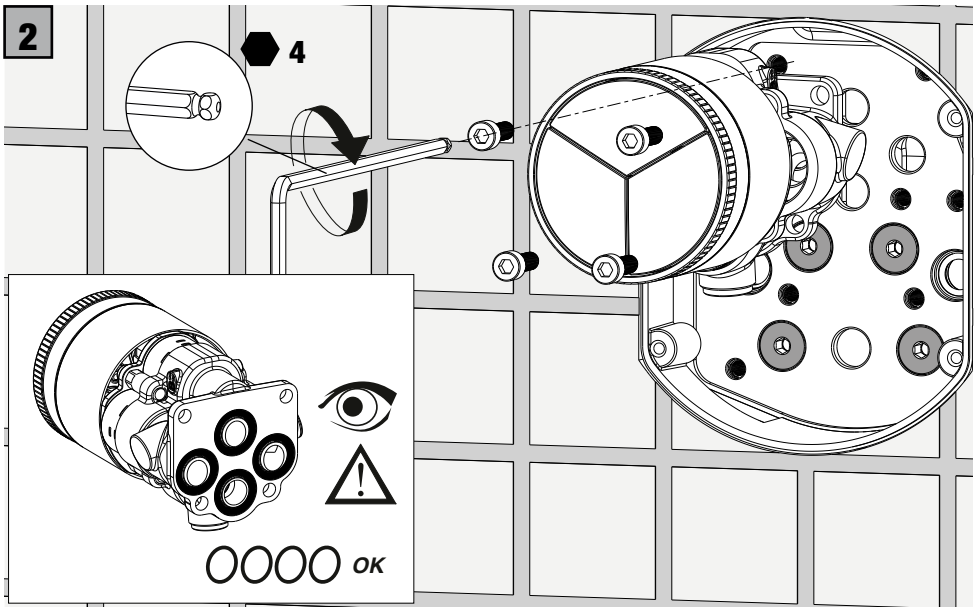
CLOSED

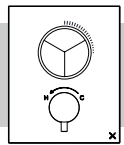
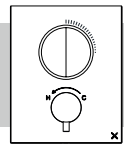
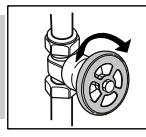


1

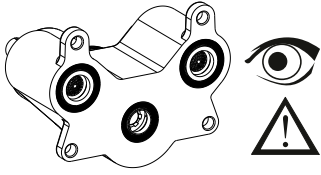


2

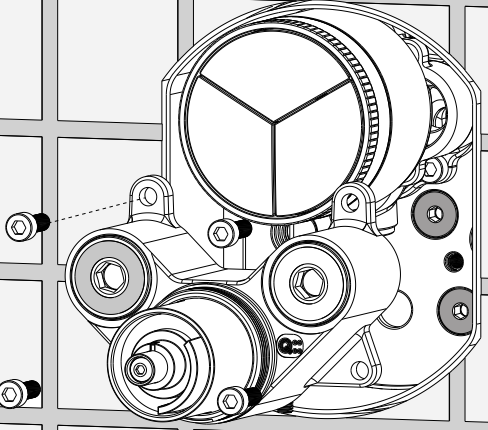
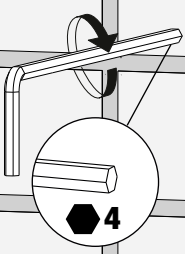




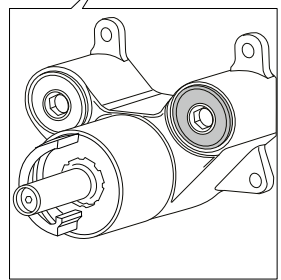
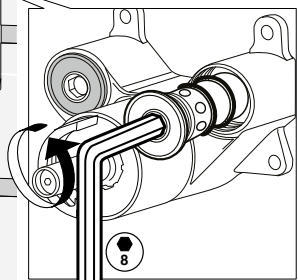
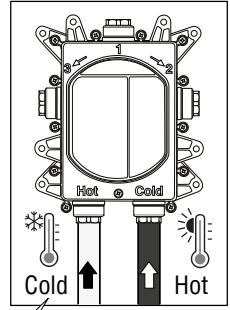
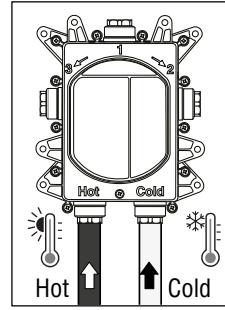
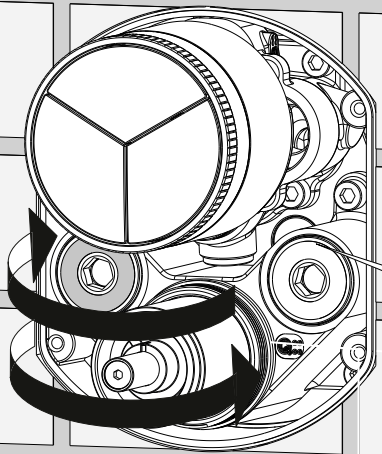
3

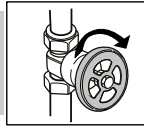


000 ok

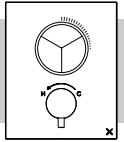
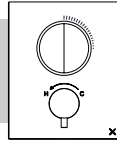


4

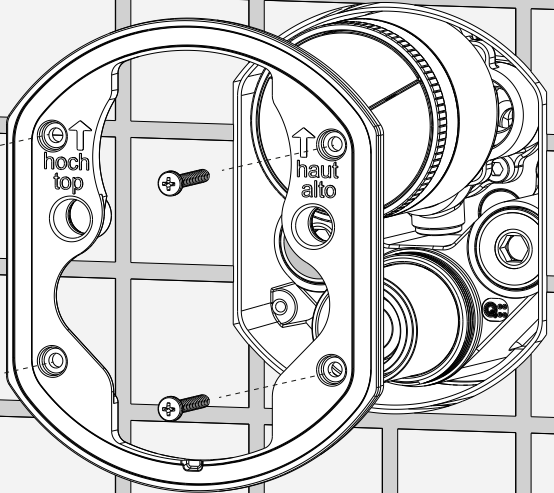
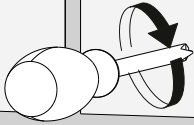
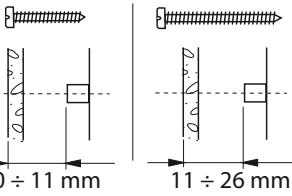




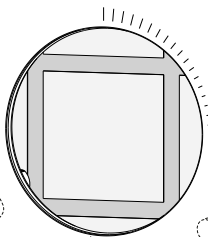
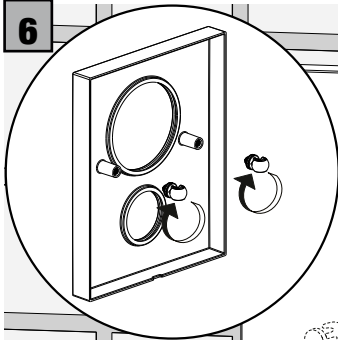
CLOSED



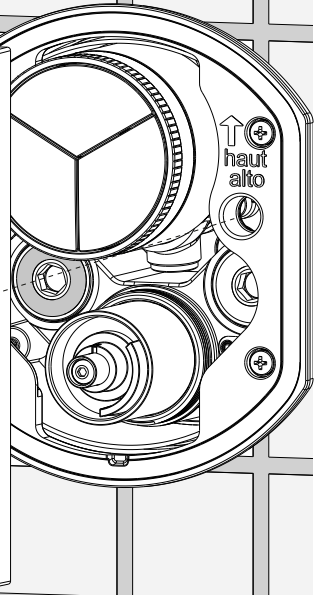
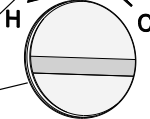
5

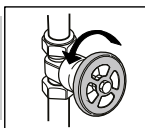


6

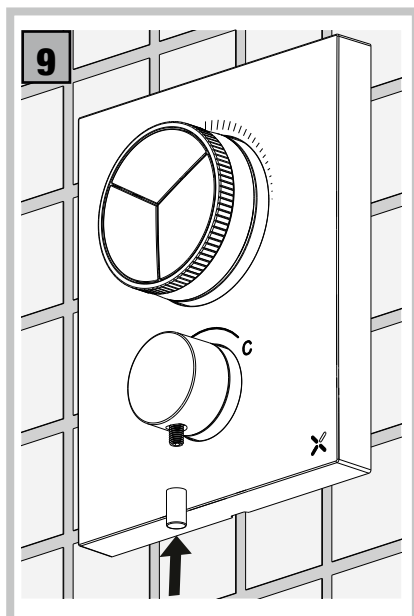
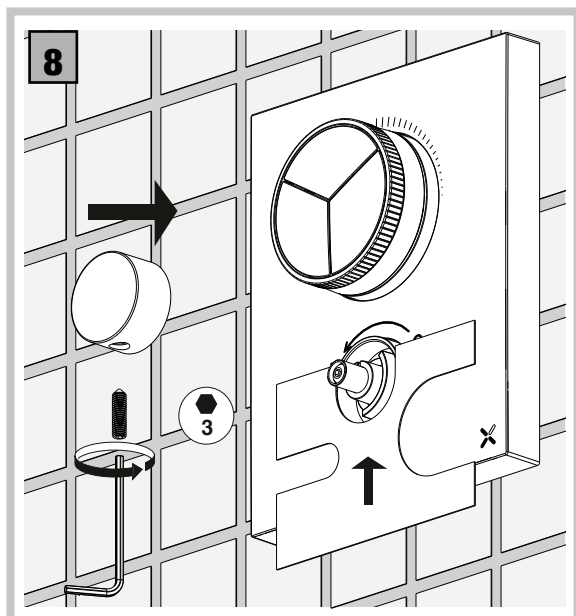
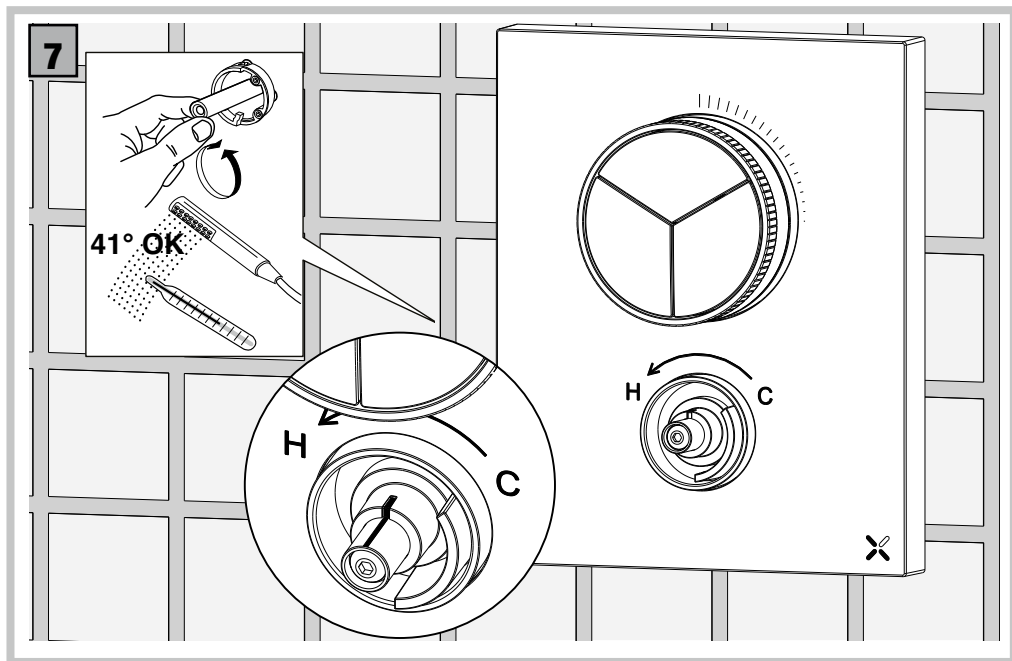
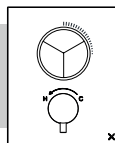
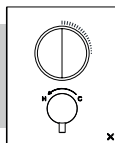


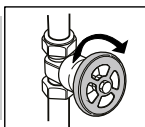
Run liquid soap over the O-rings to facilitate plate's insertion



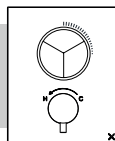
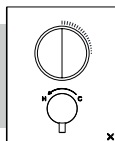


OPEN

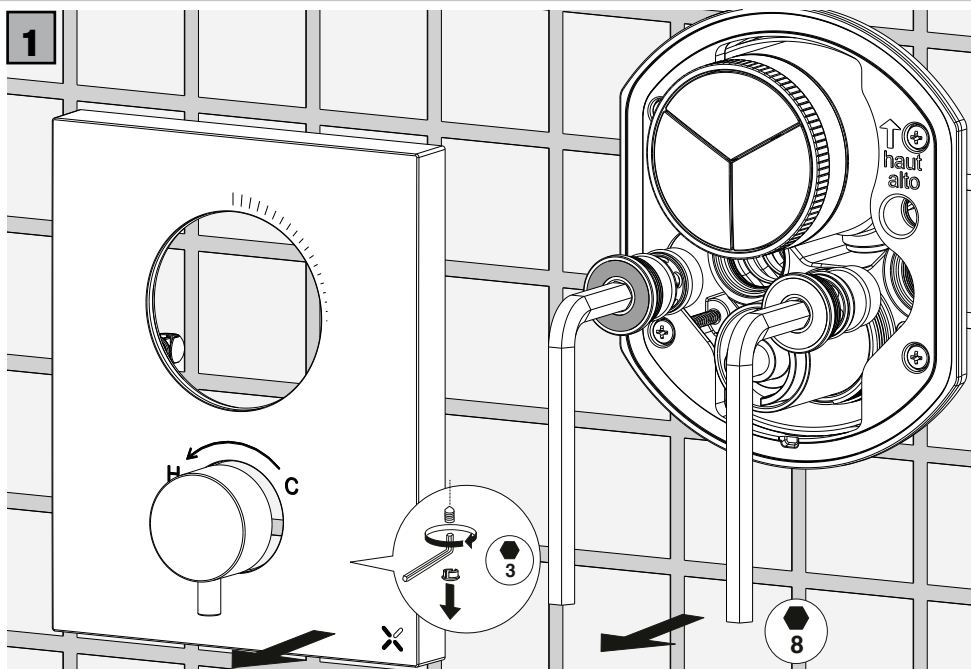




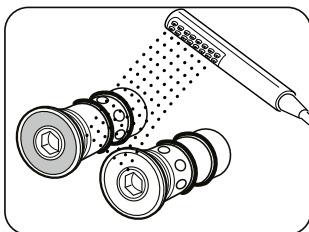
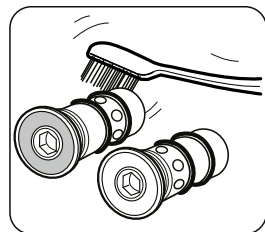
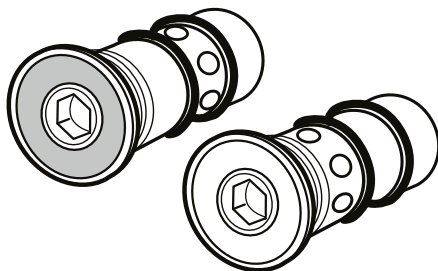
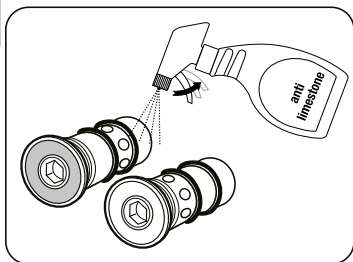
CLOSED

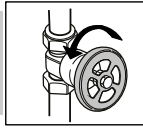


1

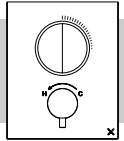


2

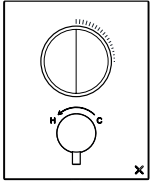




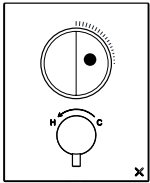
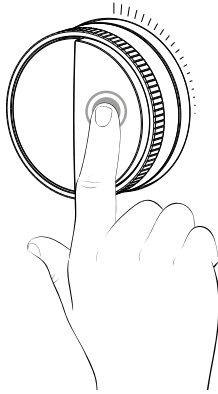
OPEN



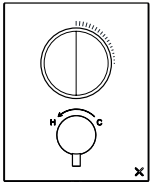
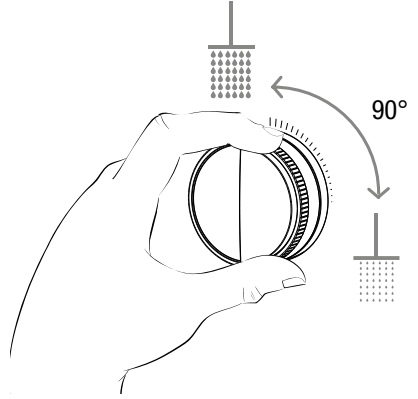
THERMOSTATIC 2 WAYS



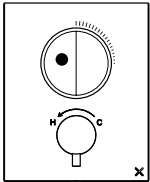
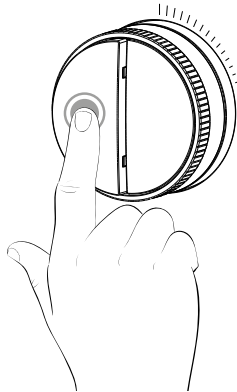
stop



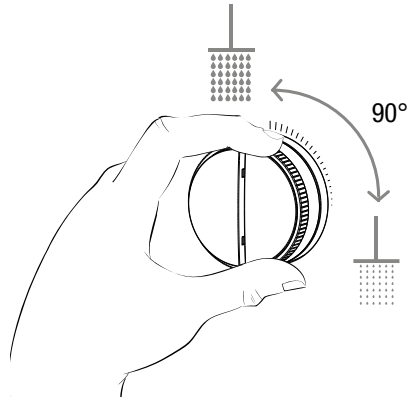
1 way

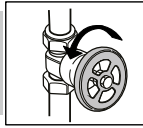


stop

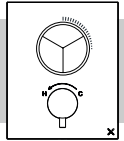


2 way

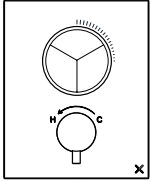




OPEN

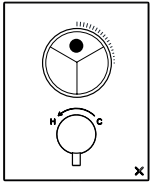
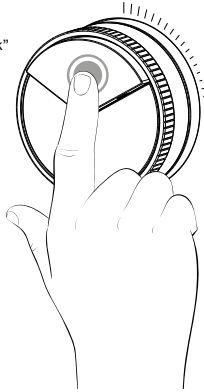


THERMOSTATIC 3 WAYS

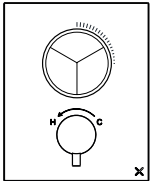
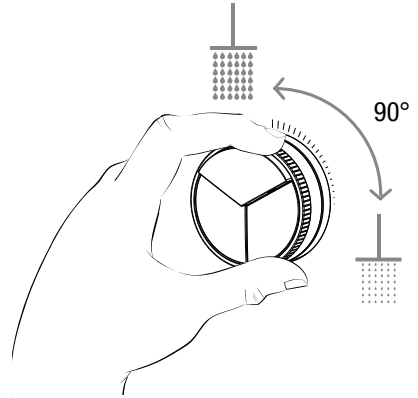


stop

"click"

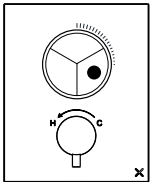
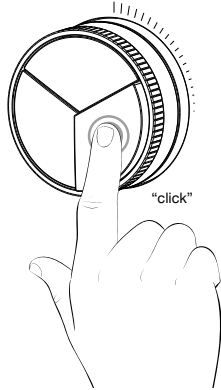


1 way

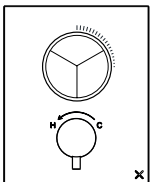
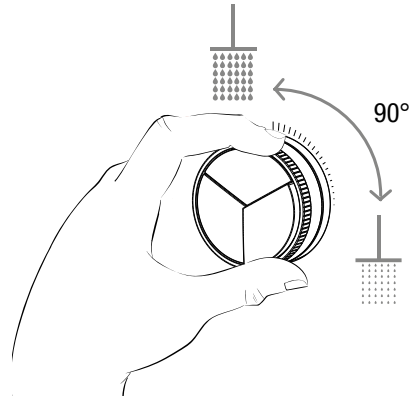


stop

"click"

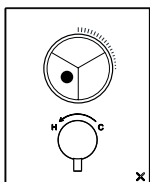
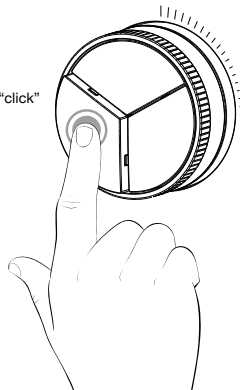


2 way

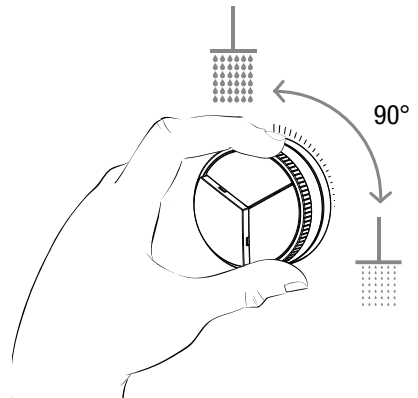


stop

"click"



3 way



EN I CLEANING

Clean surfaces using only water or neutral detergents and dry with a soft cloth.

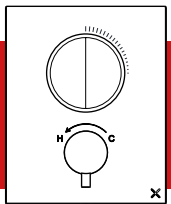
Never use abrasive or corrosive detergents or products containing hydrochloric acid, phosphoric acid, ammonia or bleach.

Do not use sponges or abrasive cloths.

It is recommended to clean the surfaces periodically, in order to not create situations of excessive dirt which is difficult to eliminate.

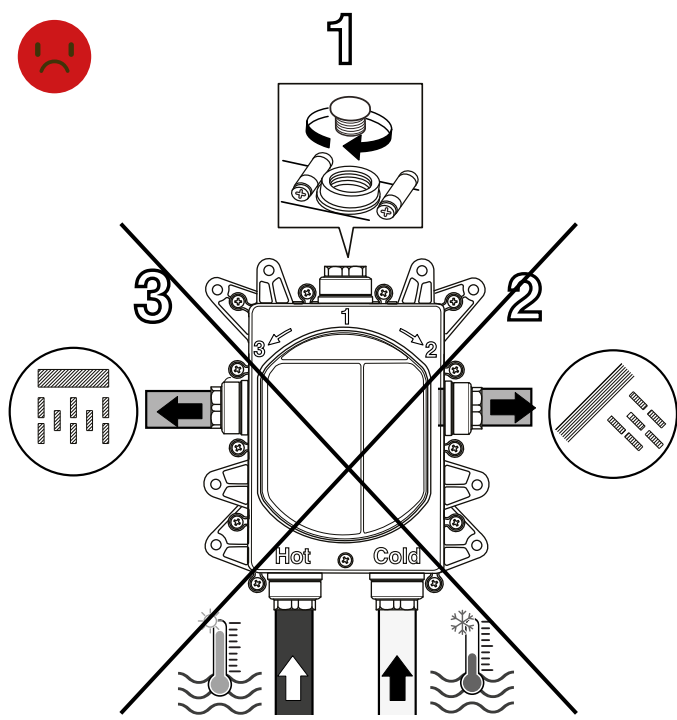
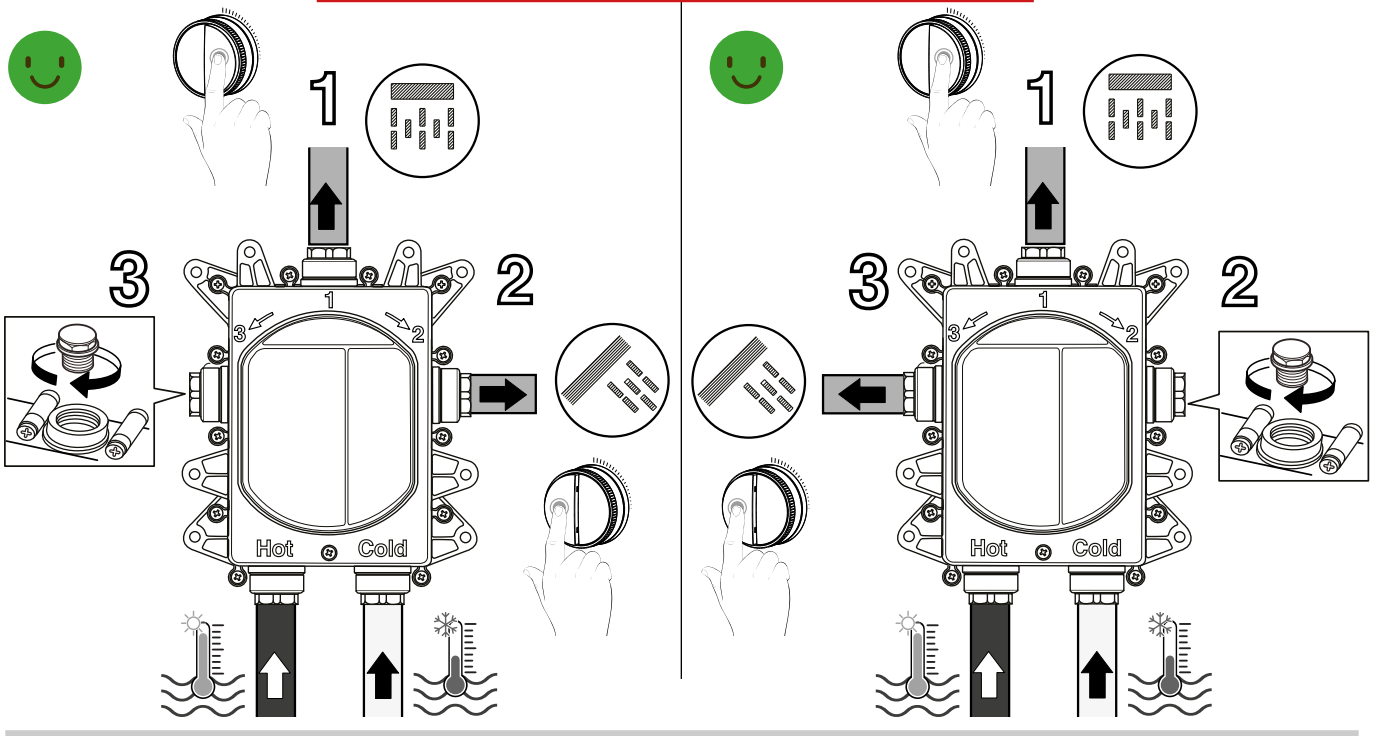
ATTENTION: the use of not-recommended products may irreparably deteriorate surfaces.

PRE-INSTALLATION INFORMATIONS

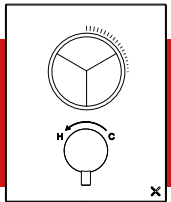


2 WAYS - ONLY PUSH VERSION

ATTENTION:
indications valid only
for PUSH VERSION!



PRE-INSTALLATION INFORMATIONS



3 WAYS - ONLY PUSH VERSION

