

Completion Concealed Box

Mounting Instructions

Pressure range min/max 0,5/5 bar

(in case of water pressure higher than 5 bar we recommend installing pressure reducers).

Recommended pressure 3 bar.

Operation:

Either with gas or electric accumulation boilers.

Centralised systems.

Safety lock at: 41° C

Min. Working temperature: 3° C

Min. recommended: 15° C

Max. Working temperature: 70° C

Max. recommended: 65° C

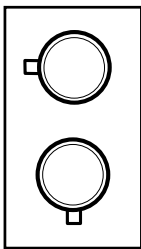
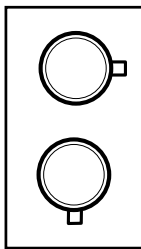
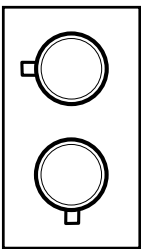
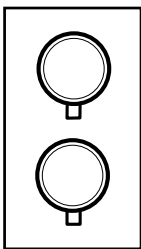
Recommended thermal differential 50° C

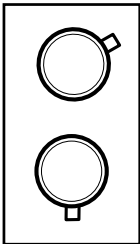
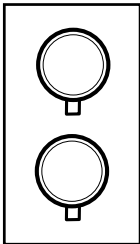
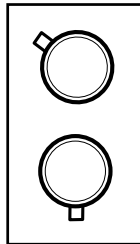
Thermal disinfection is allowed.

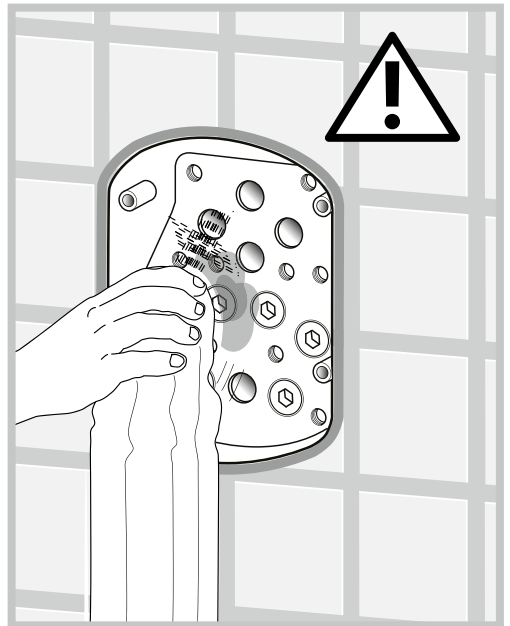
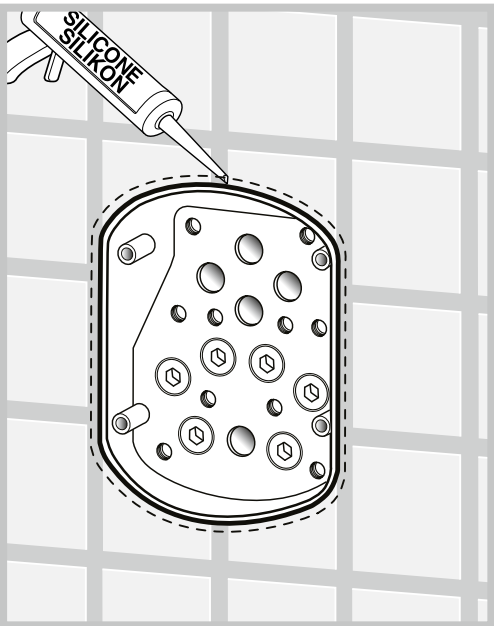
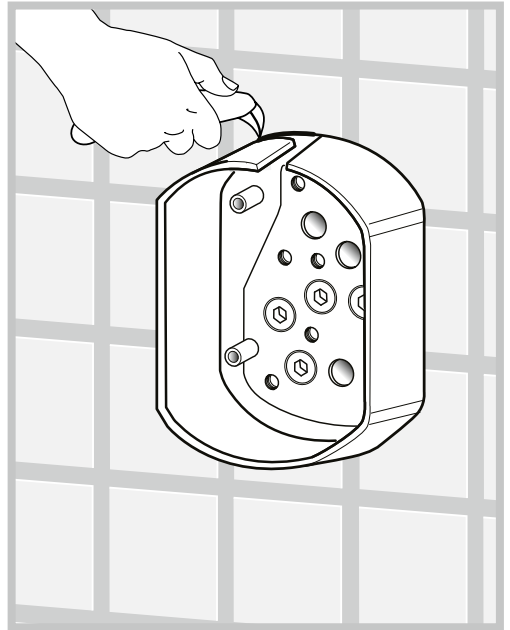
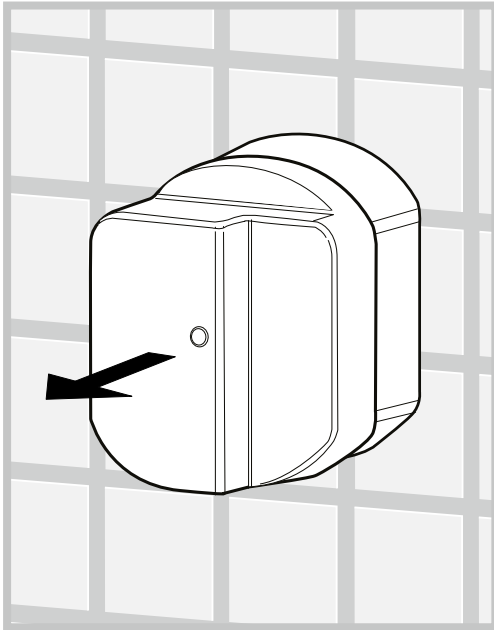
Safety system with flow stop in case of lack of one of the two waters.

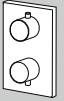
Warning: contact the plumber for the choice of the best water heating device.

Press.	FLOW RATE (L/min)
---------------	----------------------------

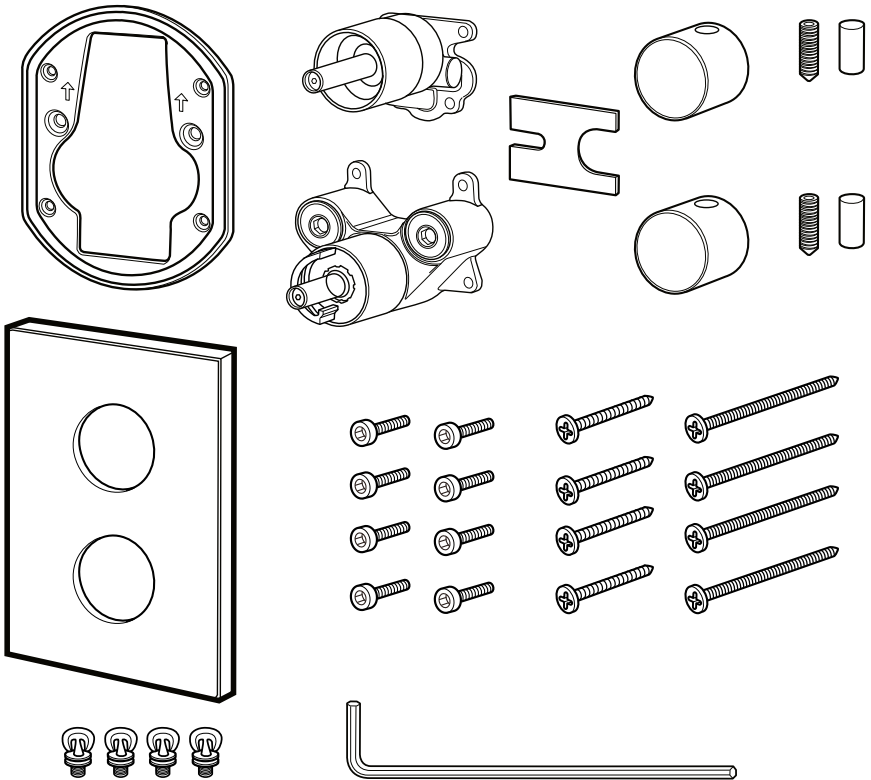
bar	Term. 1 way	Term. 2 way		
	 Exit 1/2/3	 Exit 2	 Exit 3	 Mix
0,5	8,2	8,2	8,2	9,2
1	11,7	11,7	11,7	13,2
2	16,7	16,4	16,4	18,7
3	20,7	20	20	22,9
4	24	23	23	26,4
5	26,6	25,8	25,8	29,5

Press.	FLOW RATE (L/min)			
Term. 3 ways				
bar				
	Exit 1	Exit 2	Exit 3	
	0,5	9,4	8,1	8,1
	1	13,4	11,6	11,6
	2	19,2	16,6	16,6
	3	23,7	20,5	20,5
	4	27,4	23,8	23,8
5	30,5	26,6	26,6	



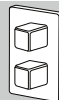


THERMOSTATIC 1-2-3 WAYS

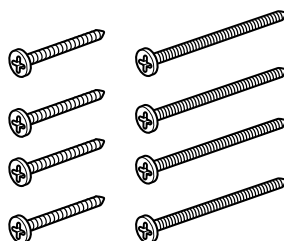
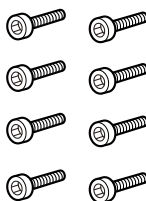
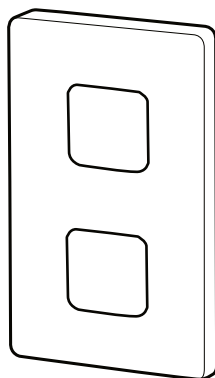
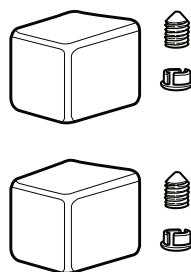
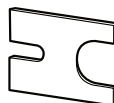
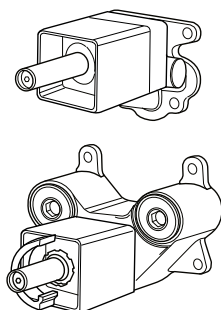
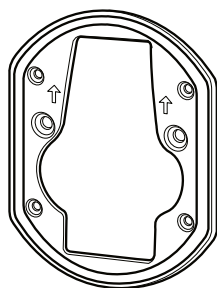


GB Mounting Instructions

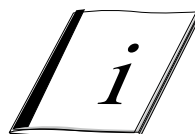




THERMOSTATIC 1-2-3 WAYS

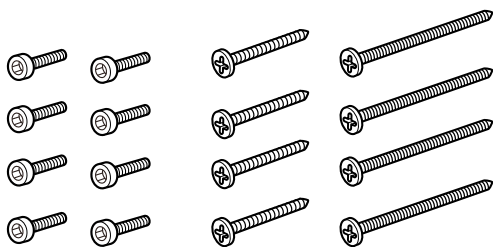
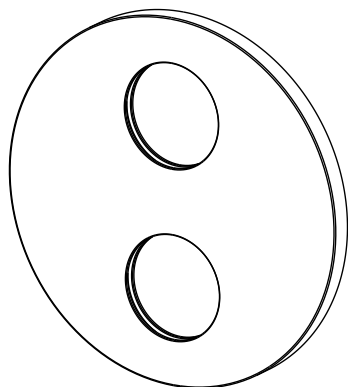
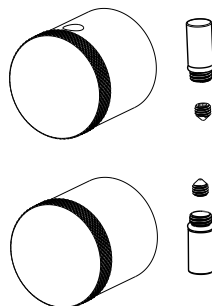
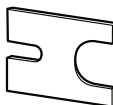
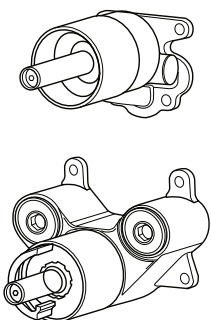
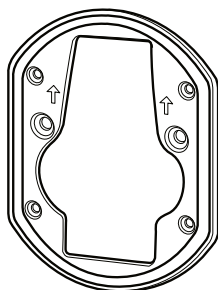


GB Mounting Instructions



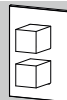


THERMOSTATIC 1-2-3 WAYS

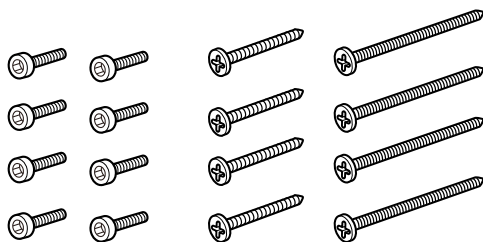
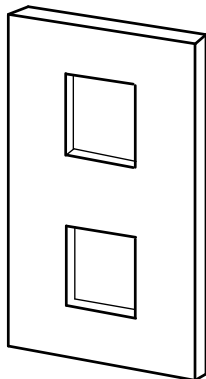
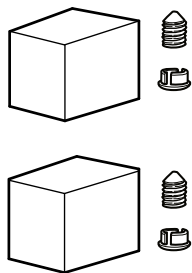
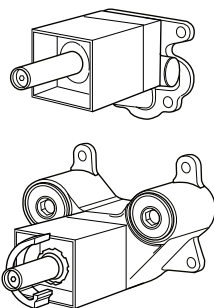
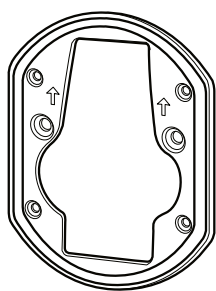


GB Mounting Instructions





THERMOSTATIC 1-2-3 WAYS

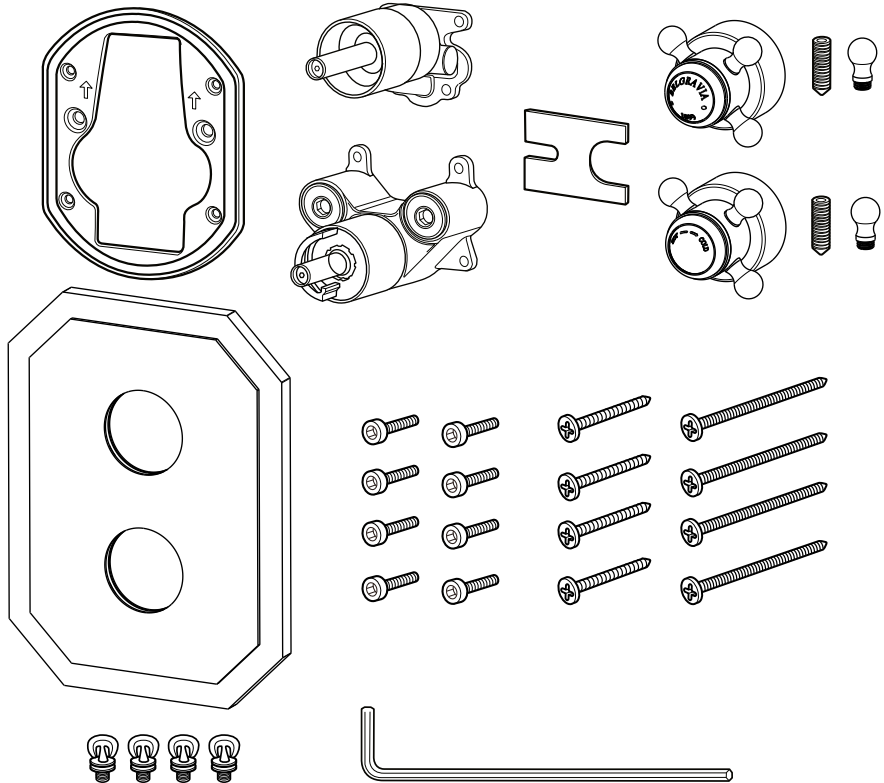


GB Mounting Instructions



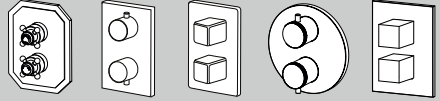


THERMOSTATIC 1-2-3 WAYS

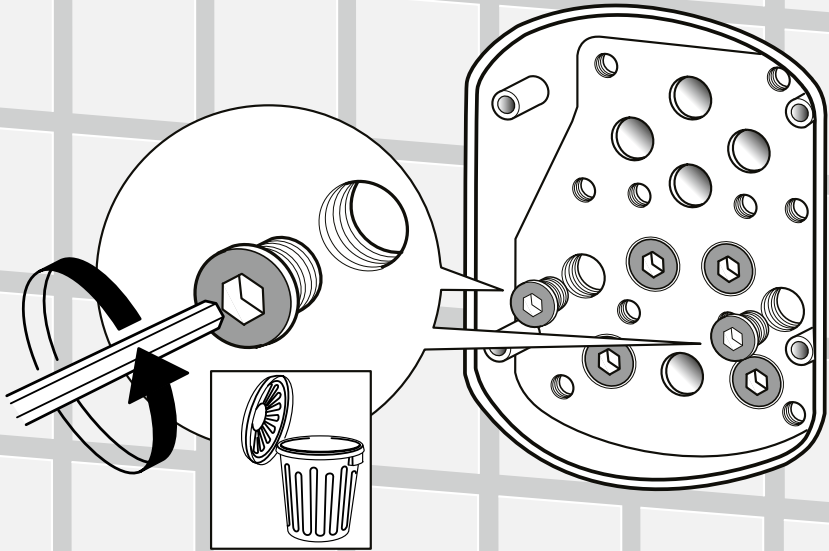


GB Mounting Instructions

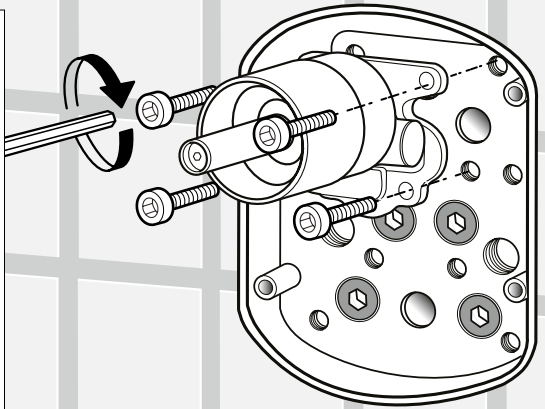
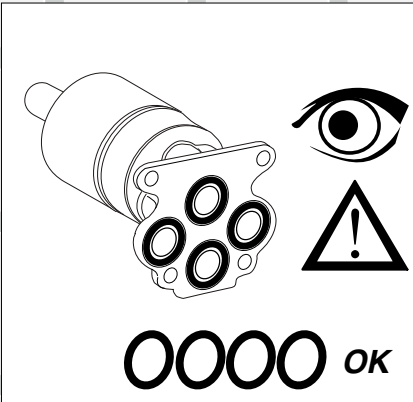


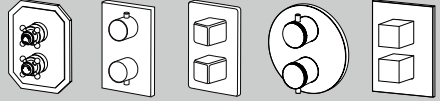


1

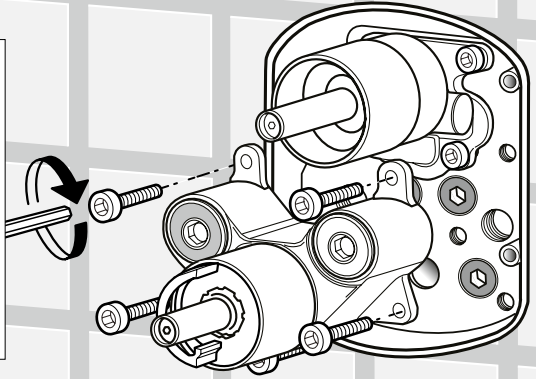
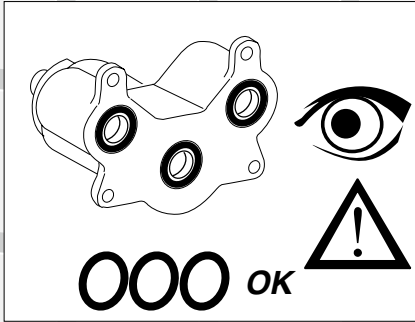


2

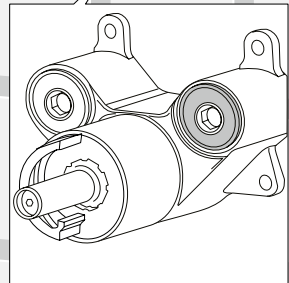
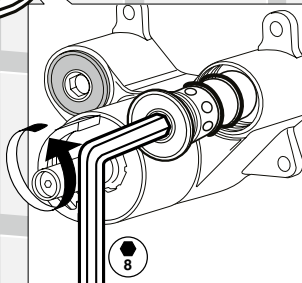
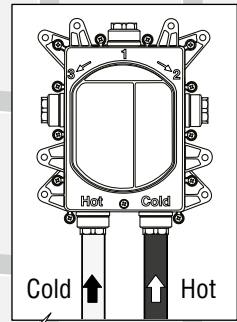
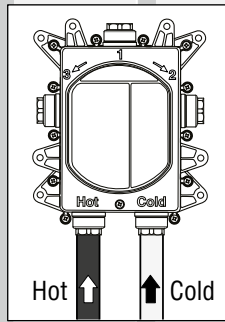
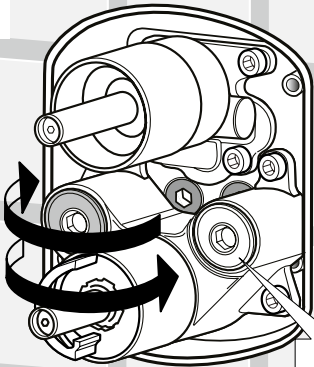


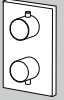


3

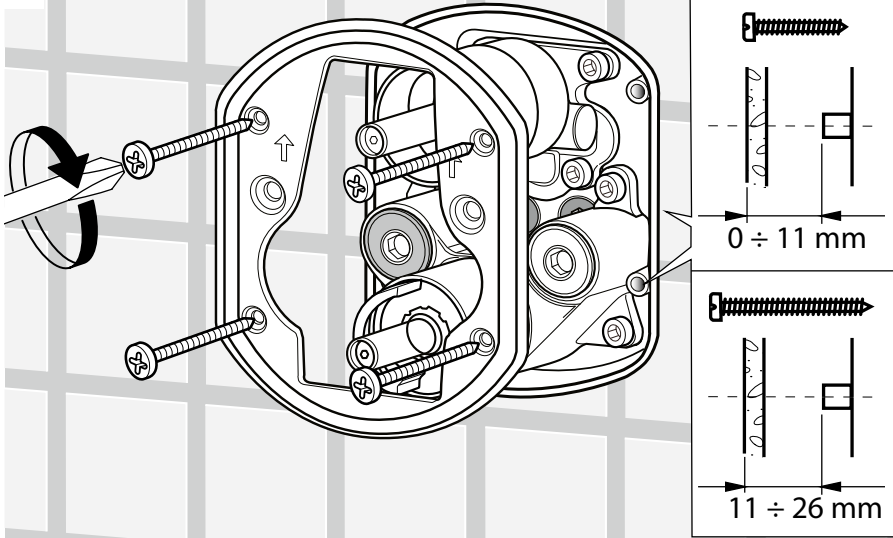


4

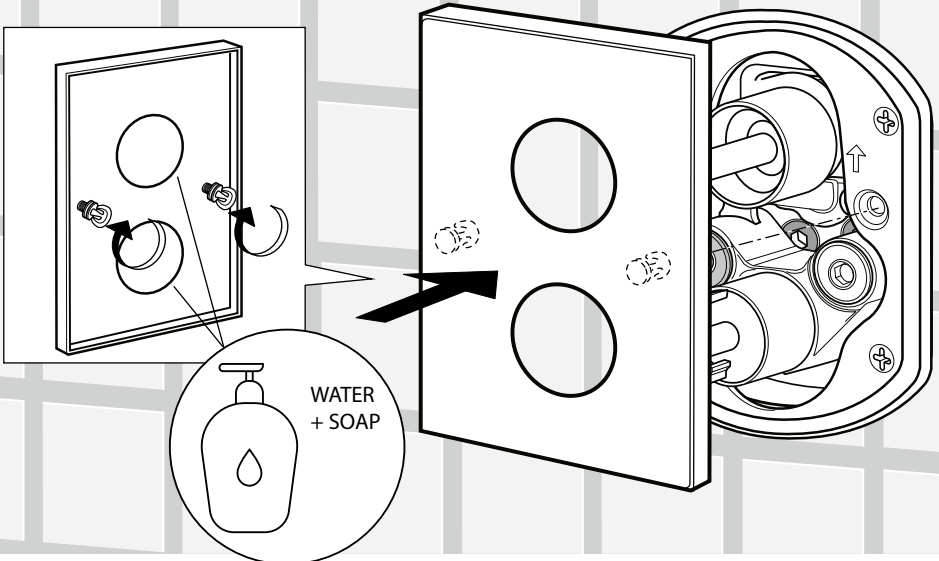


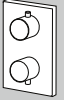


5

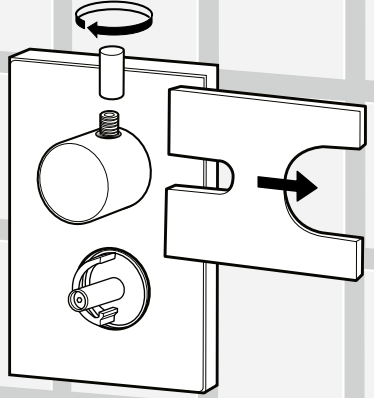
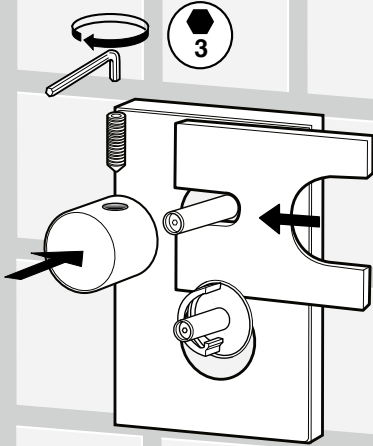


6A

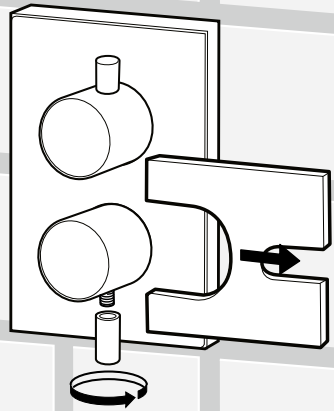
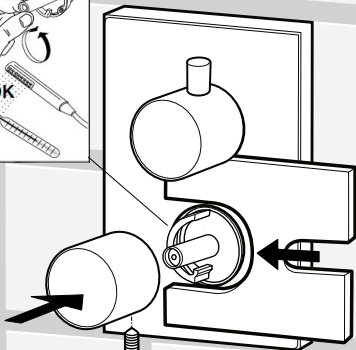


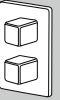


7A

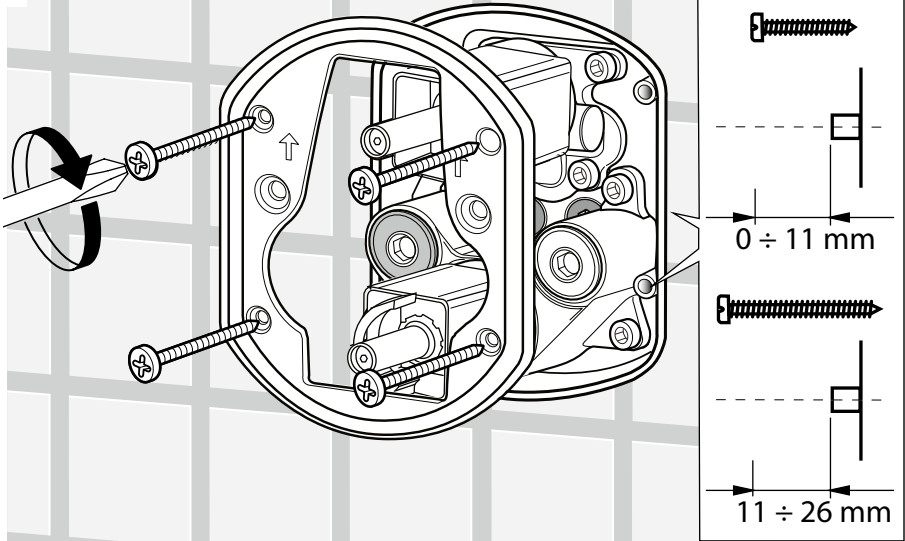


8A

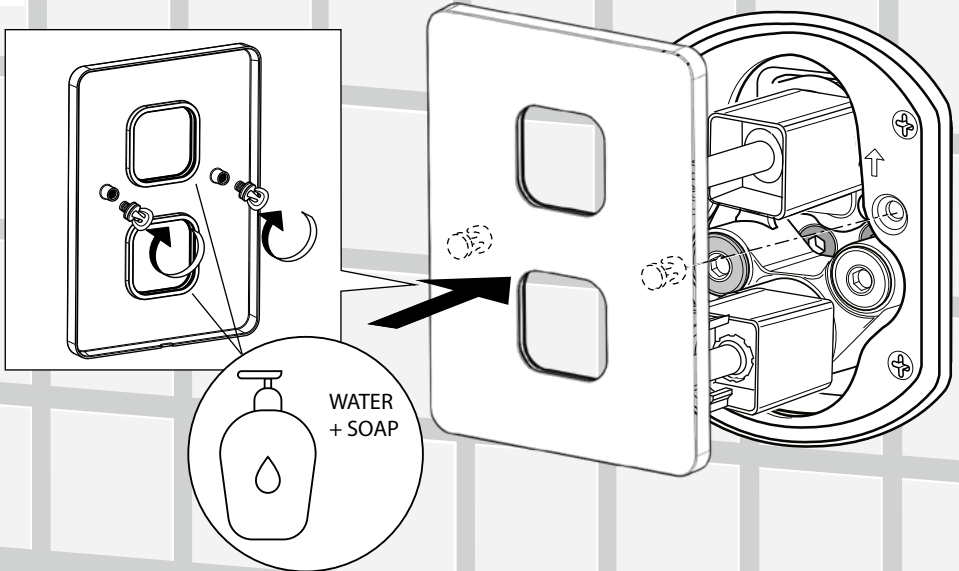


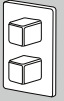


5

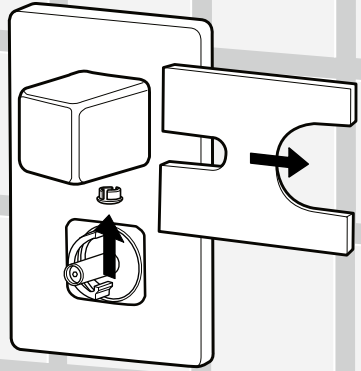
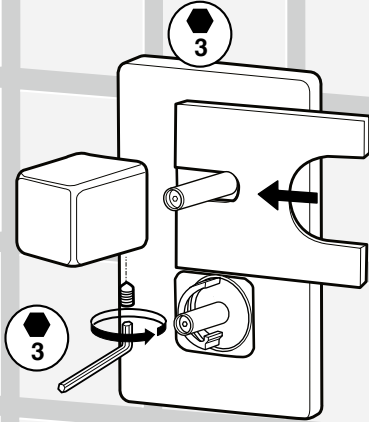


6B

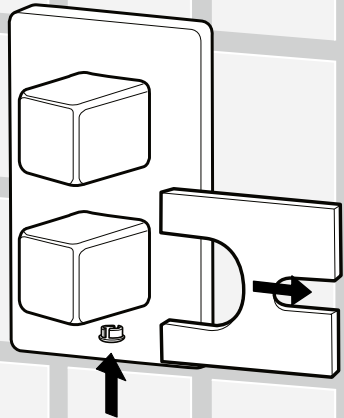
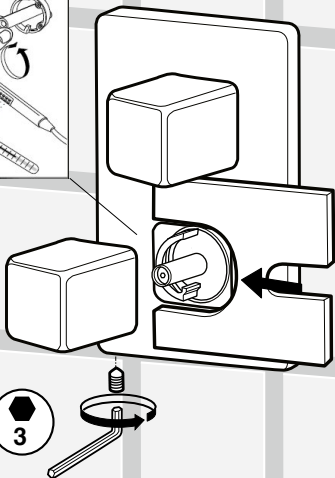




7B

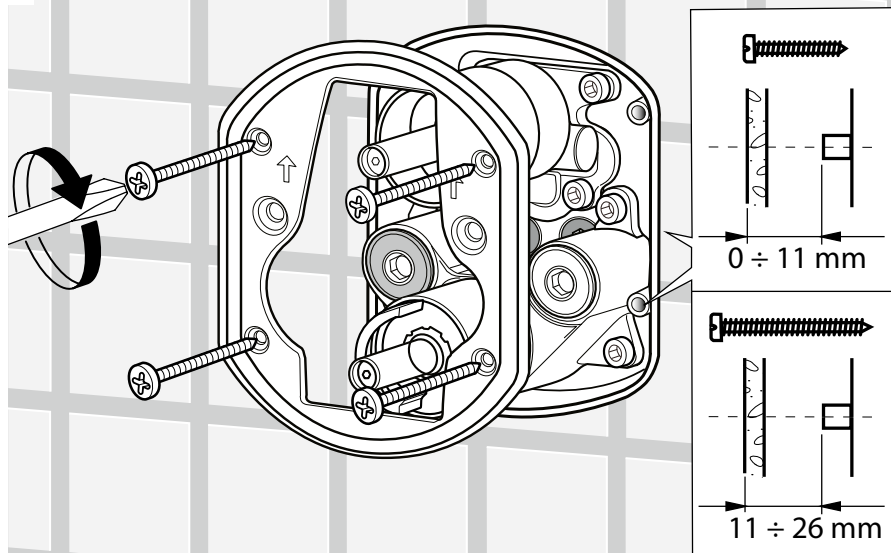


8B

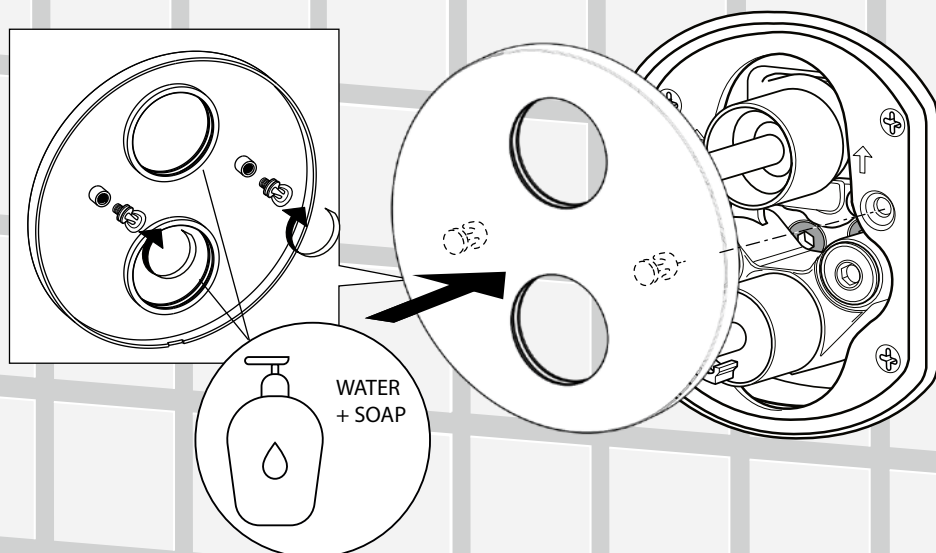




5

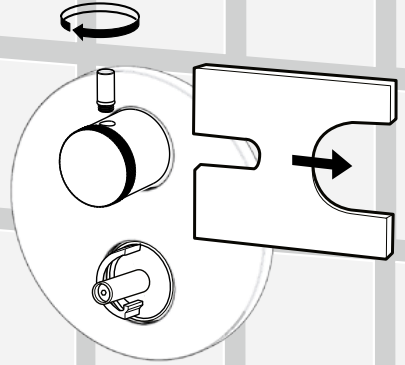
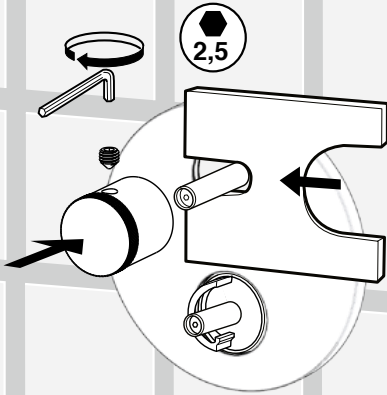


6C

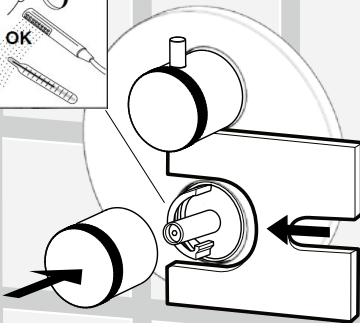




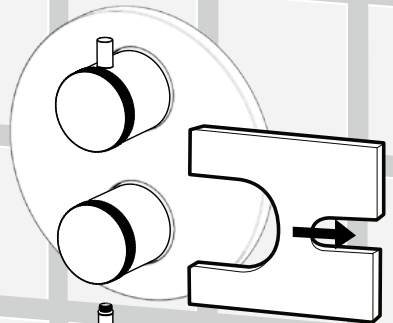
7C

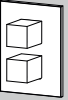


8C

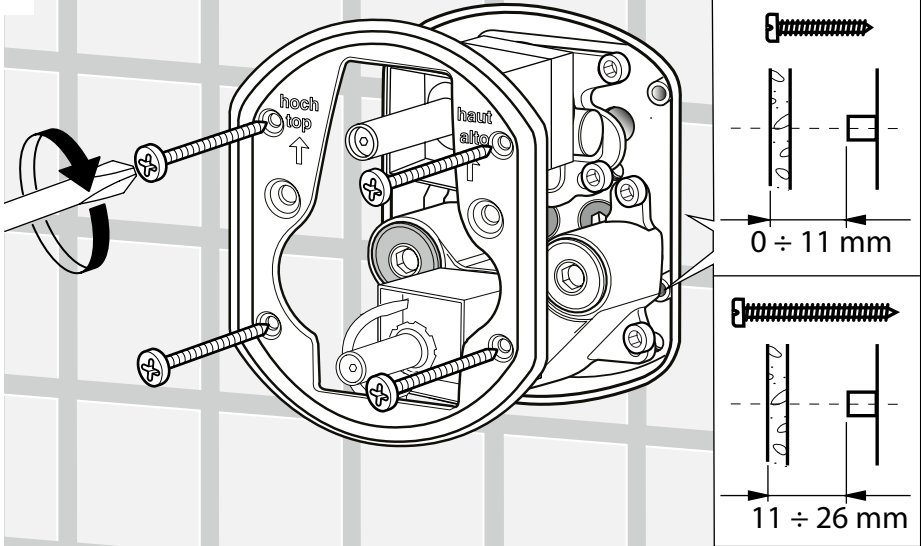


2,5

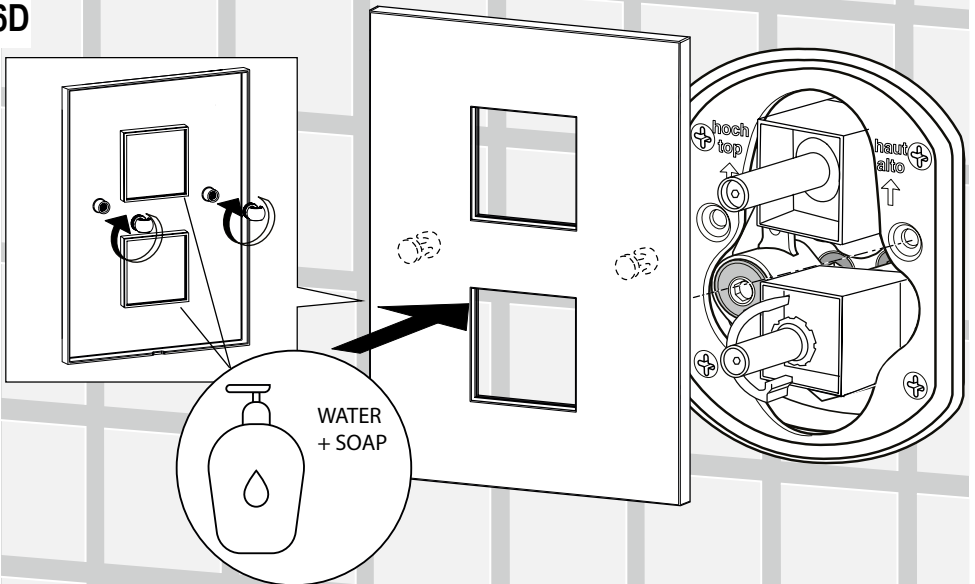


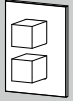


5

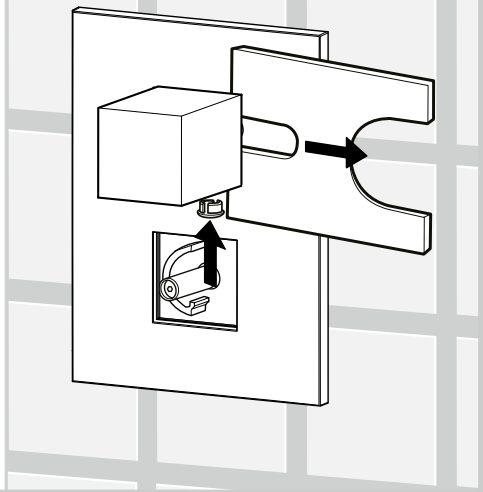
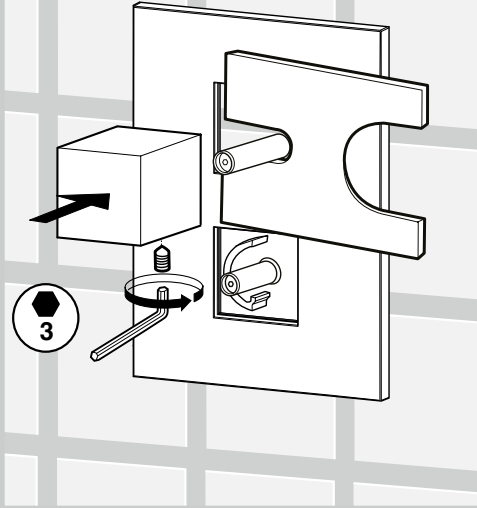


6D

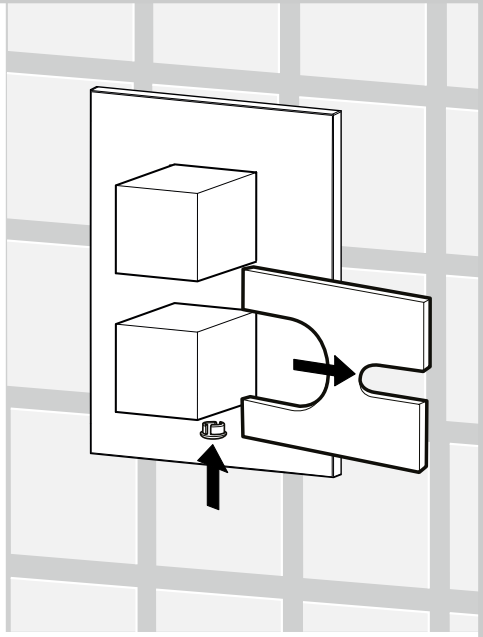
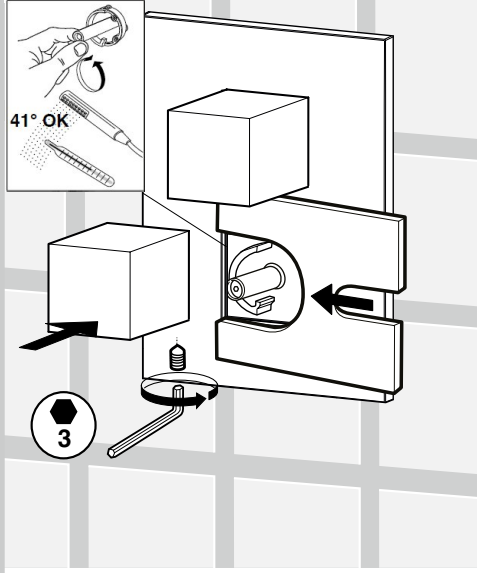




7D

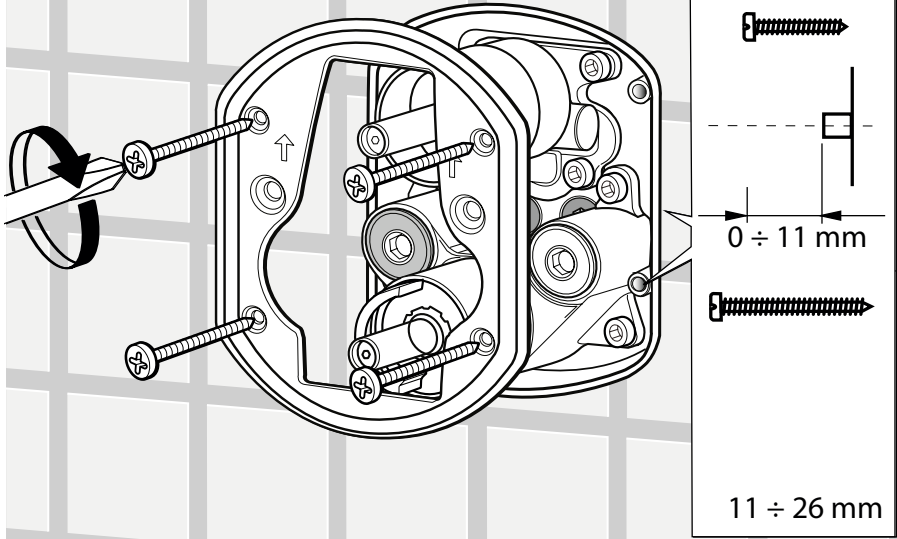


8D

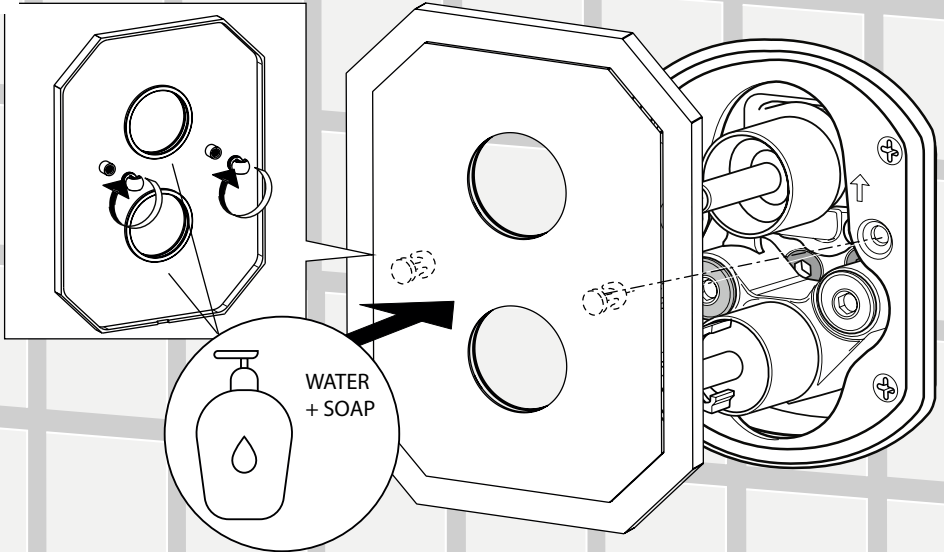




5

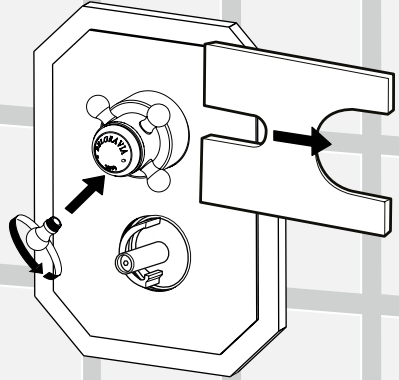
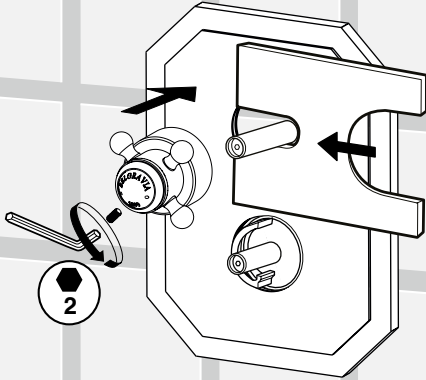


6E

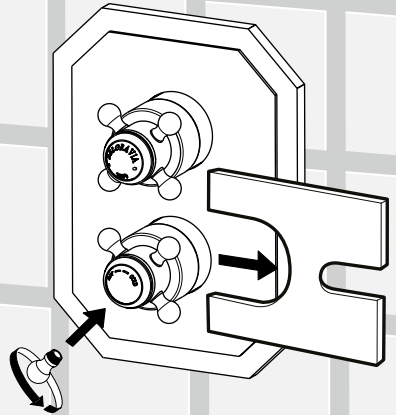
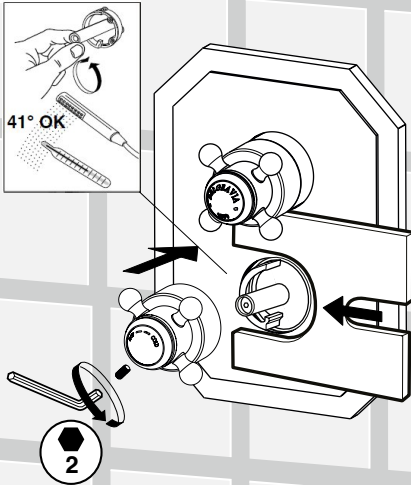


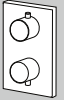


7E

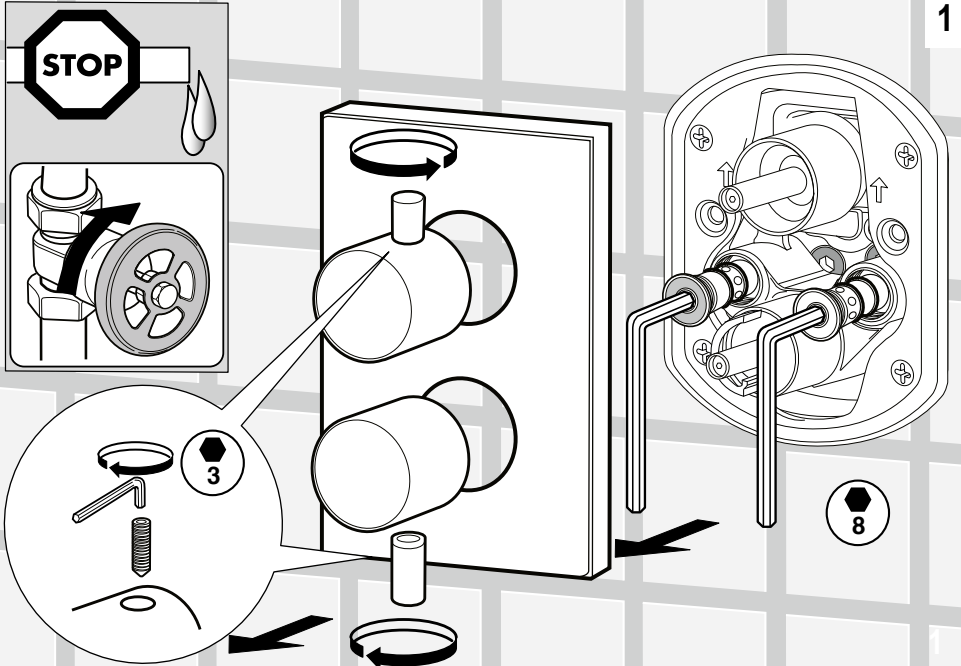


8E

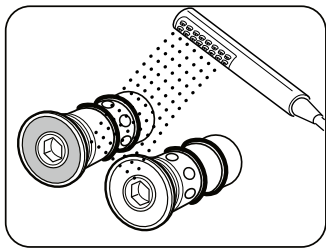
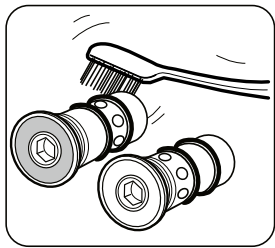
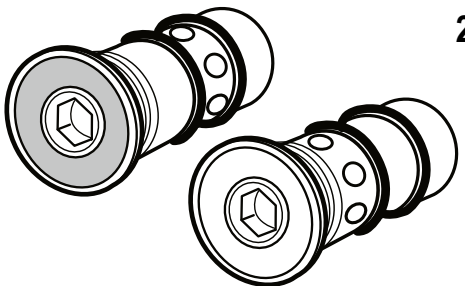
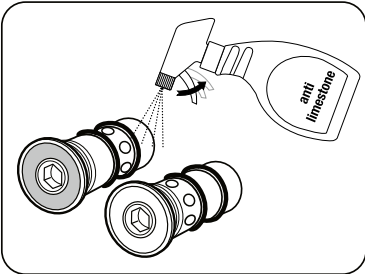


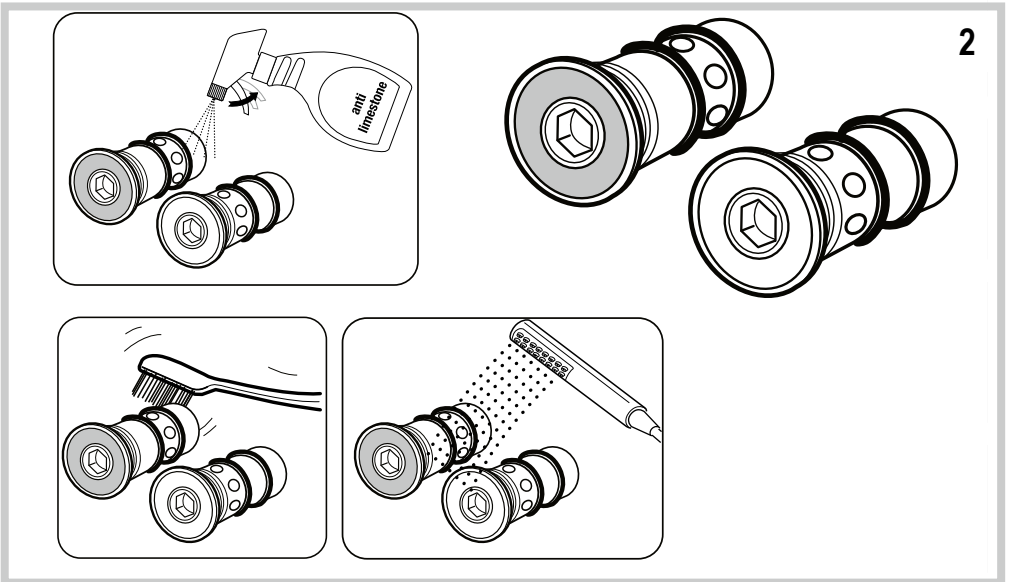
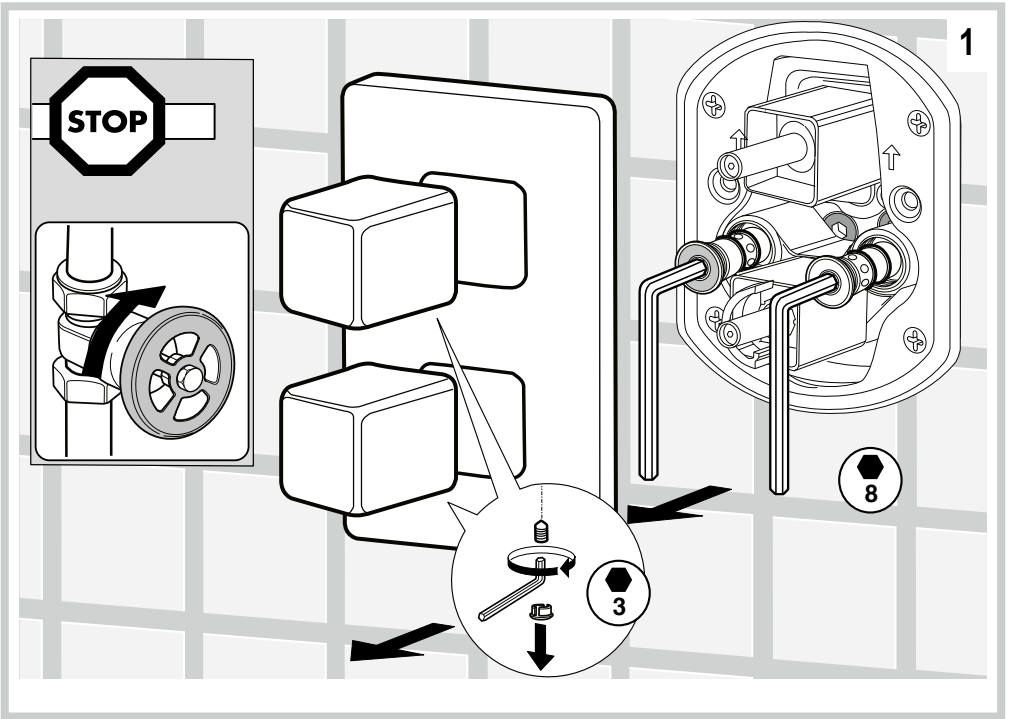
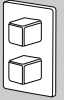


1



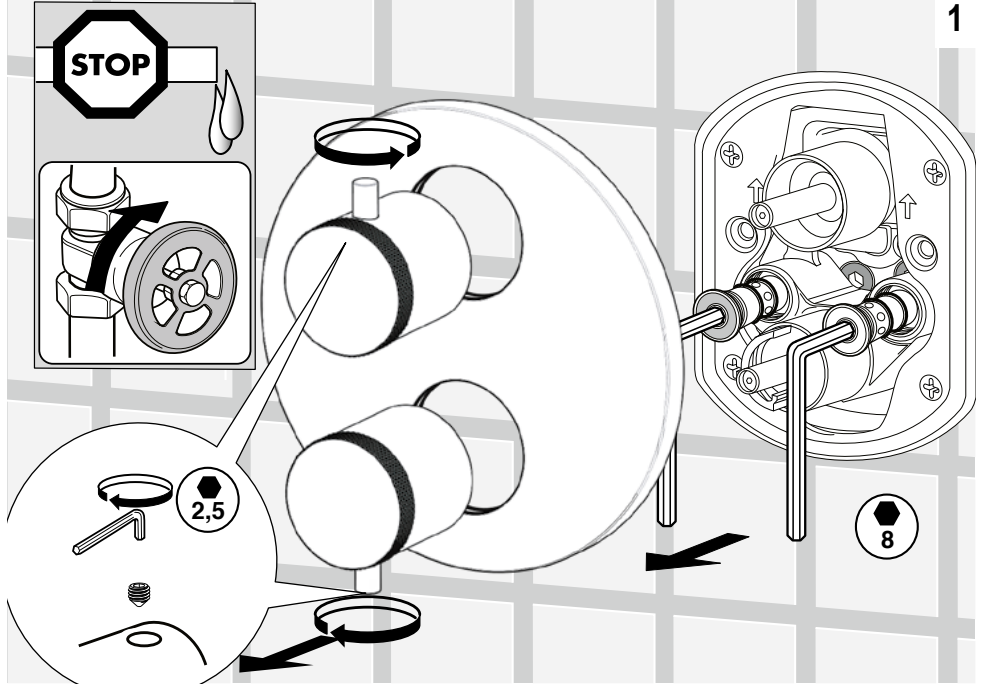
2



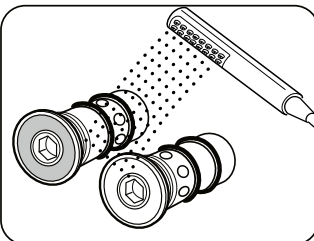
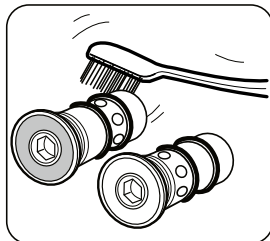
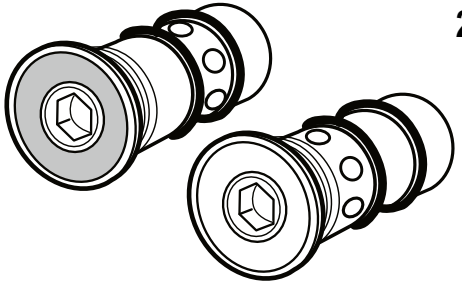
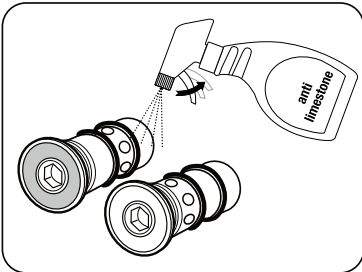


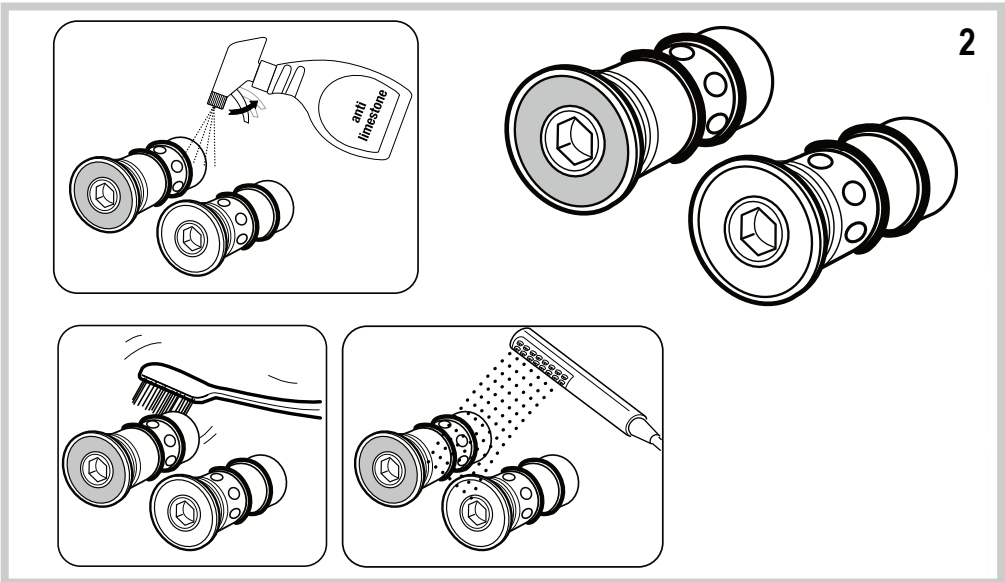
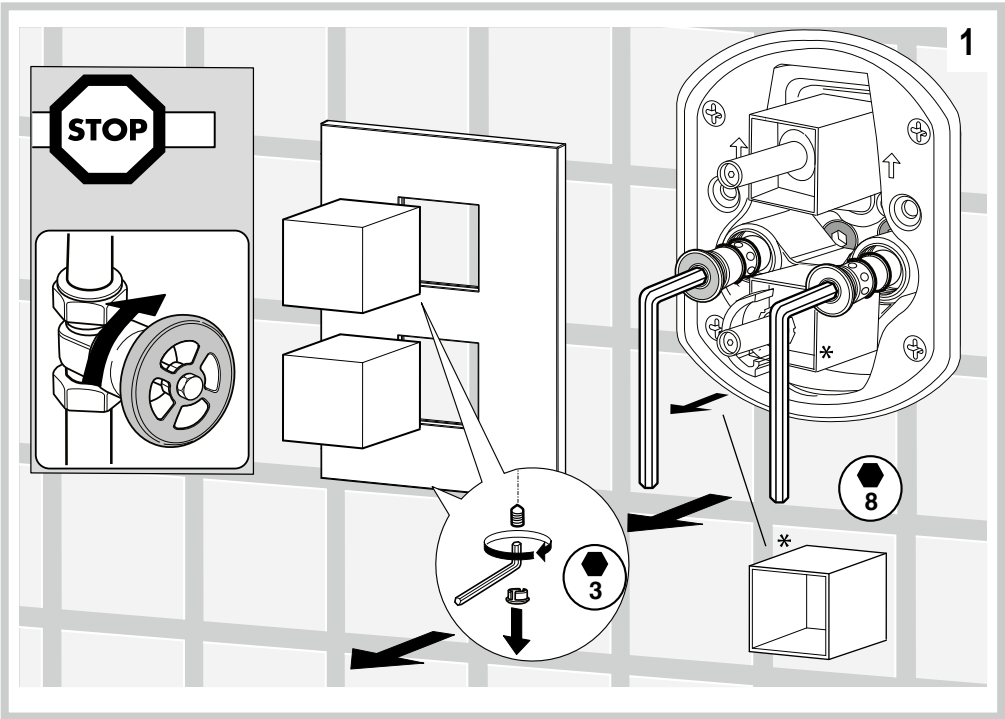
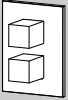


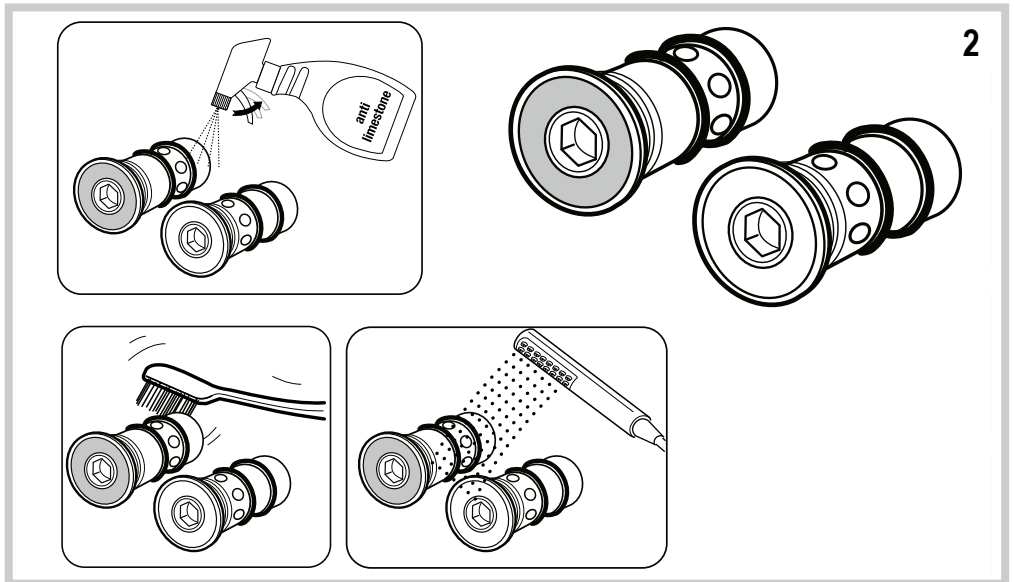
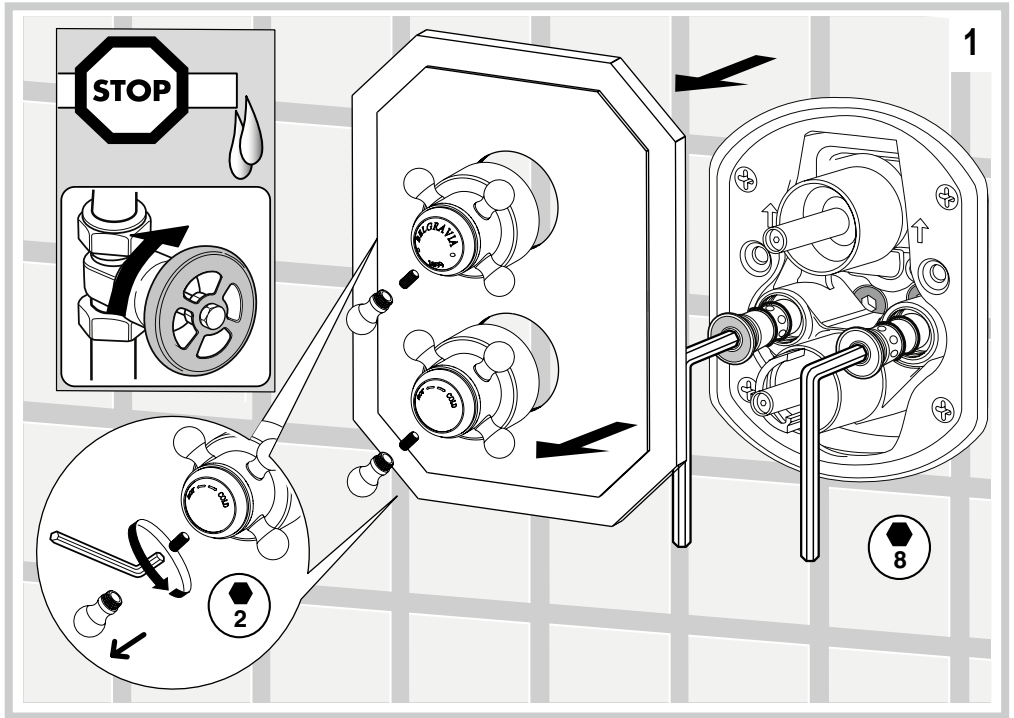
1

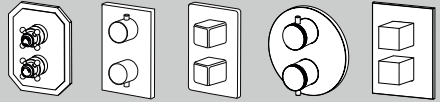


2

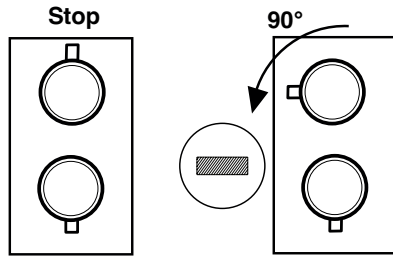




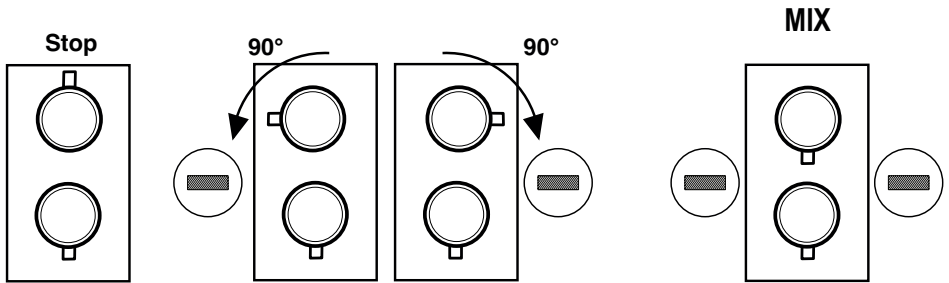




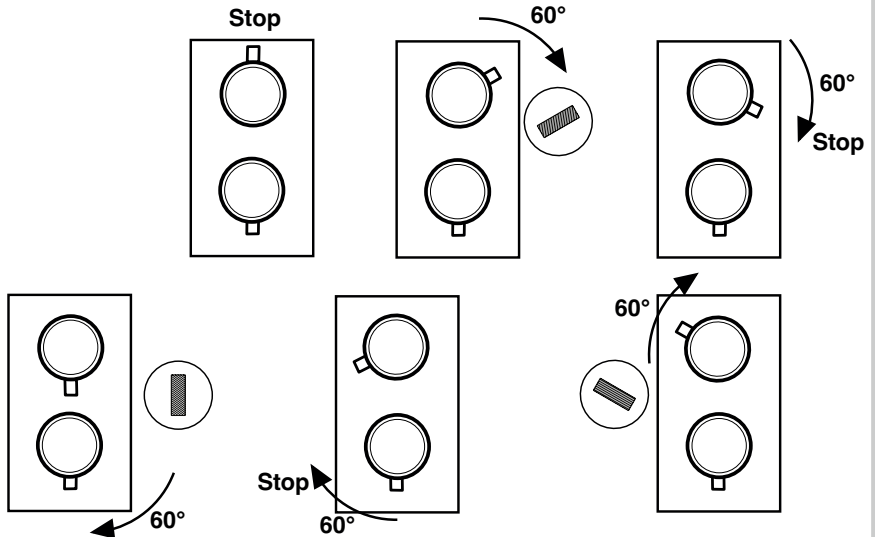
THERMOSTATIC 1 WAY

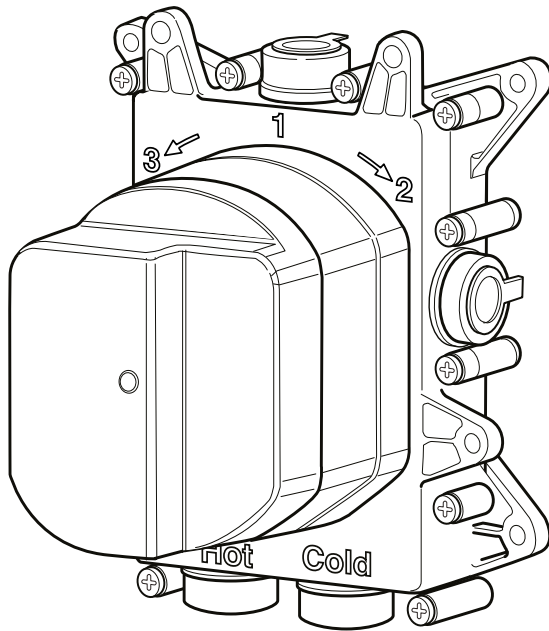


THERMOSTATIC 2 WAYS



THERMOSTATIC 3 WAYS



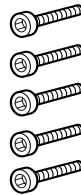
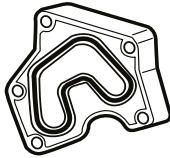
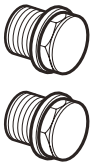
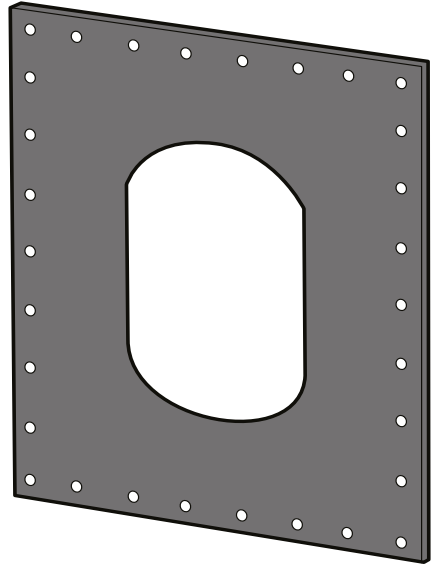
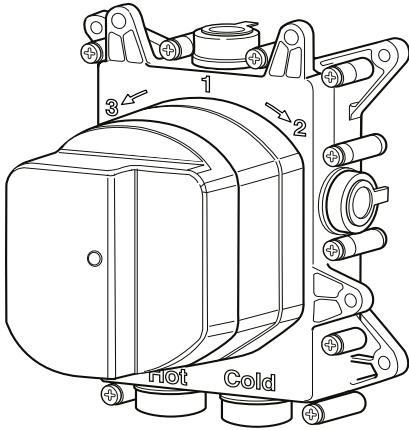


Concealed Box

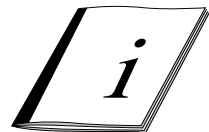
Mounting Instructions

1

PACKAGE CONTENT



Mounting instructions



*Pressure range min/max 0,5/5 bar
(in case of water pressure higher than 5 bar we recommend installing pressure reducers).*

Recommended pressure 3 bar.

Operation:

Either with gas or electric accumulation boilers.

Centralised systems.

Safety lock at: 41° C

Min. Working temperature: 3° C

Min. recommended: 15° C

Max. Working temperature: 70° C

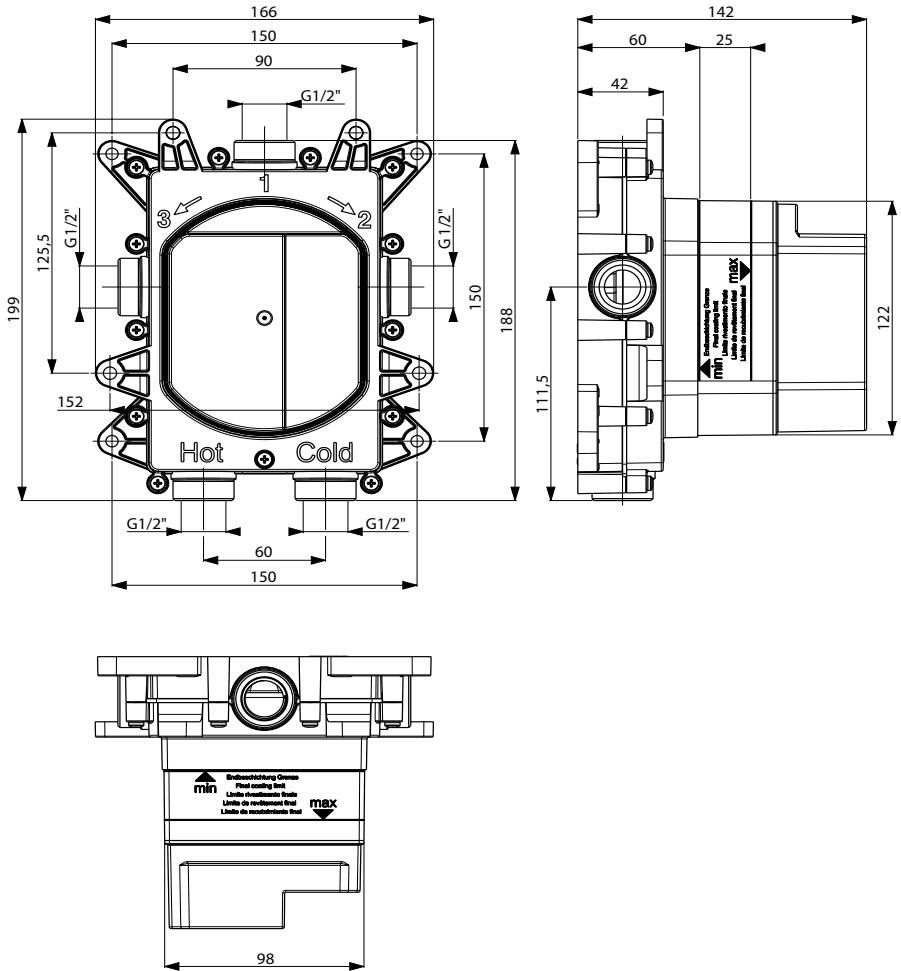
Max. recommended: 65° C

Recommended thermal differential 50° C

Thermal disinfection is allowed.

Safety system with flow stop in case of lack of one of the two waters.

Warning: contact the plumber for the choice of the best water heating device.

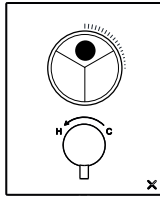


Press.	FLOW RATE (L/min)				
	Push button 2 ways				
bar	Exit 1		Exit 2		
	min.	max.	min.	max.	
	0,5	1,5	7,5	1,5	7,5
	1	2,3	11,3	2,3	11,2
	2	3,5	16,5	3,5	16
	3	4,5	20,5	4,5	20
	4	5,5	23,7	5,2	22,8
	5	5,7	26,5	5,7	25,5

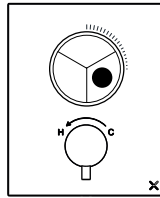
Press.

FLOW RATE (L/min)

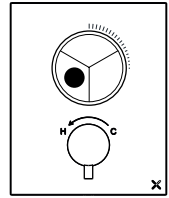
Push button 3 ways



Exit 1



Exit 2



Exit 3

bar

min. max.

min. max.

min. max.

0,5

1,8 8,1

1,8 7,7

1,8 7,7

1

2,7 11,8

2,6 11,5

2,6 11,5

2

3,9 16,8

3,9 16,7

3,9 16,7

3

4,8 20,7

4,8 20,5

4,8 20,5

4

5,5 24

5,5 23,7

5,5 23,7

5

6,2 26,7

6,2 26,6

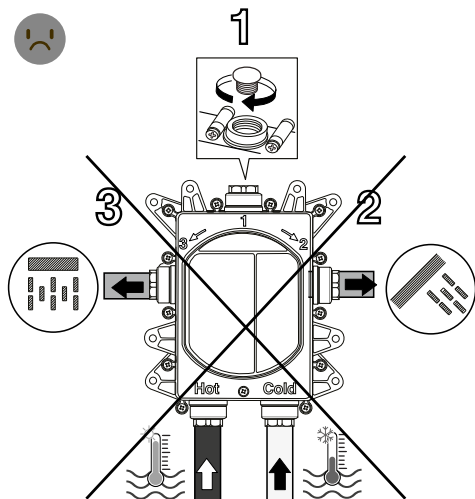
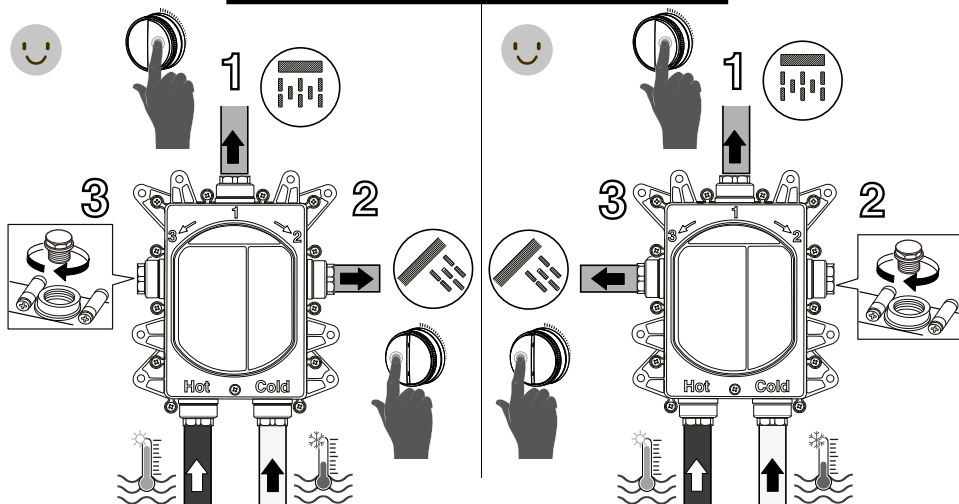
6,2 26,6



2 WAYS - ONLY PUSH VERSION



ATTENTION:
indications valid only
for PUSH VERSION!



**3 WAYS - ONLY PUSH VERSION**

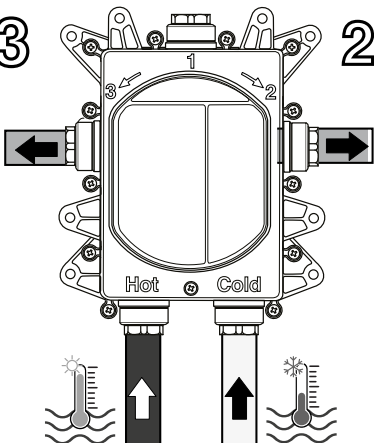
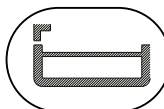
ATTENTION:
indications valid only
for PUSH VERSION!



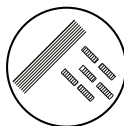
1

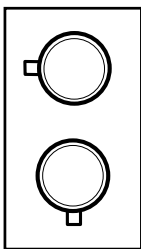
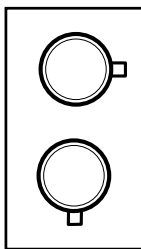
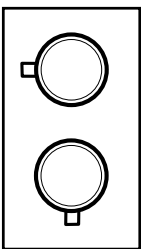
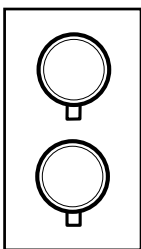


3



2

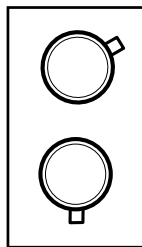


Press.	FLOW RATE (L/min)			
	Term. 1 way	Term. 2 way		
				
bar	Exit 1/2/3	Exit 2	Exit 3	Mix
0,5	8,2	8,2	8,2	9,2
1	11,7	11,7	11,7	13,2
2	16,7	16,4	16,4	18,7
3	20,7	20	20	22,9
4	24	23	23	26,4
5	26,6	25,8	25,8	29,5

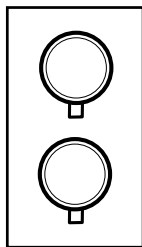
Press.

FLOW RATE (L/min)

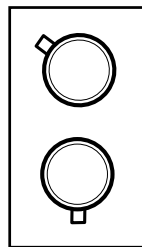
Term. 3 ways



Exit 1



Exit 2



Exit 3

bar

0,5

9,4

8,1

8,1

1

13,4

11,6

11,6

2

19,2

16,6

16,6

3

23,7

20,5

20,5

4

27,4

23,8

23,8

5

30,5

26,6

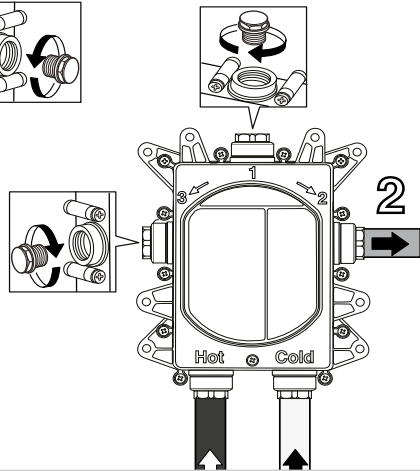
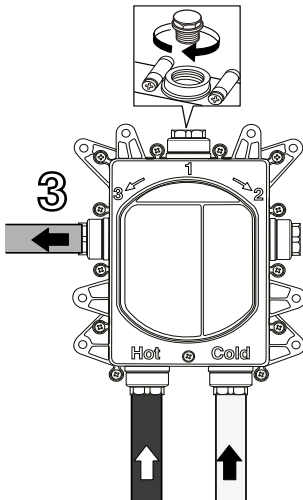
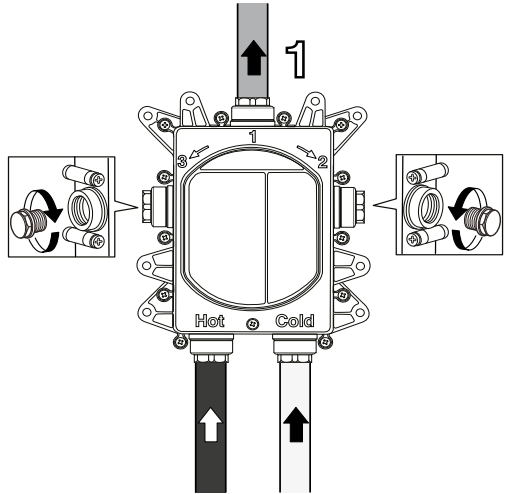
26,6



ATTENTION:
indications valid only
for **OTHER VERSIONS!**

Use hemp or teflon

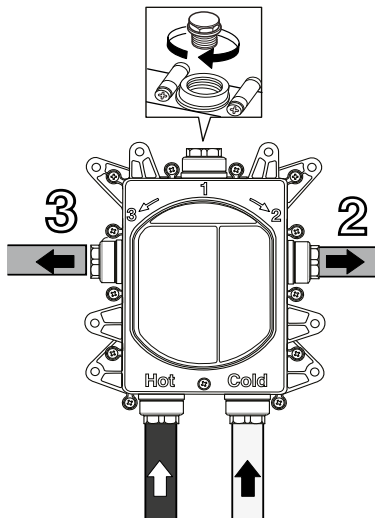
1 way



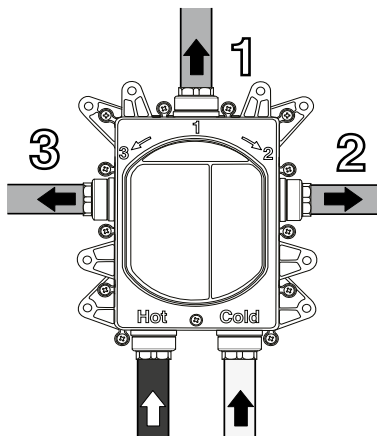


ATTENTION:
indications valid only
for **OTHER VERSIONS!**

2 ways

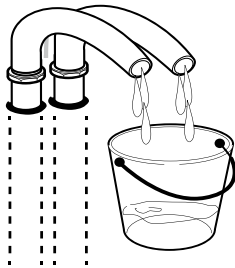
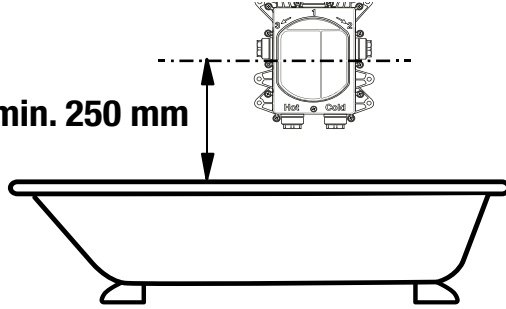


3 ways

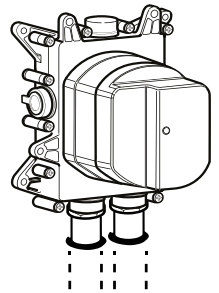
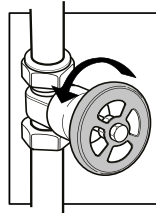


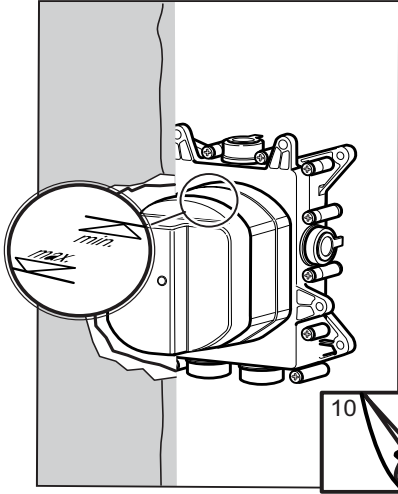


min. 250 mm

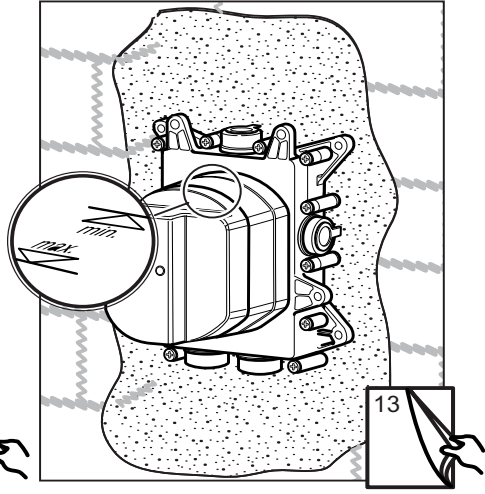


1° → 2°

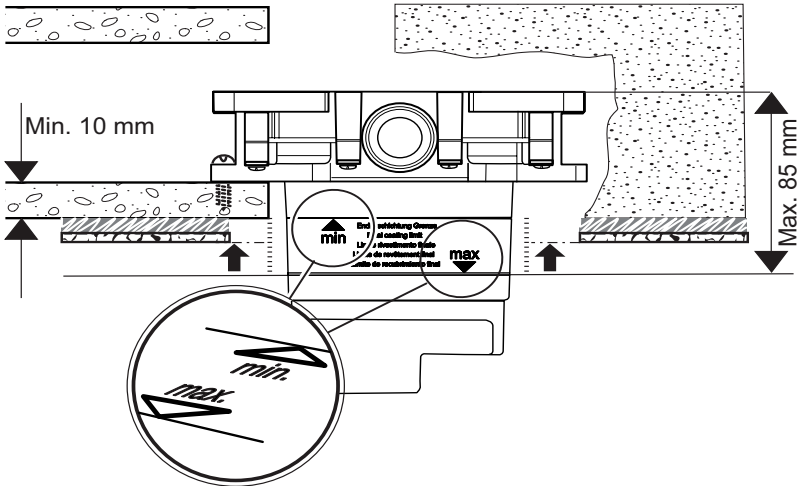


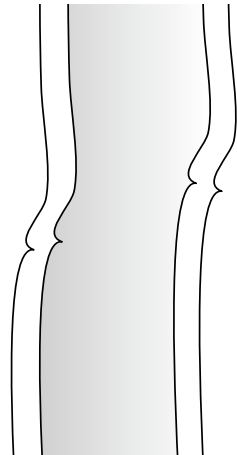
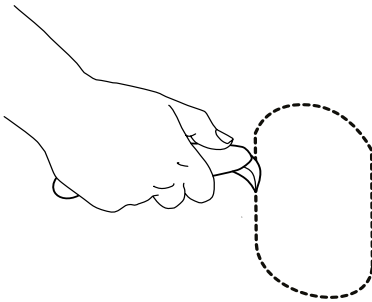
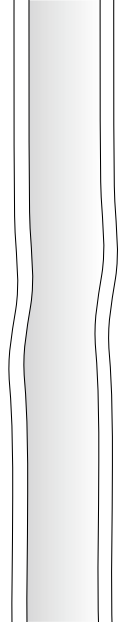
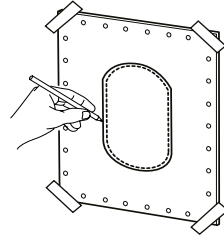
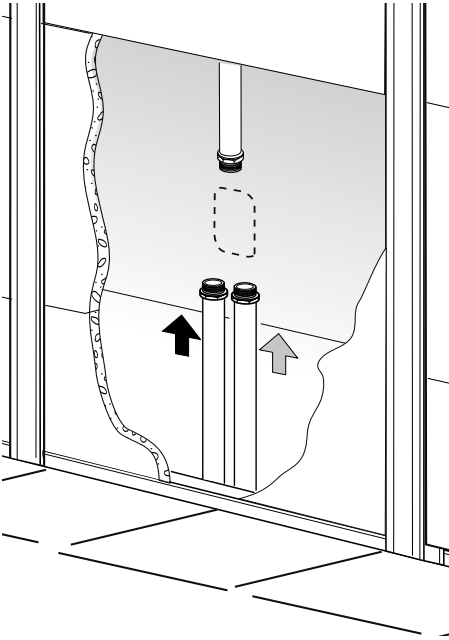


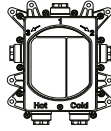
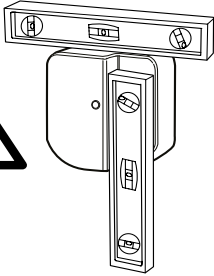
Mounting on plasterboard wall



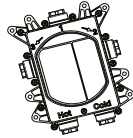
Wall mounting



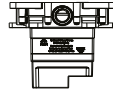




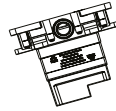
OK



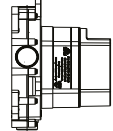
NO



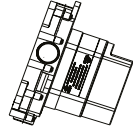
OK



NO



OK



NO

