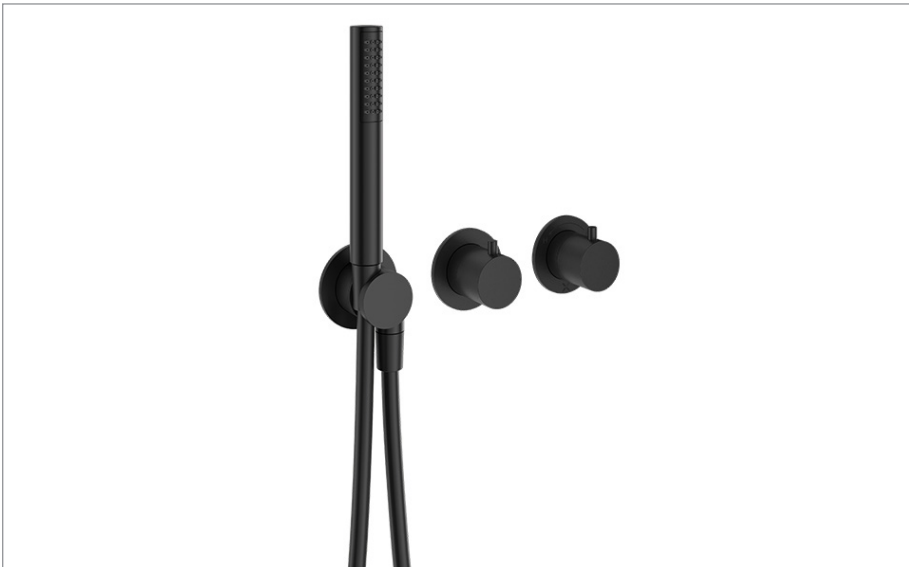


# PRODUCT DATA SHEET



**PRODUCT CODE**

PROMOD1701TRIMM

**RANGE**

MODULE

**DESCRIPTION**

Module 2 Control Trimset Matt Black With Handshower

COLOUR Matt Black

MATERIAL Brass

FINISH Powder Coated

INSTALLATION TYPE Wall Mounted

WEIGHT 1.9kg

STANDARDS EN 1111:2008

WARRANTY 15 Years

MIN. PRESSURE 1 Bar

MAX. PRESSURE 5 Bar

**MOD1701R - 2 OUTLET**

PRESSURE (BAR)	FLOWRATE			
	EXIT 1	EXIT 2 HAND SHOWER	EXIT 1+2	
MID	0.5	9.2	4.2	9.3
	1	13	6	13.4
	2	18.7	8.5	19
HIGH	3	23	10.7	23.5
	4	26.5	12.3	27
	5	29.5	13.8	30.3

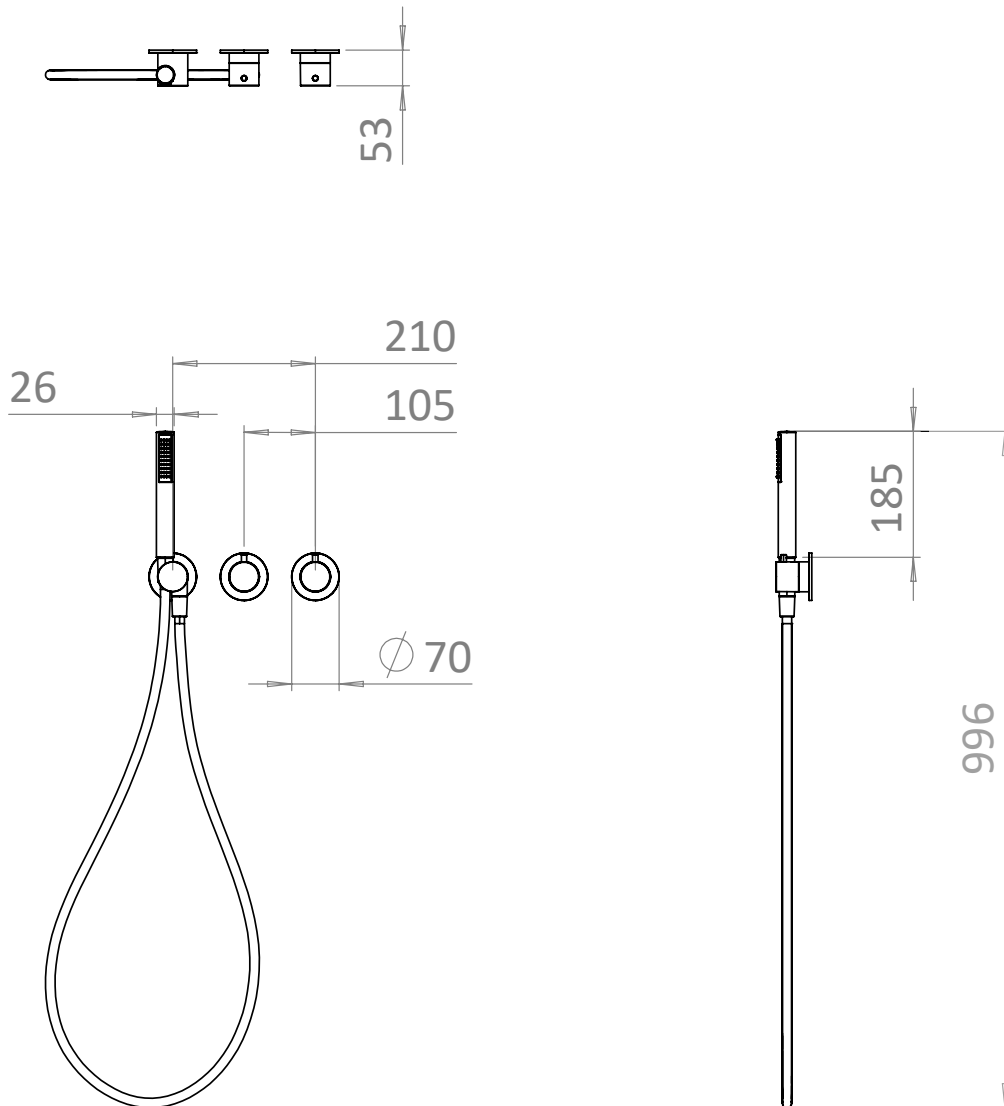
**MOD3701R - 3 OUTLET**

PRESSURE (BAR)	FLOWRATE			
	EXIT 1	EXIT 2 HAND SHOWER	EXIT 3	
MID	0.5	10	4.1	9.7
	1	13.7	6	13.4
	2	19.5	8.5	19
HIGH	3	23.8	10.6	23.3
	4	27.5	12.3	26.8
	5	30.5	13.8	29.8

## TECHNICAL DIMENSIONS

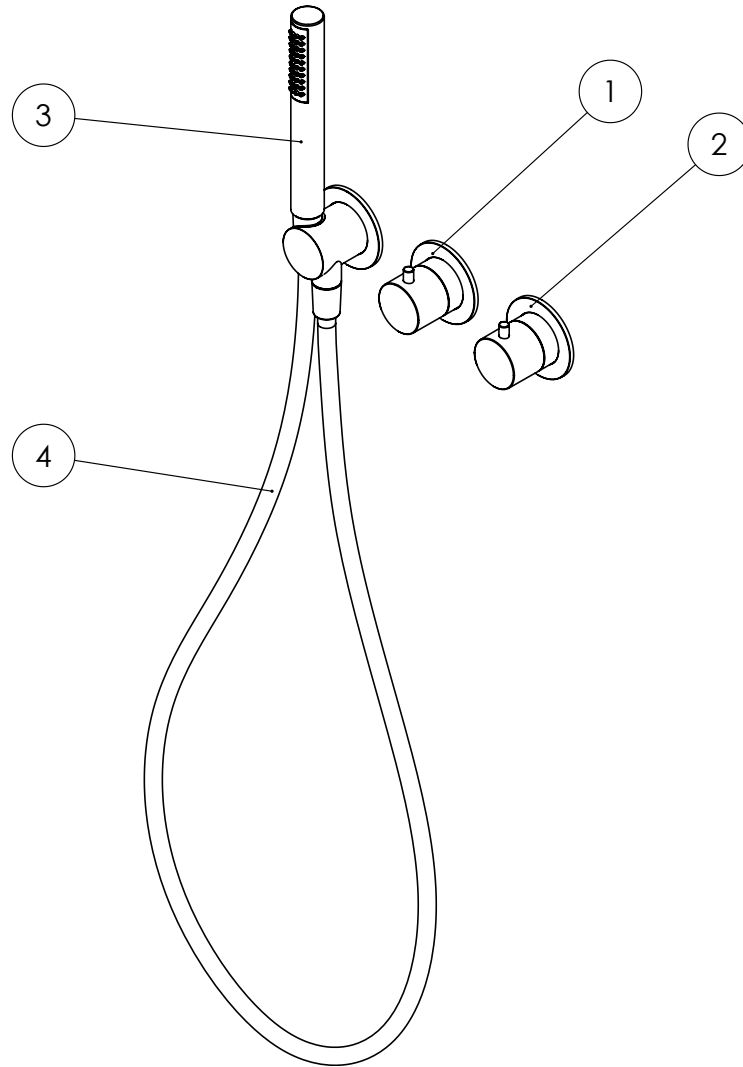
Dimensions in mm unless otherwise specified.

Tolerances (per material type) apply.



V10622

**SPARES DIAGRAM**



NUMBER	PART CODE	DESCRIPTION
1	E005058.130HESC	Mod Handle, Collar and Plate for Diverter Matt Black
2	E005056.130HESC	Mod Handle, Collar and Plate for Thermostat Matt Black
3	E082019.14100SC	Module Bath Spout Matt Black
4	C084043.00050ZZ	Module Shower Hose Matt Black

Only the parts labelled are available as spares.

V10622