

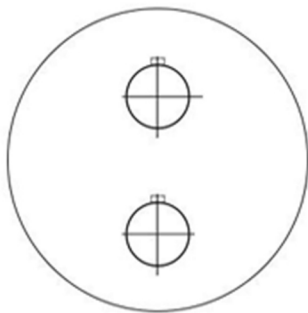


Technical Data Sheet

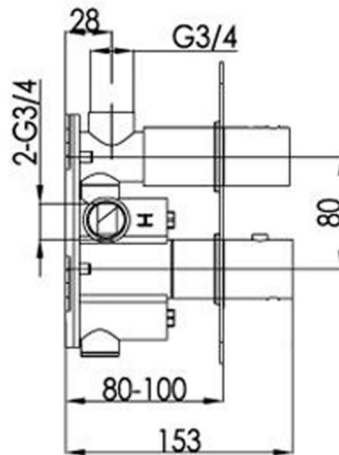
Product range: HUGO

Product code: 71671CL

Finishes Available: Chrome



200 Ø



Min Pressure:

MP 0.5

Approvals:

N/A

Connections:

G 3/4"

Warranty:

15 Years (5 on cartridges)

Flow Rate