

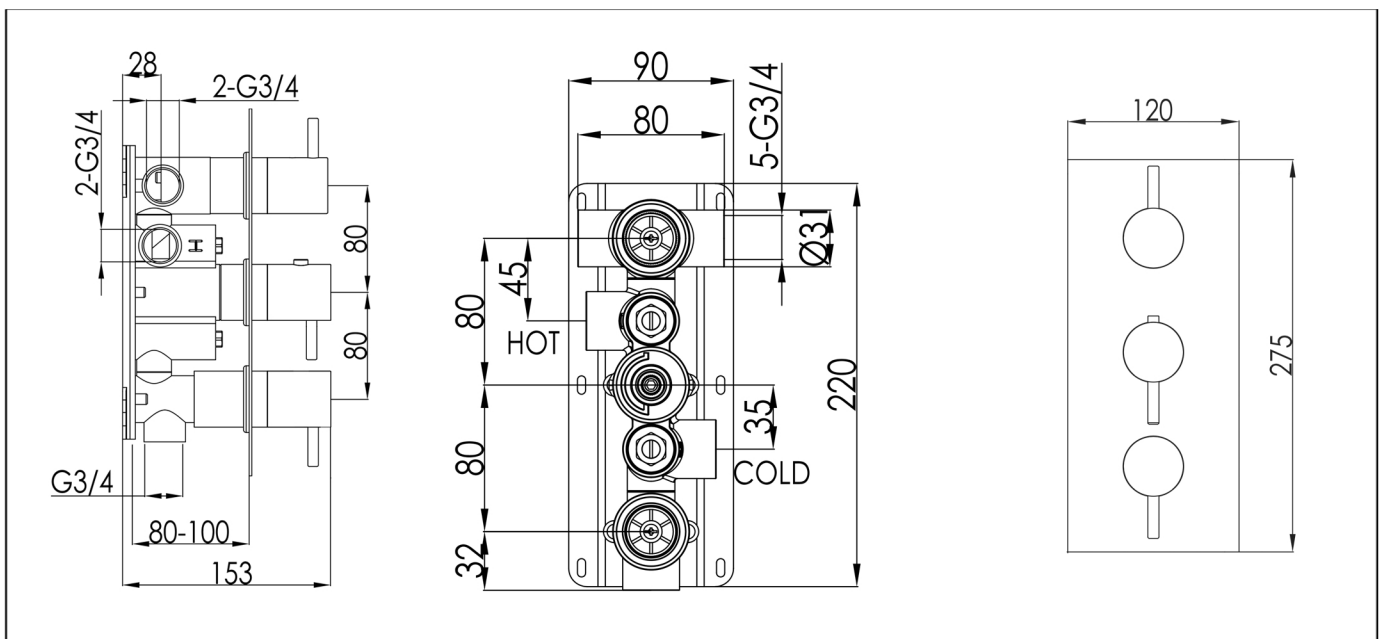


Technical Data Sheet

Product range: FLORENCE

Product code: 15692A

Finishes Available: Chrome



Min Pressure:
MP 0.5

Approvals:
WRAS

Connections:
G3/4"

Warranty:
15 Years (5 on cartridges)

Flow Rate

Diverter side
0.2Bar: 8.5L/min
0.5Bar: 12L/min
1Bar: 16L/min
2Bar: 22.5L/min
3Bar: 28.5L/min

Flow Rate

On-Off side
0.2Bar: 12L/min
0.5Bar: 17L/min
1Bar: 21L/min
2Bar: 28.5L/min
3Bar: 36L/min