

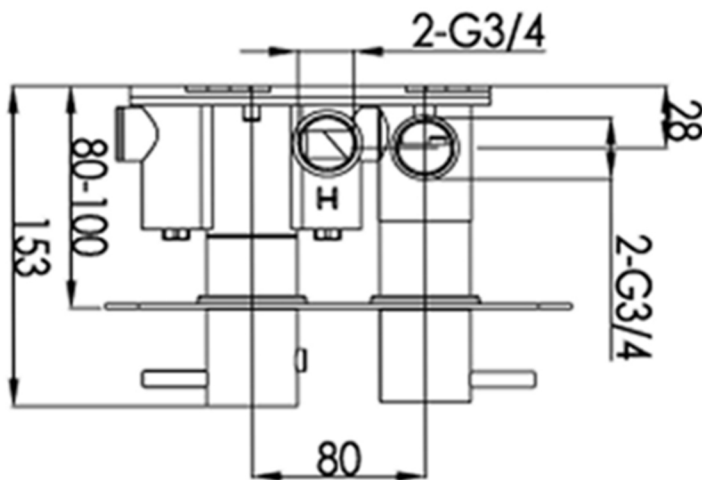


Technical Data Sheet

Product range: FLORENCE

Product code: 15681CL

Finishes Available: Chrome



Min Pressure:
MP 0.5

Approvals:
WRAS

Connections:
G3/4"

Warranty:
15 Years (5 on cartridges)

Flow Rate