

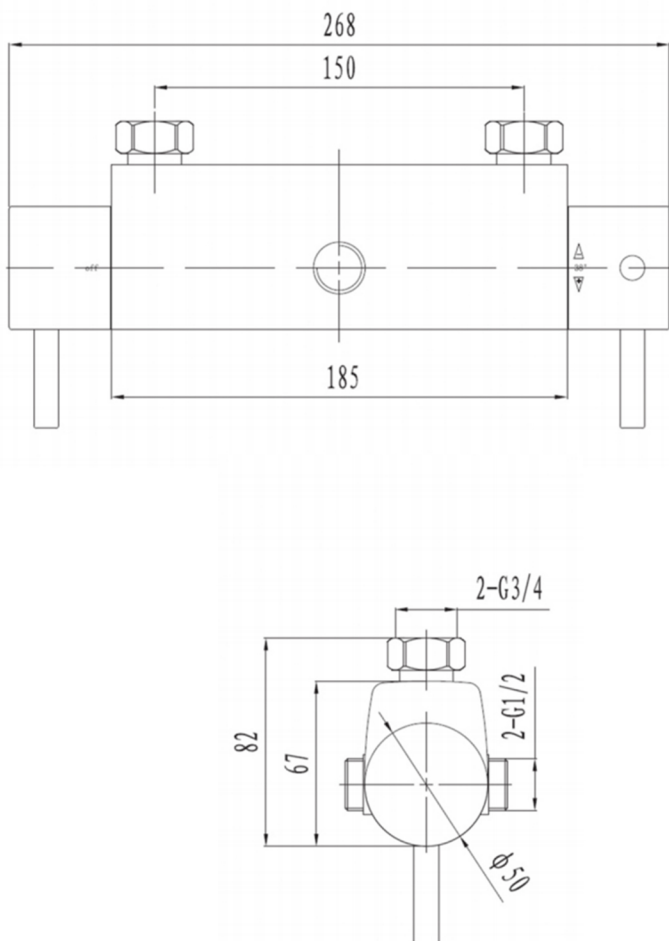


# Technical Data Sheet

Product range: FLORENCE

Product code: 5281

Finishes Available: Chrome



**Min Pressure:**  
MP 0.5

**Approvals:**

**Connections:**  
G 1/2" G 3/4'

**Warranty:**  
15 Years (5 on cartridges)

## Flow Rate