

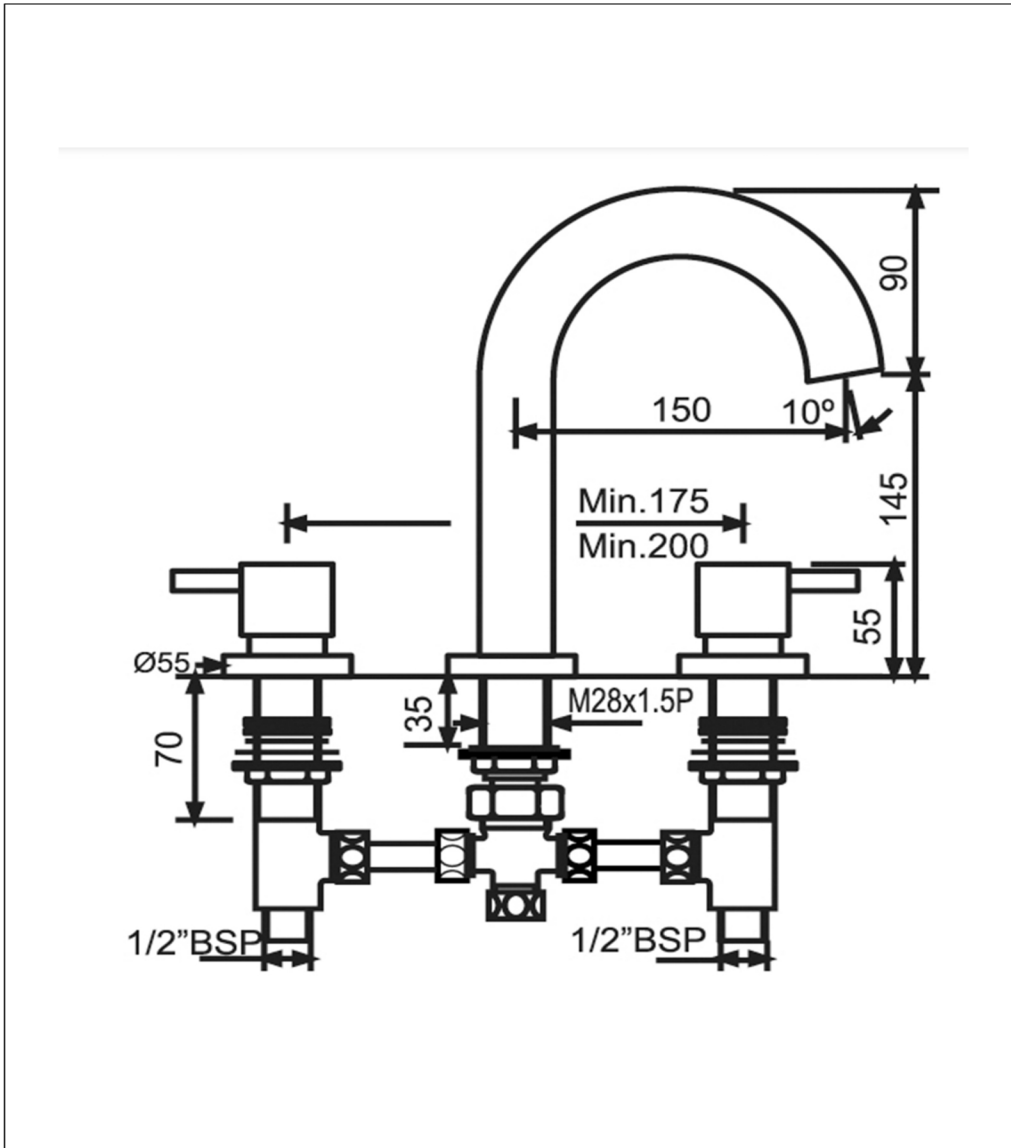


Technical Data Sheet

Product range: FLORENCE

Product code: 55095

Finishes Available: Chrome



Min Pressure:

HPI

Approvals:

N/A

Connections:

G 1/2"

Warranty:

15 Years (5 on cartridges)

Flow Rate