

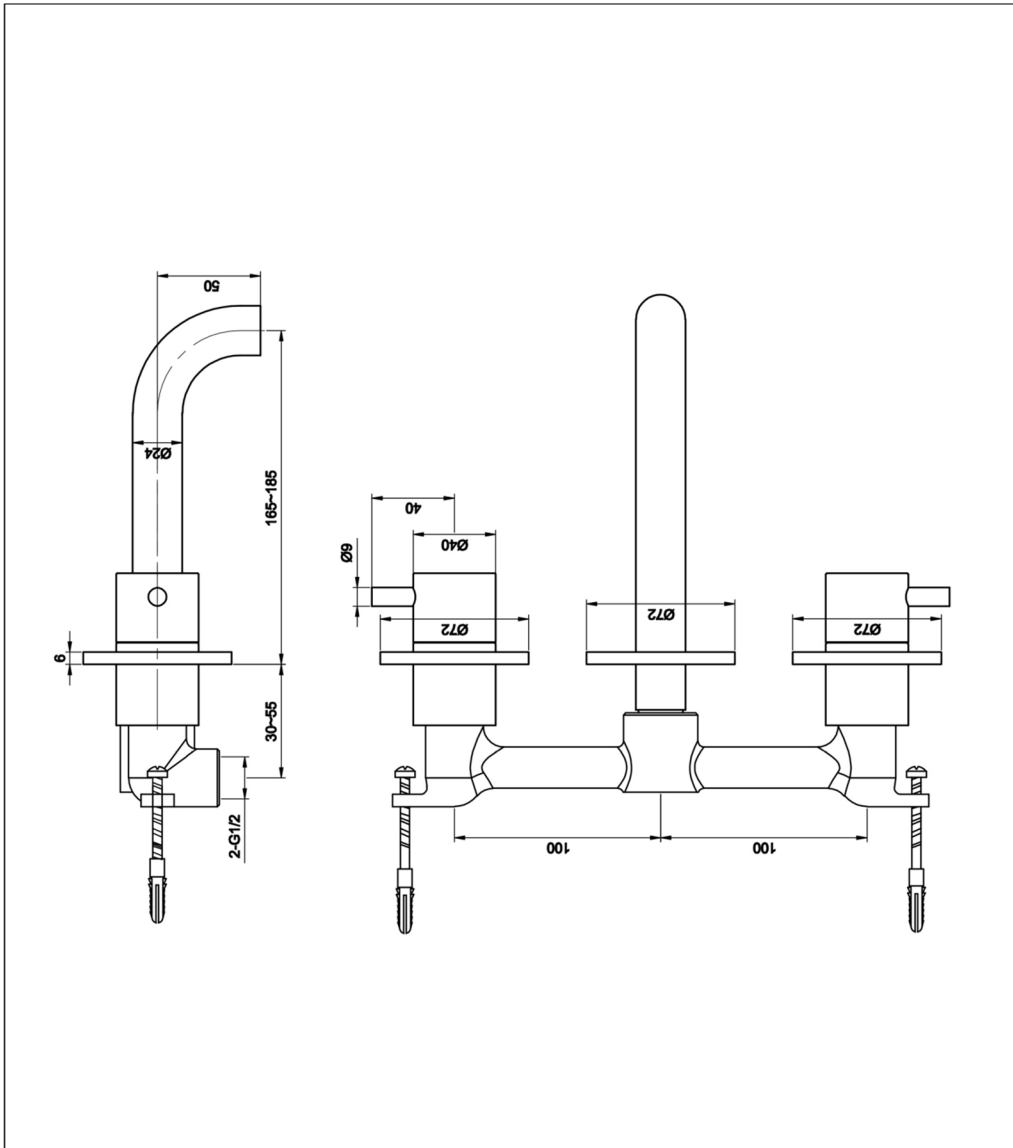


# Technical Data Sheet

Product range: FLORENCE

Product code: 55089A

Finishes Available: Chrome



Min Pressure:  
MP 0.5

Approvals:  
KIWA

Connections:  
G 1/2"

Warranty:  
15 Years

## Flow Rate

0.5Bar: 8L/min  
1Bar: 11L/min  
2Bar: 14.4L/min  
3Bar: 17.5L/min