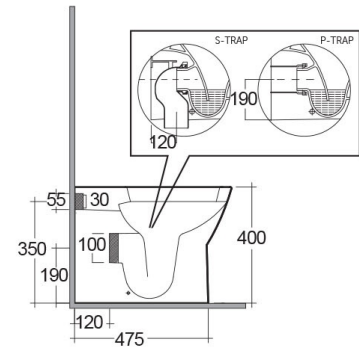
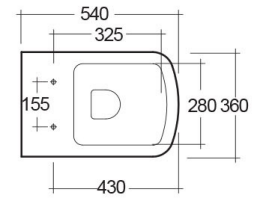


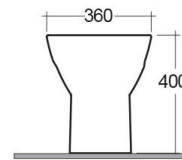
RAK-SUMMIT
Back to Wall | Water Closet

RAK
 CERAMICS



TECHNICAL SPECIFICATIONS

Suite:	RAK-SUMMIT
Type:	Back to Wall
Dimensions:	540 x 360 mm
Weight:	25 Kg
Color:	Alpine White
Trap type:	P Trap
Trapway type:	Concealed
Seat cover options:	Urea
Bowl shape:	Rectangle
Soft close:	yes
Flush Type:	Dual Flush



Code	Name
SM16AWHA	SUMMIT WATER CLOSET BACK TO WALL P S-TRAP 54CM
YFG088C	RAK-Summit Urea Soft Close and Quick Release Seat Cover

Dimensions: All dimensions in mm. Tolerance of vitreous china & fireclay items: ± 5% for below 200mm and ± 3% for above 200mm; for all other items tolerance ± 1%. Note: Due to a continuing development program to improve design and performance, the manufacturer reserves all rights to vary specifications without prior information. Please note accessories are for photographic use only.

