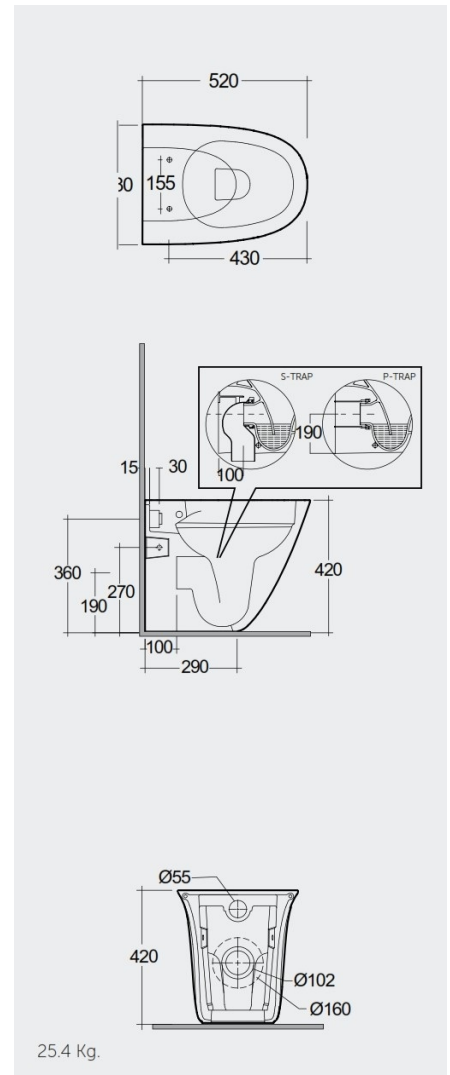


# RAK-SENSATION W/HIDDEN FIXATIONS

## Floor Standing | Water Closet

**RAK**  
CERAMICS



### TECHNICAL SPECIFICATIONS

Suite:	RAK-SENSATION
Type:	Floor Standing
Dimensions:	520 x 380 mm
Weight:	25 Kg
Color:	Alpine White
Trap type:	P Trap & S Trap
Trapway type:	Concealed
Seat cover options:	Urea
Bowl shape:	Oval
Flush Type:	Dual Flush

Code	Name
SENWC1346AWHA	SENSATION WATER CLOSET FLOOR STANDING P S-TRAP 52CM
SENSC3900WH	Urea RAK-Sensation Seat Cover
SENSC3901WH	Urea Soft Close RAK-Sensation Seat Cover

Dimensions: All dimensions in mm. Tolerance of vitreous china & fireclay items: ± 5% for below 200mm and ± 3% for above 200mm; for all other items tolerance ± 1%. Note: Due to a continuing development program to improve design and performance, the manufacturer reserves all rights to vary specifications without prior information. Please note accessories are for photographic use only.

