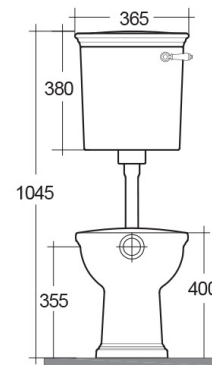
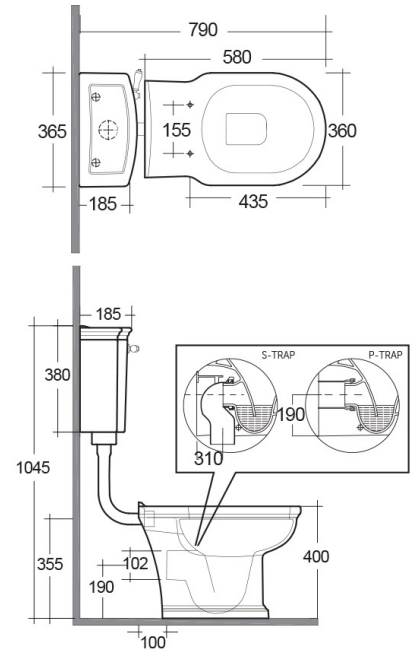


# RAK-WASHINGTON - WT21AWHA - WITH FRONT LEVER

Back to Wall | Water Closet

**RAK**  
CERAMICS



## TECHNICAL SPECIFICATIONS

Suite:	RAK-WASHINGTON
Type:	Back to Wall
Dimensions:	580 x 360 mm
Weight:	22 Kg
Color:	Alpine White
Trap type:	P Trap & S Trap
Trapway type:	Exposed
Seat cover options:	ABS & Urea
Bowl shape:	Oval
Flush Type:	Dual Flush

Code	Name
WT21AWHA	WASHINGTON WATER CLOSET BACK OPEN P S-TRAP 58CM
WT23AWHA	WATER TANK WITH FRONT LIVER
FTWTLOCIST	FITTINGS
JM05DSCQRAWHA	RAK-Washington ABS Seat Cover
WTSC3901500	RAK-Washington Lacquered Polyester Seat Cover (500)

WTSC3901503	RAK-Washington Lacquered Polyester Seat Cover (503)
WTSC3901504	RAK-Washington Lacquered Polyester Seat Cover (504)
WTSC3901505	RAK-Washington Lacquered Polyester Seat Cover (505)
WTSC3901514	RAK-Washington Lacquered Polyester Seat Cover (514)
YFG173A	RAK-Compact Urea Soft Close Seat Cover

Dimensions: All dimensions in mm. Tolerance of vitreous china & fireclay items:  $\pm 5\%$  for below 200mm and  $\pm 3\%$  for above 200mm; for all other items tolerance  $\pm 1\%$ . Note: Due to a continuing development program to improve design and performance, the manufacturer reserves all rights to vary specifications without prior information. Please note accessories are for photographic use only.