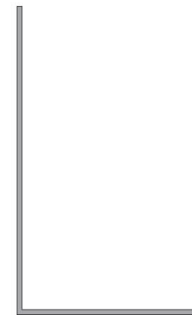
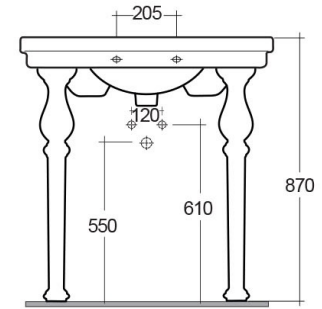
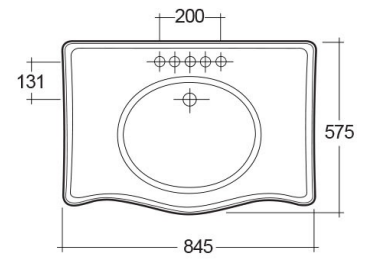


RAK-WASHINGTON
Wash basin | Console

RAK
CERAMICS



TECHNICAL SPECIFICATIONS

Suite:	RAK-WASHINGTON
Type:	Console
Dimensions:	845 x 575 mm
Weight:	36 Kg
Color:	Alpine White
Shape of basin:	Oval
Ledge:	yes
Overflow hole:	yes

Code	Name
AL0101AWHA	WASHINGTON WASH BASIN CONSOLE ALEXANDRA 84CM
AL0102AWHA	WASHINGTON CONSOLE PEDESTAL

Dimensions: All dimensions in mm. Tolerance of vitreous china & fireclay items: $\pm 5\%$ for below 200mm and $\pm 3\%$ for above 200mm; for all other items tolerance $\pm 1\%$. Note: Due to a continuing development program to improve design and performance, the manufacturer reserves all rights to vary specifications without prior information. Please note accessories are for photographic use only.