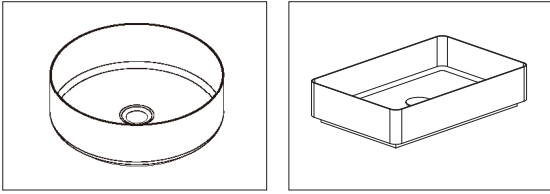
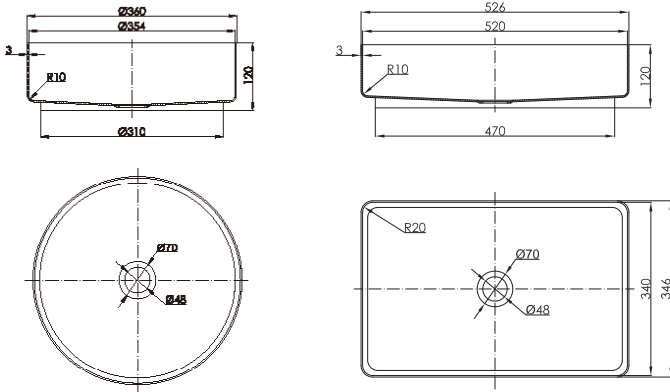


## Round & rectangle bench basin

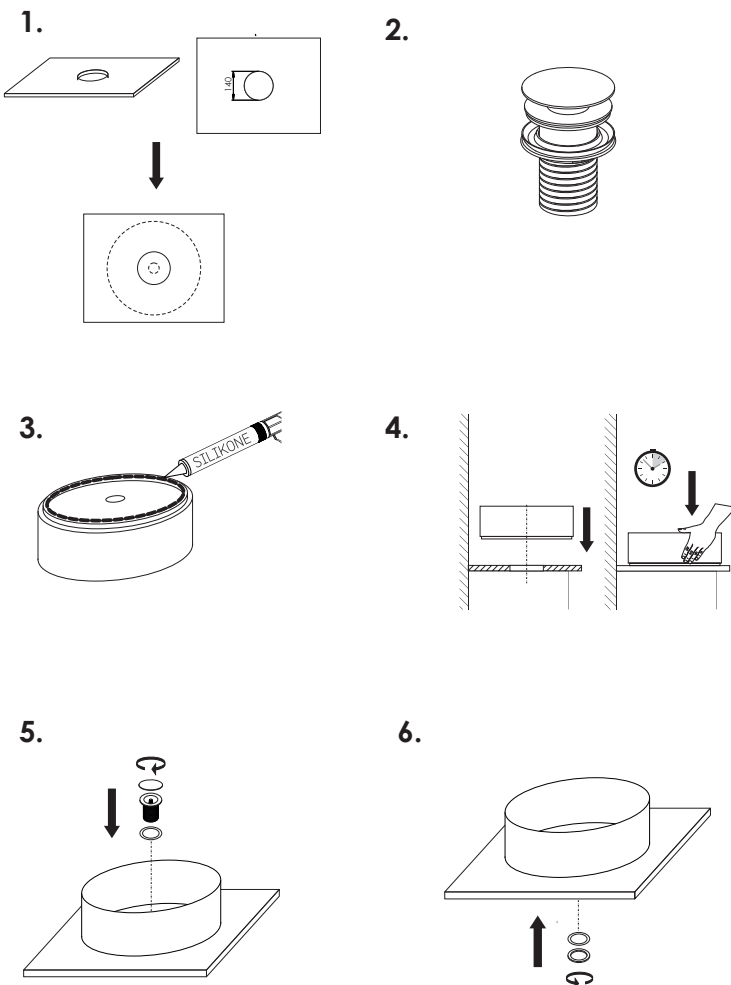


Coordinated Bathrooms Designed For You

### Dimension Drwaing



### Installtation Steps



## Operation Instruction

In order to prolong the life of your basin, simple daily maintenance is the key to keep your basin in its original condition.

Use mild detergent and a soft cloth for daily cleaning.

If you destroy the stainless steel surface with chemicals, the basin will start to corrode and rust. Limestone and minerals in the water have similar effect, so to avoid corrosion, rinse the basin with water and dry it with soft towel after every use.

Remove limestone and minerals with vinegar and not chemicals.

Detergents containing acetone, salt water or ammonia should not be used.

Avoid contact with products containing high concentrations of acids, acetone, nail polish remover, hair coloring, dishwashing detergents, bleaches, chlorine, steel wool sponges and silver polish with basin surface, as this can cause permanent damage to the surface of the basin and is not covered by warranty.

Do not use sharp tools.

Do not place smouldering cigarettes or any extremely hot object such as a hair dryer on the basin. They may cause burns or discolouration.