

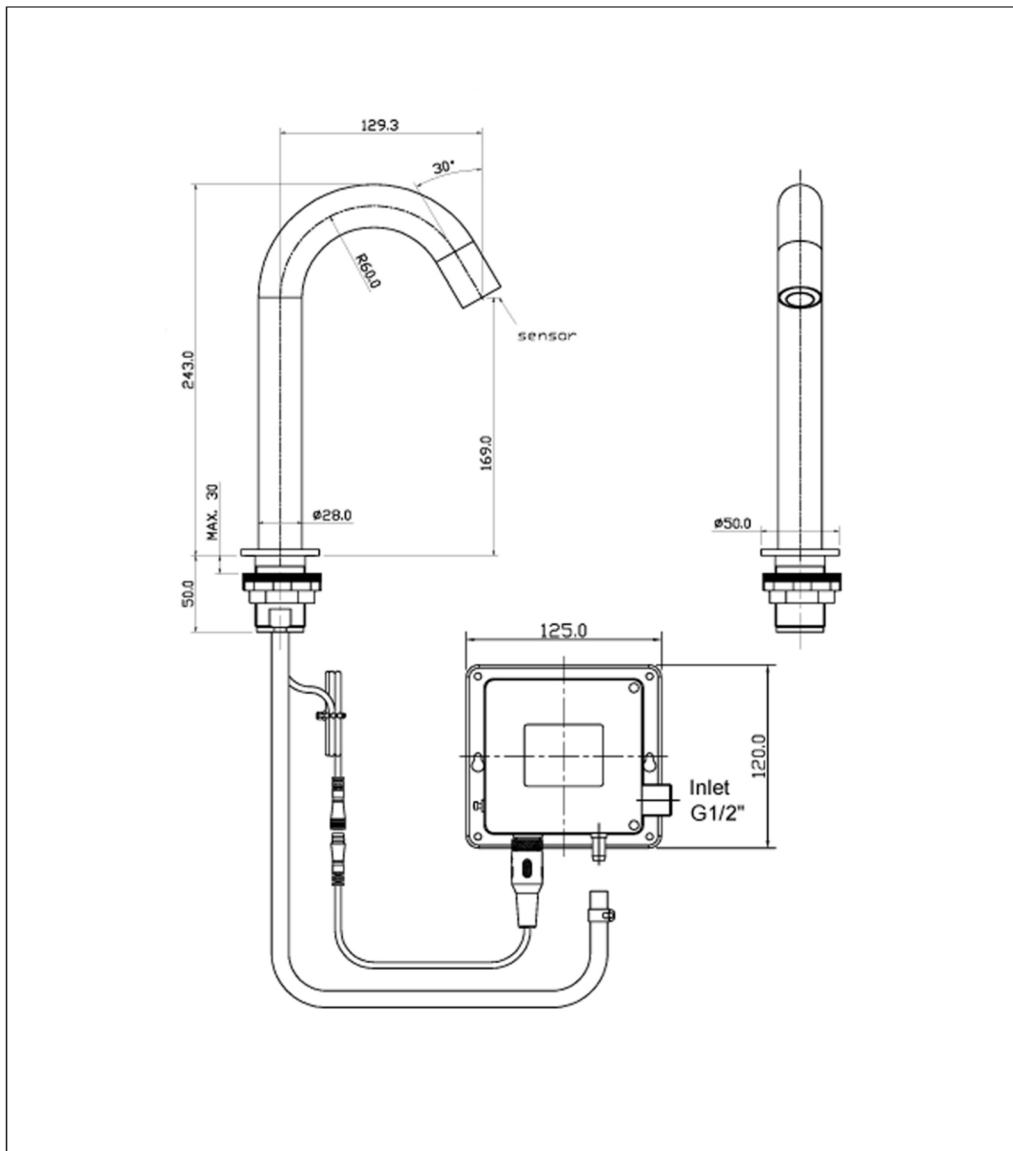


Technical Data Sheet

Product range: SENSOR

Product code: 280149MB, 230149BBR, 20149, IX0149

Finishes Available: Matt Black, Brushed Brass, Chrome, Stainless Steel



Min Pressure:
MP 0.5

Approvals:
WRAS

Connections:
G 1/2"

Warranty:
5 Years

Flow Rate

Limited to 5L/min