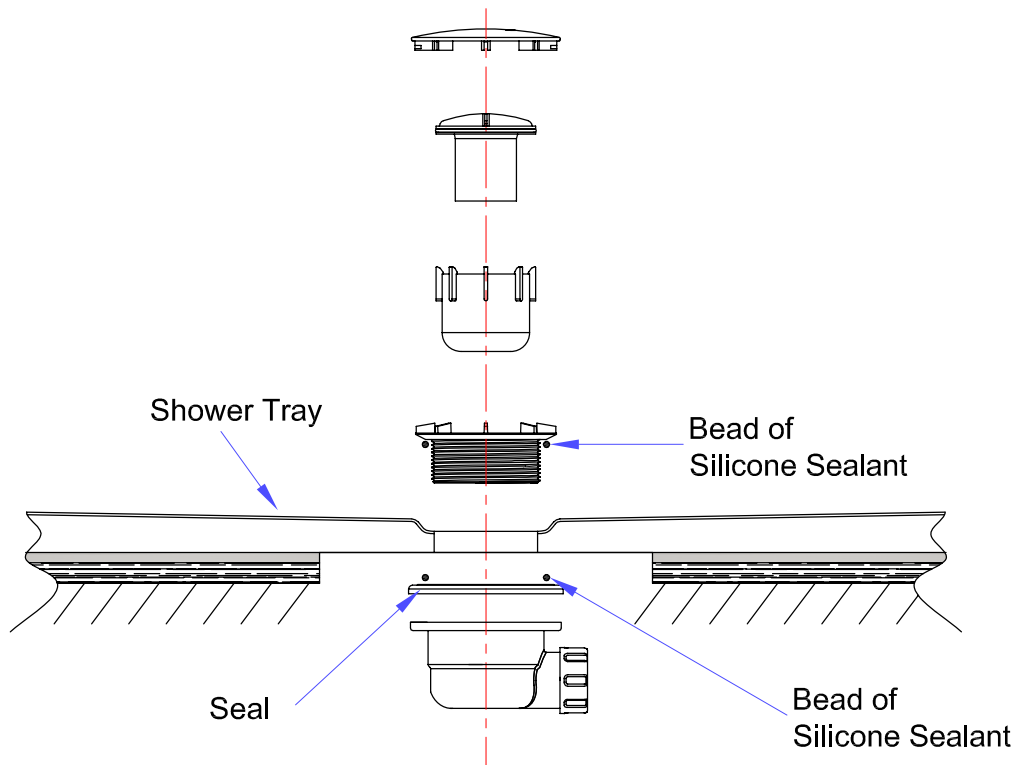


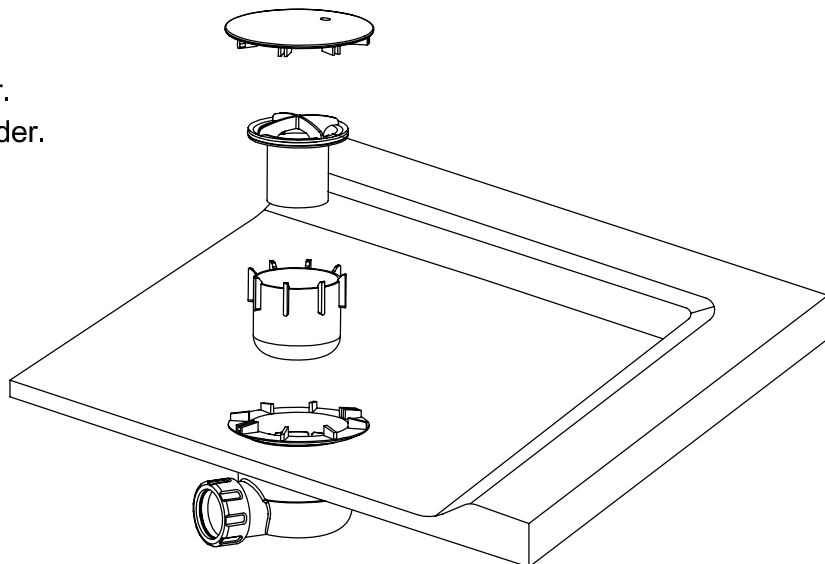
SR000S760

# INSTALLATION INSTRUCTION FOR HIGH FLOW WASTE - STHFW6190



## Maintenance:

- Remove the waste cover.
- Remove the inner filter.
- Clean with hot soapy water.
- Re-assemble in reverse order.



**simpsons** 

For any further information please contact Crosswater on 01483 303711  
Or visit our web-site at [www.simpsons-enclosures.co.uk](http://www.simpsons-enclosures.co.uk)  
The manufacturer reserves the right to make technical modifications  
without prior notification.

**crosswater** 

For any further information please contact Crosswater on 01322 628270  
Or visit our web-site at [www.crosswater.co.uk](http://www.crosswater.co.uk)  
The manufacturer reserves the right to make technical modifications  
without prior notification.