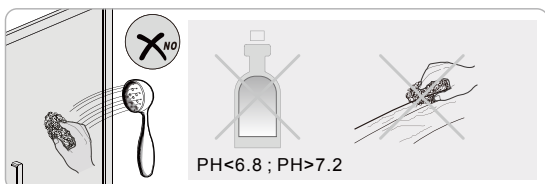
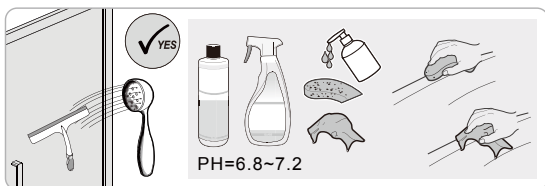
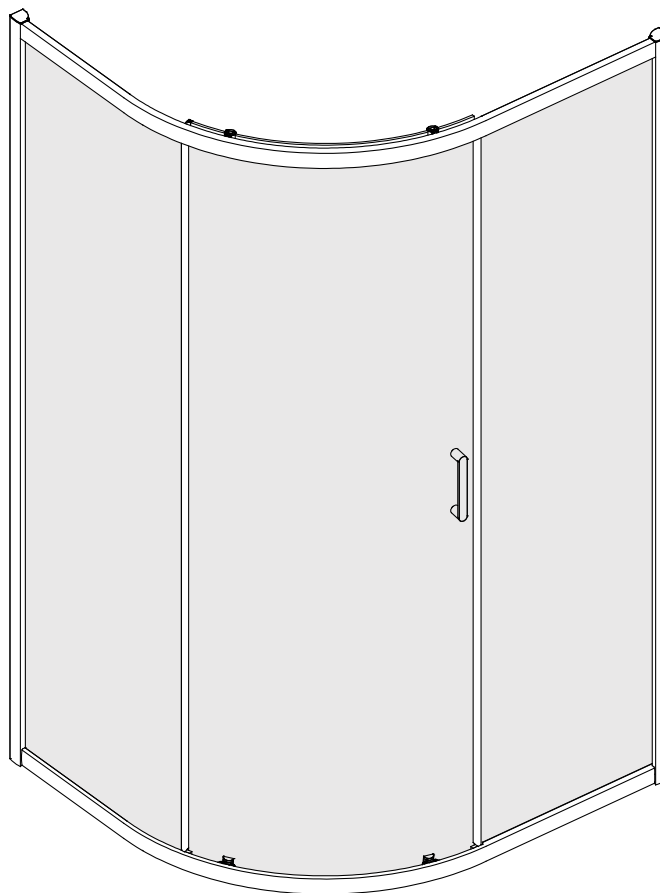


## Kai 6 QUADRANT SINGLE DOOR

### IMPORTANT

BEFORE STARTING THE INSTALLATION ENSURE ALL THE DOOR SIZE MEASUREMENTS CORRESPOND WITH THE INSTALLATION AREA INCLUDING THE FINISHED TILED/PANELLED WALLS. RETURNS DUE TO INCORRECT SIZING WILL NOT BE ACCEPTED.

KLQSSC0800  
KLQSSC0900  
KLQSSC10X8  
KLQSSC12X8  
KLQSSC12X9



## INSTALLATION INSTRUCTIONS

**crosswater**<sup>®</sup>  
SHOWERING

## IMPORTANT - Please read before installation

**Please read these instructions carefully before starting installation and keep in a safe place for future reference.**

Check the contents of the pack carefully before installation. Crosswater will not be held responsible for any de-fit / re-fit costs where faulty product has been fitted.

If any fault is found with materials or workmanship, it must be reported immediately to the manufacturer. Remedial action will be taken, based on information received, on condition that:

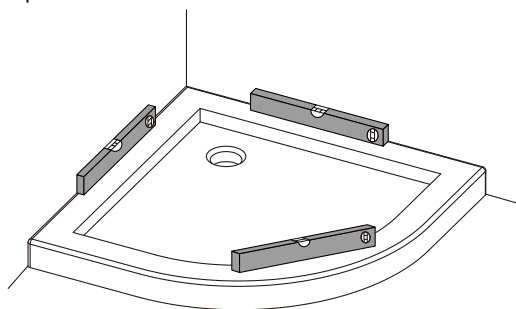
1. Full details are supplied to the manufacturer;
2. The enclosure has not been modified or tampered with;
3. The manufacturer is informed of any damage/shortages prior to installation.

We do not accept responsibility for any problems that may occur through incorrect installation.

The success of the installation and operation of any shower enclosure is, of course, dependant on the squareness, alignment and construction of the walls to which fixing is to be carried out.

### VERY IMPORTANT

You must complete all tiling and grouting, and the shower tray **MUST** be level and fully sealed to the tiles before installation. If you do not fit the enclosure onto a tiled surface, or seal the tiles to the tray before installation, water may soak into the wall behind the wall profiles.



## INSTALLATION - Advice and safety

The installation instructions are based on typical use and conditions.

All doors are designed to open outwards only.

These hints have been prepared for your guidance, you must exercise due care at all times.

For Health and Safety 2 people must carry out the installation of this enclosure.

Handle glass with care. Although the glass supplied is toughened safety glass (EN12150), impacts can damage both the glass and the frame.

### Warning!

Please check for any hidden pipes or cables before drilling holes in the wall.

When using power tools always follow the manufacturers user instructions.

If the Framework is sealed to the tray on the inside, any water that may get into the framework will not be able to drain back into the tray, this may cause the enclosure to leak

Leave the silicone sealant to dry for 24 hours before using the enclosure

## CARE AND CLEANING

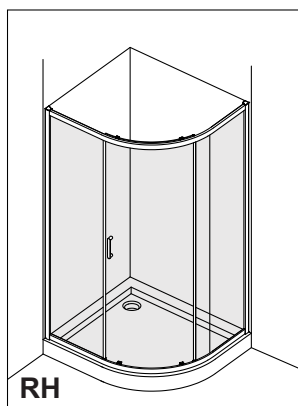
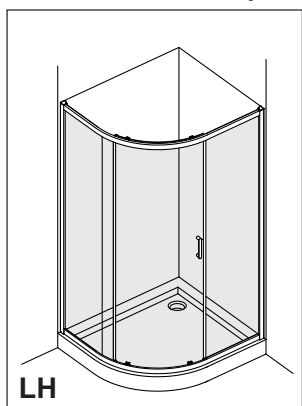
Do not use solvents or abrasive material or chemicals to clean the enclosure.

Only clean using soapy water and a soft cloth, rinse thoroughly afterwards.

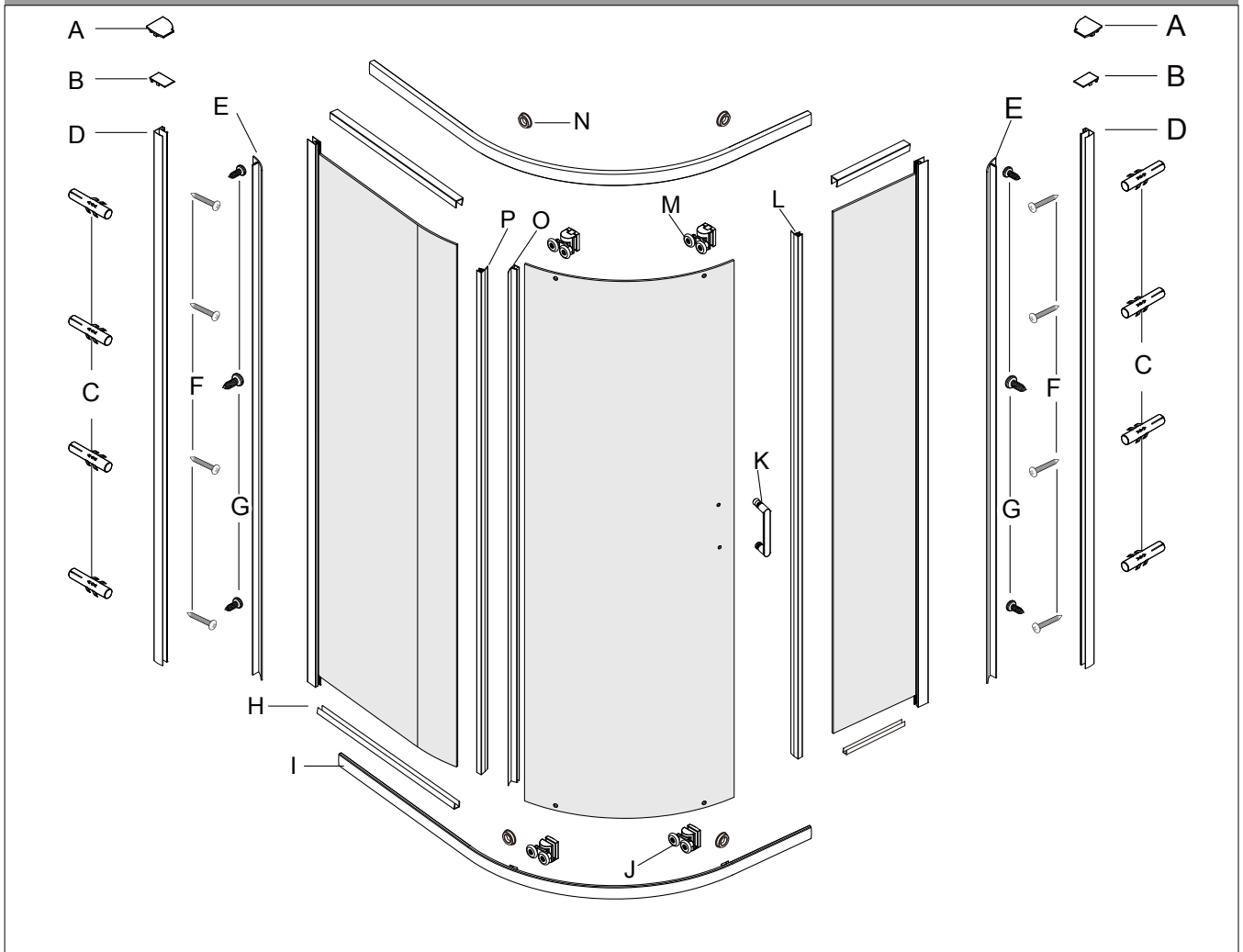
## INSTALLATION - Left and Right hand

**This product is reversible for left or right hand opening.**

**Please follow the diagram, and detailed below for your choice of installation.**



## Kai 6 QUAD DOUBLE DOOR



A		Cap for wall profile L R x2
B		Cap for adjusting profile x2
C		Wall plug x8
D		Wall profile x2
E		Cover strip x2
F		ST4*30 x8
G		ST4*8 x6

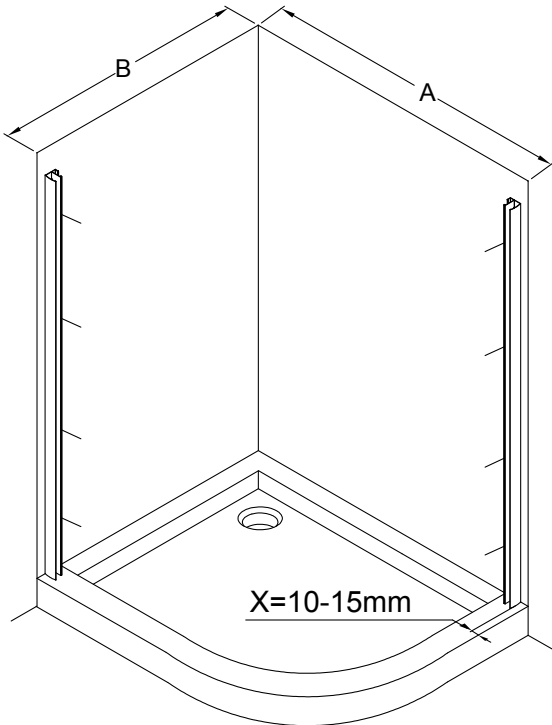
H		Fixed panel bottom seal x4
I		Top/bottom rail x2
J		Bottom roller x2
K		Handle x1
L		Upright seal for flat fixed panel x1
M		Top roller x2
N		Fixed glass clip cap x4

O		Upright seal for moving panel x1
P		Upright seal for curved fixed panel x1

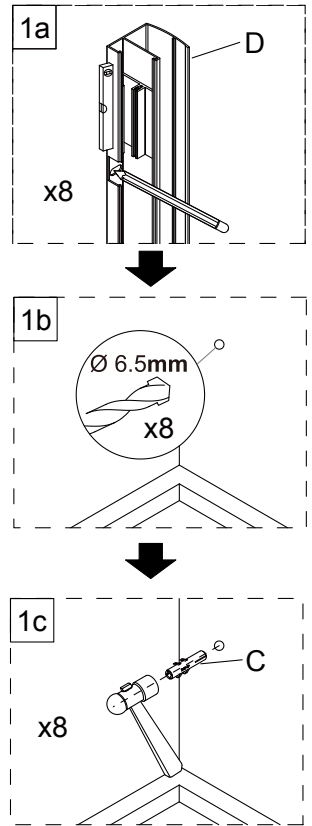
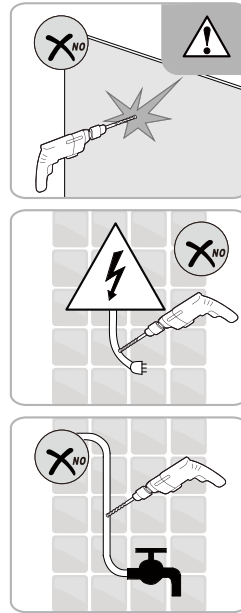
### Tools and equipment needed

Drill, 6mm Masonry drill bit, 3.2mm General drill bit, Philips screwdriver, Spirit level, Pencil, Scissors, Silicone sealant.

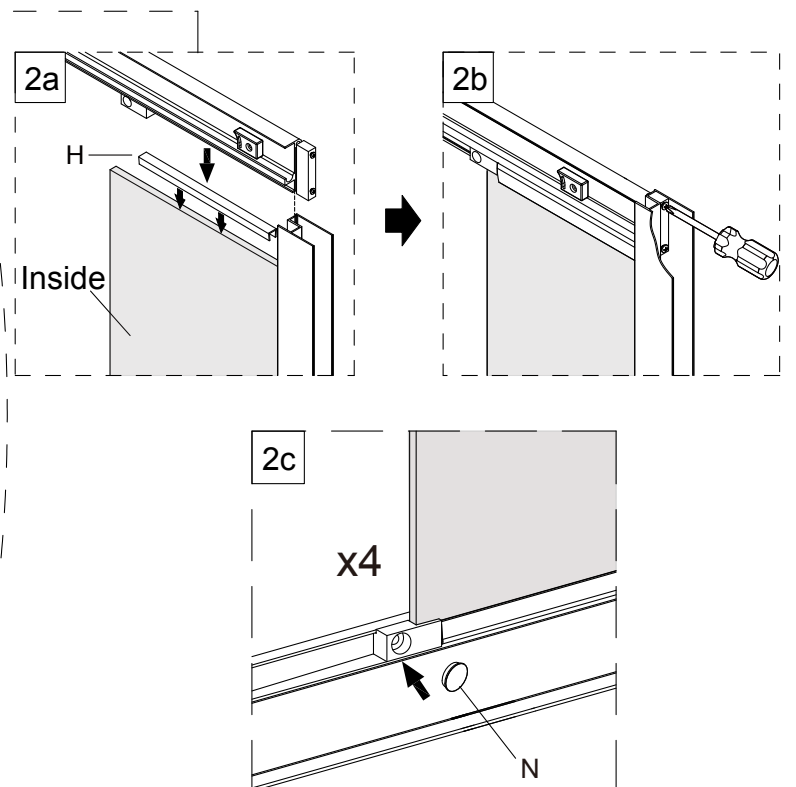
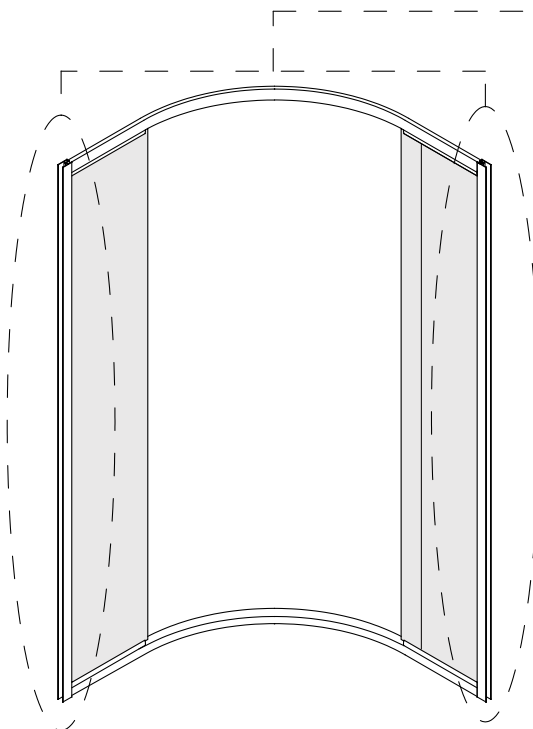
## Step 1



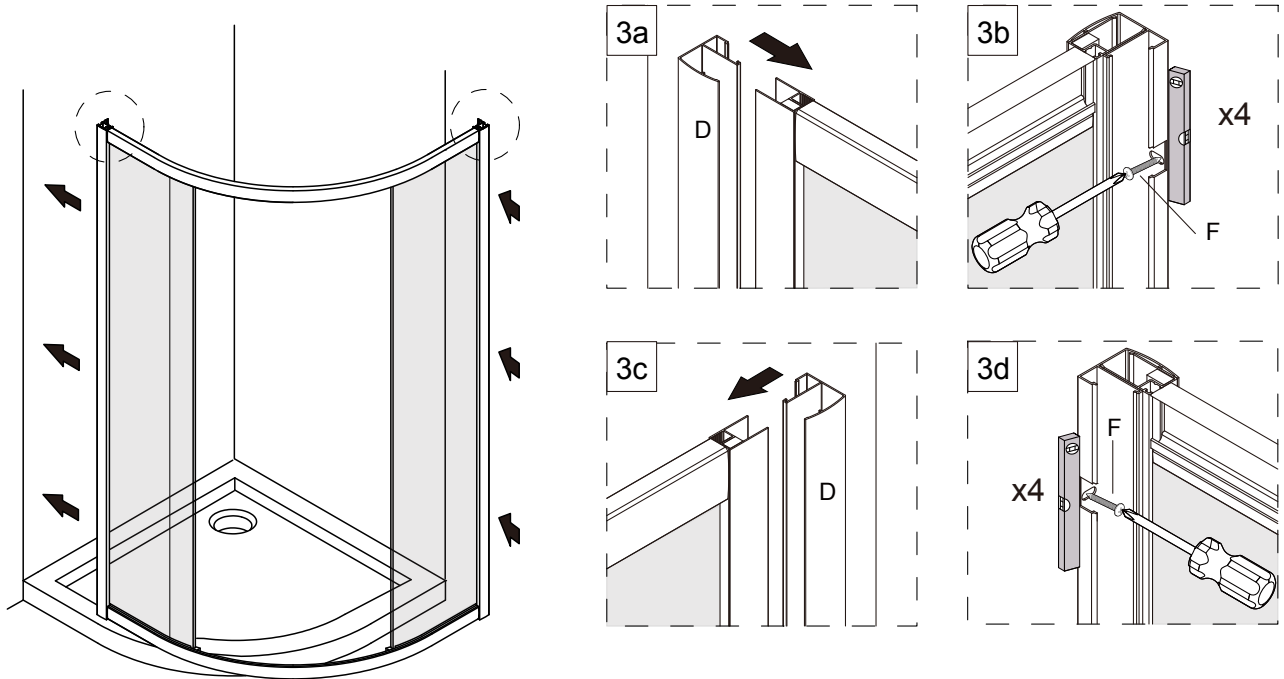
PRODUCT CODE	A(mm)	B(mm)
KLQSS0800	770-790	770-790
KLQSS0900	870-890	870-890
KLQSS10X8	970-990	770-790
KLQSS12X8	1170-1190	770-790
KLQSS12X9	1170-1190	870-890



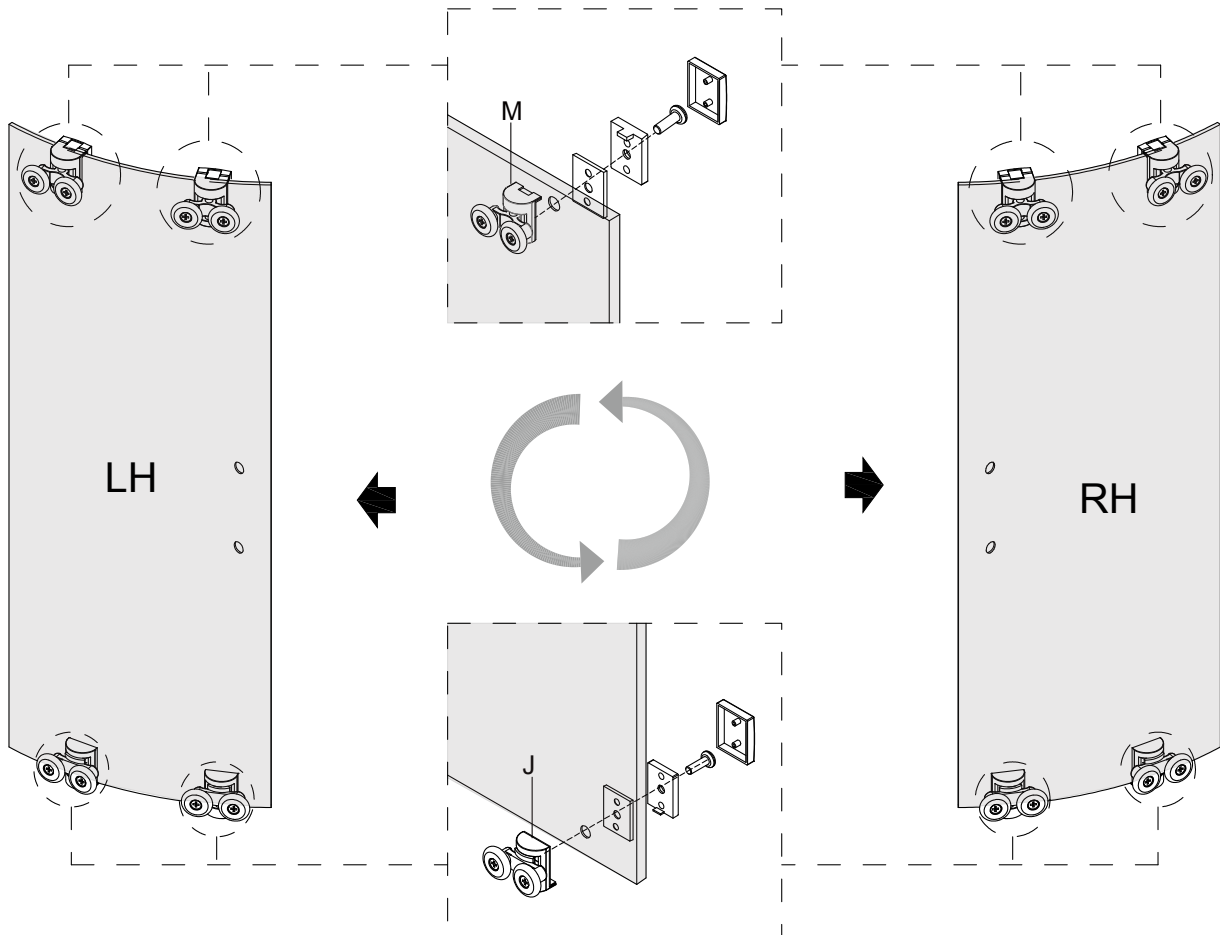
## Step 2



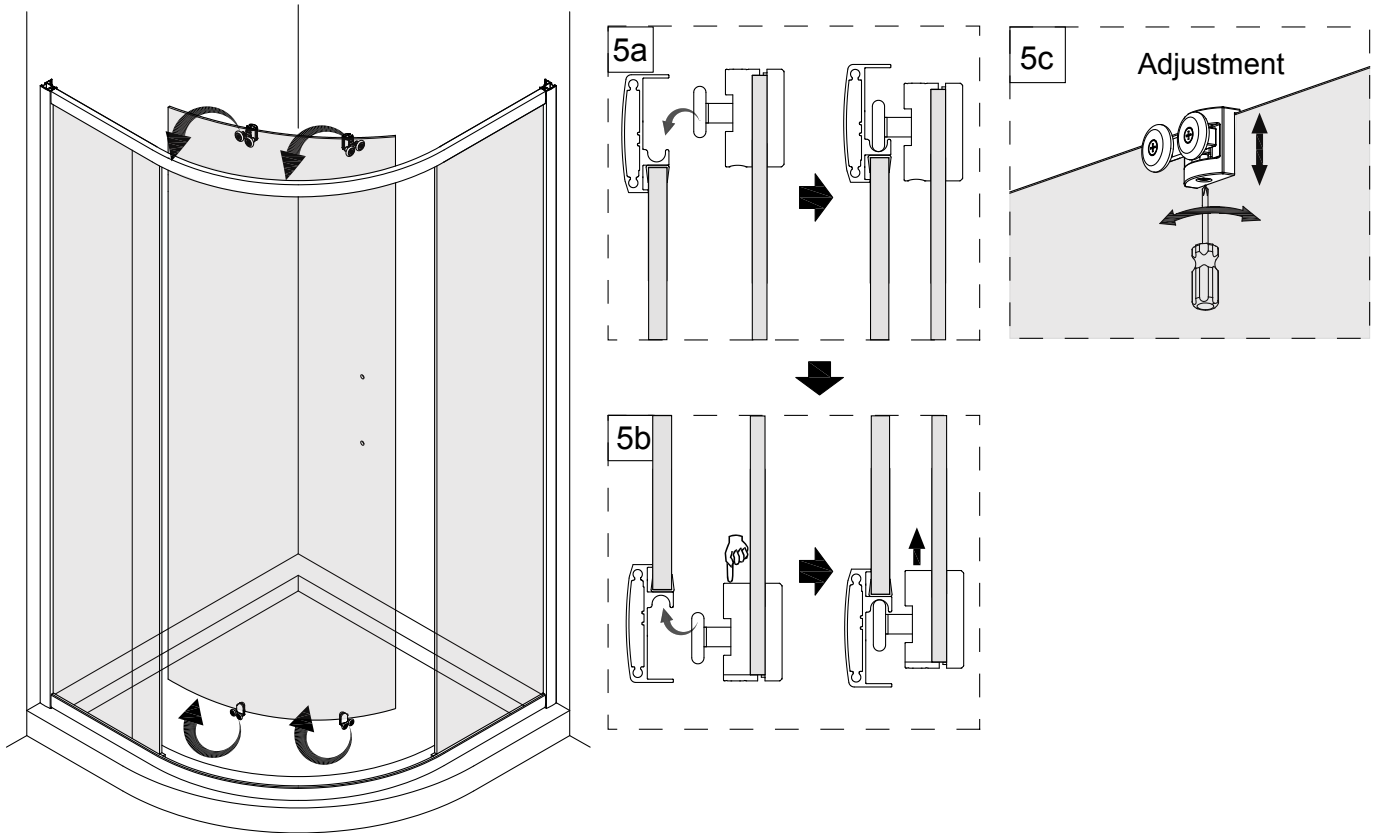
Step 3



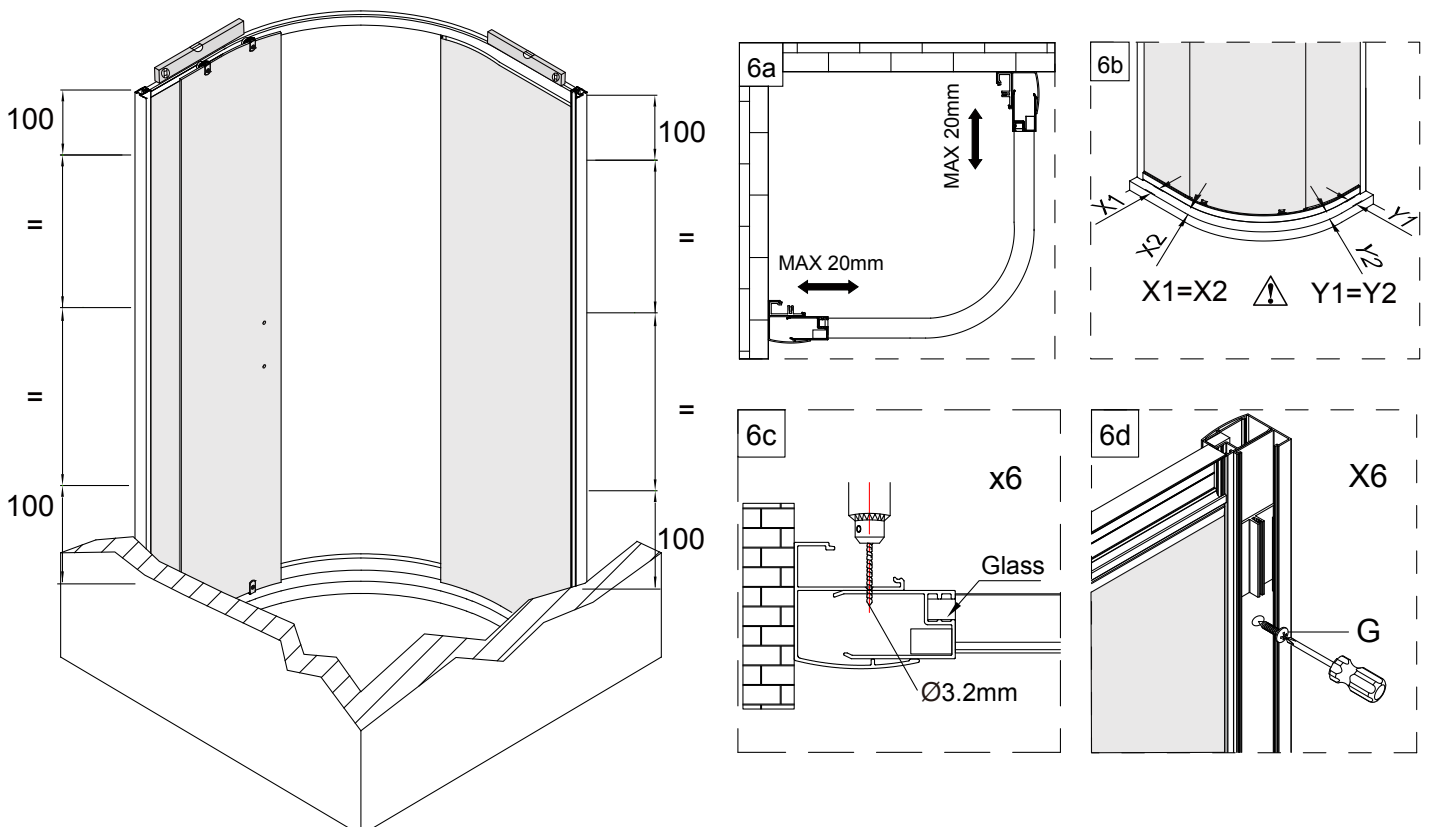
Step 4



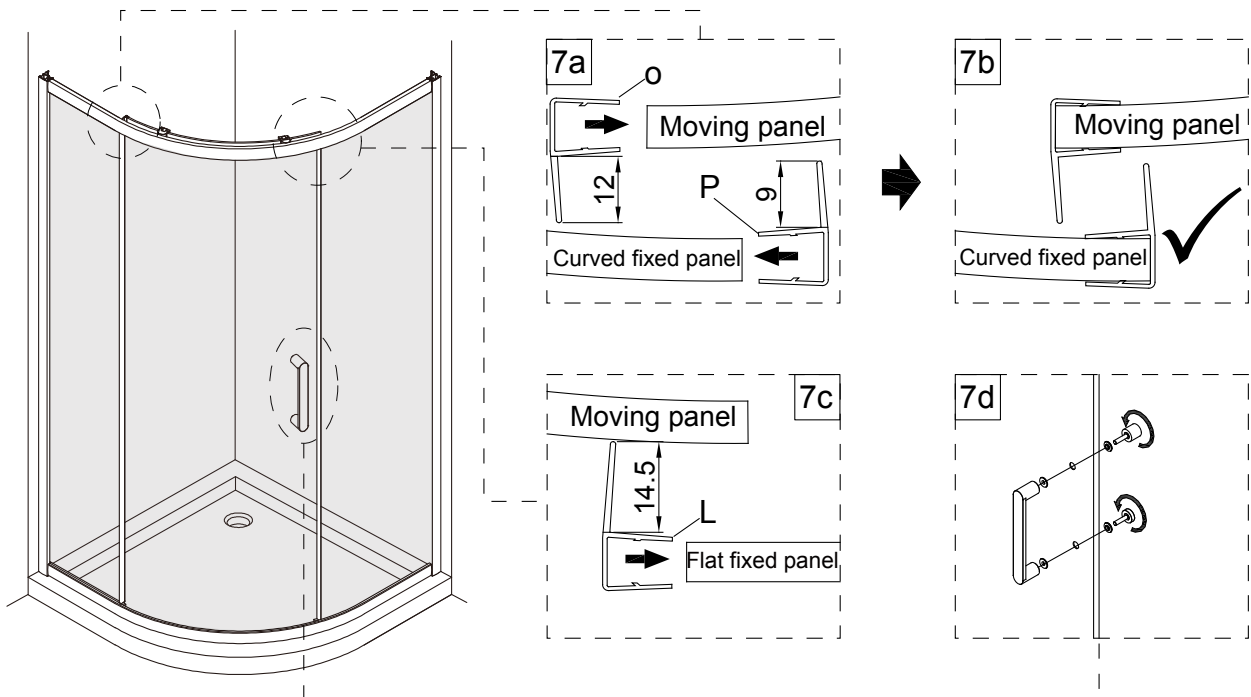
Step 5



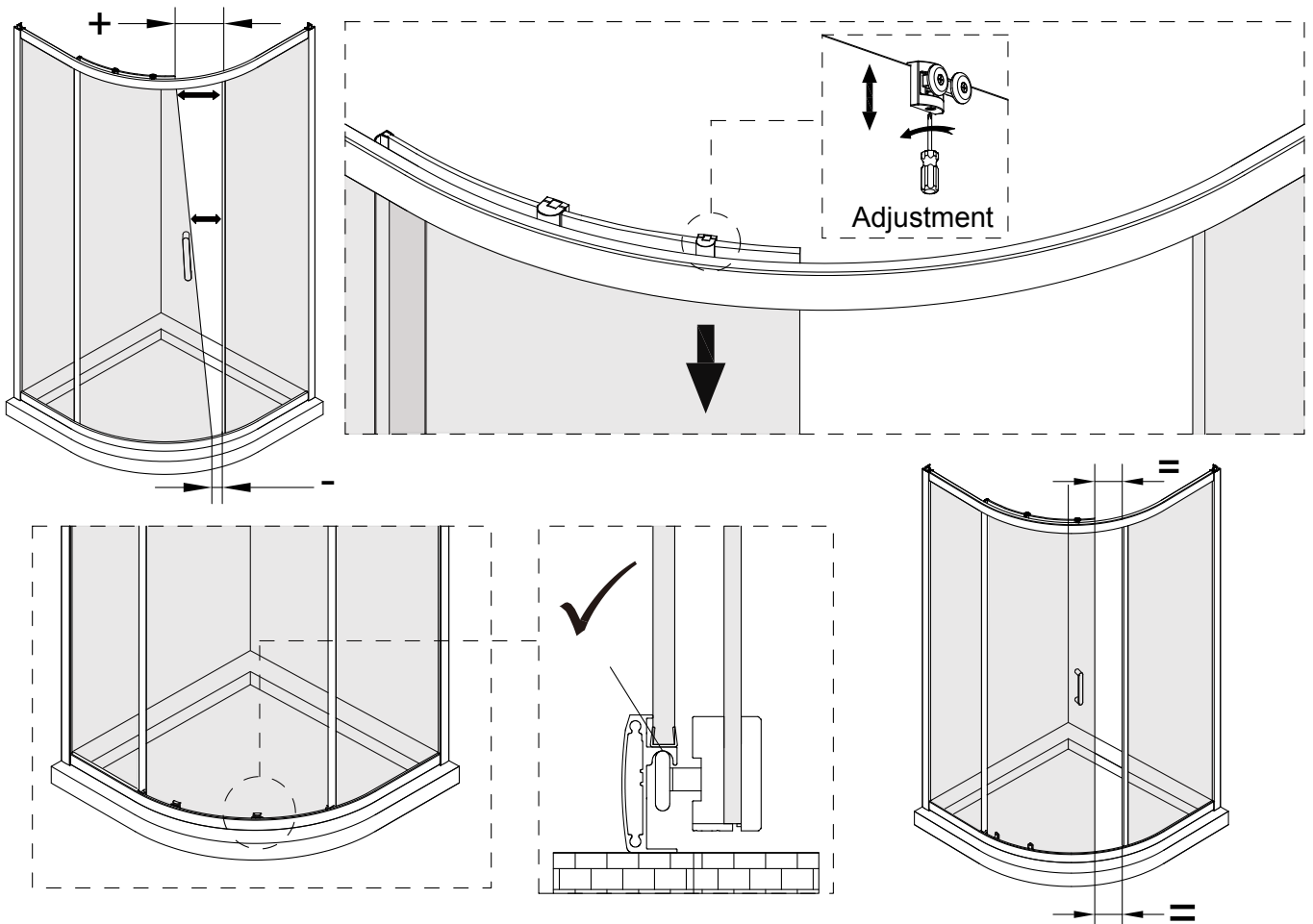
Step 6



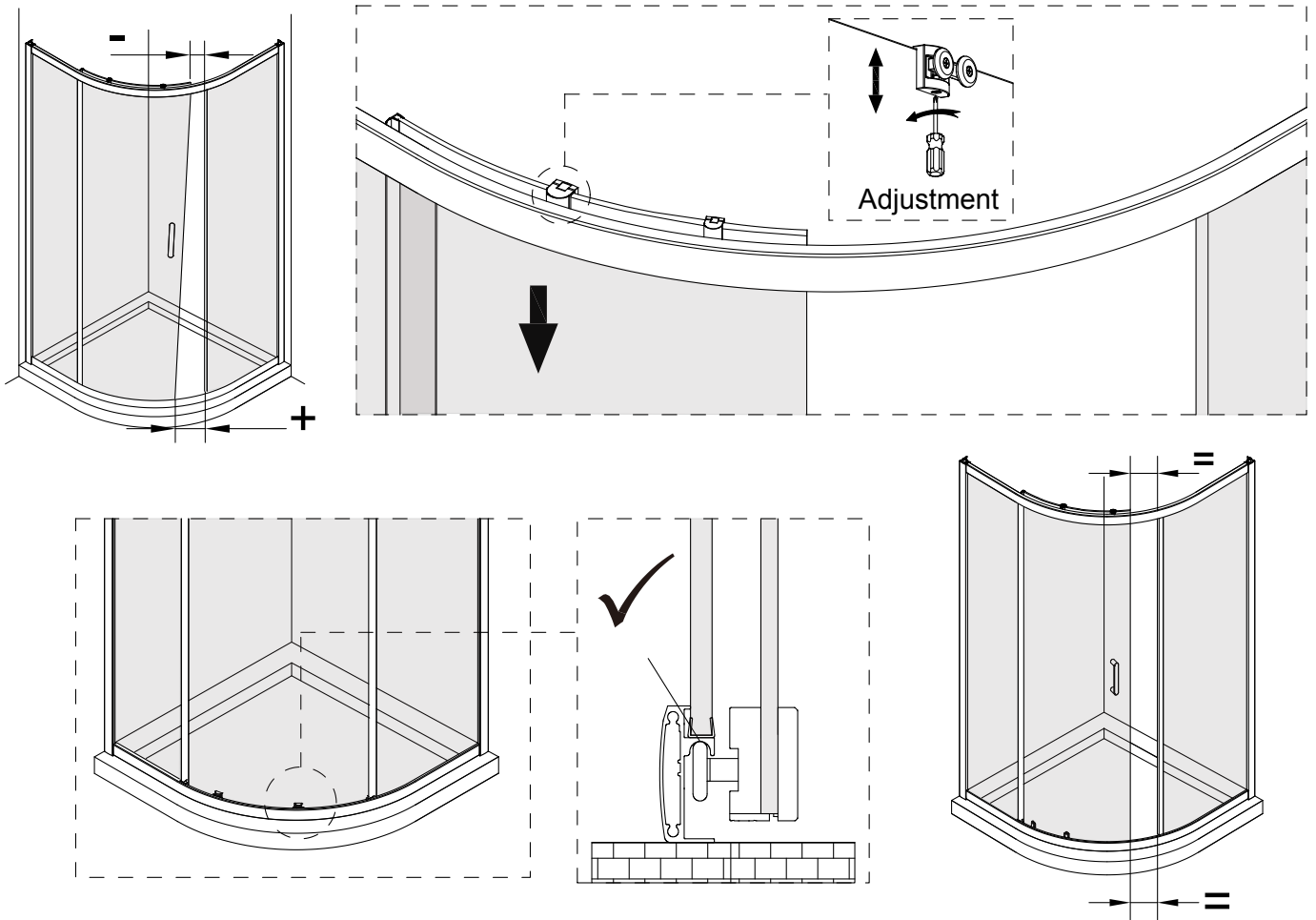
## Step 7



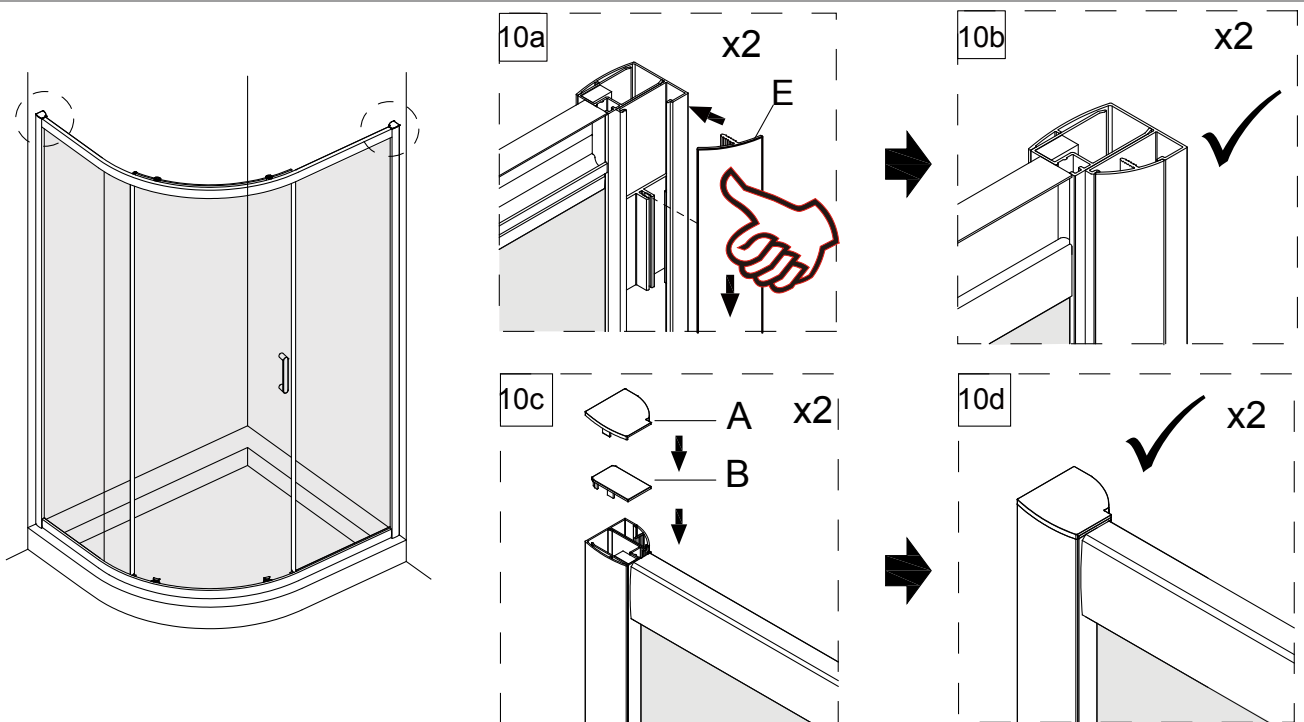
## Step 8



Step 9



Step 10





Step 11



Note: Do not use the enclosure for 24 hours after sealing.

