

Measurements in millimetres mm

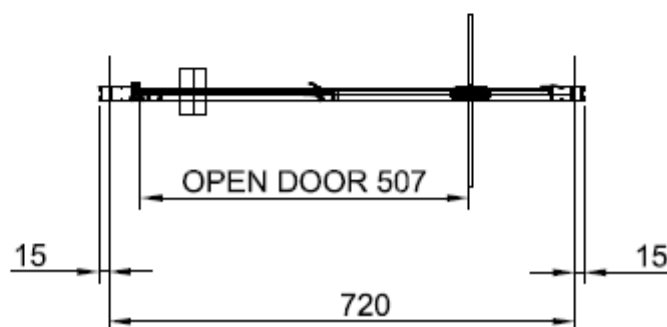
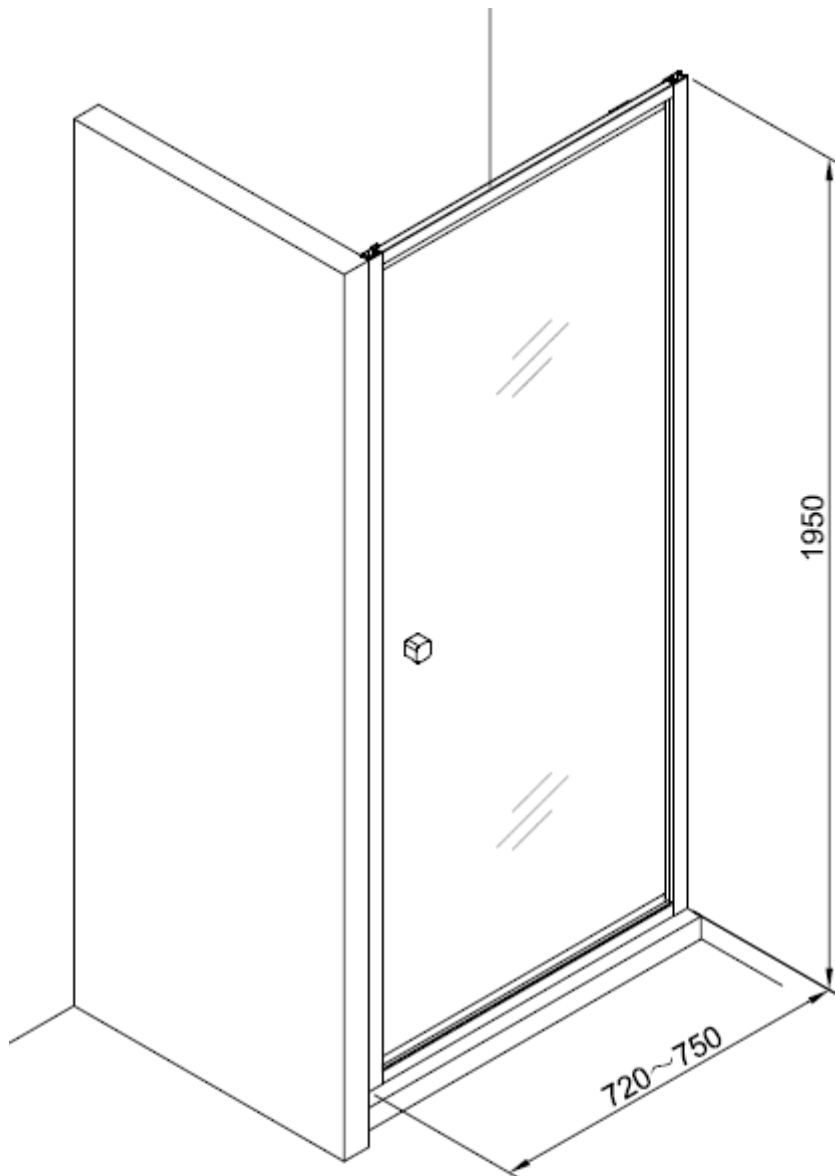
Information updated January 2020

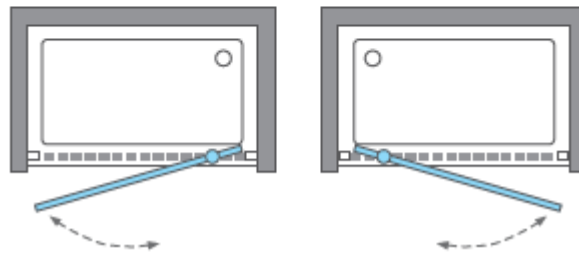
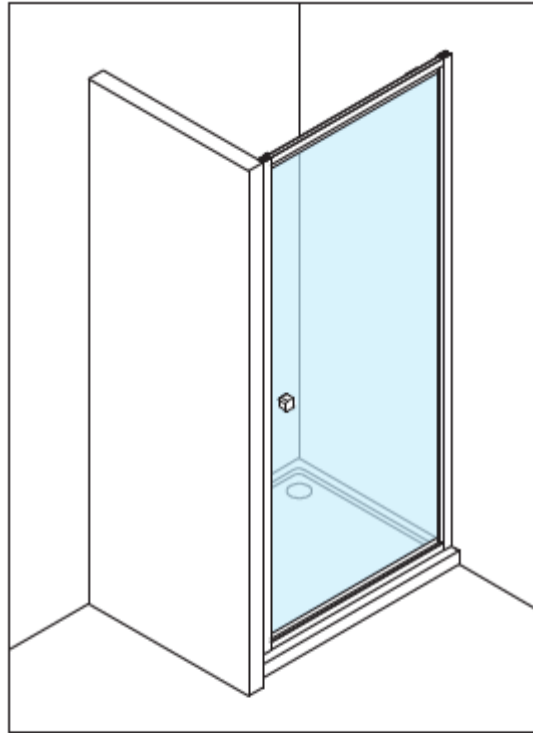
Tel 0345 873 8840



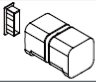


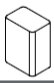
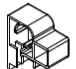
crosswater[™]


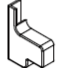
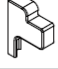
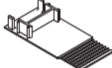
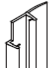
CLEAR 6 PIVOT DOOR

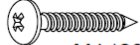
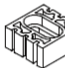

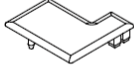


CAPDSC0760

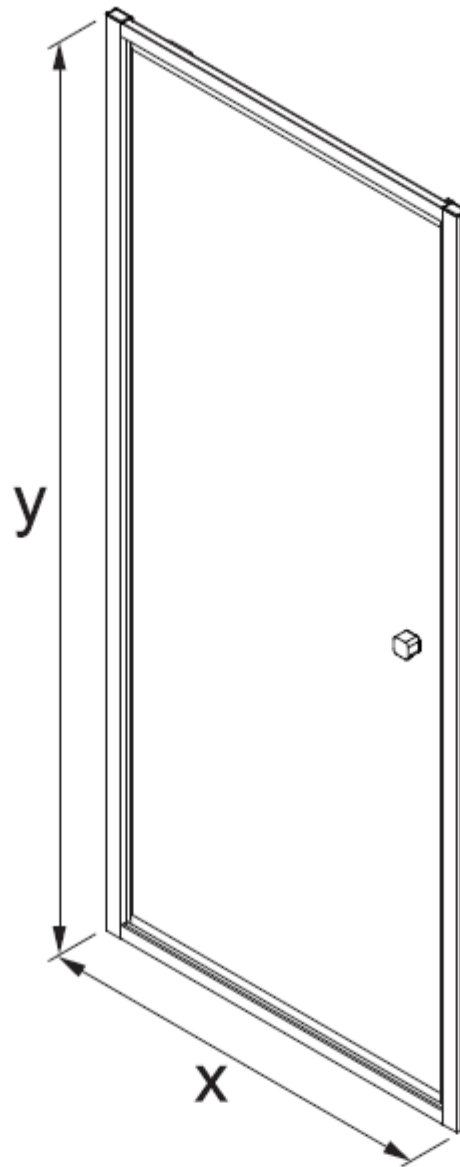




A		M4 *40mm Screw x 6
B		Wall Plug x 6
C		Handle x 1
D		Sleeve x 1
E		Cover x 3
F		Filler x 4
G		Cover x 1

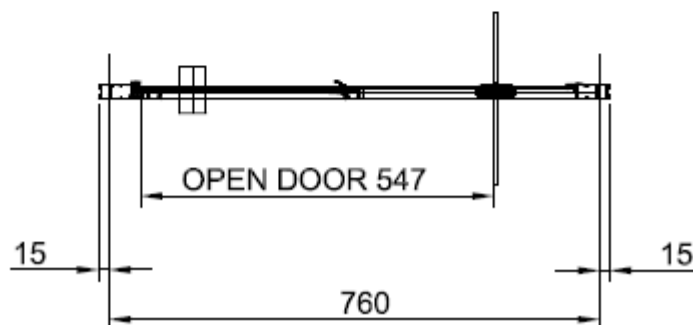
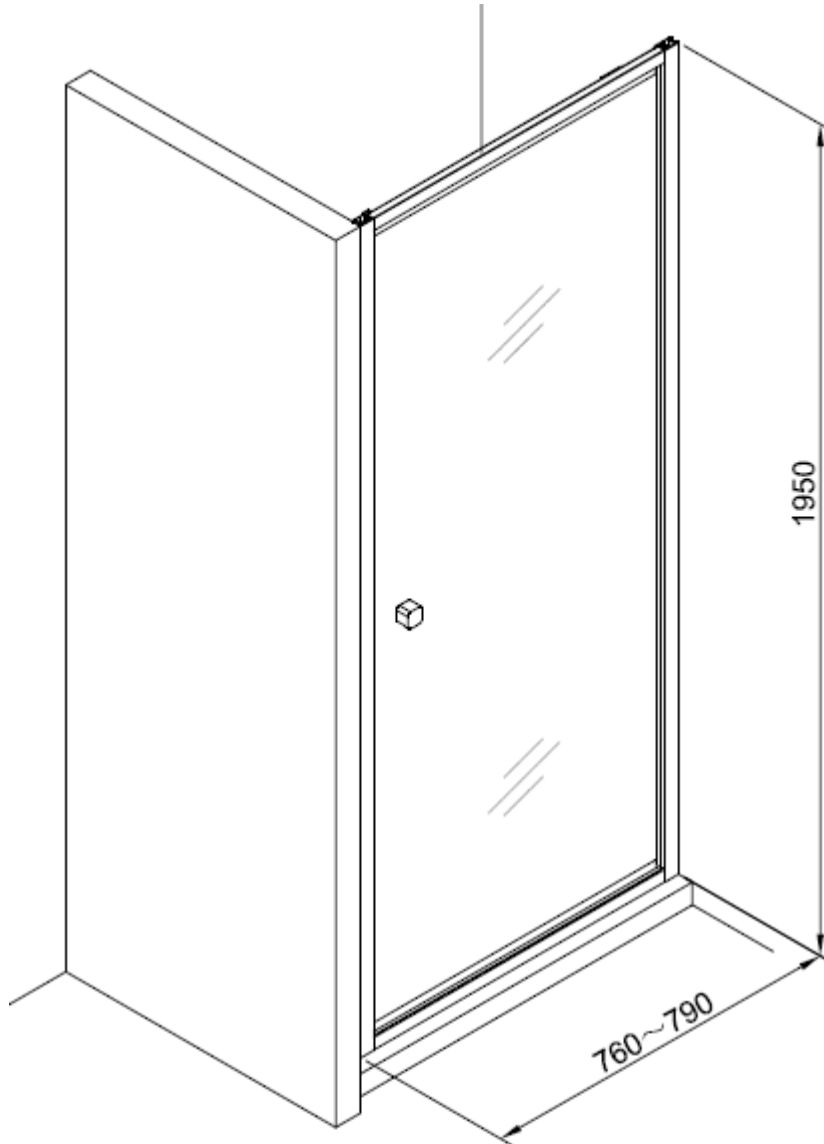
H		Cover x 1
I		Cover x 1
J		Cover x 1
K		Top Cap x 2
L		Waterproof strip x 1

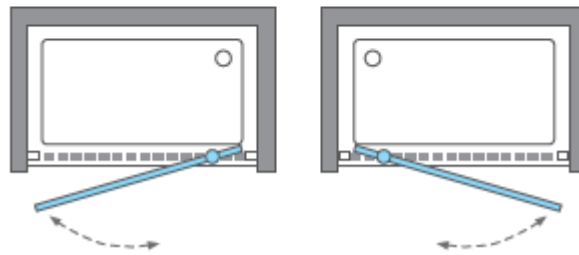
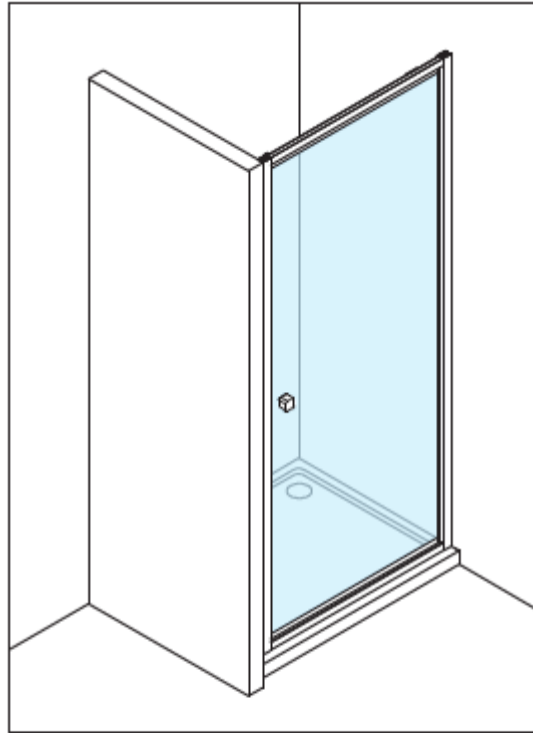
AA		M4 *20mm Screw x 1
AB		Adjustment block x 1
AC		Top Cap x 1
AD		Top Cap(LH) x 1
AE		Top Cap(RH) x 1
AF		Filler x 2



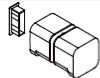


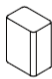
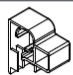


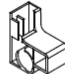

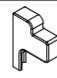
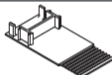

Model	x (mm)	y (mm)
CAPDSC0760	720~750	1950
CAPDSC0800	760~790	1950
CAPDSC0900	860~890	1950
CAPDBC0900	860~890	1950
CAPDSC1000	960~990	1950


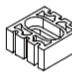
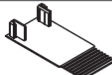
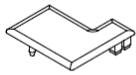
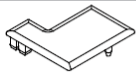

CLEAR 6 PIVOT DOOR
CAPDSC0800

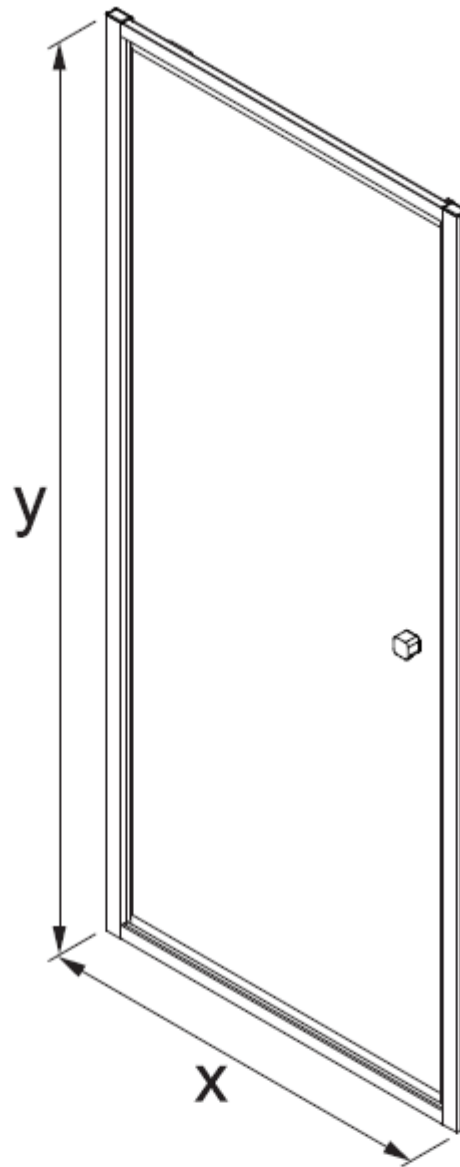




A		M4 *40mm Screw x 6
B		Wall Plug x 6
C		Handle x 1
D		Sleeve x 1
E		Cover x 3
F		Filler x 4
G		Cover x 1

H		Cover x 1
I		Cover x 1
J		Cover x 1
K		Top Cap x 2
L		Waterproof strip x 1

AA		M4 *20mm Screw x 1
AB		Adjustment block x 1
AC		Top Cap x 1
AD		Top Cap(LH) x 1
AE		Top Cap(RH) x 1
AF		Filler x 2

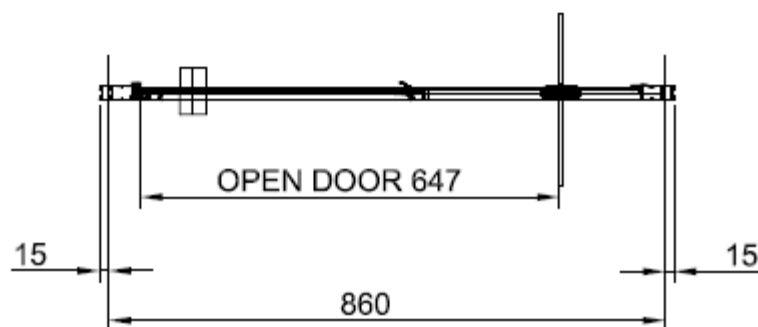
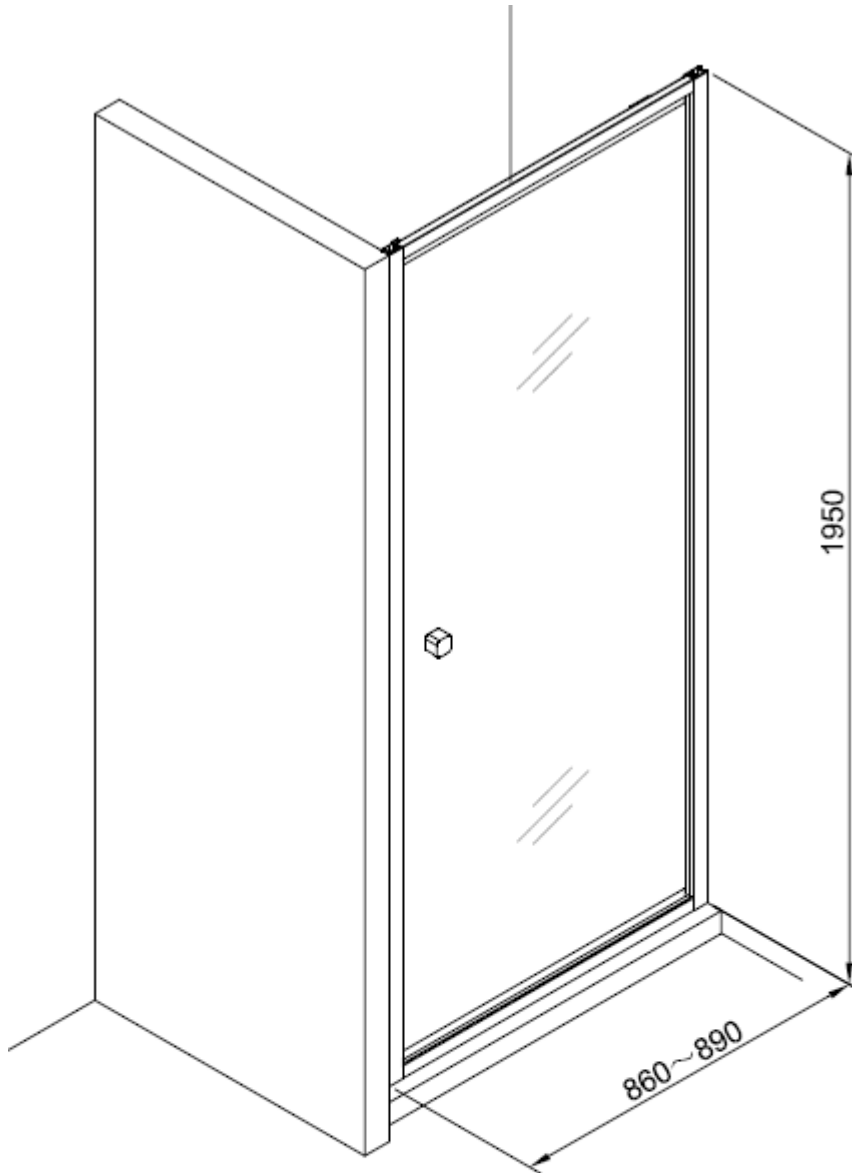


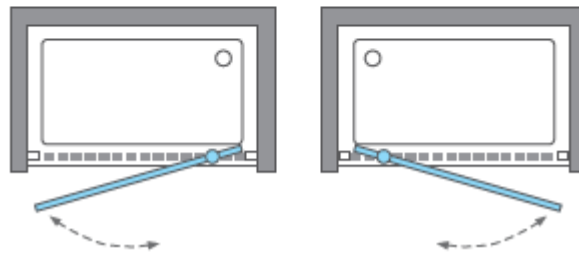
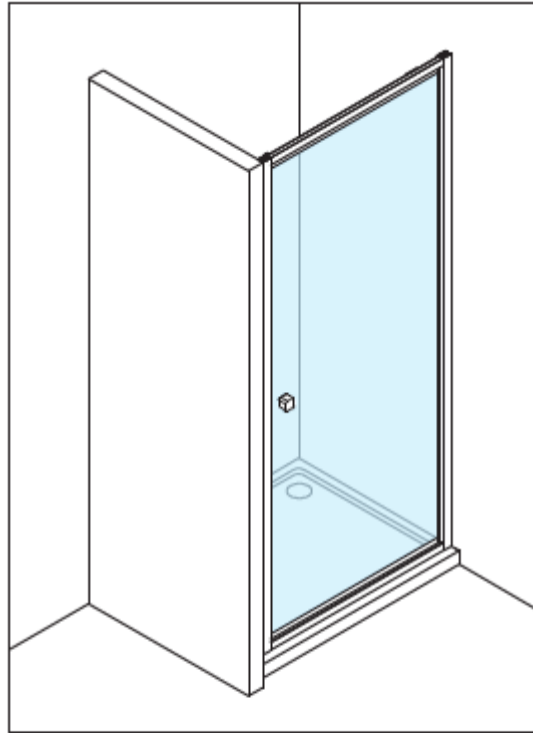
Model	x (mm)	y (mm)
CAPDSC0760	720~750	1950
CAPDSC0800	760~790	1950
CAPDSC0900	860~890	1950
CAPDBC0900	860~890	1950
CAPDSC1000	960~990	1950



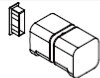


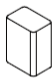
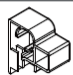
Measurements in millimetres mm
Information updated January 2020
Tel 0345 873 8840

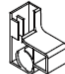

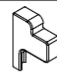
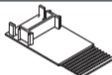

crosswater[™]


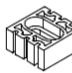
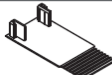
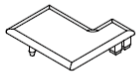
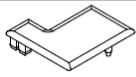

CLEAR 6 PIVOT DOOR
CAPDSC0900

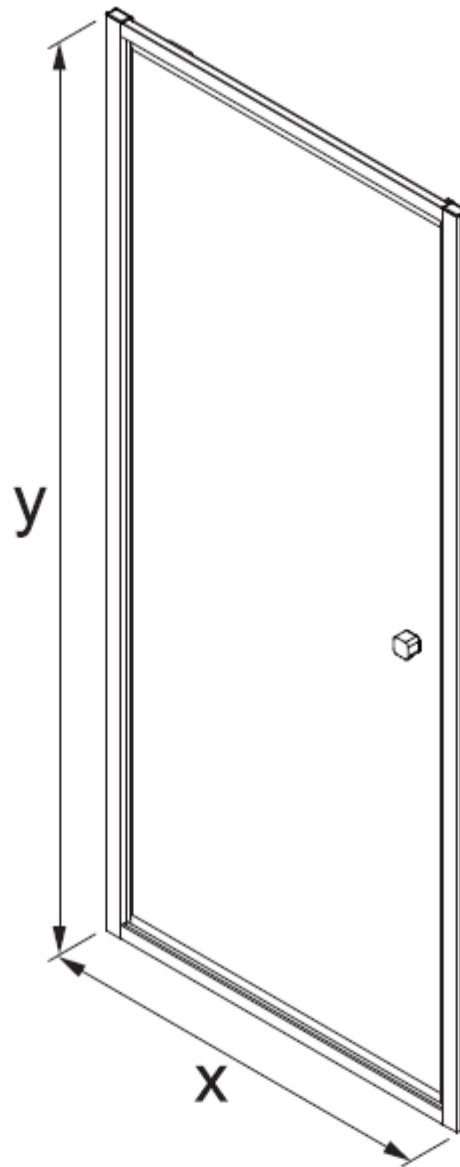




A		M4 *40mm Screw x 6
B		Wall Plug x 6
C		Handle x 1
D		Sleeve x 1
E		Cover x 3
F		Filler x 4
G		Cover x 1

H		Cover x 1
I		Cover x 1
J		Cover x 1
K		Top Cap x 2
L		Waterproof strip x 1

AA		M4 *20mm Screw x 1
AB		Adjustment block x 1
AC		Top Cap x 1
AD		Top Cap(LH) x 1
AE		Top Cap(RH) x 1
AF		Filler x 2

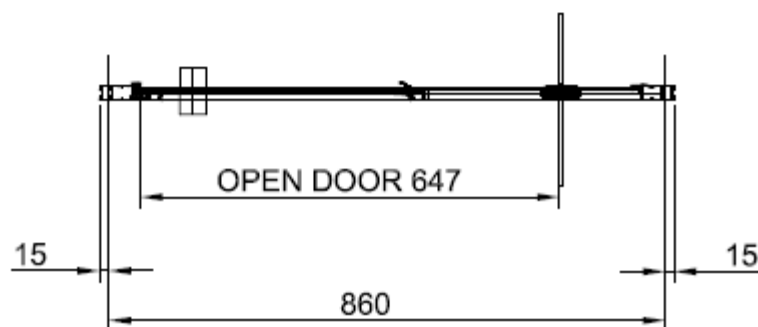
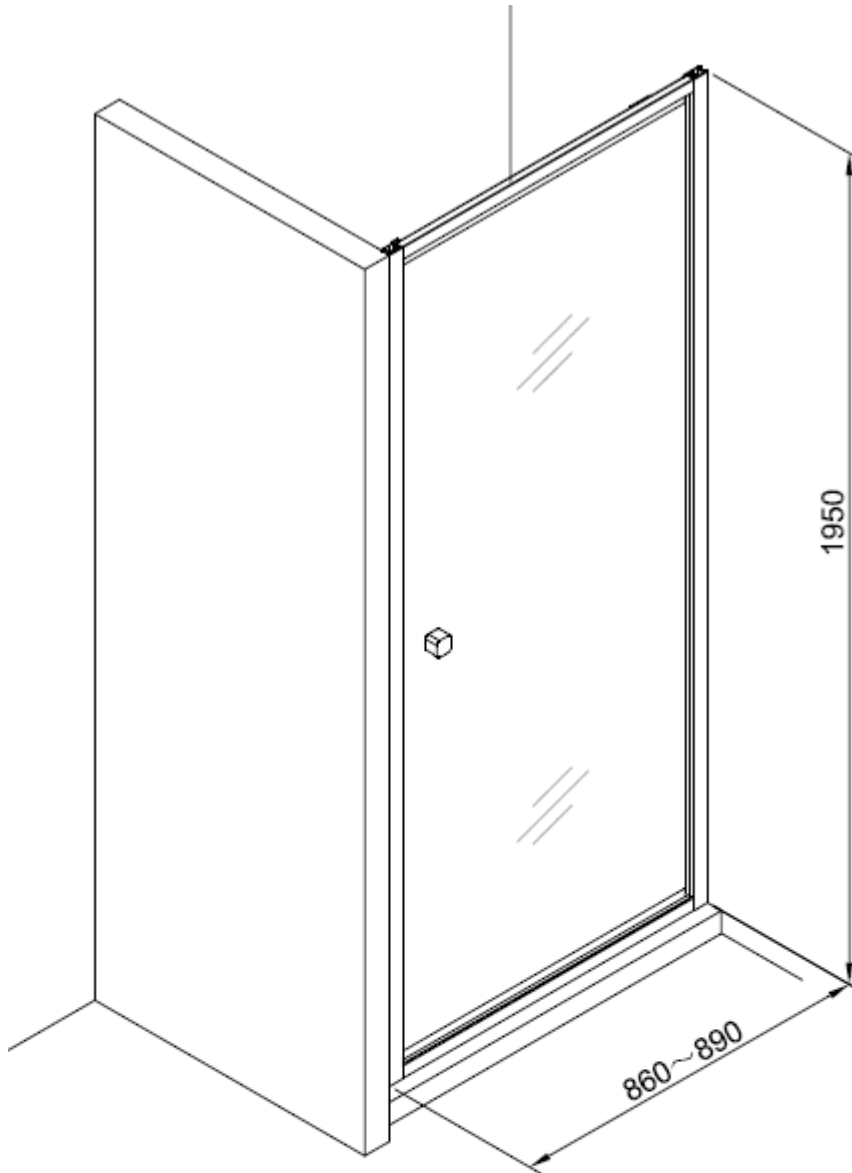


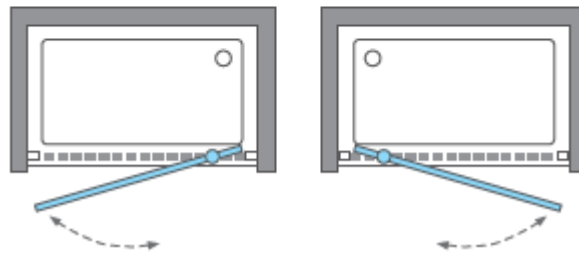
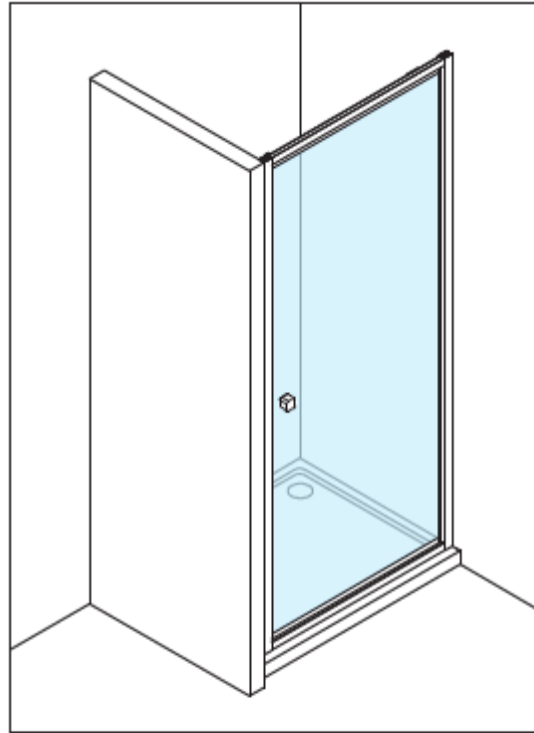
Model	x (mm)	y (mm)
CAPDSC0760	720~750	1950
CAPDSC0800	760~790	1950
CAPDSC0900	860~890	1950
CAPDBC0900	860~890	1950
CAPDSC1000	960~990	1950



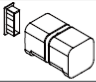


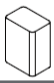
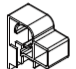
Measurements in millimetres mm
Information updated January 2020
Tel 0345 873 8840


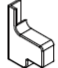
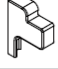
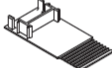
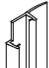
crosswater[™]

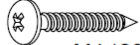
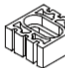

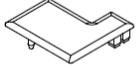
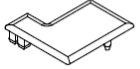

CLEAR 6 PIVOT DOOR
CAPDSC0900

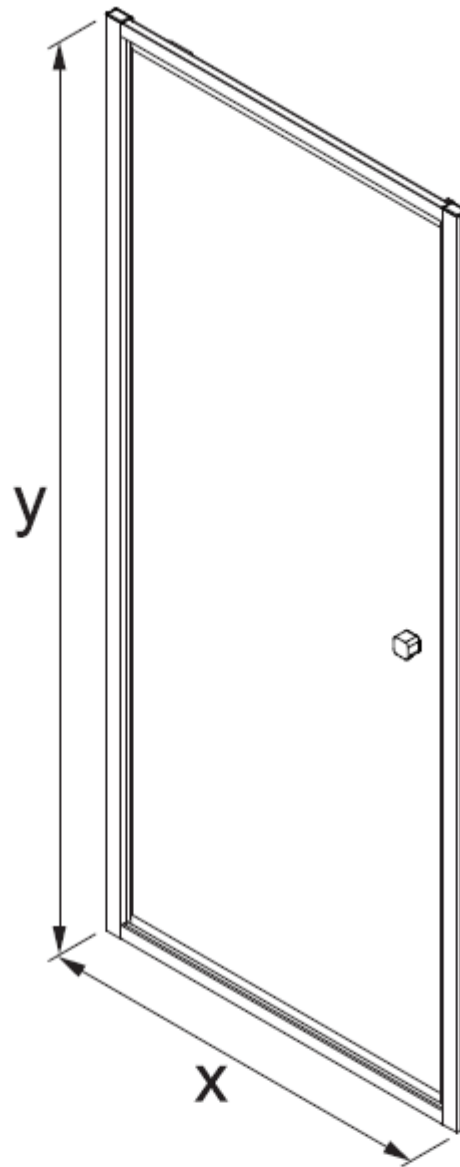




A		M4 *40mm Screw x 6
B		Wall Plug x 6
C		Handle x 1
D		Sleeve x 1
E		Cover x 3
F		Filler x 4
G		Cover x 1

H		Cover x 1
I		Cover x 1
J		Cover x 1
K		Top Cap x 2
L		Waterproof strip x 1

AA		M4 *20mm Screw x 1
AB		Adjustment block x 1
AC		Top Cap x 1
AD		Top Cap(LH) x 1
AE		Top Cap(RH) x 1
AF		Filler x 2



Model	x (mm)	y (mm)
CAPDSC0760	720~750	1950
CAPDSC0800	760~790	1950
CAPDSC0900	860~890	1950
CAPDBC0900	860~890	1950
CAPDSC1000	960~990	1950