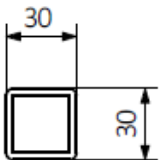
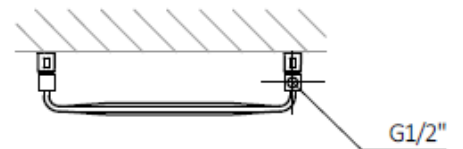
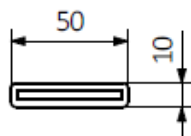


Collector:



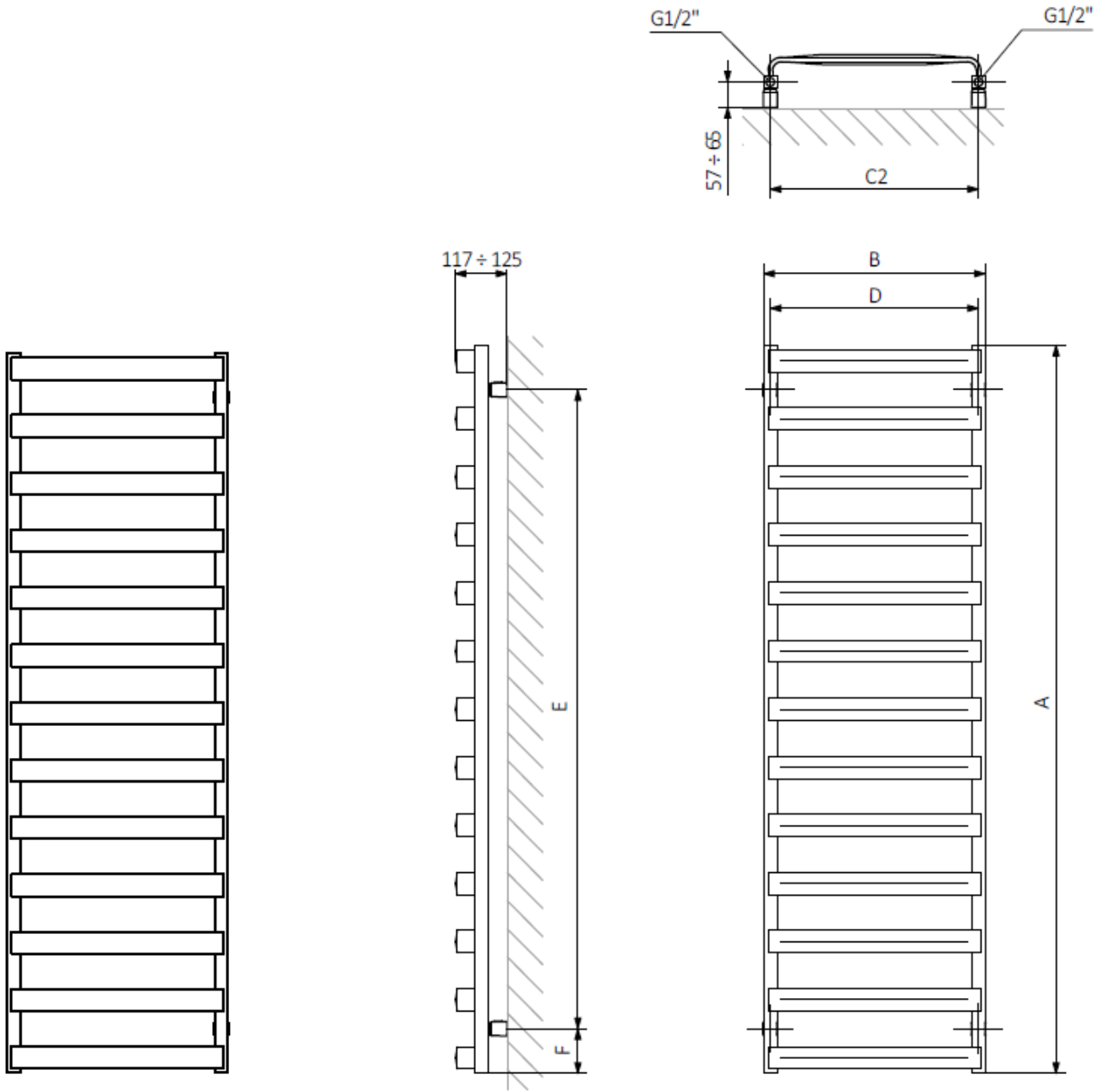
Pipe:



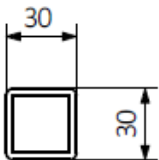
Code	Colour	A	B	C2	D	E	F		Weight	Volume	Output BTU	Output Watts	He
		mm	mm	mm	mm	mm	mm	Bars	Kg	dm ³	D T50°C	D T50°C	Output
AR50X1150MB	Mettalic Black	1110	500	470	470	910	100	9	14.50	3.16	775	227	400
AR50X1150SW	Matt White	1110	500	470	470	910	100	9	14.50	3.16	775	227	400

Working pressure: 1000 kPa

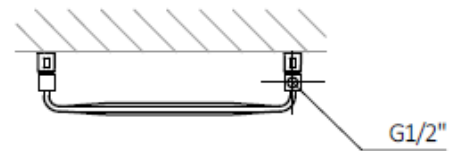
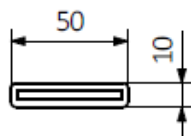
Maximum operating temperature: 95°C



Collector:



Pipe:



Code	Colour	A	B	C2	D	E	F		Weight	Volume	Output BTU	Output Watts	He
		mm	mm	mm	mm	mm	mm	Bars	Kg	dm ³	D T50°C	D T50°C	Output
AR50X1630MB	Mettalic Black	1630	500	470	470	1430	100	13	20.90	4.6	1119	328	600
AR50X1630SW	Matt White	1630	500	470	470	1430	100	13	20.90	4.6	1119	328	600

Working pressure: 1000 kPa
Maximum operating temperature: 95°C

PRODUCT DATA SHEET



PRODUCT CODE

ELE400MB

RANGE

Element

DESCRIPTION

Element 400W Matt Black

WEBSITE LINK [Click Here](#)

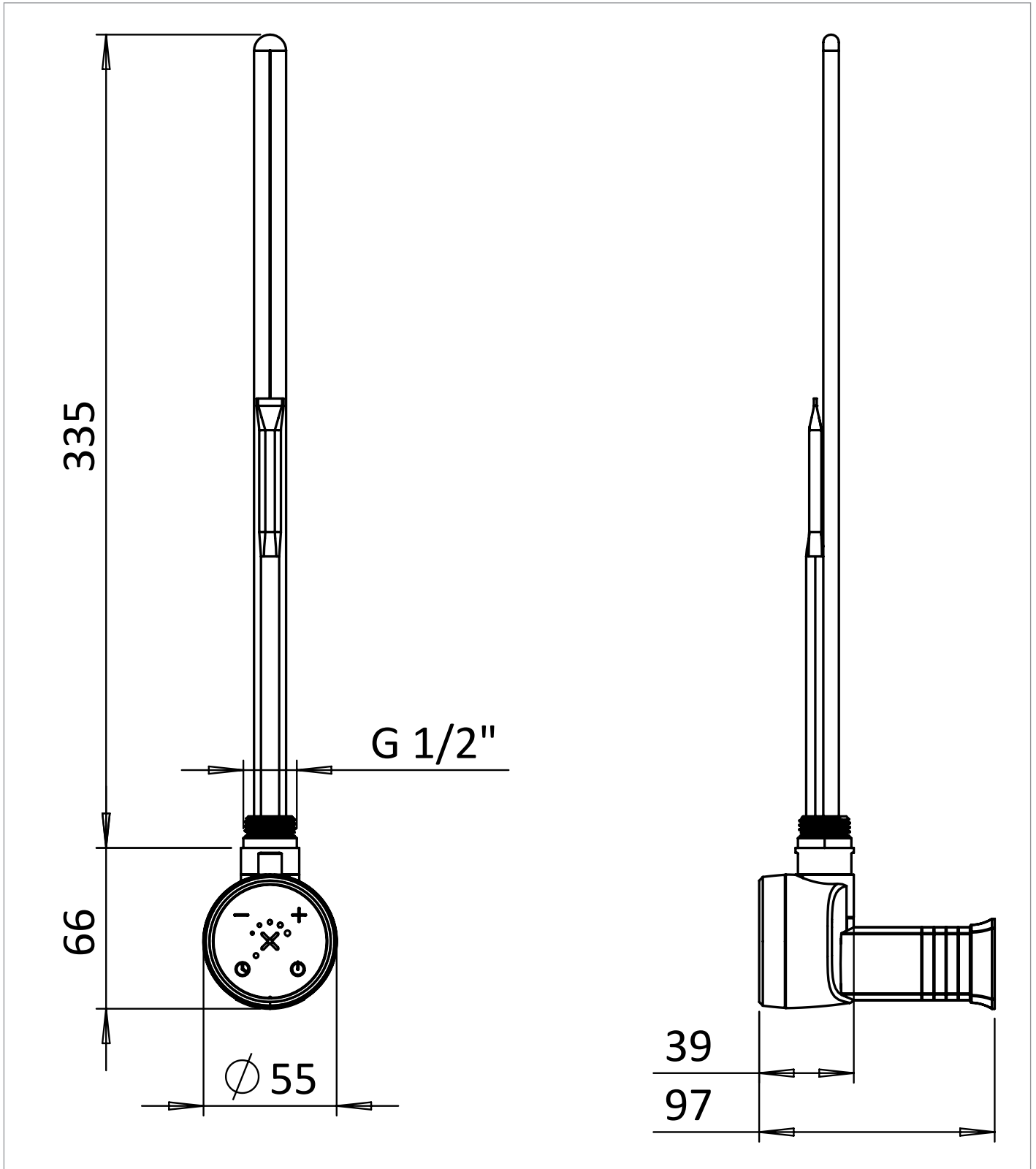
CATEGORY	Heating
WARRANTY DETAILS	2 Years
COLOUR	Matt Black
FINISH APPLICATION	Lacquered
PRIMARY MATERIAL	ABS
PRODUCT WIDTH MM	55
PRODUCT LENGTH MM	401
PRODUCT DEPTH MM	97
PRODUCT NET WEIGHT KG	0.31
STANDARDS	BS EN 60335-1:2012

OUTPUT (WATTS)	400
IP RATING HEATING	IPx5
CUT OUT TEMPERATURE (DEGREES)	65
OUTPUT (BTU ΔT=50)	1364.85
FULLY FILLED WEIGHT (KG)	0.31

TECHNICAL DIMENSIONS

Dimensions in mm unless otherwise specified.

Tolerances (per material type) apply.



SPARES LIST

Only the parts labelled are available as spares.

NO SPARES AVAILABLE

PRODUCT DATA SHEET



PRODUCT CODE

ELE600MB

RANGE

Element

DESCRIPTION

Element 600W Matt Black

WEBSITE LINK [Click Here](#)

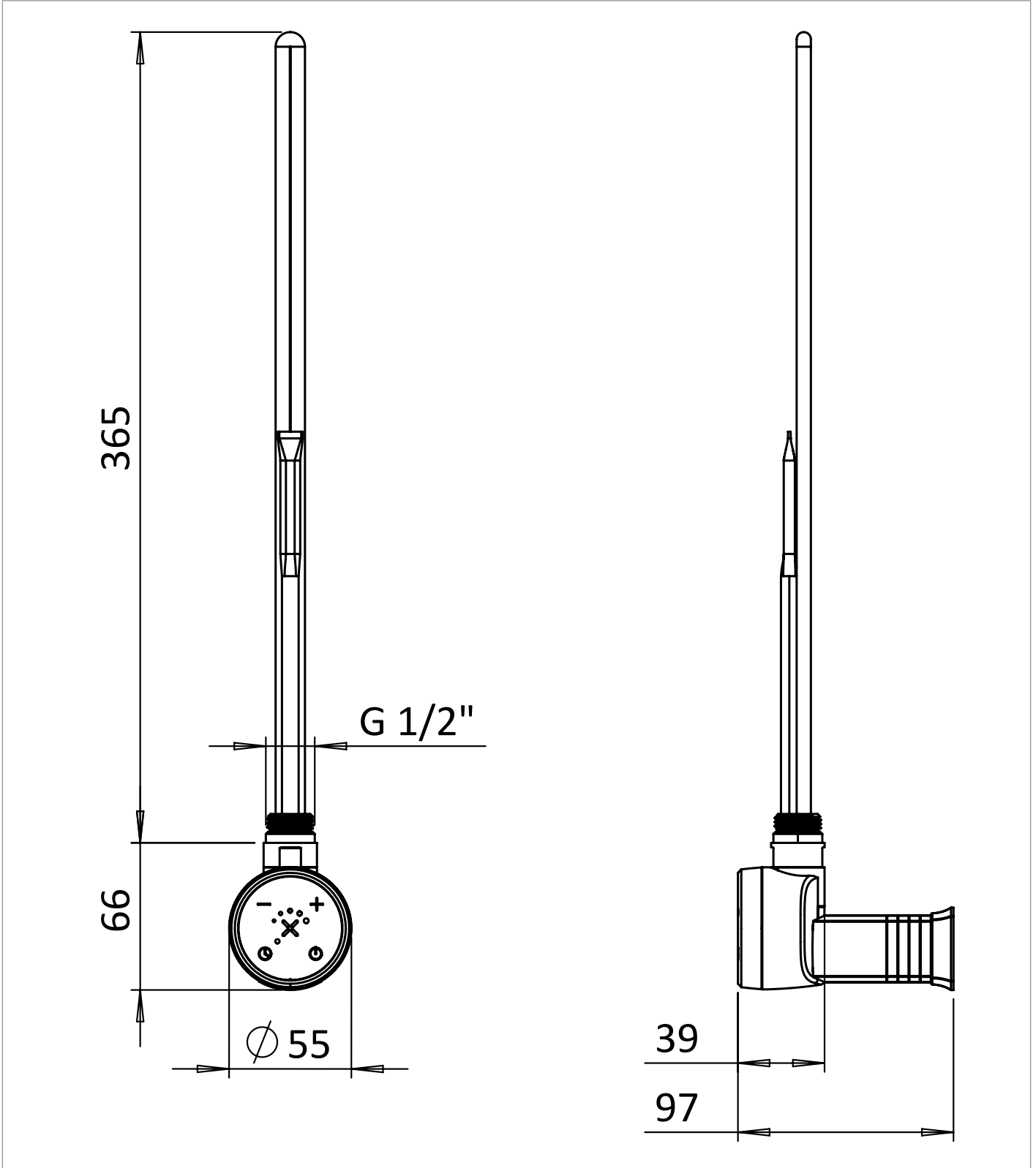
CATEGORY	Heating
WARRANTY DETAILS	2 Years
COLOUR	Matt Black
FINISH APPLICATION	Lacquered
PRIMARY MATERIAL	ABS
PRODUCT WIDTH MM	431
PRODUCT HEIGHT MM	431
PRODUCT DEPTH MM	55
PRODUCT NET WEIGHT KG	0.31
STANDARDS	BS EN 60335-1:2012

OUTPUT (WATTS)	600
IP RATING HEATING	IPx5
CUT OUT TEMPERATURE (DEGREES)	65
OUTPUT (BTU ΔT=50)	2047.28
FULLY FILLED WEIGHT (KG)	0.31

TECHNICAL DIMENSIONS

Dimensions in mm unless otherwise specified.

Tolerances (per material type) apply.



SPARES LIST

Only the parts labelled are available as spares.

NO SPARES AVAILABLE