

PRODUCT DATA SHEET



PRODUCT CODE

ELE400F

RANGE

Element

DESCRIPTION

Element 400W Brushed Brass

WEBSITE LINK [Click Here](#)

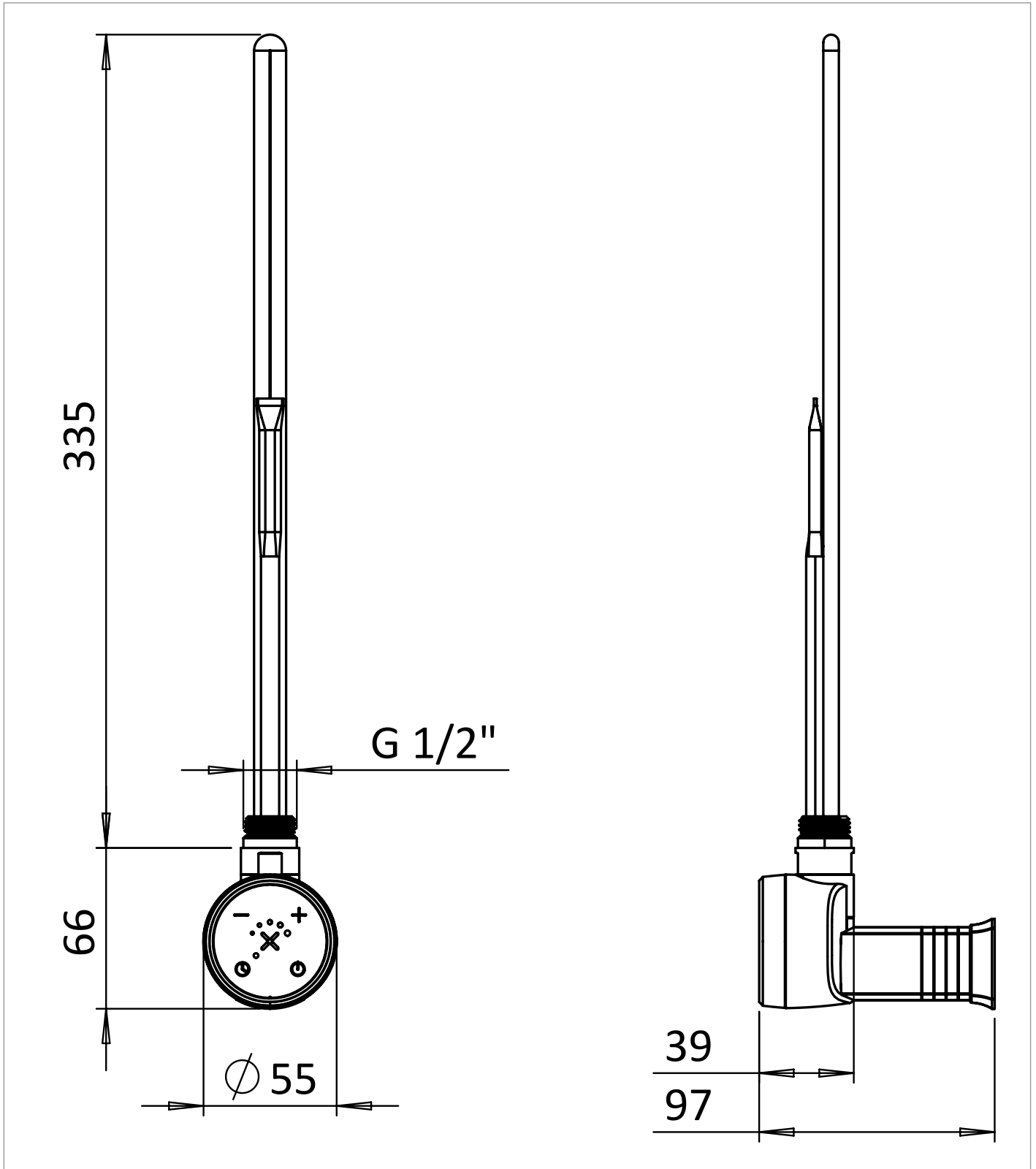
CATEGORY	Heating
WARRANTY DETAILS	2 Years
COLOUR	Brushed Brass
FINISH APPLICATION	Lacquered
PRIMARY MATERIAL	ABS
PRODUCT WIDTH MM	55
PRODUCT LENGTH MM	401
PRODUCT DEPTH MM	97
PRODUCT NET WEIGHT KG	0.31
STANDARDS	BS EN 60335-1:2012

OUTPUT (WATTS)	400
IP RATING HEATING	IPx5
CUT OUT TEMPERATURE (DEGREES)	65
OUTPUT (BTU ΔT=50)	1364.85
FULLY FILLED WEIGHT (KG)	0.31

TECHNICAL DIMENSIONS

Dimensions in mm unless otherwise specified.

Tolerances (per material type) apply.



SPARES LIST

Only the parts labelled are available as spares.

NO SPARES AVAILABLE

PRODUCT DATA SHEET



PRODUCT CODE

ELE600F

RANGE

Element

DESCRIPTION

Element 600W Brushed Brass

WEBSITE LINK [Click Here](#)

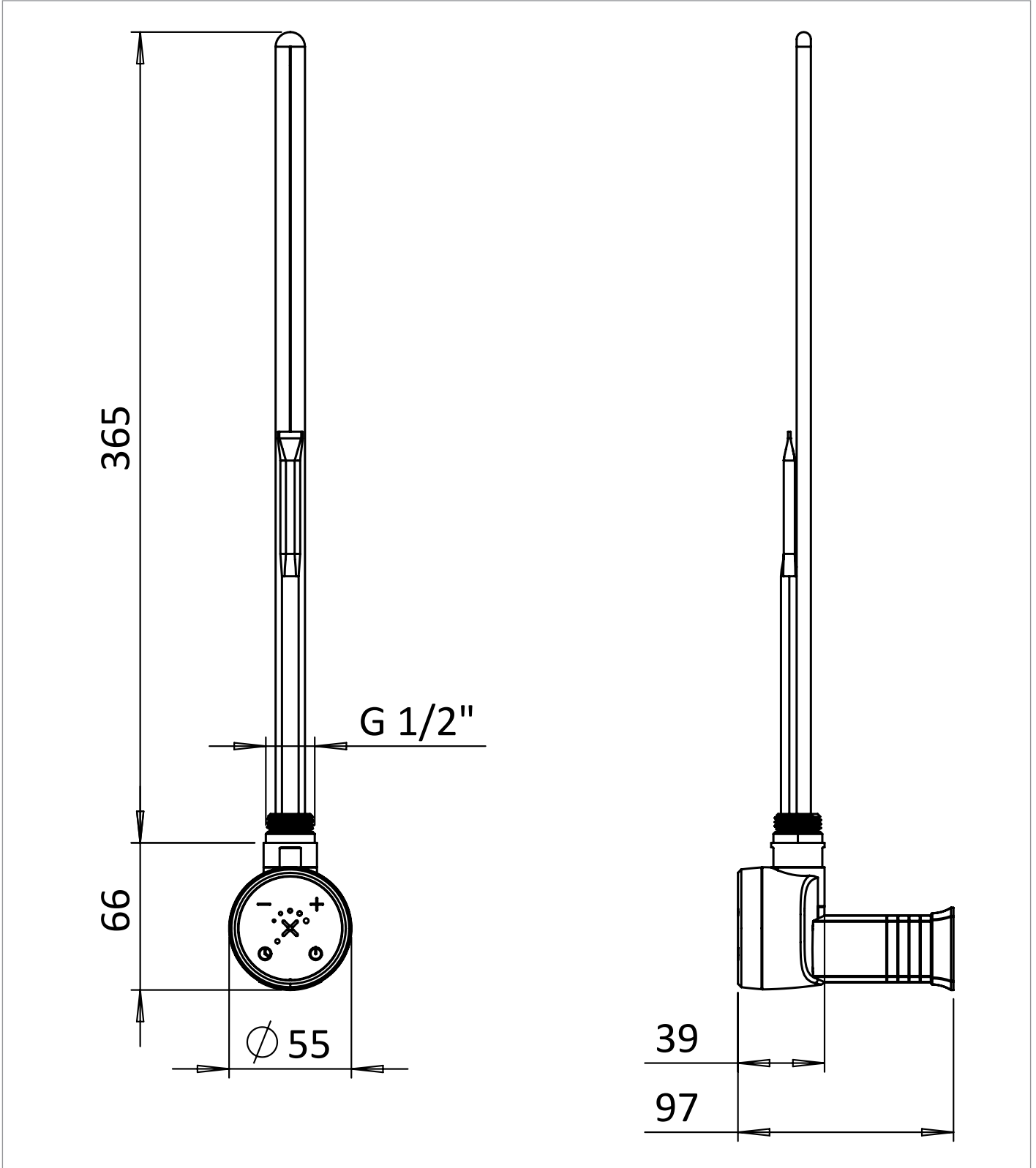
CATEGORY	Heating
WARRANTY DETAILS	2 Years
COLOUR	Brushed Brass
FINISH APPLICATION	Lacquered
PRIMARY MATERIAL	ABS
PRODUCT WIDTH MM	431
PRODUCT HEIGHT MM	431
PRODUCT DEPTH MM	55
PRODUCT NET WEIGHT KG	0.31
STANDARDS	BS EN 60335-1:2012

OUTPUT (WATTS)	600
IP RATING HEATING	IPx5
CUT OUT TEMPERATURE (DEGREES)	65
OUTPUT (BTU ΔT=50)	2047.28
FULLY FILLED WEIGHT (KG)	0.31

TECHNICAL DIMENSIONS

Dimensions in mm unless otherwise specified.

Tolerances (per material type) apply.



SPARES LIST

Only the parts labelled are available as spares.

NO SPARES AVAILABLE