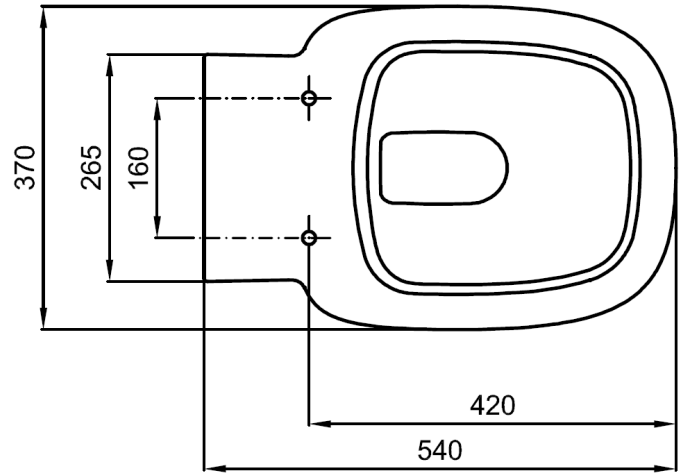


KAI S Wall Hung WC

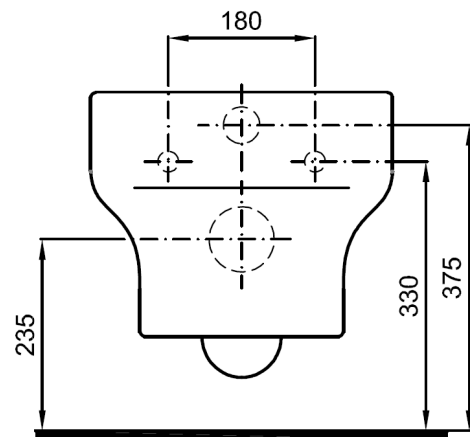
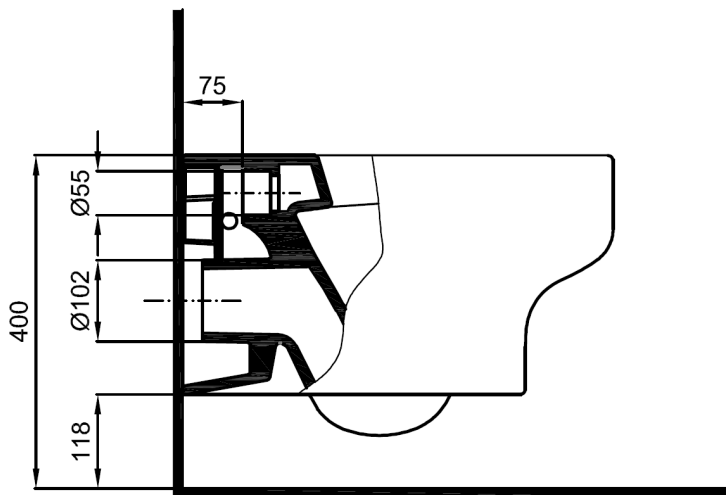


TECHNICAL DATA

<b>CODE No</b>	KL6306CW Wall Hung Toilet
<b>Seat required</b>	KL6305W Soft Close Wrap Over
<b>Recommended use</b>	Domestic, hotel, residential
<b>WC Type</b>	Wall Hung
<b>Rim type</b>	Closed Box
<b>Material</b>	Vitreous China
<b>Outlet</b>	Horizontal
<b>Flush</b>	Washdown 4.5/3l dual flush
<b>Standards</b>	EN997-CL2-4.5/3l
<b>Fixing</b>	Wall fixings included and pre-installed,
<b>Weight</b>	WC 22.5kg
<b>Warranty</b>	15 years on ceramic

SPECIFICATION

Wall hung washdown WC pan  
 EN 997-CL2-4.5/3l, EN 33, dimensions w 370 x h 400 x d 540 mm  
 Horizontal outlet,  
 Fully back to wall, concealed trap, concealed fittings  
 Special feature: concealed surfaces directing water are fully glazed throughout, closed water rim, vacuum checked



## KAI S Soft Close Seat and Cover



TECHNICAL DATA		SPECIFICATION
<b>CODE No</b>	KL6305W Soft Close Wrap Over	Soft Close Wrap over seat and cover. Duroplast material. Compatible with Floorstanding WCs KL6305CW, KL6315CW and KL6307CW and Wall Hung WC KL6306CW
<b>Compatible with:</b>	KL6305CW, KL6315CW, KL6306CW and KL6307CW	
<b>Recommended use</b>	Domestic, hotel, residential	
<b>Material</b>	Duroplast Chromed metal hinges and hinge fitting covers	
<b>Standards</b>	EN997-CL2-4.5/3I	
<b>Fixing</b>	Fixings kit included	
<b>Weight</b>	2.2kg	
<b>Warranty</b>	2 years	

