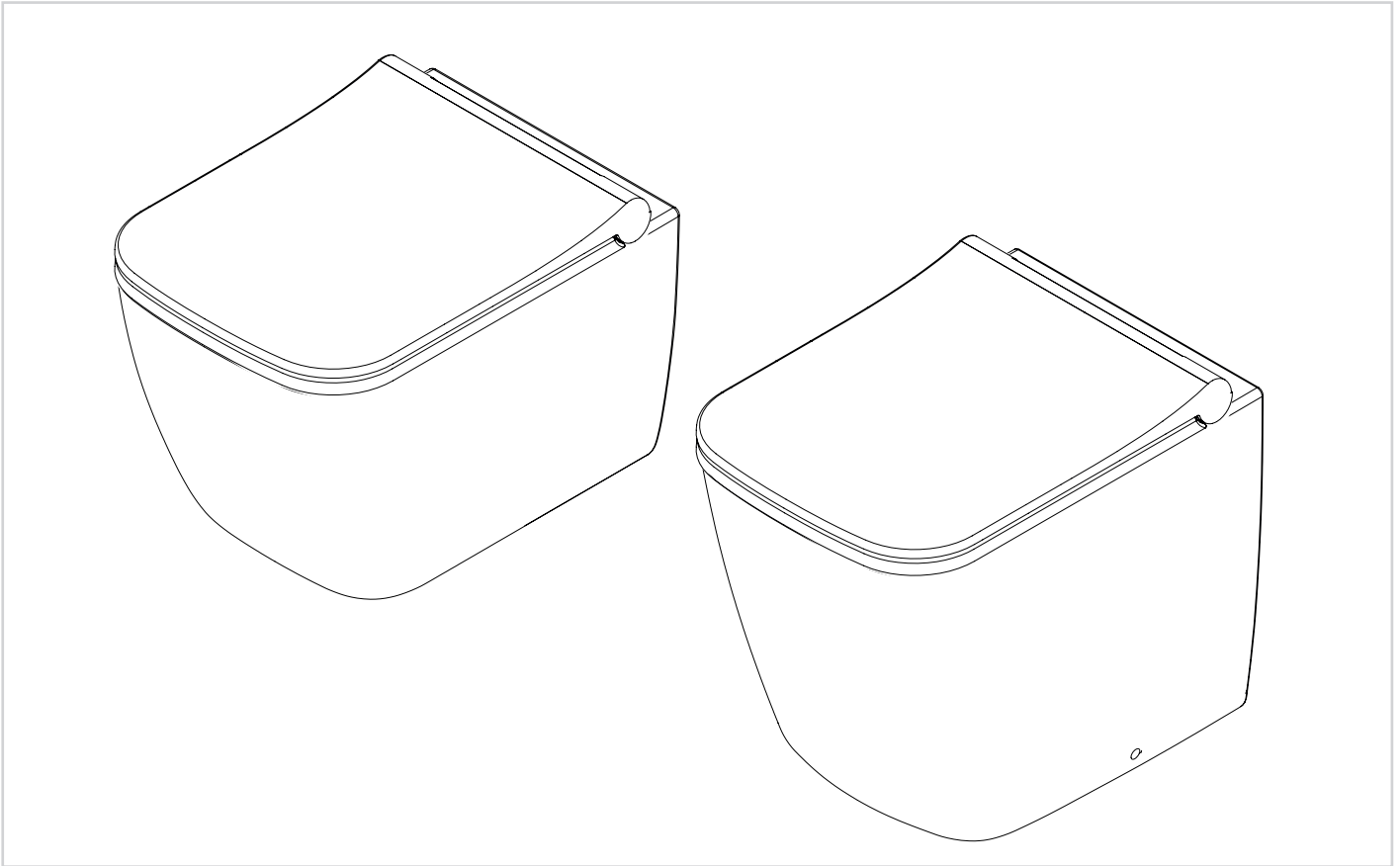


LIBRA

Sanitaryware



PRODUCT CODES:

LB6117Cx - 35kg
LB6115Cx - 25kg
LB6105Cx - 2.5kg



IMPORTANT INFORMATION BEFORE YOU START

Please read carefully and keep this information for further reference.

Thank you for buying a Crosswater Product. To ensure that it works to its full potential, it needs to be fitted correctly.

Check the contents of the pack carefully before installation.

Crosswater will not be held responsible for any de-fit/re-fit costs where faulty product has been fitted. If any fault is found with materials or workmanship, it must be reported immediately to the manufacturer. Remedial action will be taken, based on information received, on condition that:

1. Full details are supplied to the manufacturer.
2. The product has not been modified or tampered with;

3. The manufacturer is informed of any damage/shortages prior to installation.

4. The product has not been installed, or attempts have been made to install.

We do not accept responsibility for any problems that may occur through incorrect installation. This product should only be installed by a suitably qualified plumber/installer. Should the installation be completed by a non-qualified person any product guarantee maybe considered invalid. For a claim made under our warranty, written certification of your installer's qualifications may be required.



IMPORTANT INFORMATION

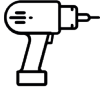



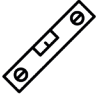



Please read carefully and keep this information for further reference.

Please check for any hidden pipes or electrical cables before drilling holes in the floor or walls. When using power tools always follow the manufacturer's user instructions. This installation guide details fitting to a solid wall. If your bathroom has studded/ plasterboard walls, please use appropriate plasterboard fixings.

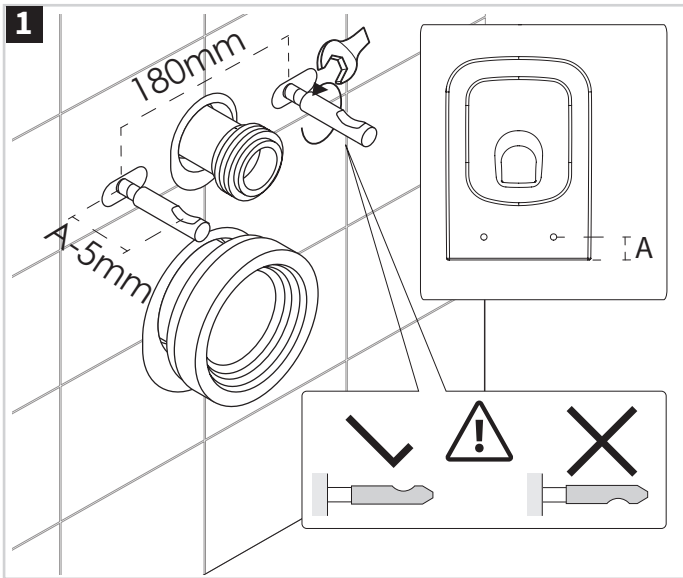
Make sure that the wall can take the weight of the products before undertaking the installation. Fittings, when over tightened can create stress within the basin material which may in time cause the failure of the product. Care should also be taken when fitting a tap and waste to the basin in order to prevent similar stress related failures. Waste fittings should be carefully bedded in silicone and the back nut hand tightened; an additional quarter turn using a suitable spanner is sufficient to create the required watertight seal.

If any maintenance is required then it must be carried out by a qualified Plumber. The manufacturer reserves the right to make technical modifications without prior notice.

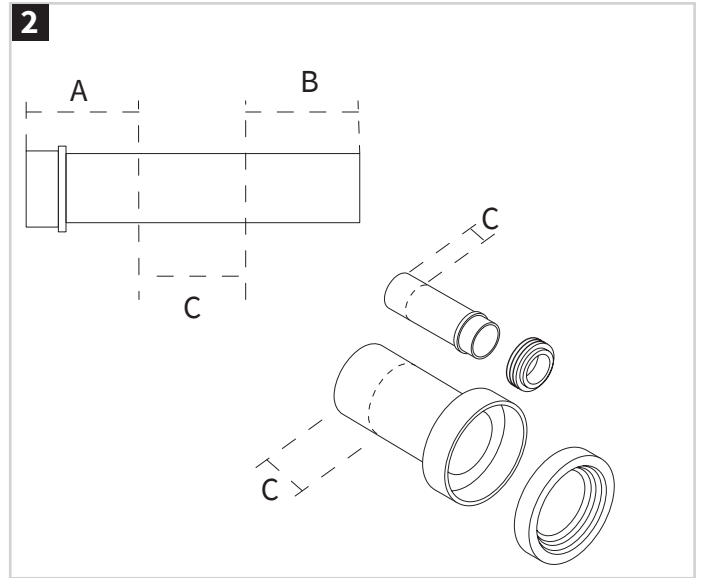
Tools Required (not supplied):

<p><u>Drill + 8mm Drill Bit</u></p>		<p><u>Pencil</u></p>	
<p><u>Tape Measure</u></p>		<p><u>Screw Driver</u></p>	
<p><u>Spirit Level</u></p>		<p><u>Safety Goggles</u></p>	
<p><u>Adjustable Spanner</u></p>		<p><u>Water Based Silicone Sealant</u></p>	

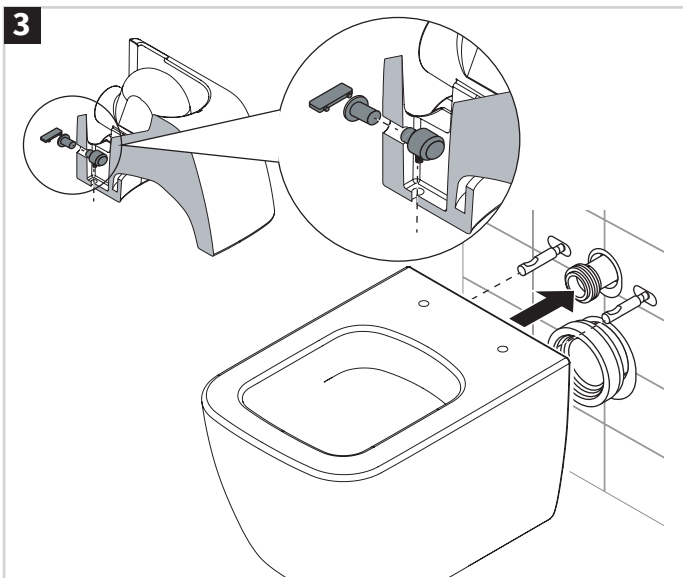
INSTALLATION - WALL HUNG



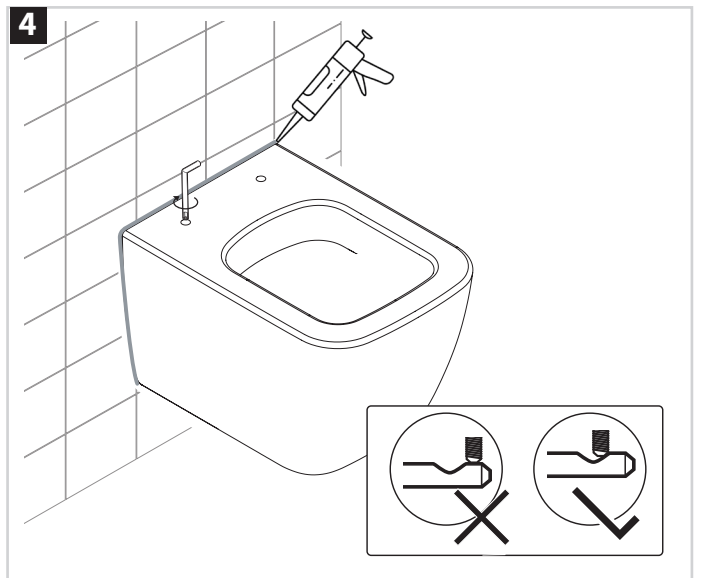
Follow the manufacturer's instructions for the installation of the concealed cistern selected, ensuring the fixing points match the width of the wall hung toilet. Measure distance A and reduce the depth of the bullets by 5mm to ensure a tight grip against the wall surface. Make sure the bullet fixings are facing up.



Push the inlet as far as possible into the toilet and mark the distance on the pipe. Measurement A. Then push the inlet into the concealed cistern as far as possible and mark the distance on the pipe. Measurement B. Measure the distance between both marks. Measurement C. Finally, cut measurement C off the end of the inlet pipe before securing the toilet to the wall. Follow the manufacturer's guidelines for applying grease to the seals



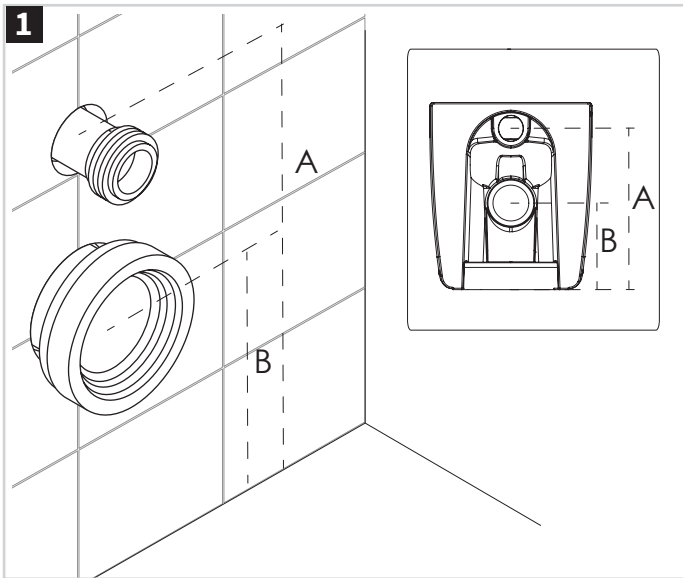
Place the toilet upside down and assemble the fixing kit on the toilet installation holes ensuring a tight fit. The grub screws should be facing up, so they can be accessed through the toilet seat holes. Place the toilet on the fixings.



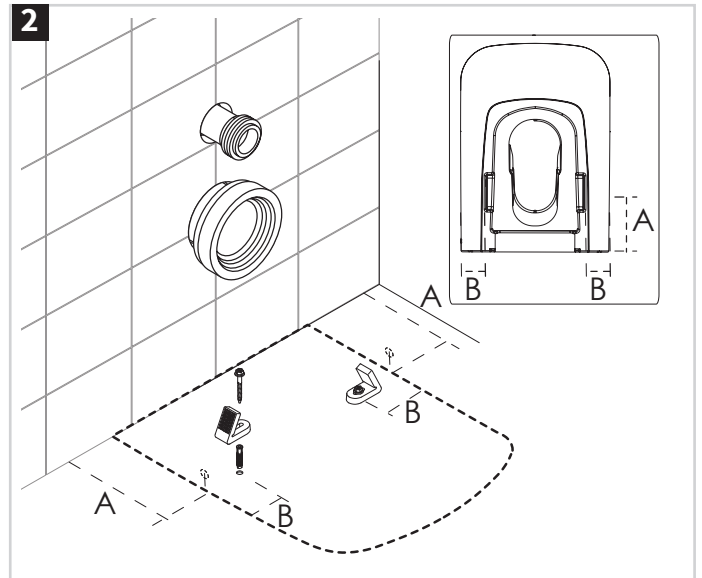
Secure the toilet to the concealed cistern and wall by tightening the grub screws to the bullet fixings.

Apply a flexible sealant around the top and rear of the toilet as shown, leave to dry for 24 hours before use.

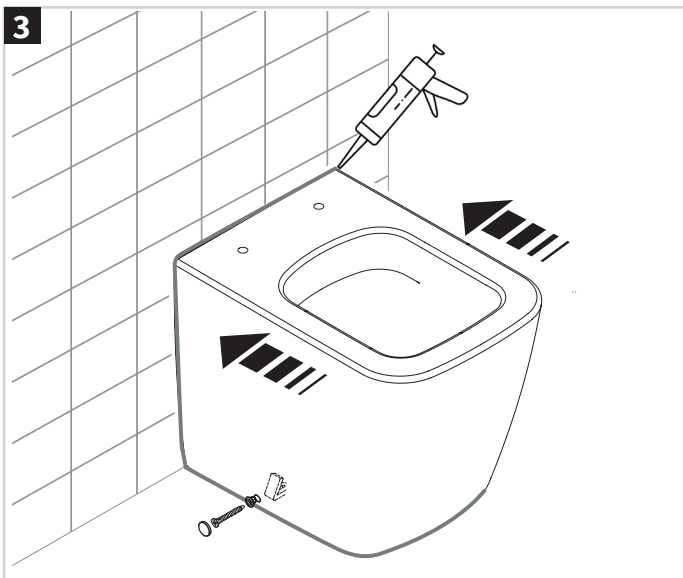
INSTALLATION - BACK TO WALL



Follow the manufacturer's instructions for the installation of the concealed cistern selected, ensuring the inlet and outlet wastes match the measurements of the back to wall toilet.



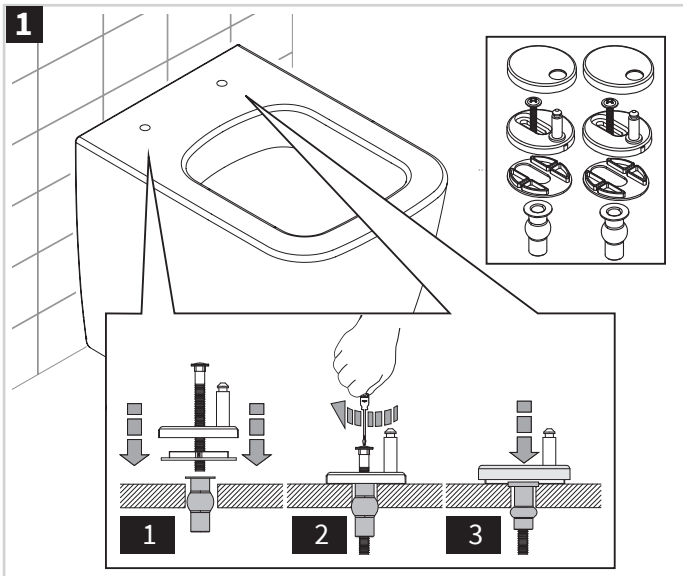
Offer the toilet to its position and mark the location of the side holes on the floor. Then remove the toilet and measure the thickness of the ceramic at distance A. Install the toilet floor fixings.



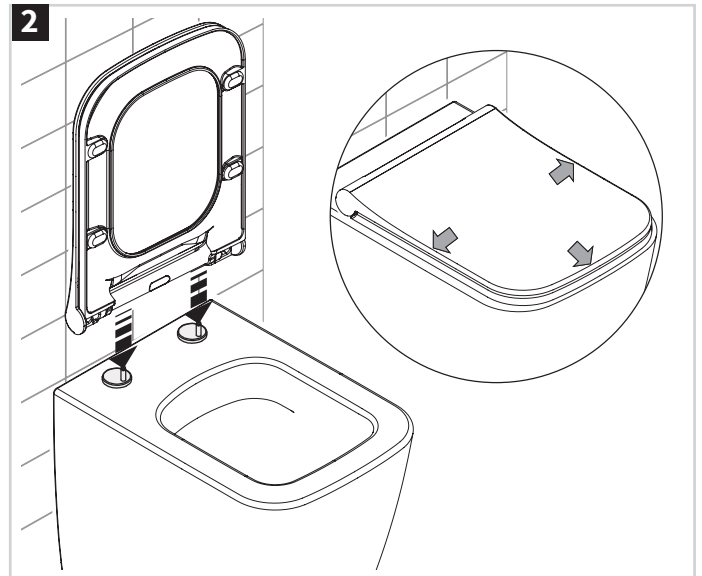
Place the toilet back in position and secure to the floor fixings using the screws, washers and cover caps provided.

Apply a flexible sealant around the base and rear of the toilet as shown, leave to dry for 24 hours before use.

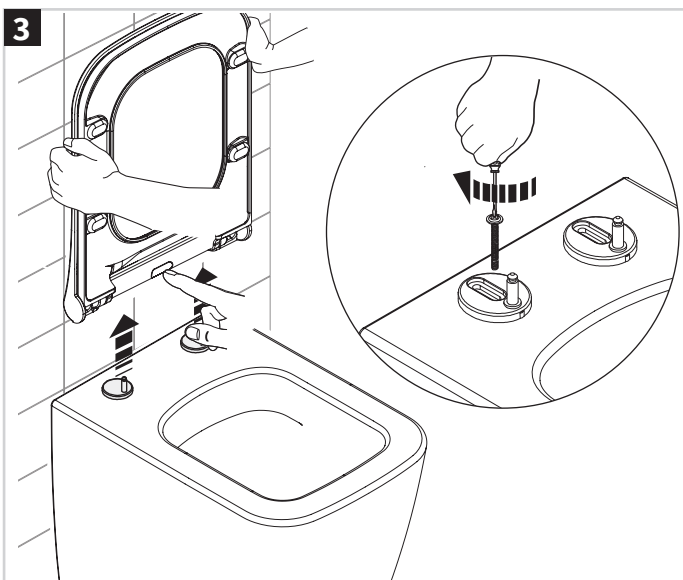
INSTALLATION - TOILET SEAT



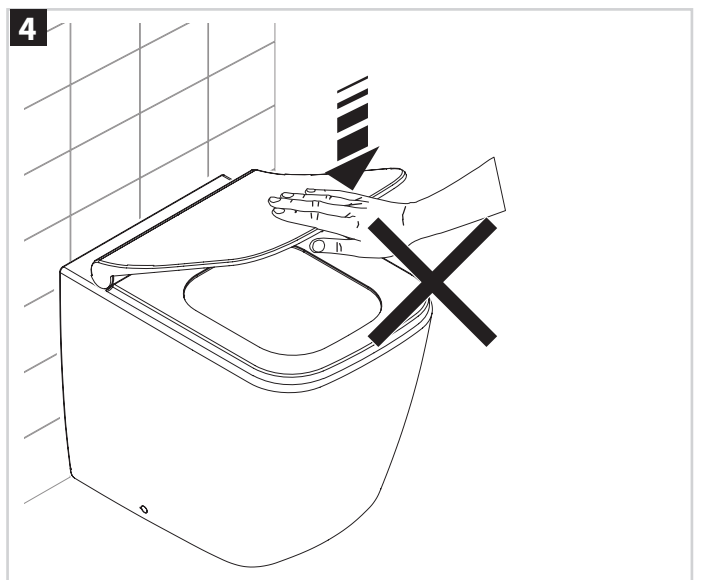
Locate the fixings on the toilet seat and tighten in the order shown, using a screw driver. Do not over-tighten at this stage.



Insert the toilet seat into the fixings and allow to soft-close. Move the seat into position, ensuring the sides and front are flush with the toilet.



Once the position of the toilet seat is achieved, carefully remove the toilet seat by pressing the central release button. Avoid moving the fixings whilst releasing the seat and tighten the fixings using a screw driver and moderate force. The Cover caps can now be applied before returning the seat to its position.



Do not force the toilet seat shut as this may damage the soft-close mechanism over time. Do not stand on the seat. When cleaning the toilet, always leave the toilet seat open to allow chemical gases to release. Do not leave harsh chemicals in the toilet bowl with the seat lid closed.

CARE & MAINTENANCE

Clean regularly using with warm soapy water and polish with only a soft cloth.

Any residues from soap, toiletries etc. should be rinsed off straight after use.

Household bleaches and cleaners containing harsh chemicals may damage the surface finish.

Avoid using abrasive cloths, scouring pads, scrub sponges, steel wool or anything similar.

Lime-scale marks can be cleaned using a diluted lime-scale remover used in accordance with manufacturers instructions.