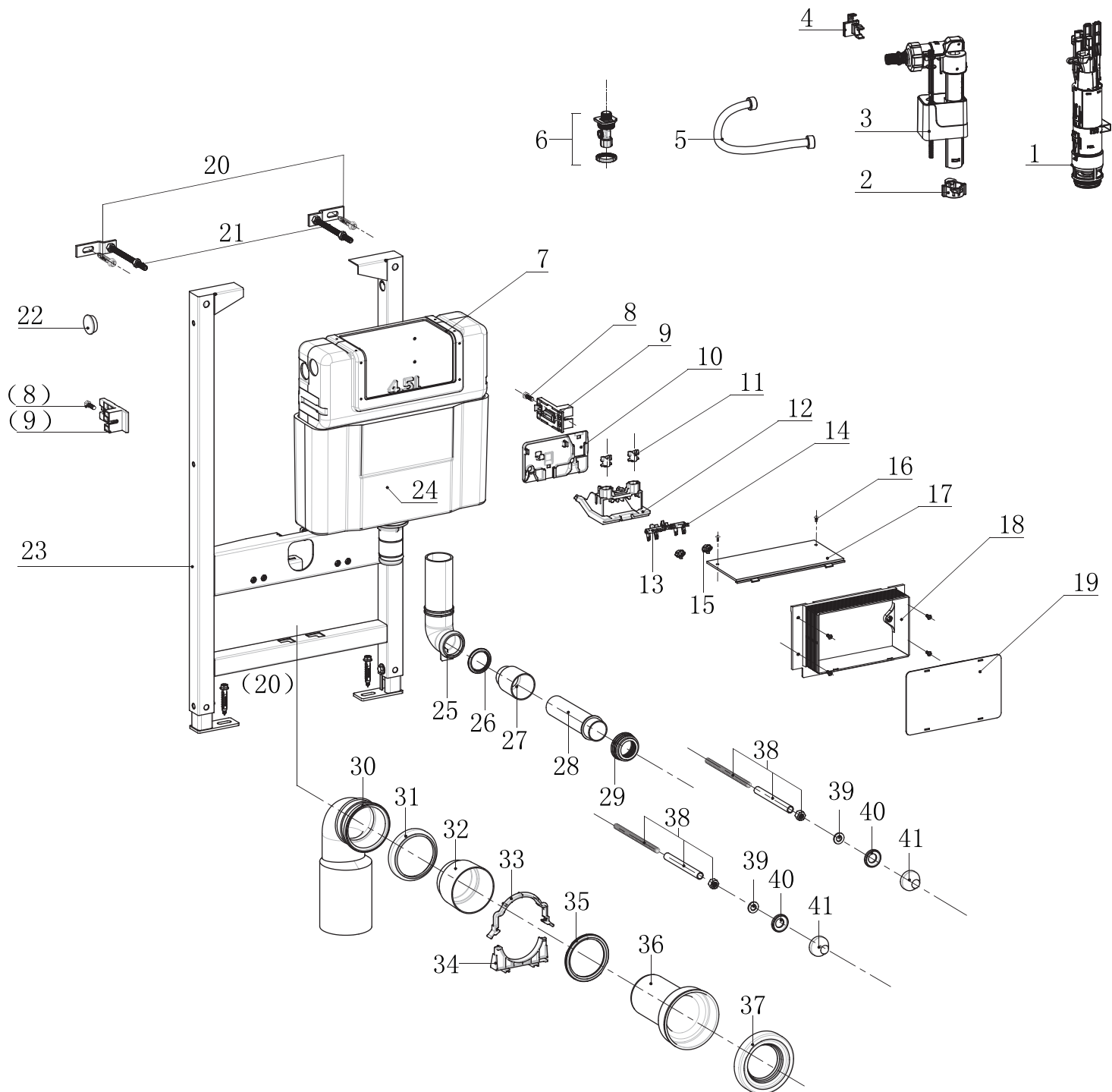


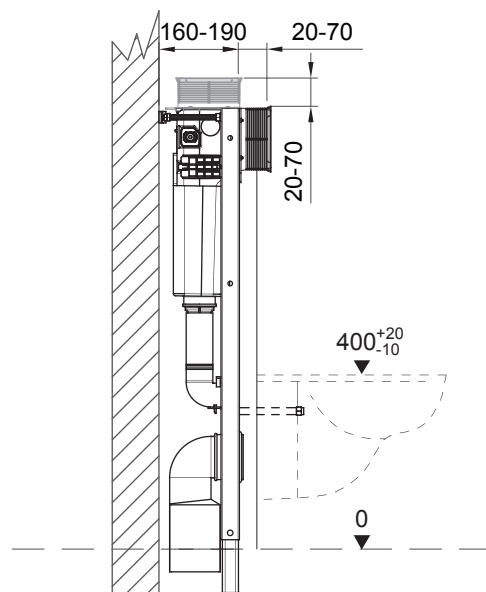
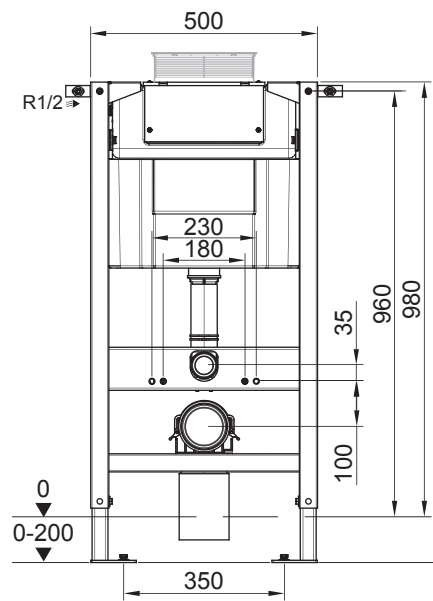
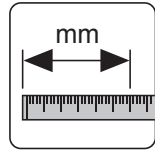
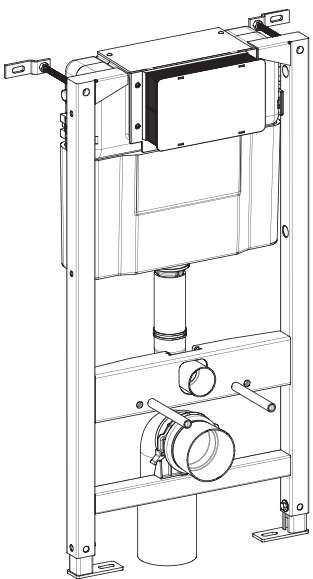
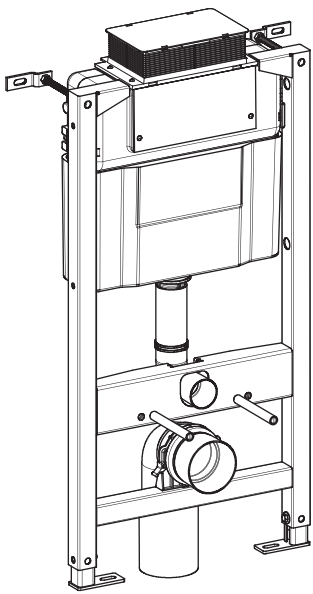
# **installation** instructions

WCF98X50+

crosswater<sup>®</sup>

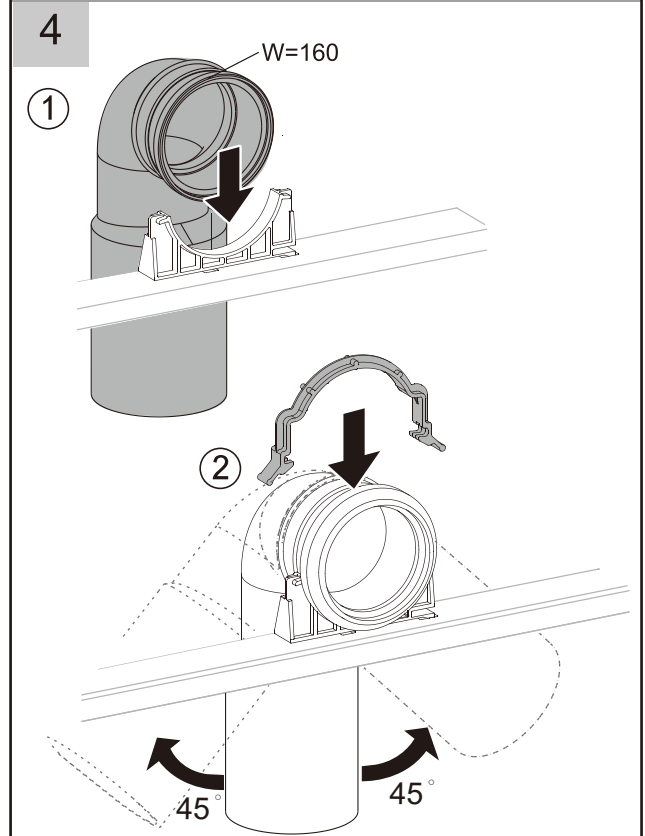
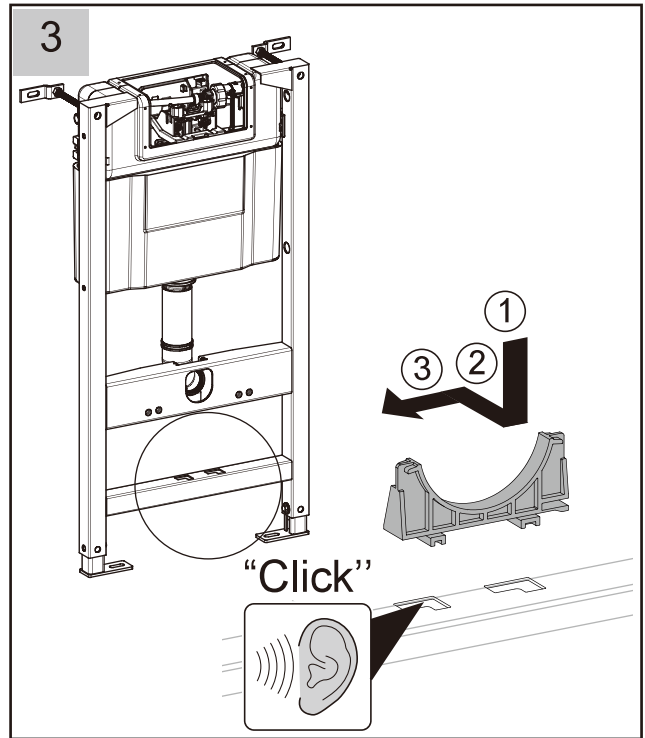
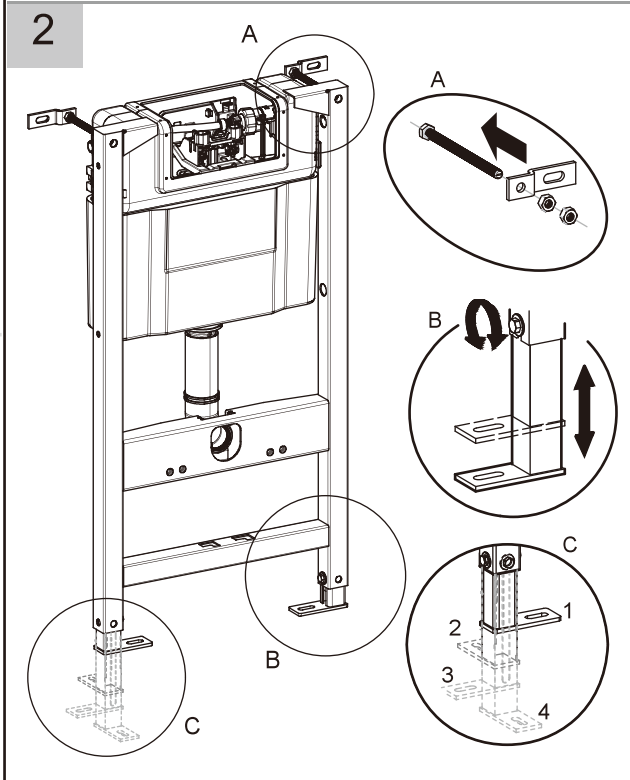
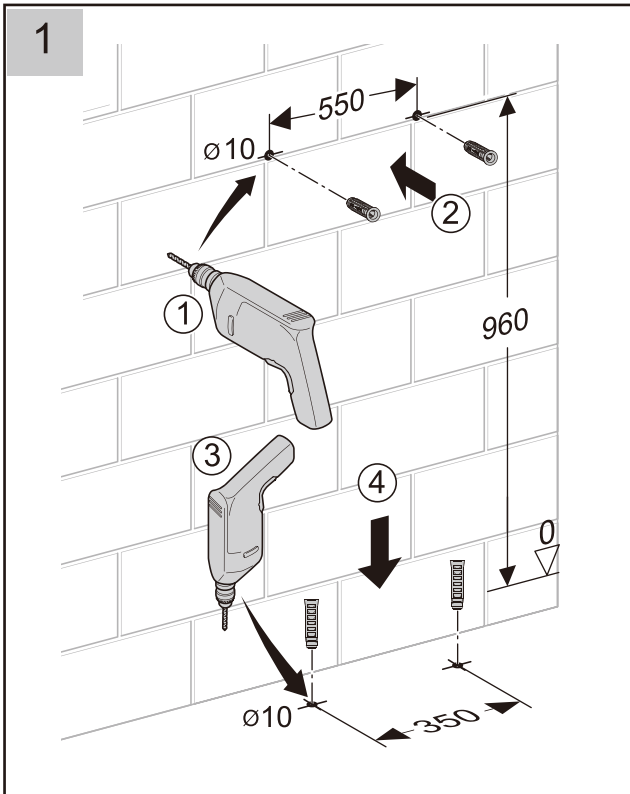


No.	Description	Quantity
1	Dual flush	1
2	Fill sleeve	1
3	Fill vavle	1
4	Fill clip	1
5	Soft pipe	1
6	Angle valve	1
7	Tank component	1
8	Screw	2
9	Tank hook	2
10	Fixing plate	1
11	Adjust nut	2
12	Gearing bracket	1
13	Full swing arm	1
14	Half swing arm	1
15	Adjust nut	2
16	Screw	6
17	Protection cover	1
18	Protection bracket	1
19	Protection cover	1
20	Expansion bolt	4
21	Wall fixation	2
22	Inlet cover	1
23	K8046 frame	1
24	Foam	1
25	Flush elbow	1
26	Seal ring	1
27	Embedded part	1
28	Straight scour	1
29	Seal sleeve	1
30	Waste elbow	1
31	Waste elbow cover	1
32	Embedded part	1
33	Top pipe clip	1
34	Down pipe clip	1
35	Seal ring	1
36	Straight pipe	1
37	Seal sleeve	1
38	Bolt component	2
39	Washer	2
40	Gasket	2
41	Nut cap	2

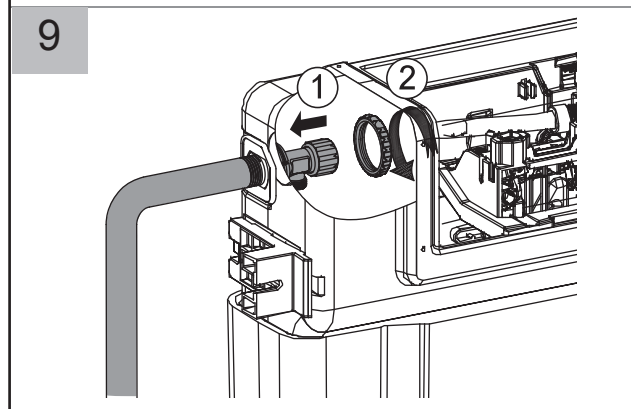
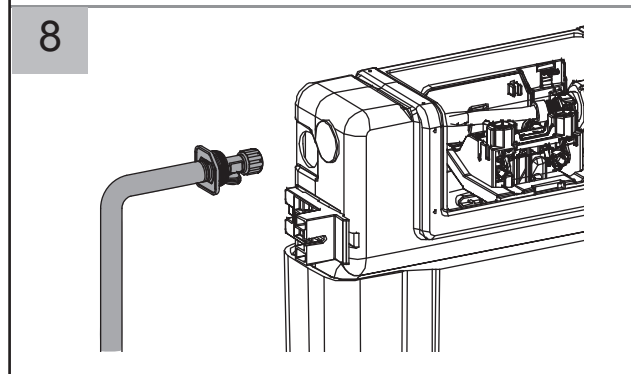
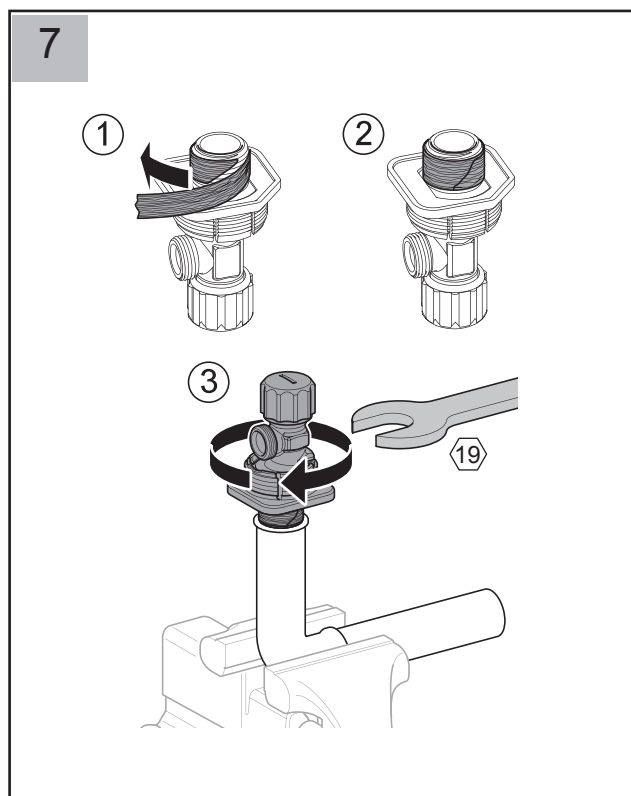
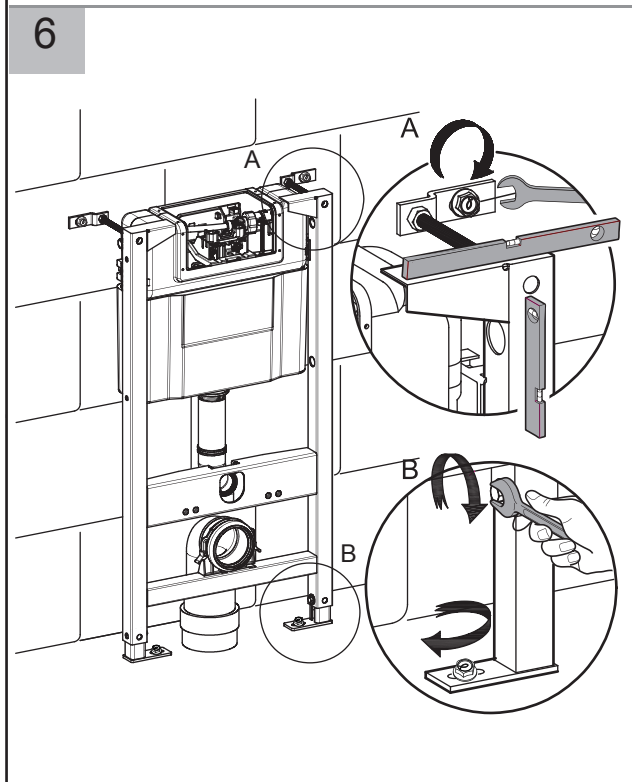
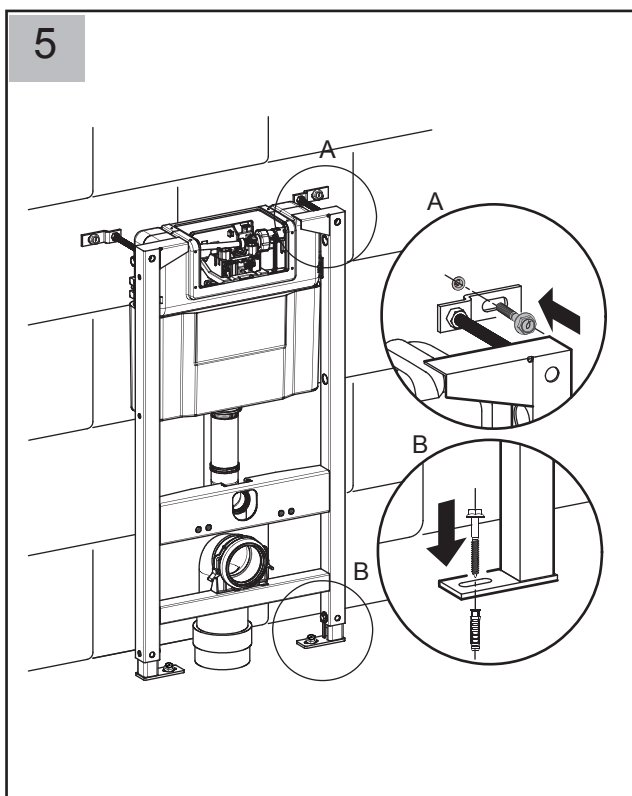


560455-1 18-1.4

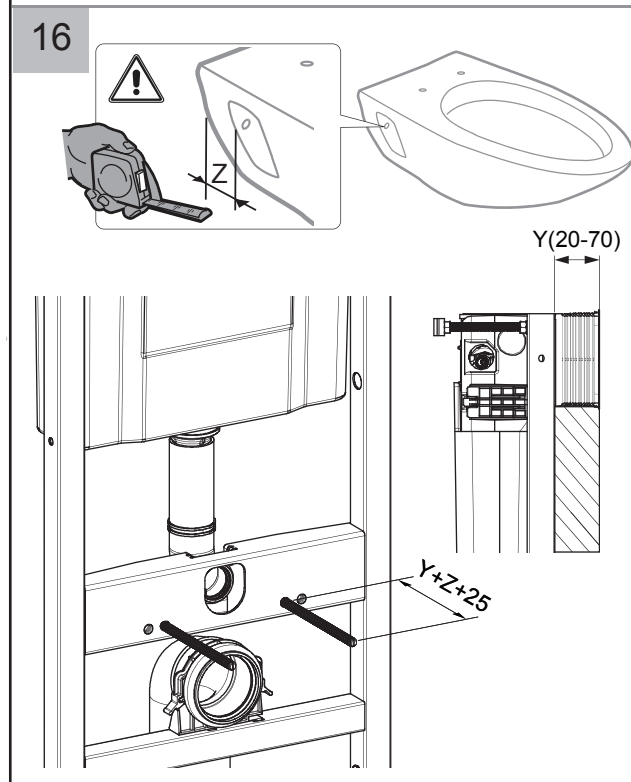
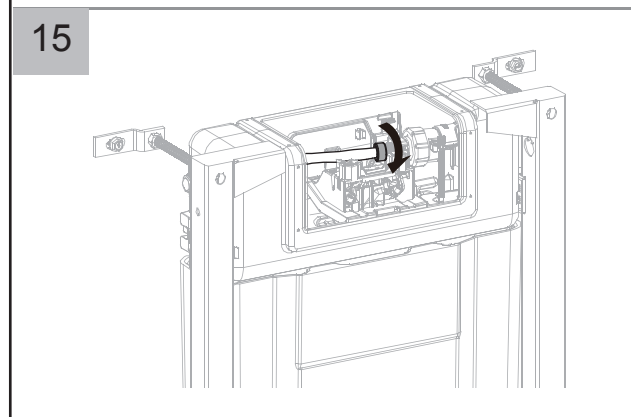
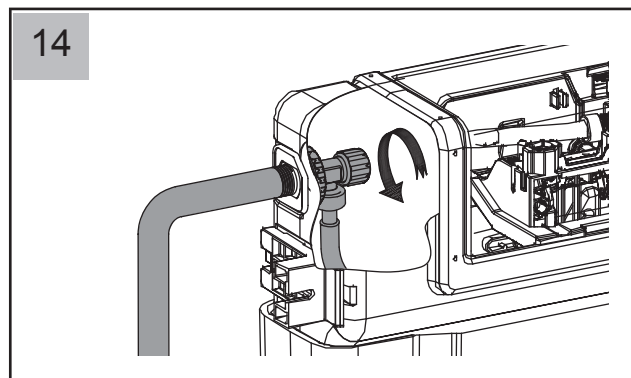
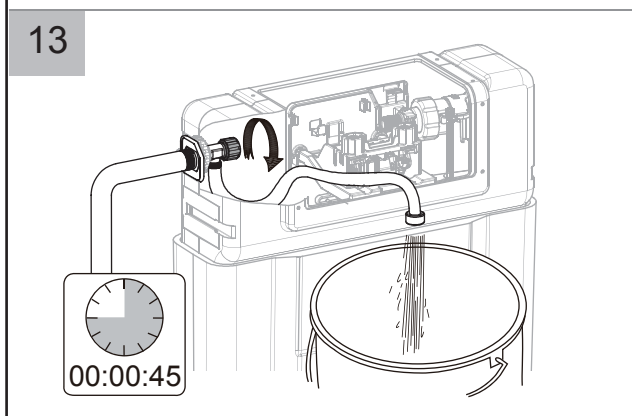
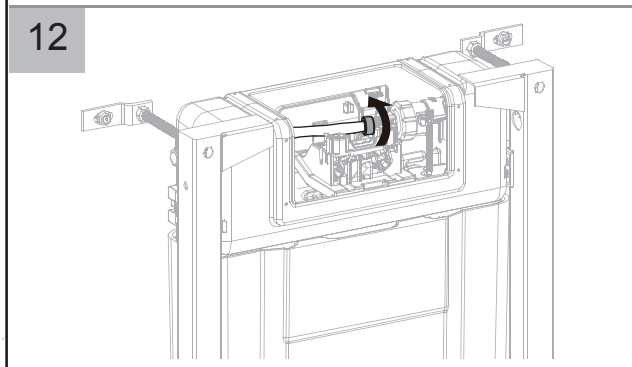
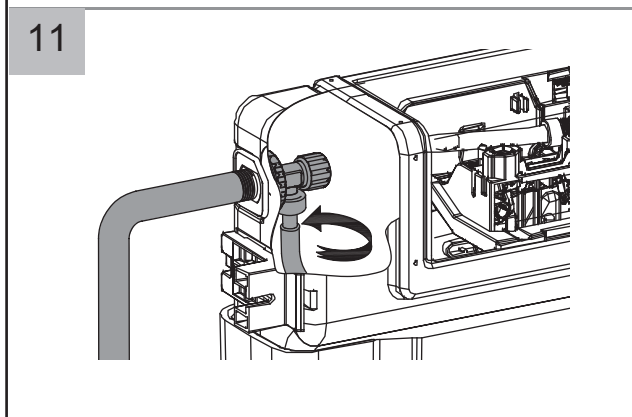
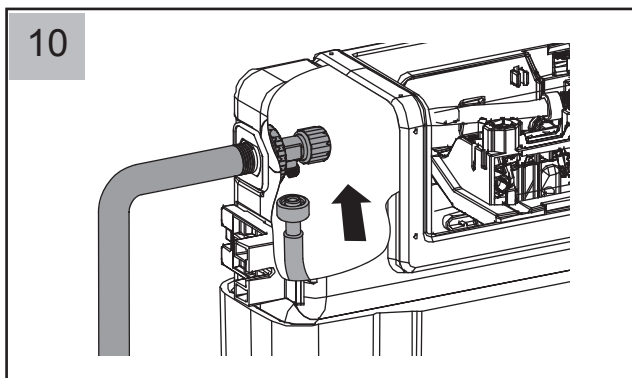
# Installation



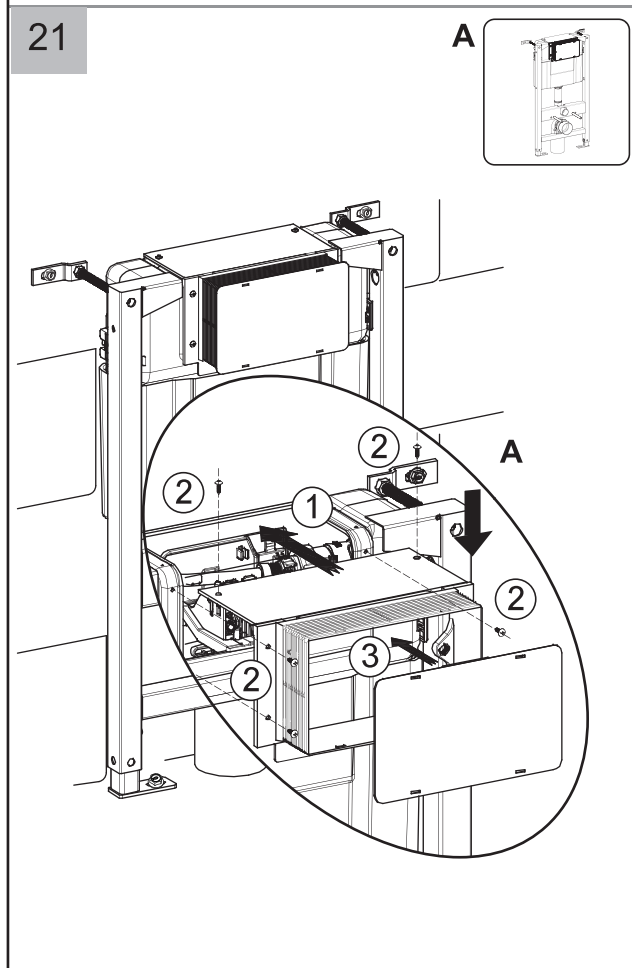
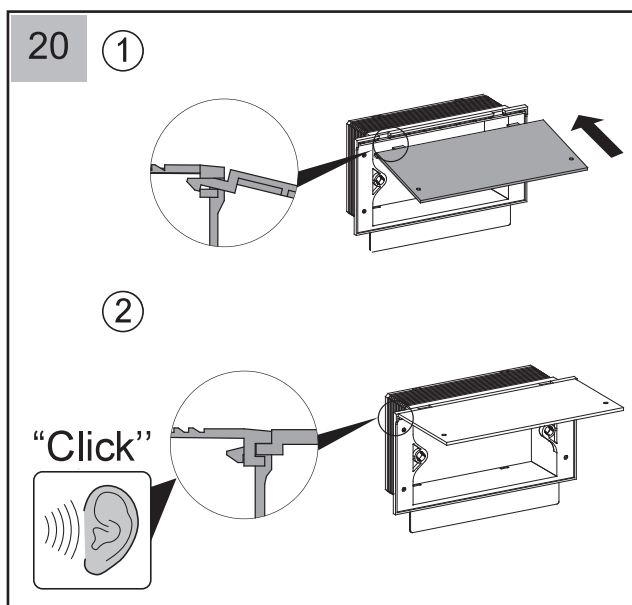
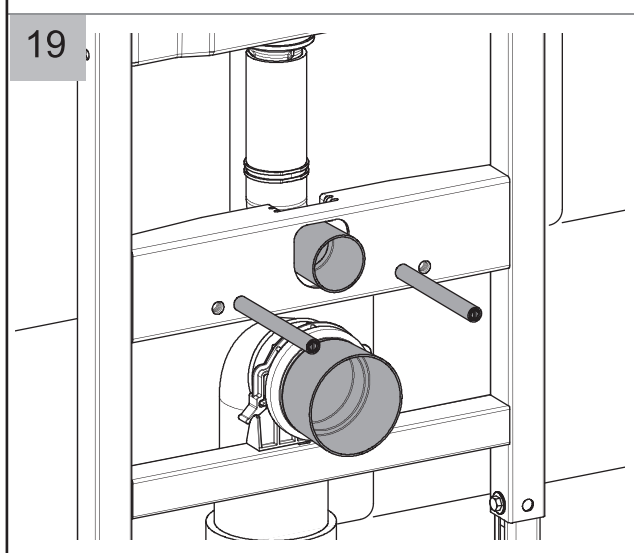
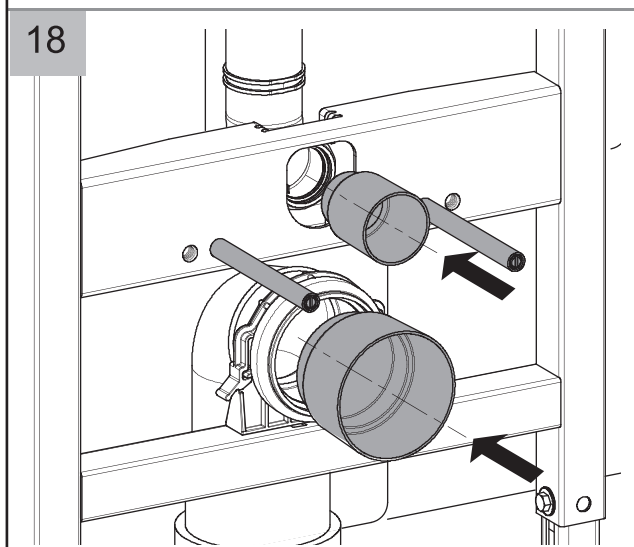
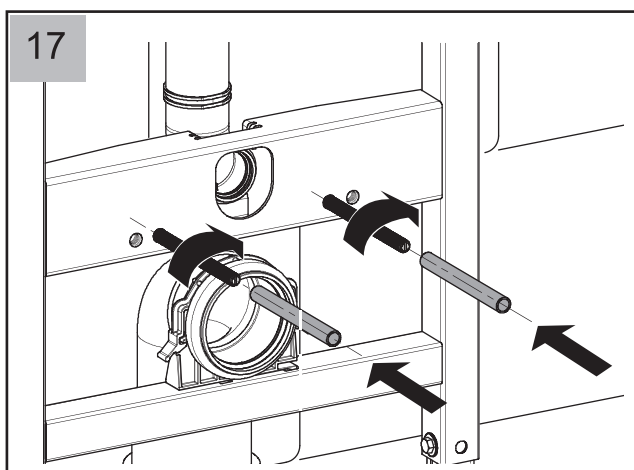
# Installation



# Installation

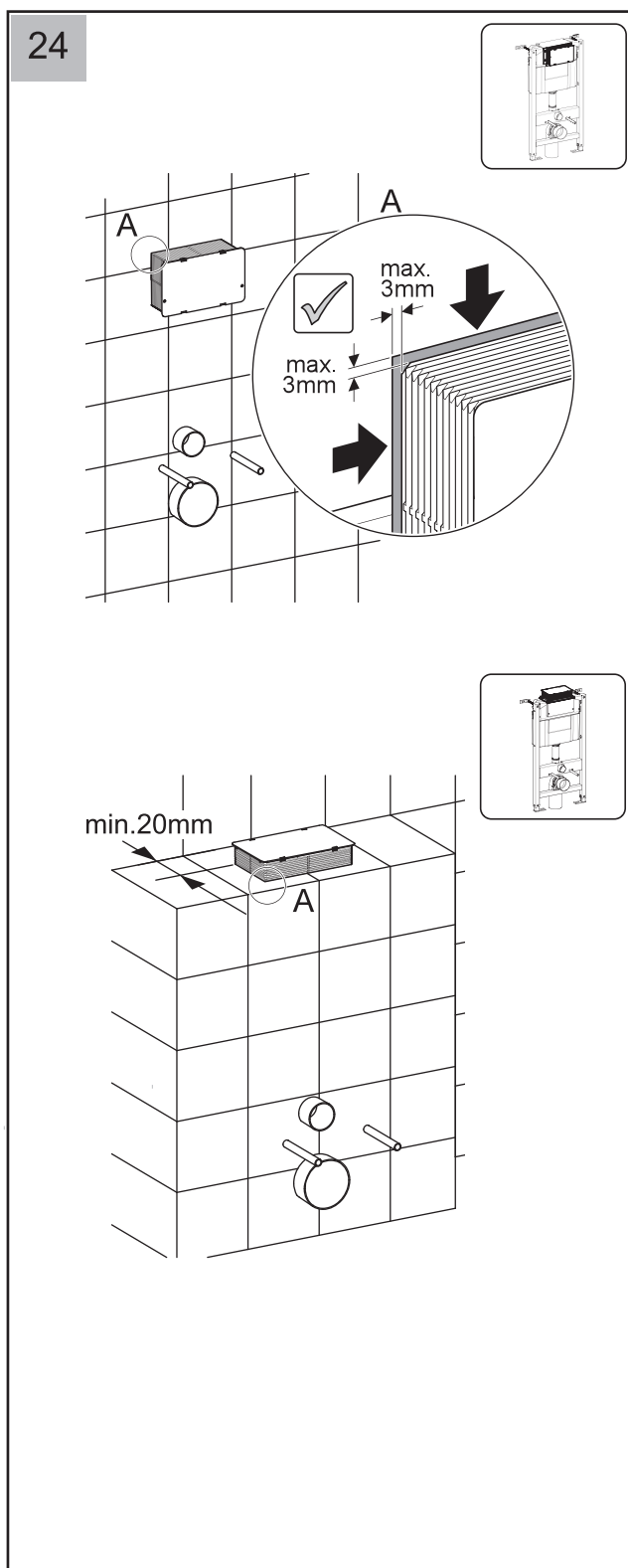
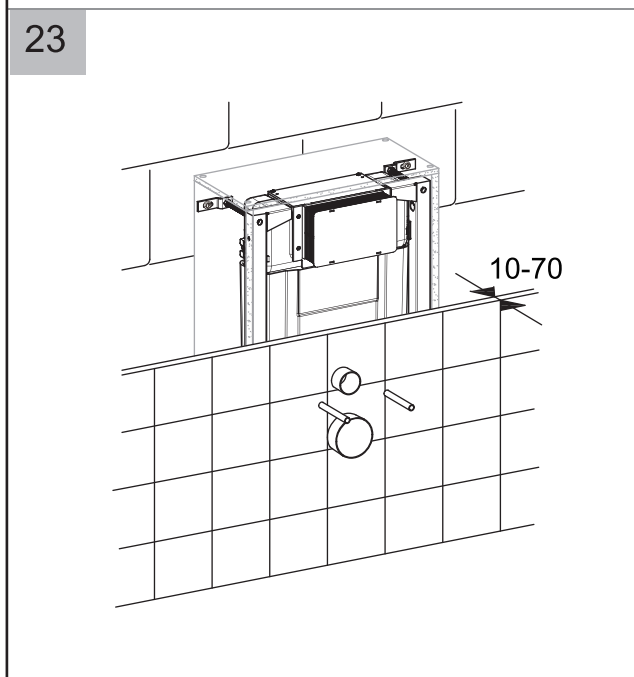
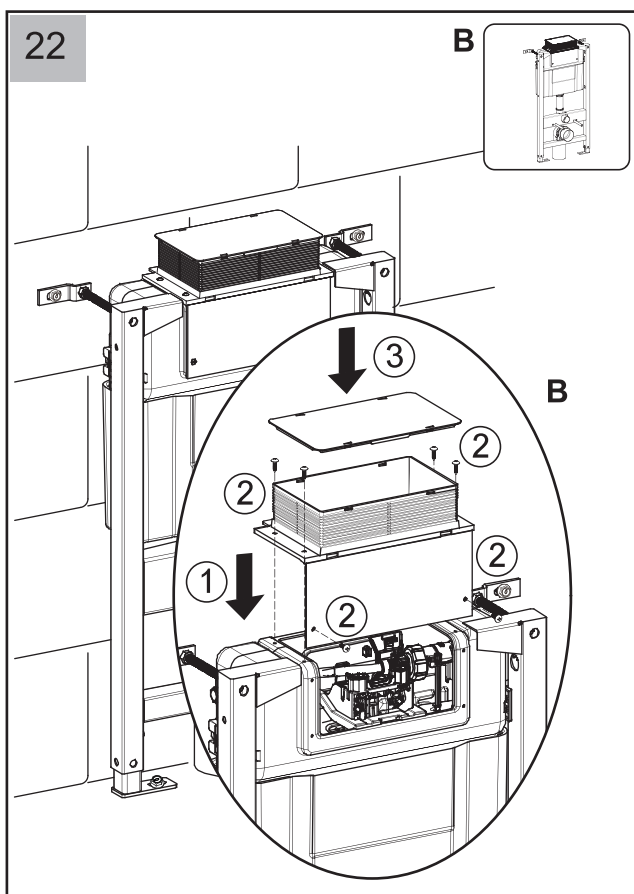


# Installation



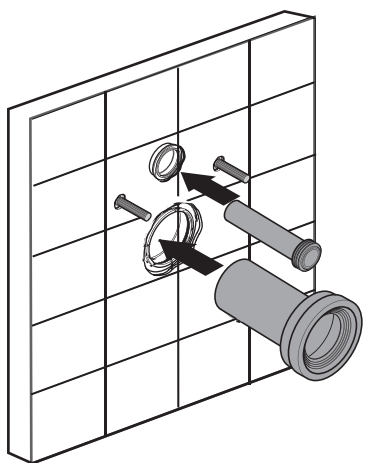


# Installation

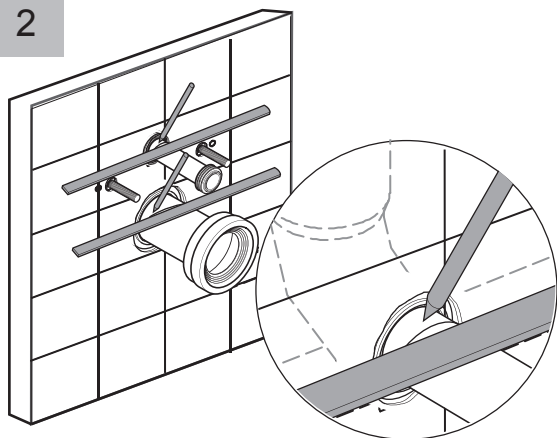


# Installation

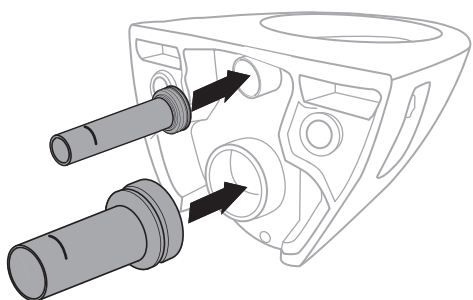
1



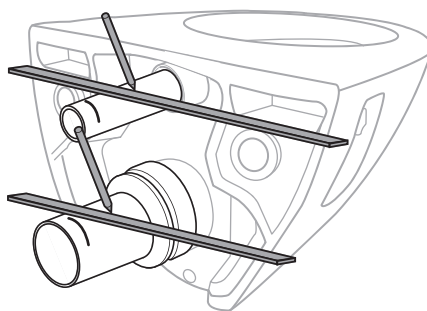
2



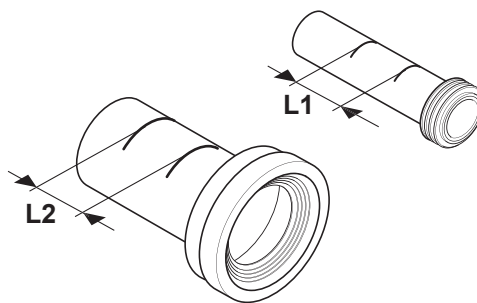
3



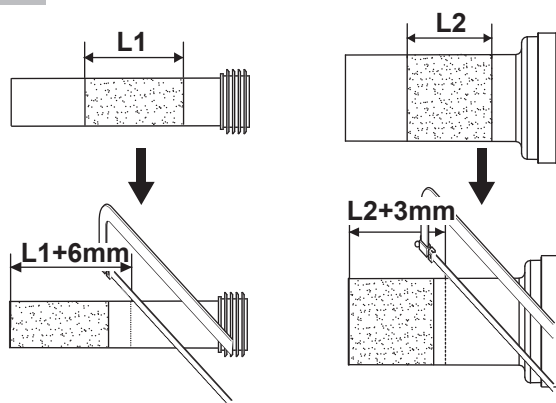
4



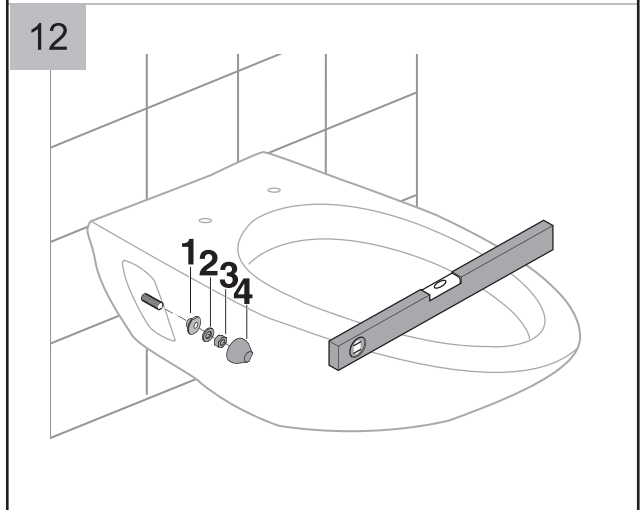
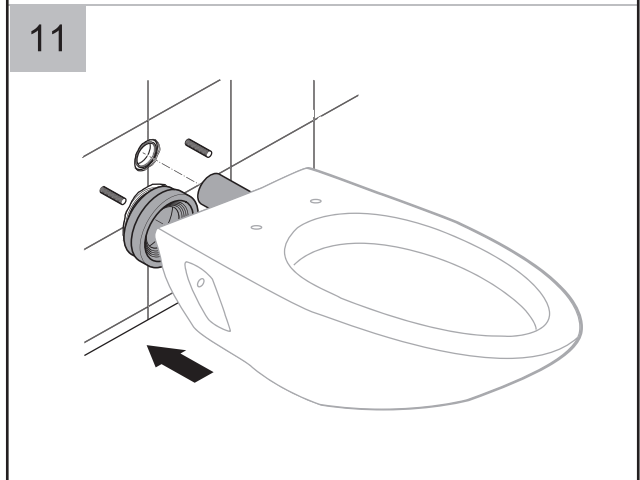
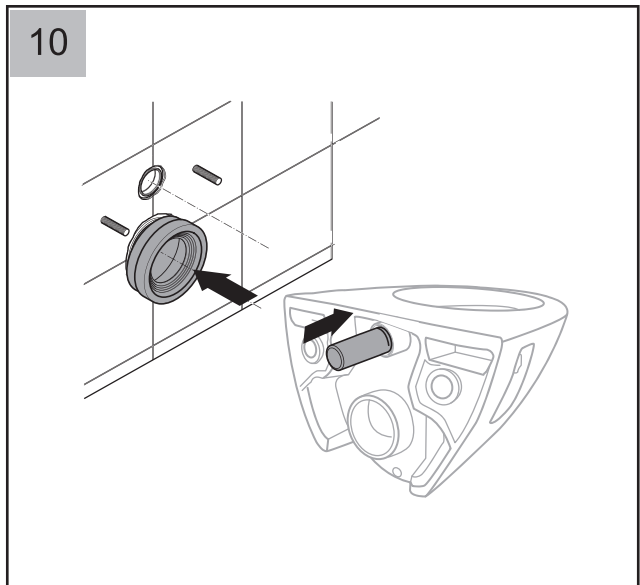
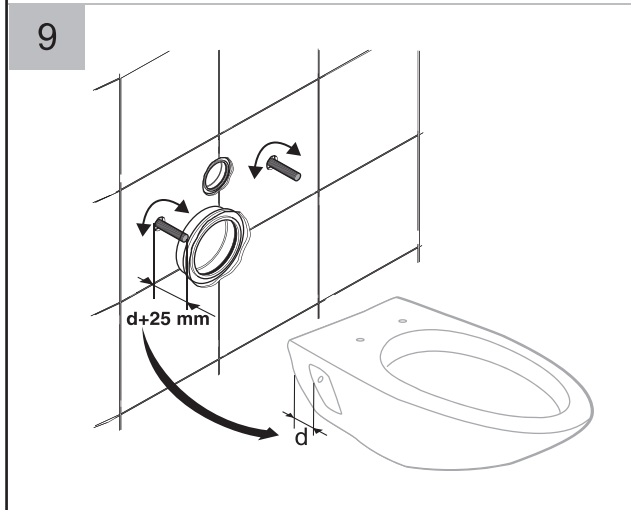
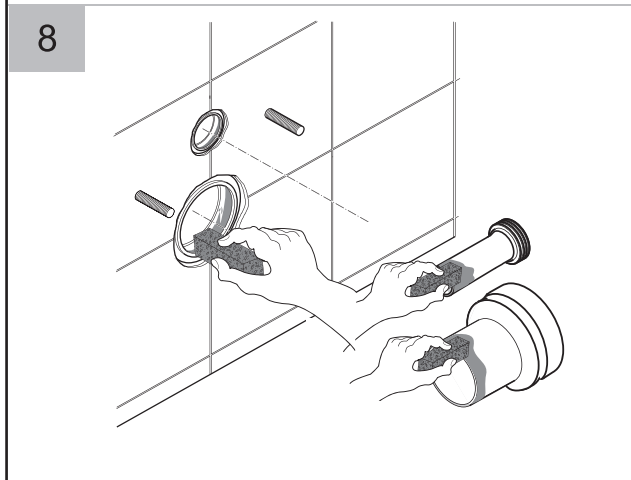
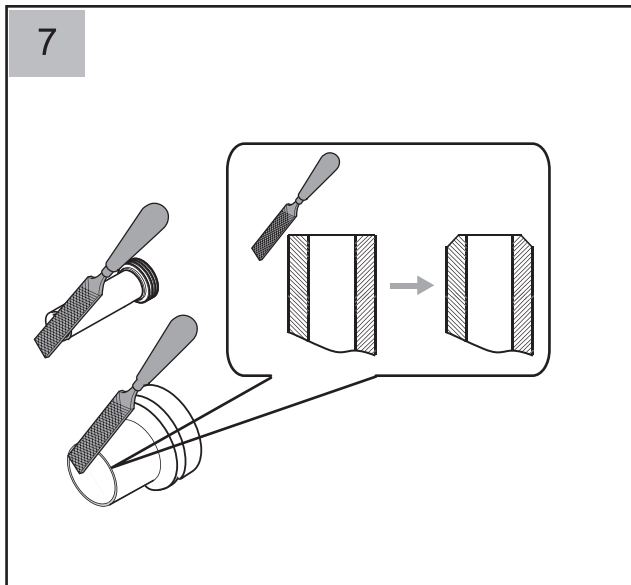
5



6



# Installation



For any further information please contact

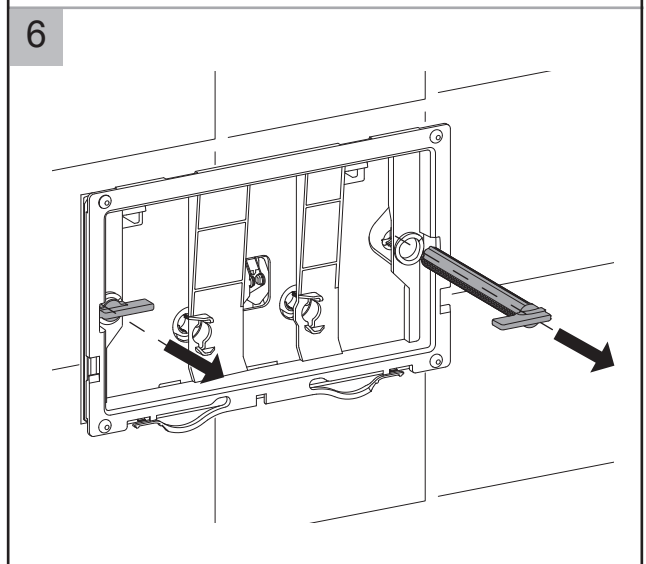
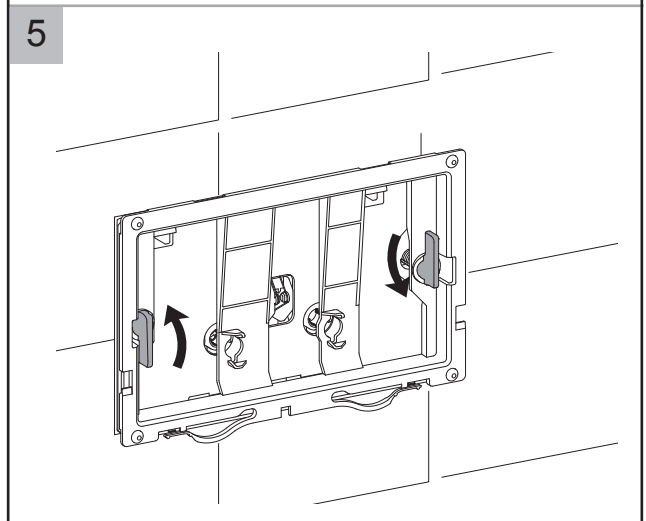
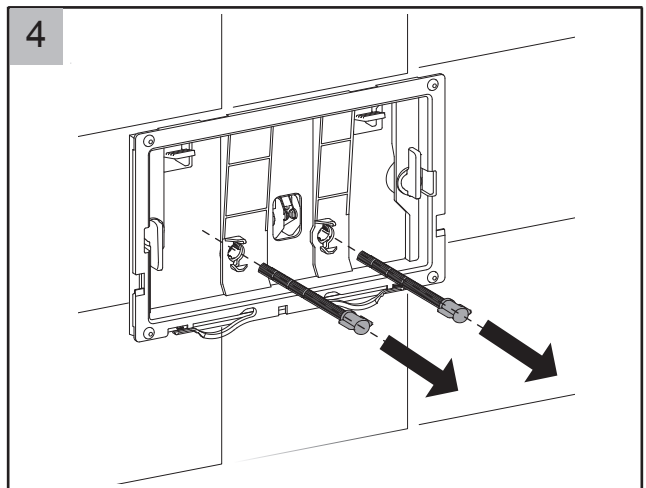
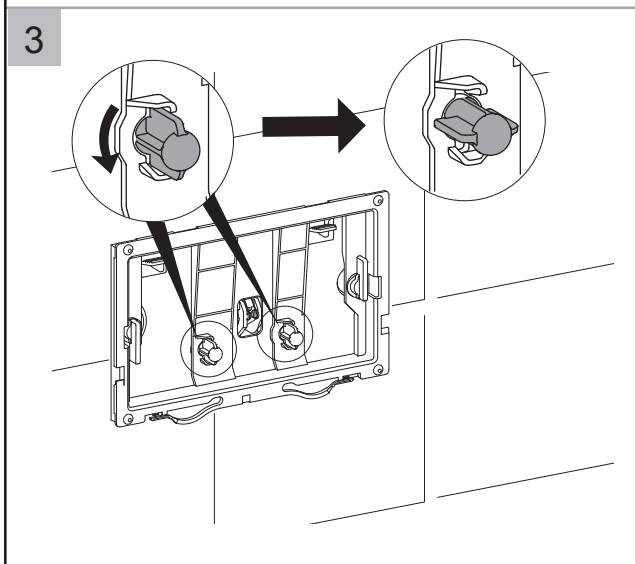
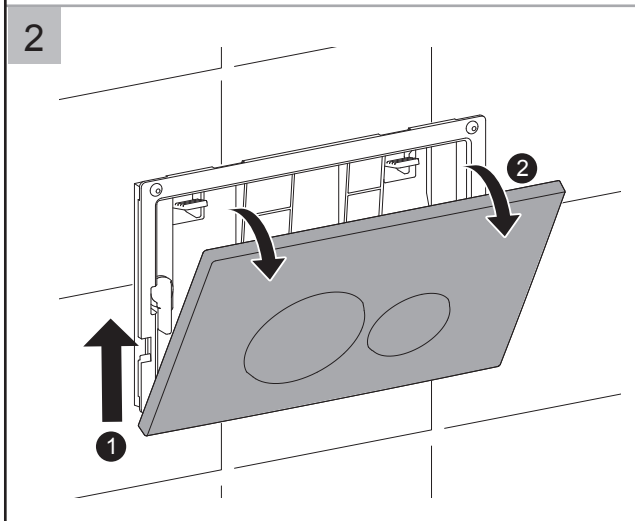
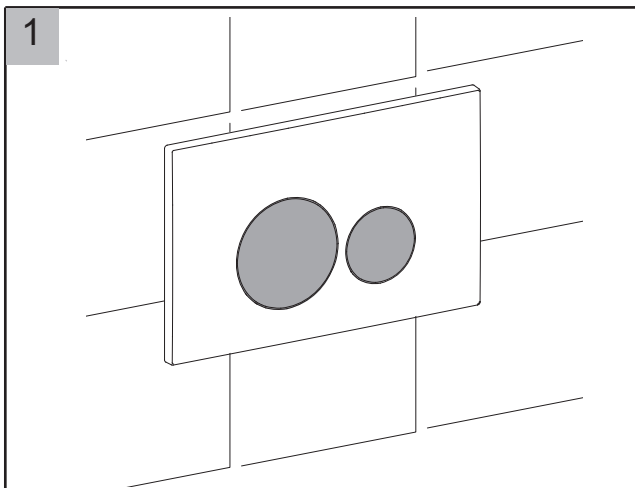
Crosswater on: **0345 873 8840**

Or visit our web-site at:

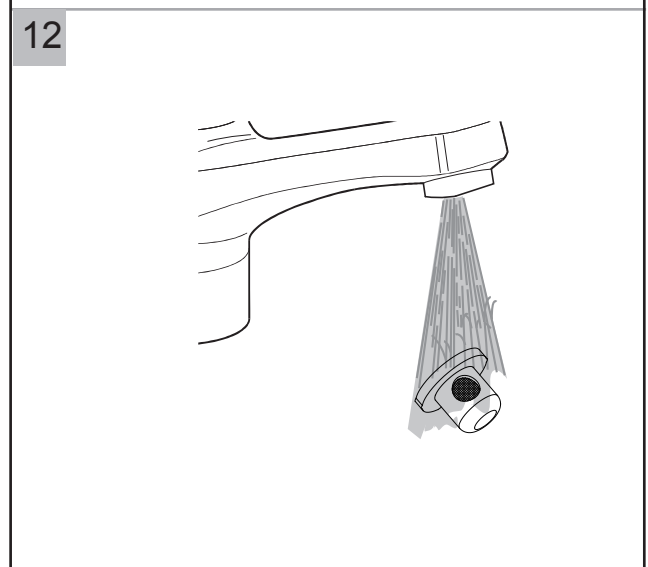
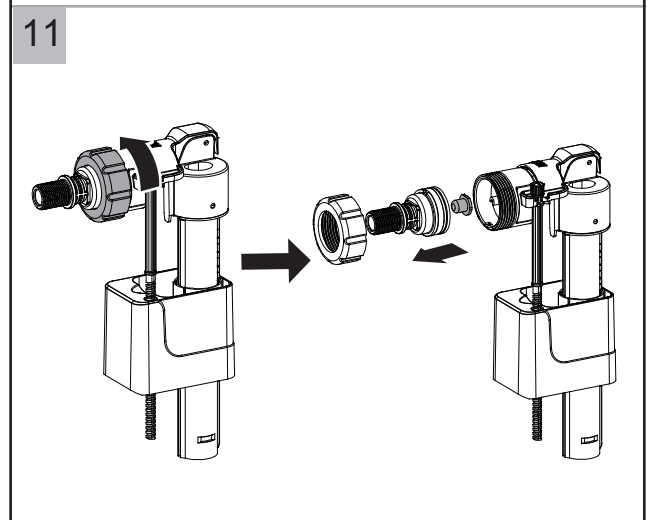
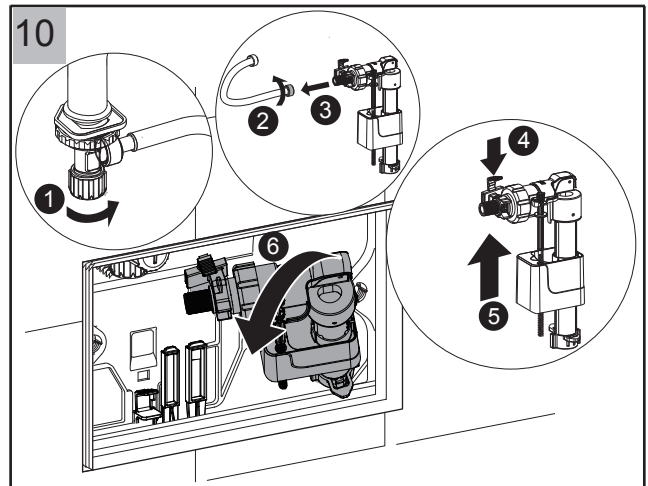
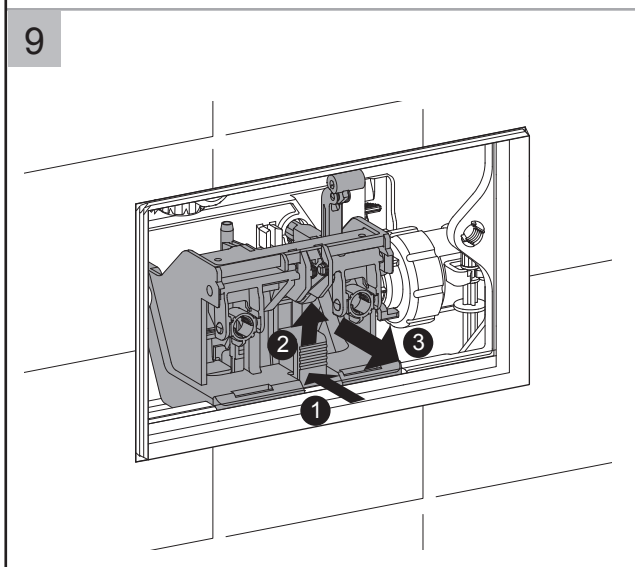
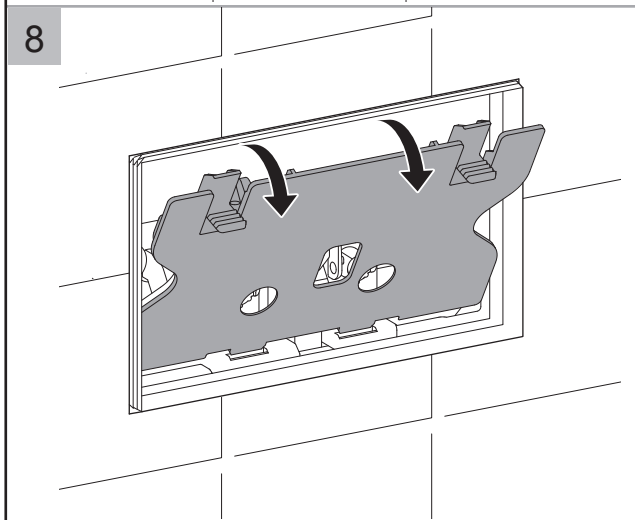
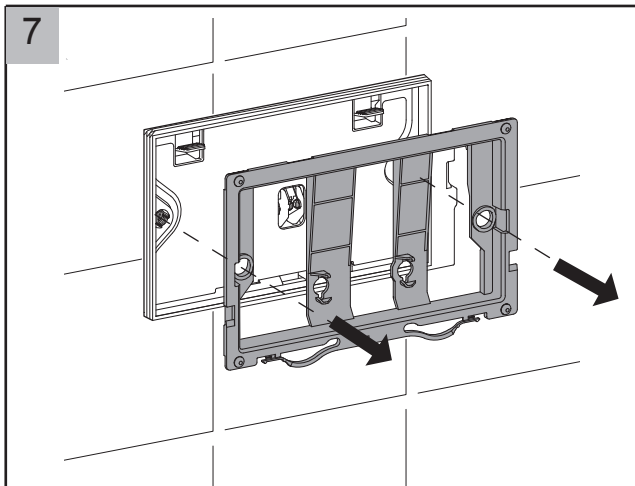
**[www.crosswater.co.uk](http://www.crosswater.co.uk)**

The manufacturer reserves the right to make technical modifications without prior notice.

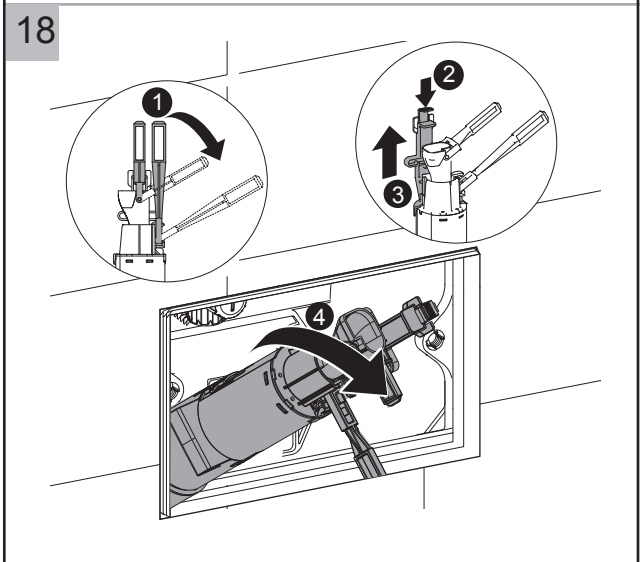
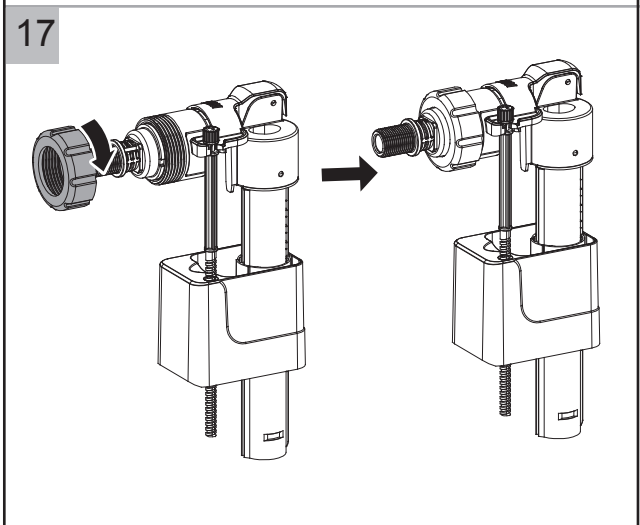
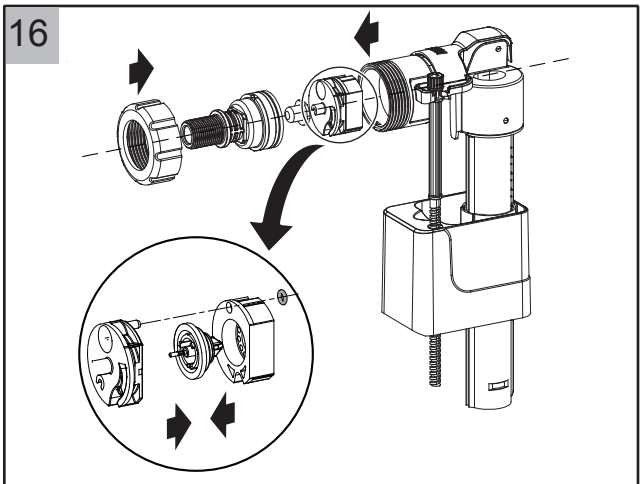
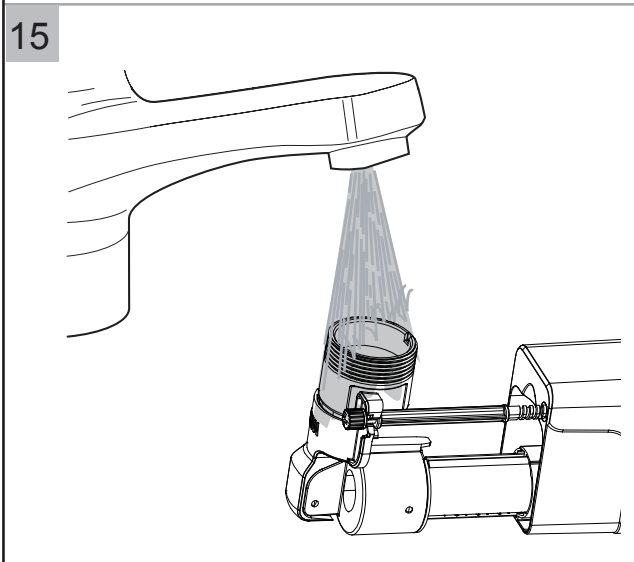
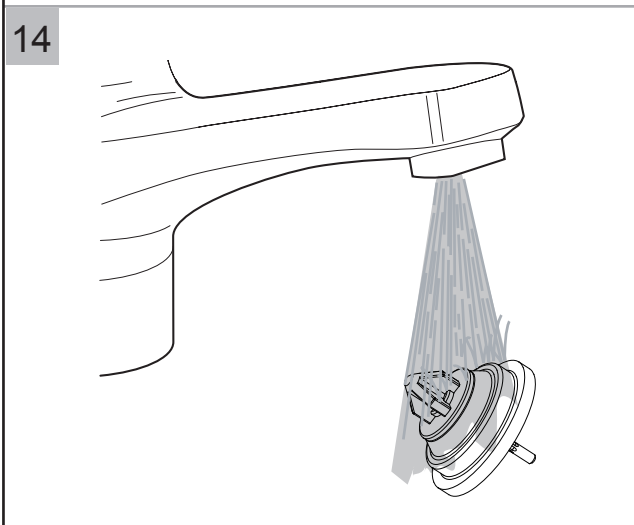
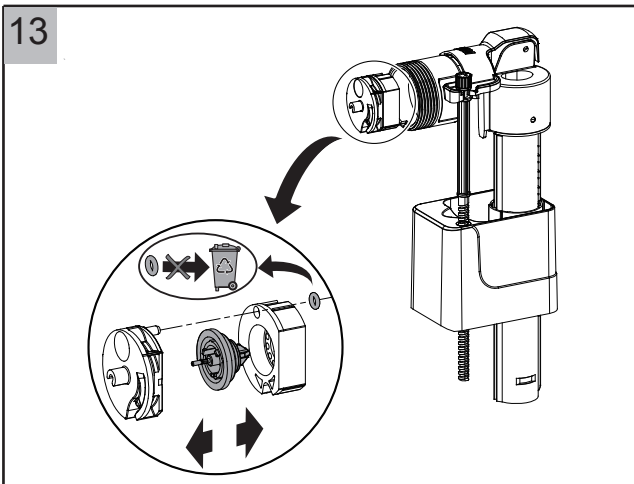
# Maintenance for Concealed Cisterns



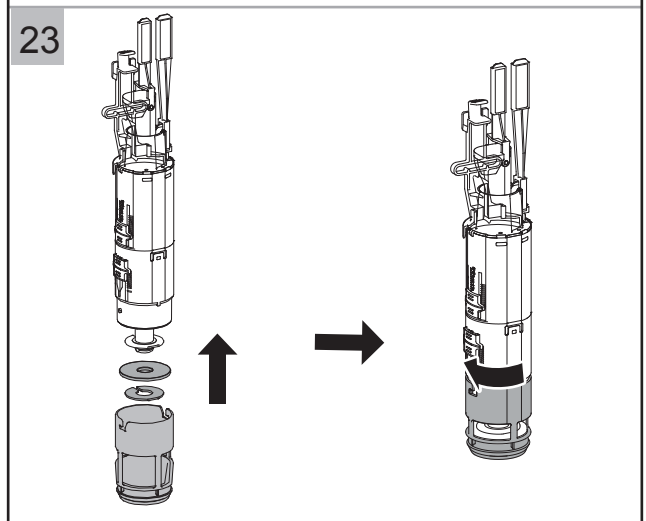
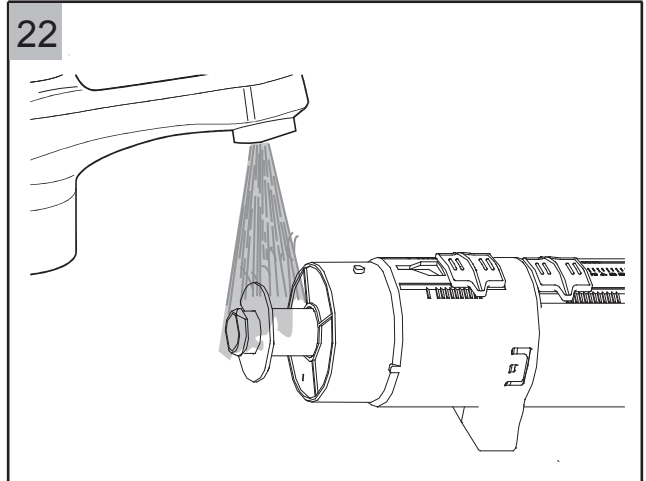
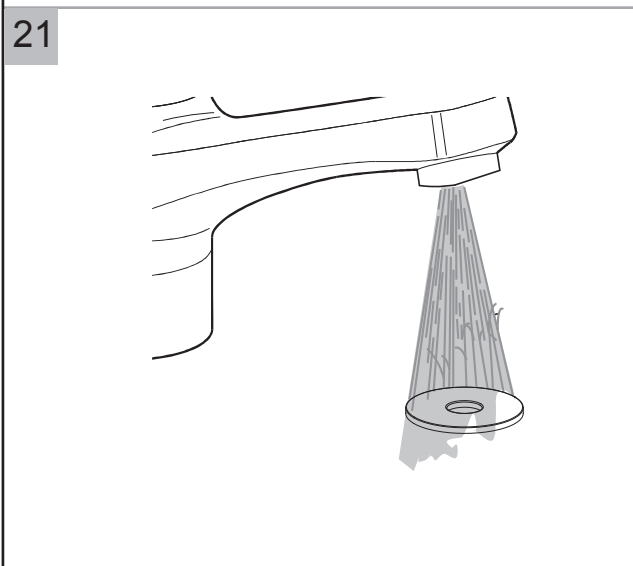
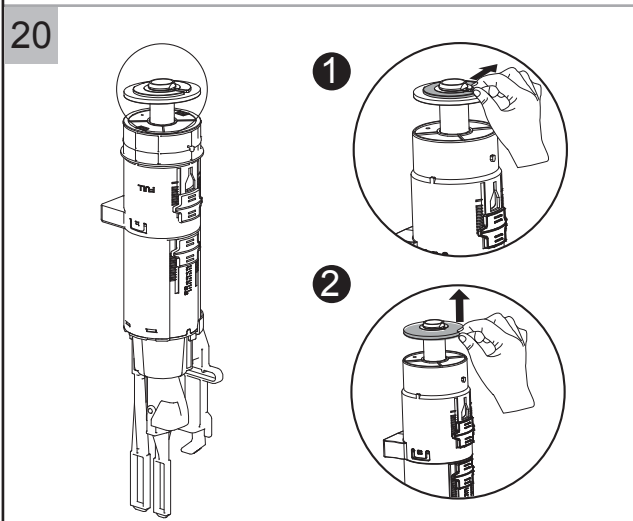
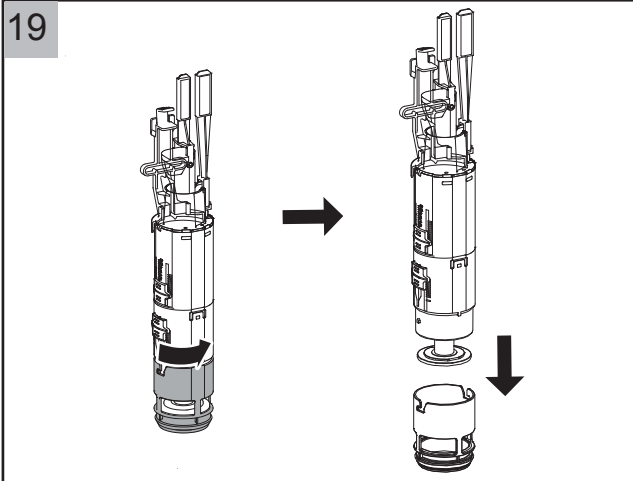
# Maintenance for Concealed Cisterns



# Maintenance for Concealed Cisterns

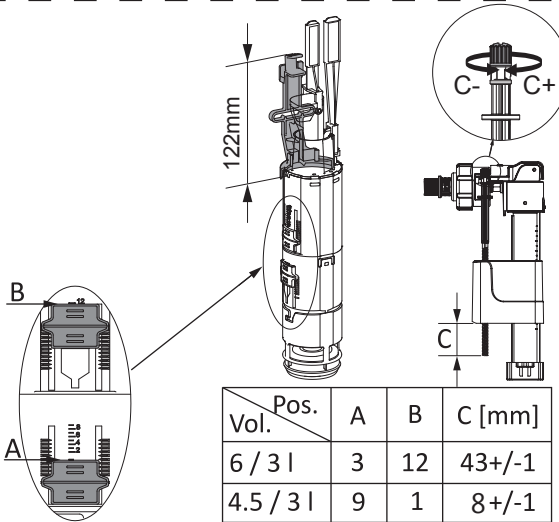
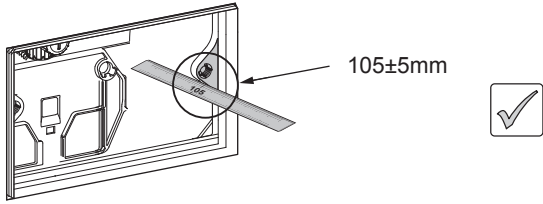


# Maintenance for Concealed Cisterns

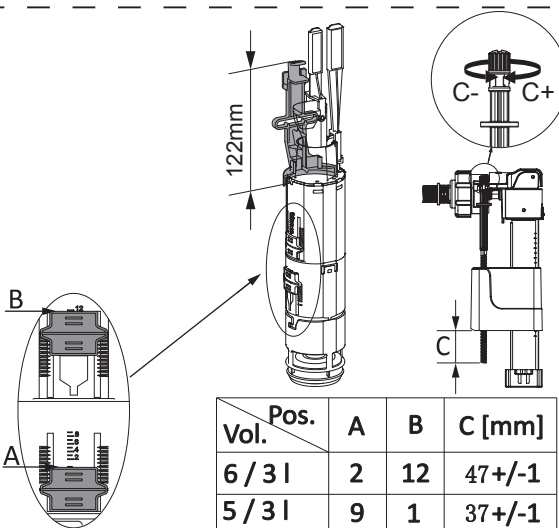
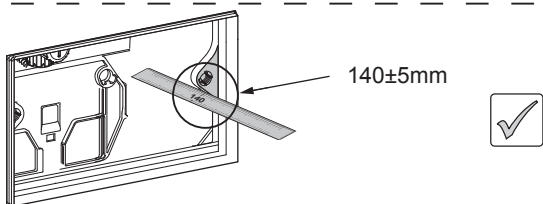


# Maintenance for Concealed Cisterns

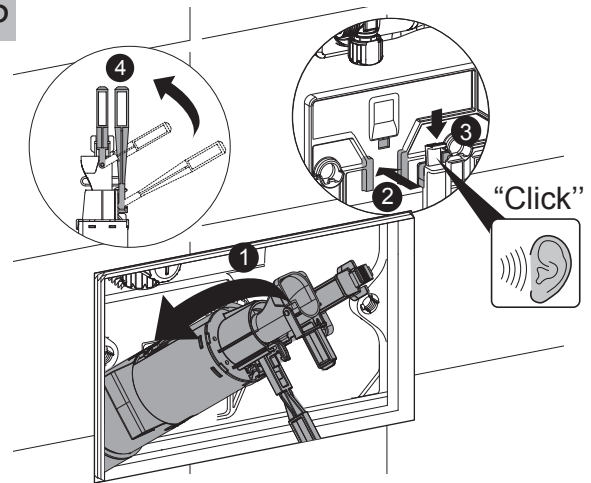
24



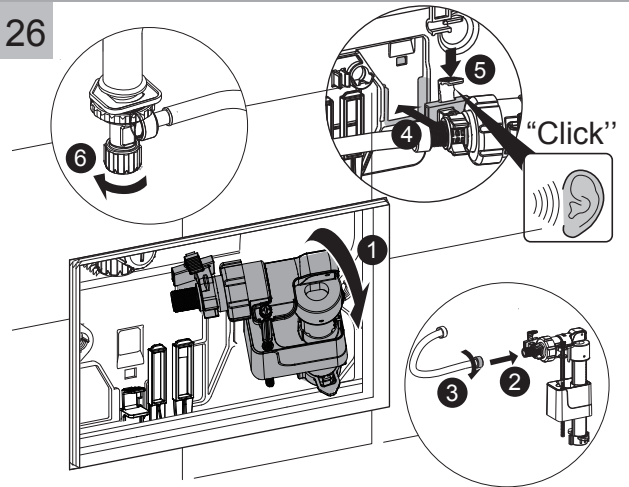
OR



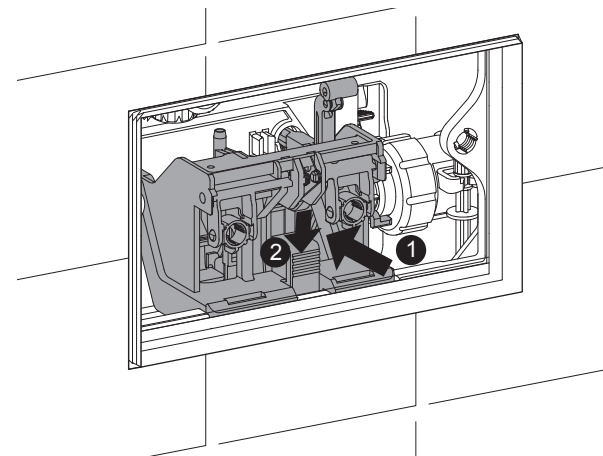
25



26

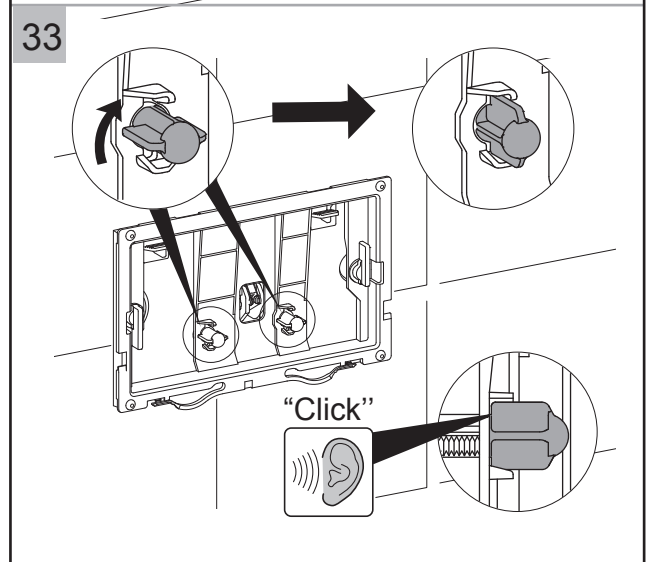
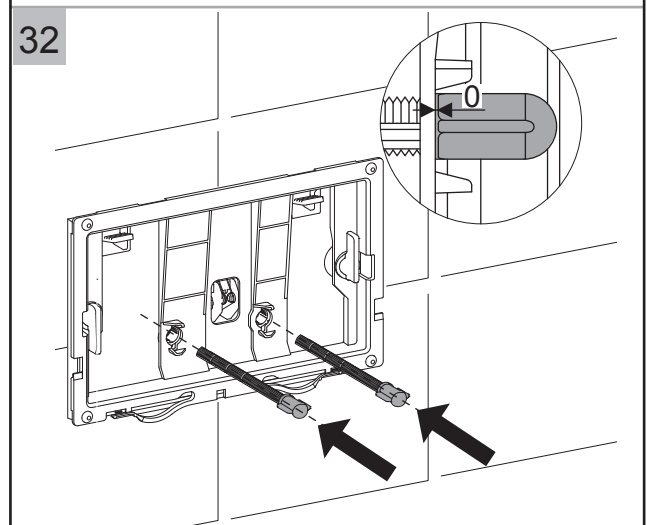
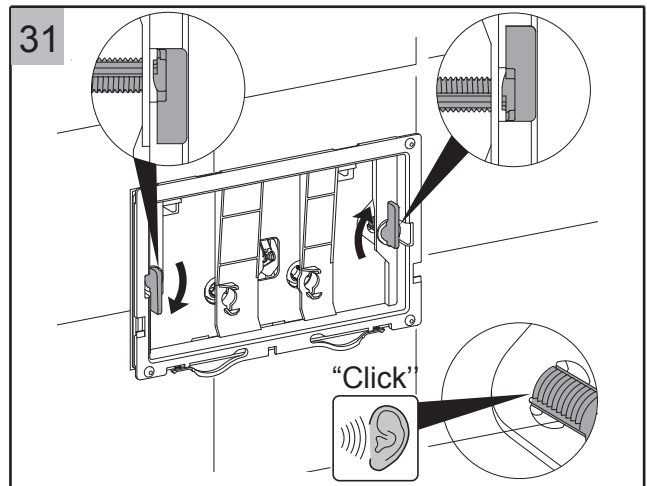
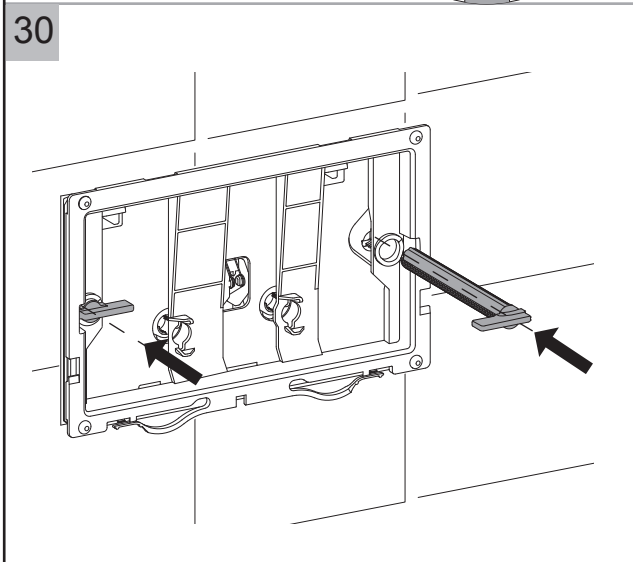
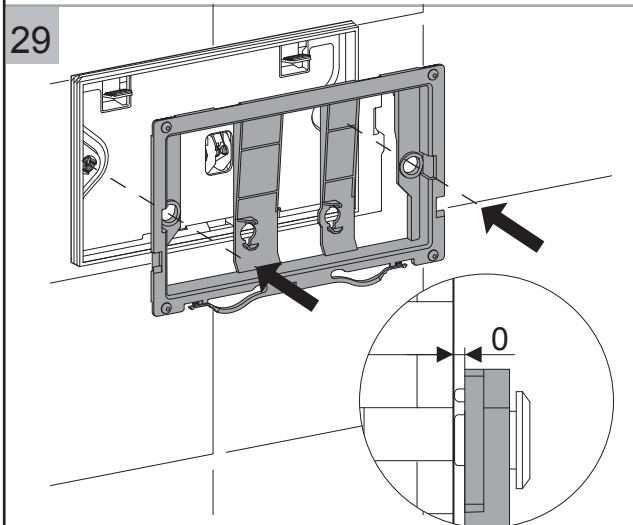
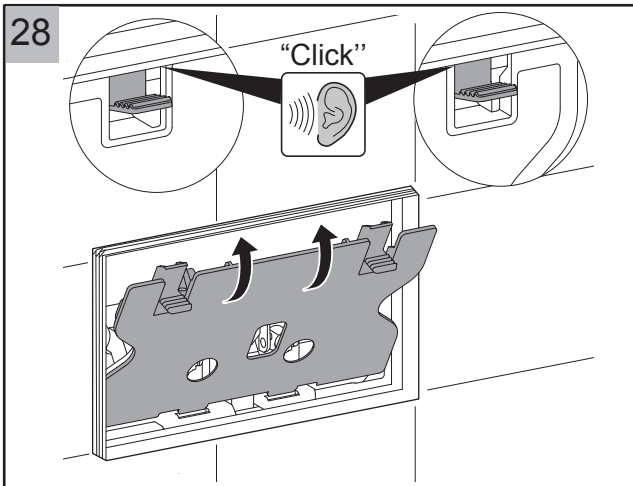


27

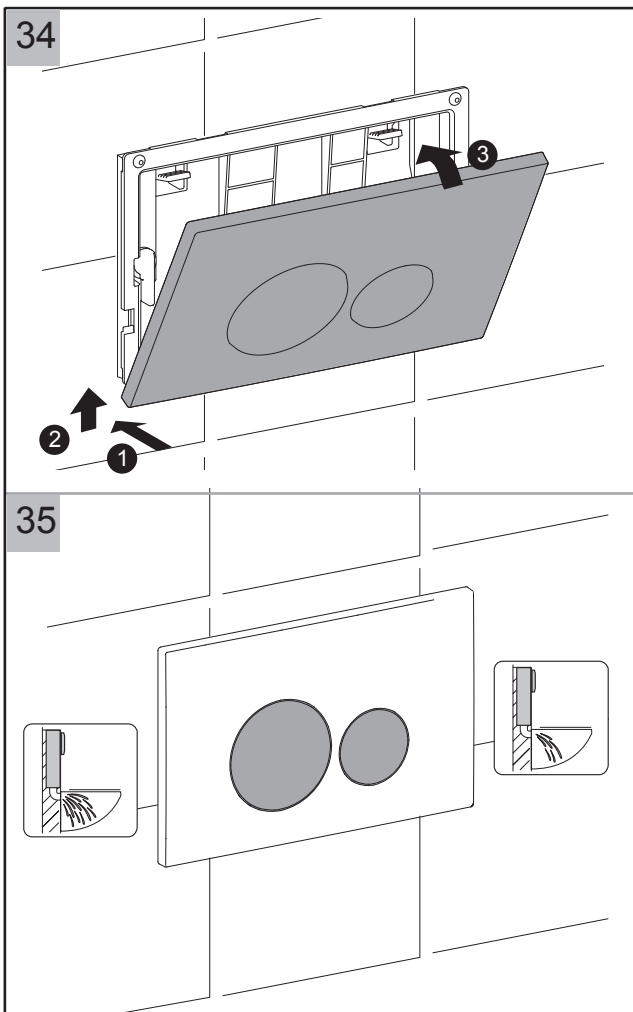




# Maintenance for Concealed Cisterns



# Maintenance for Concealed Cisterns



For any further information please contact

Crosswater on: **0345 873 8840**

Or visit our web-site at:

**[www.crosswater.co.uk](http://www.crosswater.co.uk)**