

Measurements in millimetres mm

Information updated May 2021

Tel 0345 873 8840

crosswater[™]

Castellon Mini Counter Basin

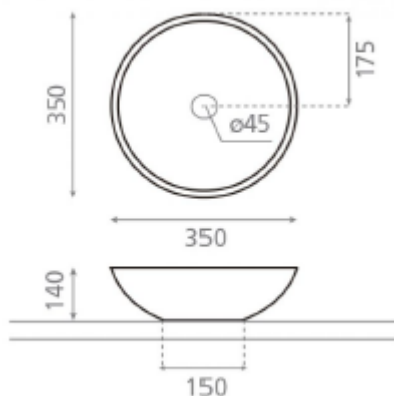


TECHNICAL DATA

CODE No	CT4015SCW
Compatible with:	Counter top installation only
Recommended use	Domestic, hotel, residential
Material	Vitreous China
Standards	BS EN 14688 – CL 0 BS EN31
Colour	White only
Specification	No tap hole Over flow, including chrome overflow cover
Fixing	Counter top only
Options:	Coloured Overflow cover OVFLOWMB, OVFLOWV OFLOWVF
Weight	4.1kg
Warranty	2 years (25 years when registered)

SPECIFICATION

Counter top basin
EN 31/EN 14688 – CL 0
Dimensions w 350Ø x h 140mm
Overflow



Sizes detailed could have a variation of about +/-5 % due to the changes to material characteristics during the firing processes. Exact measurements for individual installations can only be taken from the finished ceramic