

## INTRODUCTION

**Please read these instructions carefully and keep in a safe place for future reference.  
Use only the installation fittings supplied with the toilet.**

The installation must comply with regulations of the Local Water Authority as contained in their bylaws.

All products are manufactured using materials tested and approved under EN997-CL2-4.5/3I

These hints have been prepared for your guidance, you must exercise due care at all times.  
We do not accept responsibility for any problems that may occur through incorrect installation.

This product should only be fitted by a qualified plumber to NVQ (National Vocational Qualification) or SNVQ (Scottish National Vocational Qualification) Level 3. Should the installation be completed by a non-qualified person then the guarantee may be considered invalid. For a claim made under our warranty written certification of your installers credentials can be required.

For further information or to find a qualified installer in your area please visit the Institute of Plumbers website - [www.iphe.org.uk](http://www.iphe.org.uk)

## QUALIFICATIONS

At present, to be a plumber you need to follow the National Vocational Qualification (NVQ) route (Scottish National Vocational Qualification - SNVQ - in Scotland). These qualifications are made up of theory and practical work in the classroom/purpose built training facility and work based experience with a working plumber. Colleges should help students find a work placement, although many students organise it themselves.

The S/NVQ qualification works in levels. All recently qualified plumbers should hold S/NVQ Level 2 as basic with Level 3 as the preferred level. Level 2 will give you the foundation you need for a career in plumbing and teach you domestic plumbing to a satisfactory level. Level 3 is more comprehensive and deals with domestic, commercial and industrial plumbing along with aspects such as gas - if you want to one day set up your own business, this is the level to reach. The Institute of Plumbing and Heating Engineering, and the industry as a whole recommends that all plumbers reach a minimum of Level 3.

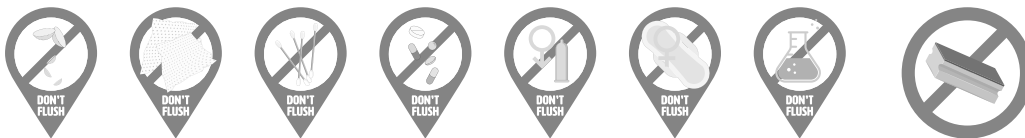
Reaching Level 3 has other advantages. The Institute runs a Master Plumber Certificate, which only those attaining Level 3 or equivalent can reach as long as they have the relevant experience as well. Those with S/NVQ Level 3 can (once in membership with the Institute for five years as a Member MIPHE) gain Engineering Technician EngTech status with the Engineering Council (UK).

### MAINTENANCE

We recommend for regular cleaning detergents specially designed to clean ceramic surfaces.

Do not use products which have not been tested and have not been recommended to use on ceramics, such as acids, corrosive and abrasive products. These can and will damage the ceramic.

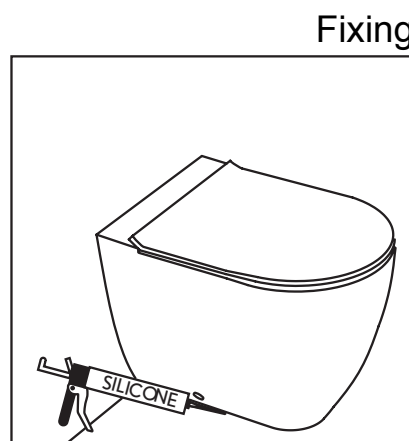
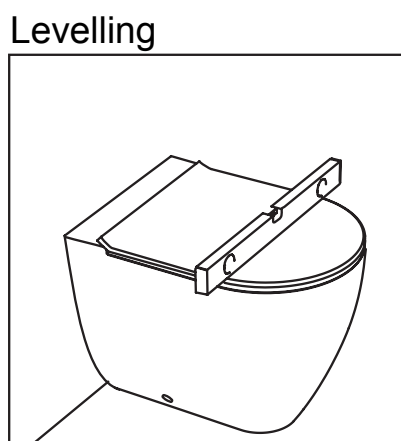
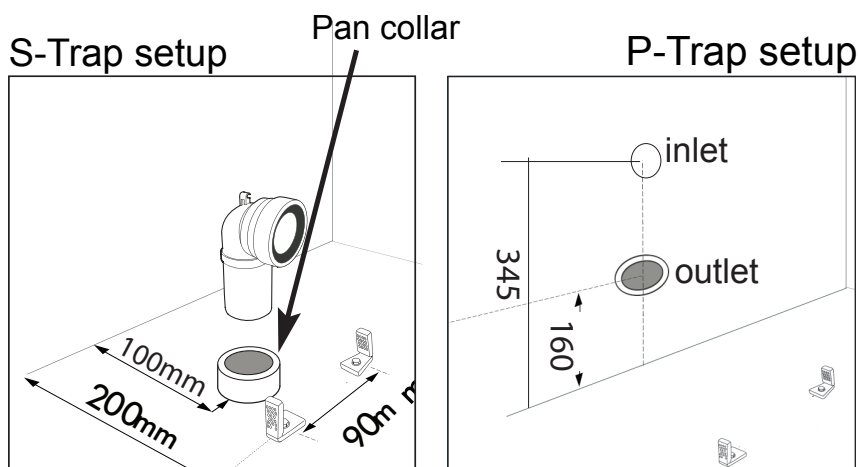
To remove or prevent the build up of limescale deposits, clean regularly. Any build up of limescale can be removed using a good quality limescale remover and a toilet cleaning brush. Important bleach will not remove limescale.



Do not use an abrasive cleaner

### INSTALLATION INSTRUCTIONS

All measurements for roughing in should be taken from finished wall and floor. Dimensions shown are nominal measurements only.



1. Mark positions of water inlet and waste outlet.
2. Mark out and drill floor bracket positions (90mm apart, 160mm from wall). If installing a S trap outlet mark out floor outlet position as detailed.
3. Align and push the WC back to the wall, connecting pan spigot into waste bend and WC inlet into pipe.
4. Check pan is level.
5. Fix pan by using the xing screws through the fixing holes into the floor brackets.
6. Flush pan to check connections for leaks.
7. Apply flexible sealant around base and rear of WC as shown, leave to dry for 24 hours before use.

**IMPORTANT**  
Set cistern flush to 4.5/3L

### INTRODUCTION

**Please read these instructions carefully and keep in a safe place for future reference.**

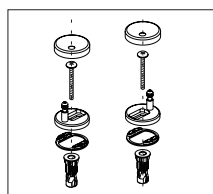
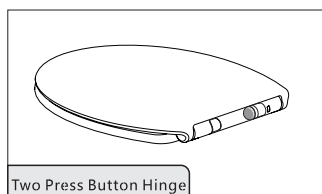
**Use only the installation fittings supplied with the toilet seat. The seat can be fitted after the WC is installed.**

These hints have been prepared for your guidance, you must exercise due care at all times.

We do not accept responsibility for any problems that may occur through incorrect installation.

This product should only be fitted by a qualified plumber to NVQ (National Vocational Qualification) or SNVQ (Scottish National Vocational Qualification) Level 3. Should the installation be completed by a non-qualified person then the guarantee may be considered invalid. For a claim made under our warranty written certification of your installers credentials can be required.

For further information or to find a qualified installer in your area please visit the Institute of Plumbers website - [www.iphe.org.uk](http://www.iphe.org.uk)



### TOOLS REQUIRED

**Please check all parts as listed are present.**

### QUALIFICATIONS

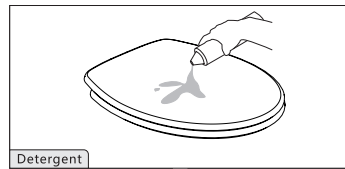
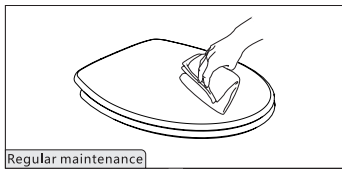
At present, to be a plumber you need to follow the National Vocational Qualification (NVQ) route (Scottish National Vocational Qualification - SNVQ - in Scotland). These qualifications are made up of theory and practical work in the classroom/purpose built training facility and work based experience with a working plumber. Colleges should help students find a work placement, although many students organise it themselves.

The S/NVQ qualification works in levels. All recently qualified plumbers should hold S/NVQ Level 2 as basic with Level 3 as the preferred level. Level 2 will give you the foundation you need for a career in plumbing and teach you domestic plumbing to a satisfactory level. Level 3 is more comprehensive and deals with domestic, commercial and industrial plumbing along with aspects such as gas - if you want to one day set up your own business, this is the level to reach. The Institute of Plumbing and Heating Engineering, and the industry as a whole recommends that all plumbers reach a minimum of Level 3.

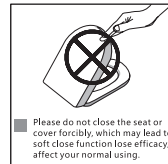
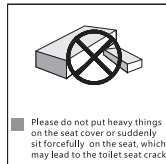
Reaching Level 3 has other advantages. The Institute runs a Master Plumber Certificate, which only those attaining Level 3 or equivalent can reach as long as they have the relevant experience as well. Those with S/NVQ Level 3 can (once in membership with the Institute for five years as a Member MIPHE) gain Engineering Technician EngTech status with the Engineering Council (UK).

### MAINTENANCE

Attention: Be careful the damage of toilet seat. Don't stand on the toilet seat, overloading may lead to toilet seat crushing or hinges broken.



#### Cautions



- Please clean the toilet seat with mild cleanser (such as soap water) and warm water, then dry it with clean soft cloth.
- Don't use the high-concentration detergent to clean, which may scratch the surface of the toilet seat and make the toilet seat tarnish.
- Please immediately wipe dry any foam on the surface of plastic toilet seat or electroplating cover.
- Don't clean the toilet seat with abrasive powder.
- Avoid using any disinfectant, detergent or any other spraying cleanser.
- Keep the toilet seat away from chemicals and cosmetics in bathroom.

### INSTALLATION INSTRUCTIONS

Before installation, please check all spare parts are ready and match. All the fittings are workable for installation, takes material objects as the standard.

